

US00D861043S

(12) **United States Design Patent** (10) **Patent No.:** **US D861,043 S**
Suwabe et al. (45) **Date of Patent:** **** Sep. 24, 2019**

(54) **DIAPHRAGM PUMP**
(71) Applicant: **YAMADA CORPORATION**, Tokyo (JP)
(72) Inventors: **Satoru Suwabe**, Tokyo (JP); **Kotaro Yamada**, Tokyo (JP)
(73) Assignee: **YAMADA CORPORATION**, Tokyo (JP)
(**) Term: **15 Years**

D370,488 S * 6/1996 Kozumplik, Jr. D15/7
D380,218 S * 6/1997 McKee D15/7
D400,210 S * 10/1998 Reynolds D15/7
D435,855 S * 1/2001 Donelson D15/7
D484,145 S * 12/2003 Roberts D15/7
D515,101 S * 2/2006 Wiechers D15/7
D667,465 S * 9/2012 Headley D15/7
D675,231 S * 1/2013 Headley D15/7
D682,316 S * 5/2013 Rogne D15/7
D692,923 S * 11/2013 Conrad D15/7
D746,872 S * 1/2016 Davis D15/7
D746,873 S * 1/2016 Davis D15/7
D746,874 S * 1/2016 Davis D15/7

(Continued)

(21) Appl. No.: **35/504,359**

(22) Filed: **Jul. 20, 2017**

(80) **Hague Agreement Data**

Int. Filing Date: **Jul. 20, 2017**
Int. Reg. No.: **DM/097276**
Int. Reg. Date: **Jul. 20, 2017**
Int. Reg. Pub. Date: **Jan. 26, 2018**

(30) **Foreign Application Priority Data**

Feb. 1, 2017 (JP) 2017-001812

(51) **LOC (12) Cl.** **15-02**

(52) **U.S. Cl.**
USPC **D15/7**
CPC **F02M 37/04 (2013.01)**

(58) **Field of Classification Search**
USPC D15/7-9; D23/231, 232, 225;
417/355-363, 235, 265, 321, 410.1, 415,
417/416, 405, 900; 60/408-412;
184/28-37; 415/140-147; 123/495, 509;
137/365.34
CPC F02M 37/04; F02M 37/14
See application file for complete search history.

(56) **References Cited**

U.S. PATENT DOCUMENTS

D268,413 S * 3/1983 Wilden D15/7
D294,947 S * 3/1988 Wilden D15/7

FOREIGN PATENT DOCUMENTS

IN 242292 9/2012
IN 2420003 9/2012

(Continued)

OTHER PUBLICATIONS

Indian Office Action for Design Application No. 296190 dated Aug. 28, 2017.

Primary Examiner — Richard E Chilcot
(74) *Attorney, Agent, or Firm* — Birch, Stewart, Kolasch & Birch, LLP

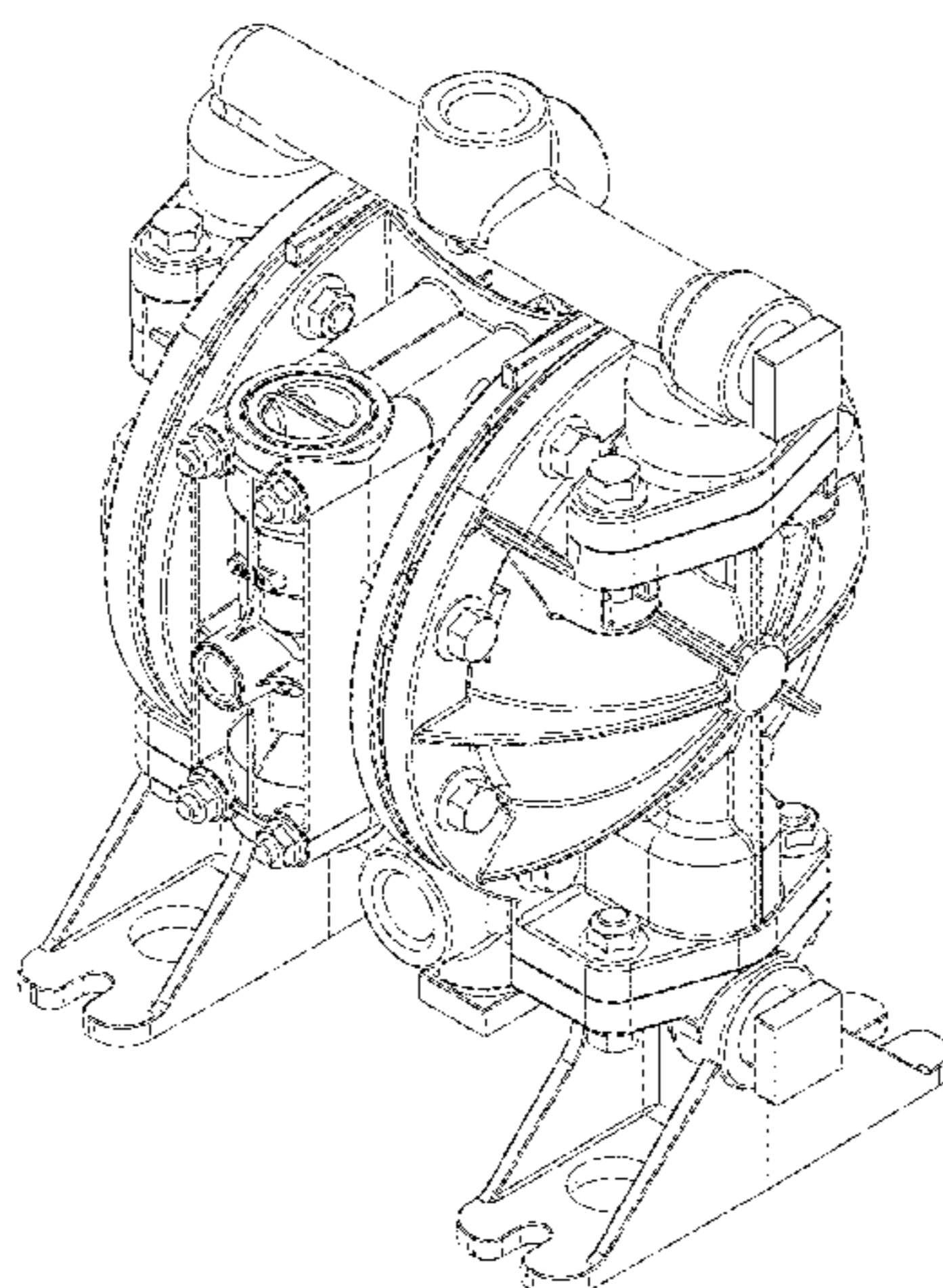
(57) **CLAIM**

The ornamental design for a diaphragm pump, as shown and described.

DESCRIPTION

- 1. Diaphragm pump
- 1.1 : Front
- 1.2 : Back
- 1.3 : Right
- 1.4 : Left
- 1.5 : Top
- 1.6 : Bottom
- 1.7 : Perspective
- 1.8 : Perspective

1 Claim, 8 Drawing Sheets



(56)

References Cited

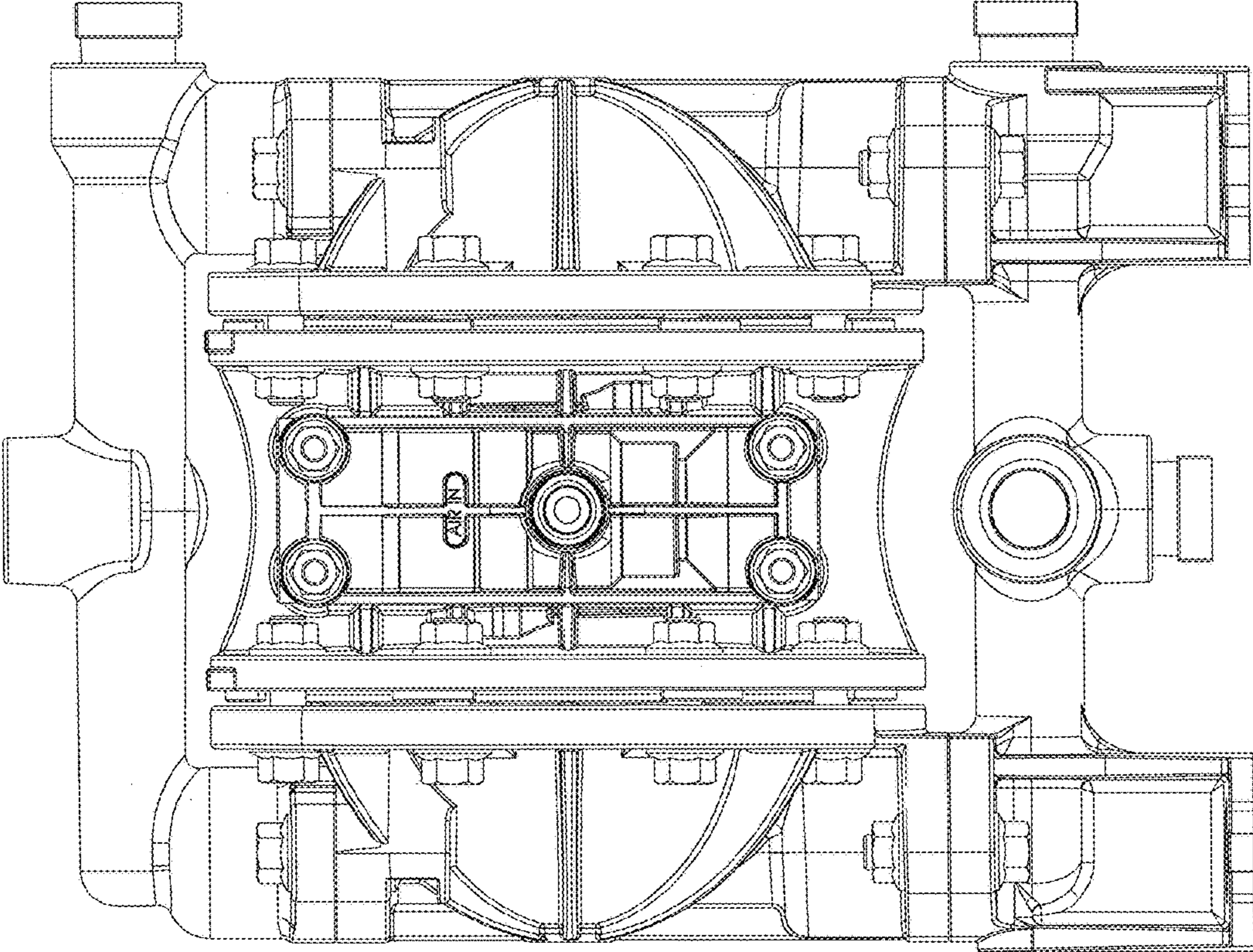
U.S. PATENT DOCUMENTS

D747,362 S *	1/2016	Davis	D15/7
D771,714 S *	11/2016	Hines	D15/7
D780,227 S *	2/2017	Hines	D15/7
D781,922 S *	3/2017	Suwabe	D15/7
D781,923 S *	3/2017	Suwabe	D15/7
D781,924 S *	3/2017	Araki	D15/7
D782,541 S *	3/2017	Hines	D15/7
D797,154 S *	9/2017	Fujiwara	D15/7
D817,360 S *	5/2018	Dietzsch	D15/7
D822,067 S *	7/2018	Hines	D15/7
D822,719 S *	7/2018	Hines	D15/7
D822,720 S *	7/2018	Hines	D15/7

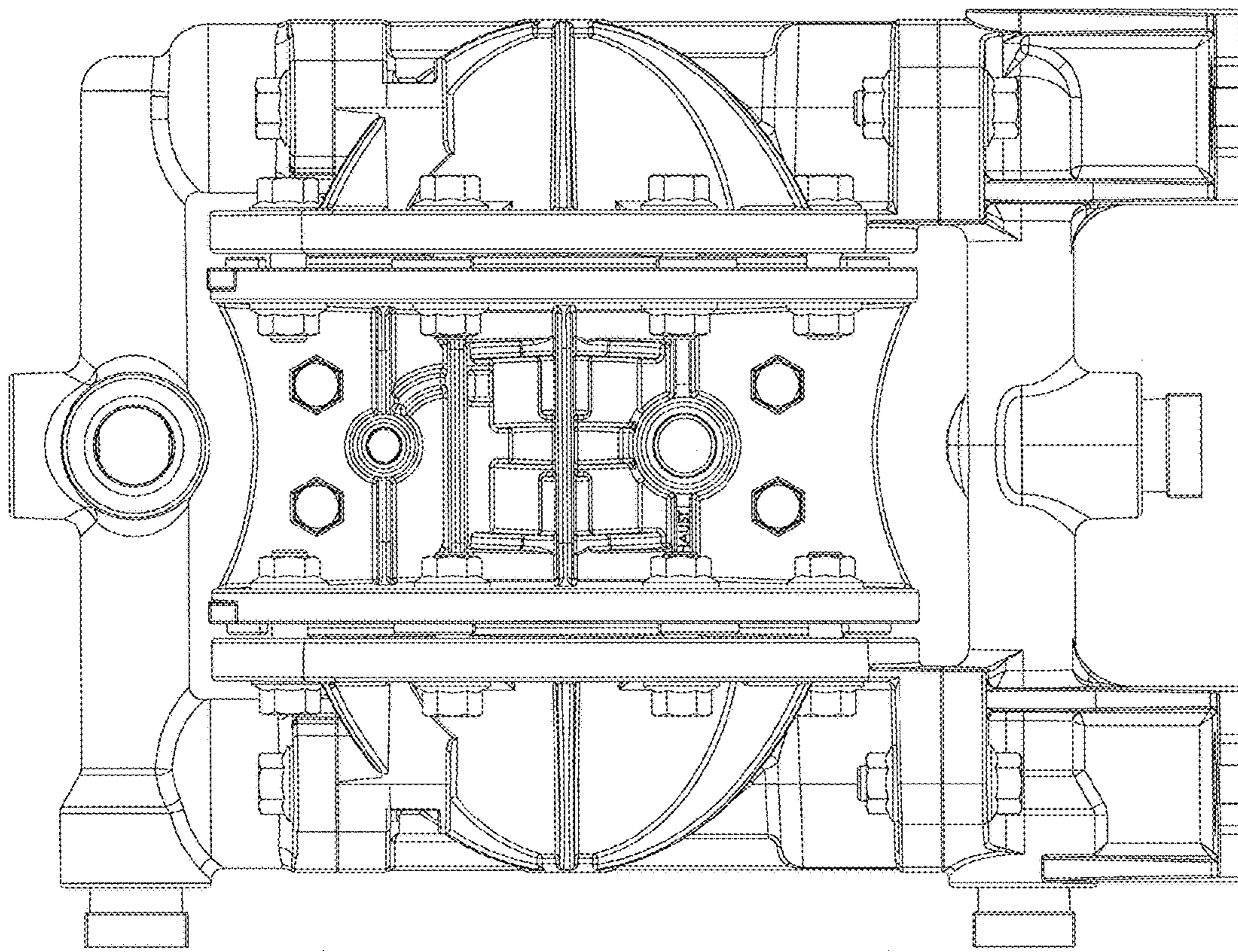
FOREIGN PATENT DOCUMENTS

IN	244057	12/2012
IN	247276	5/2013
IN	248977	8/2013
IN	251415	10/2013
IN	280085	6/2017
JP	HJ2601065900	5/2014
JP	1547544 S	4/2016
JP	1547803 S	4/2016
JP	1556911 S	8/2016
TW	D148342 S1	7/2012

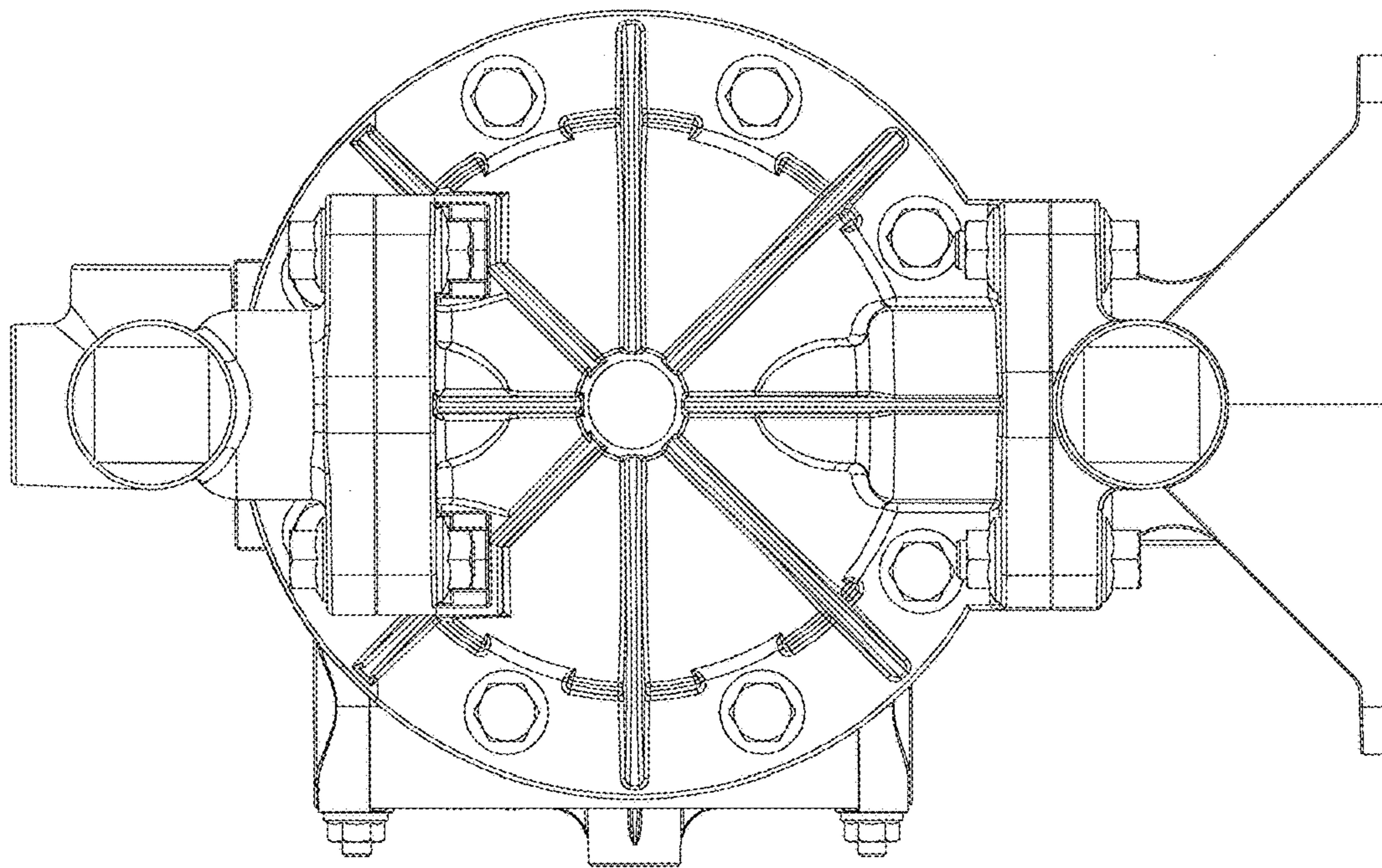
* cited by examiner



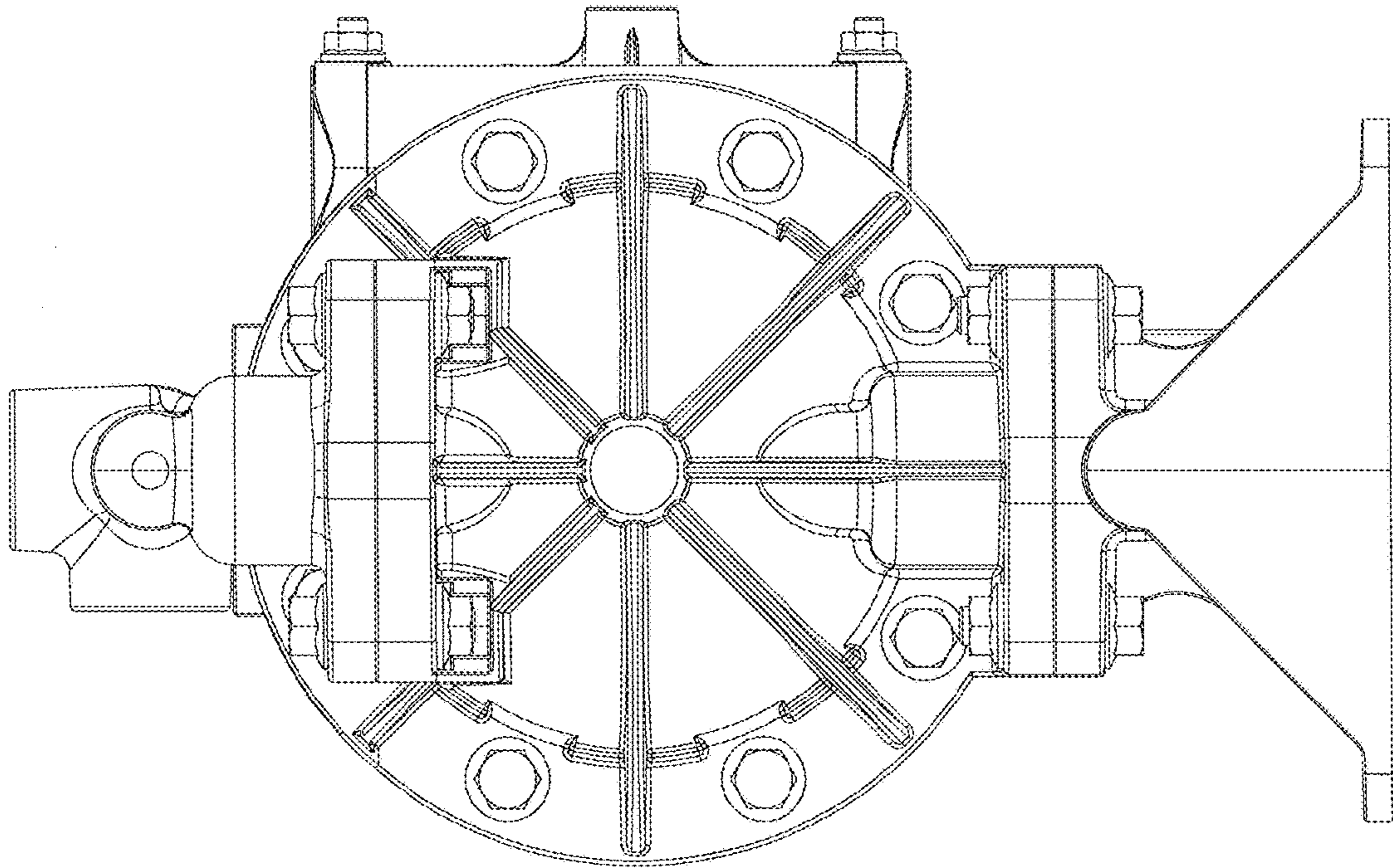
1.1



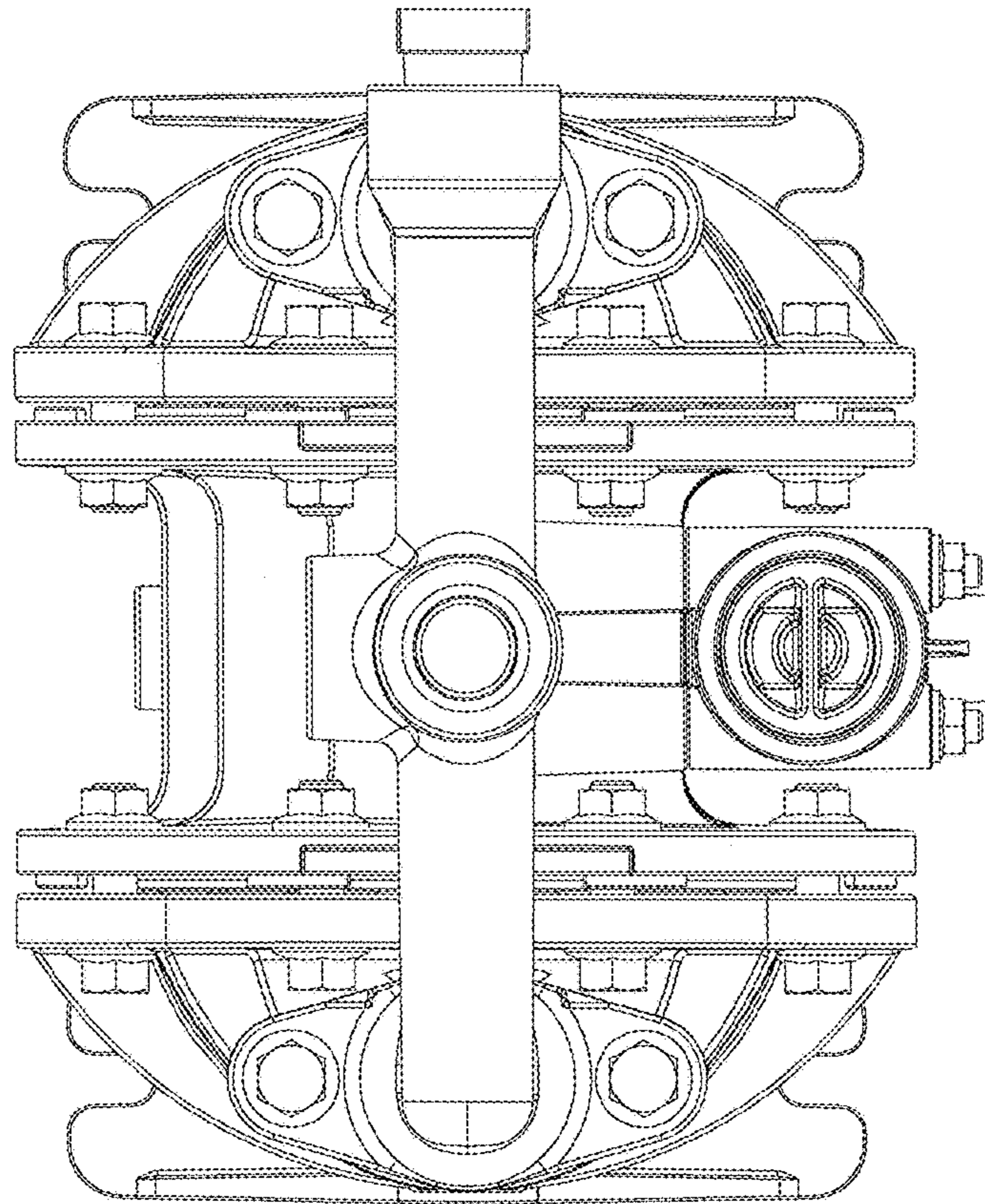
1.2



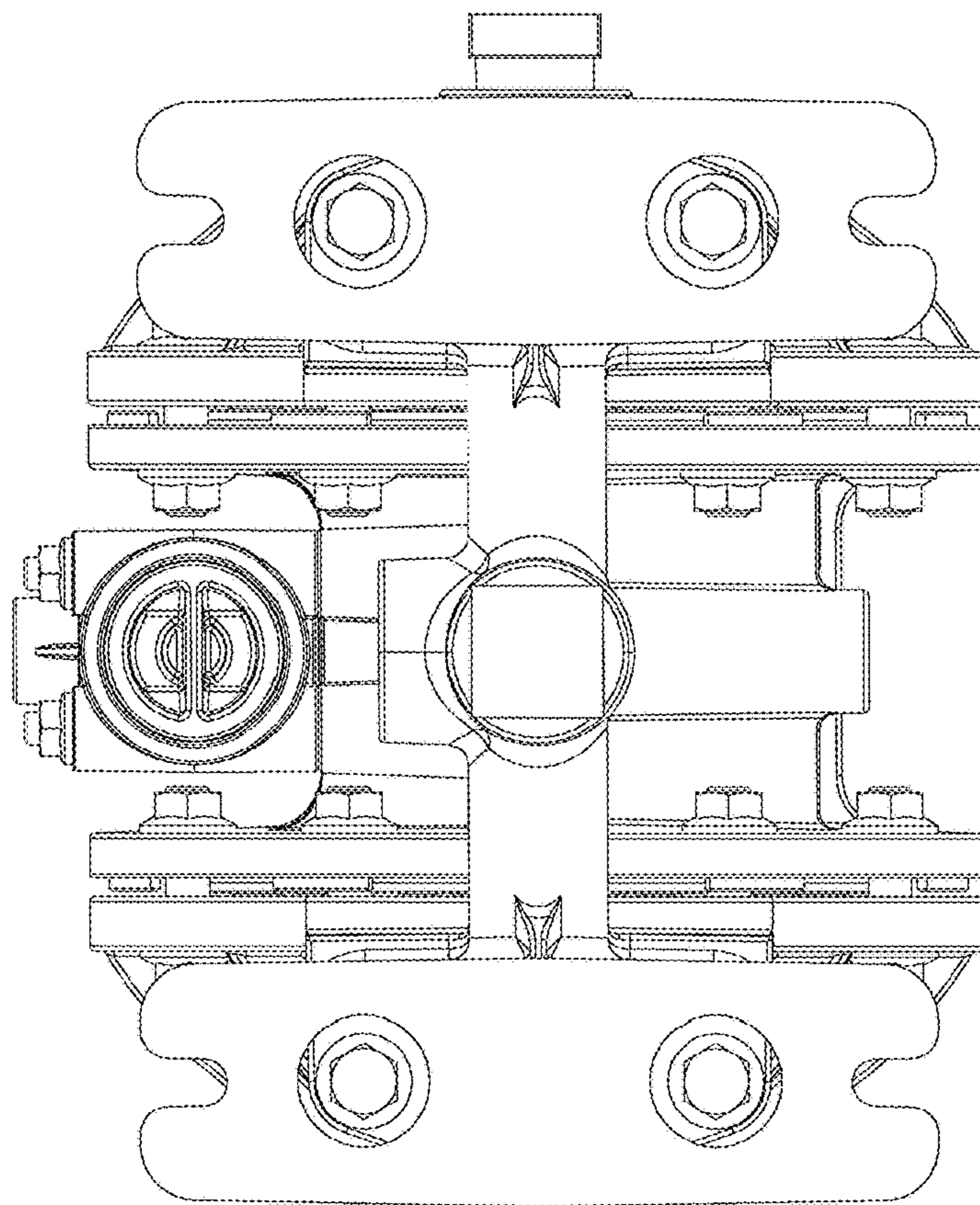
1.3



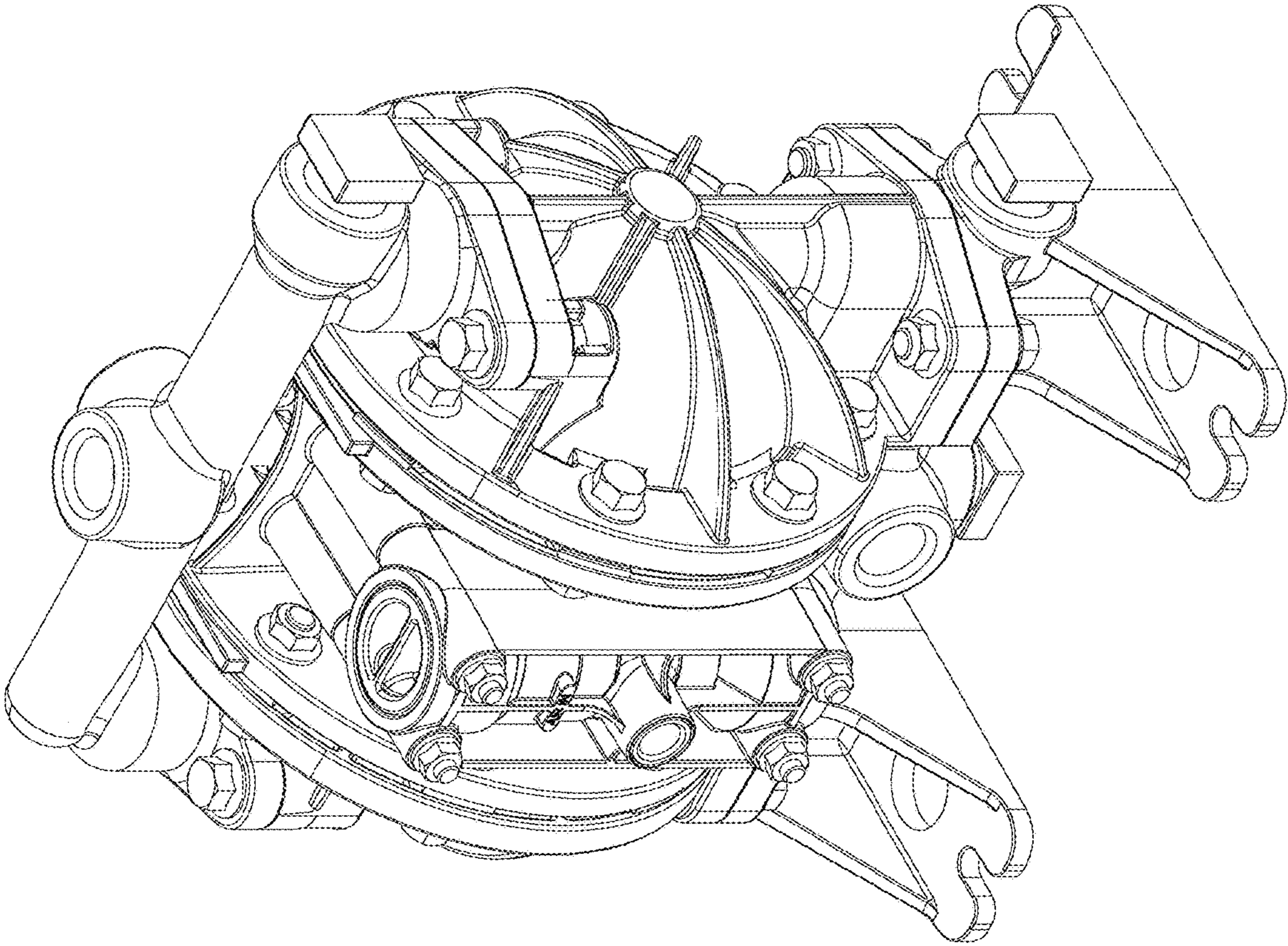
1.4



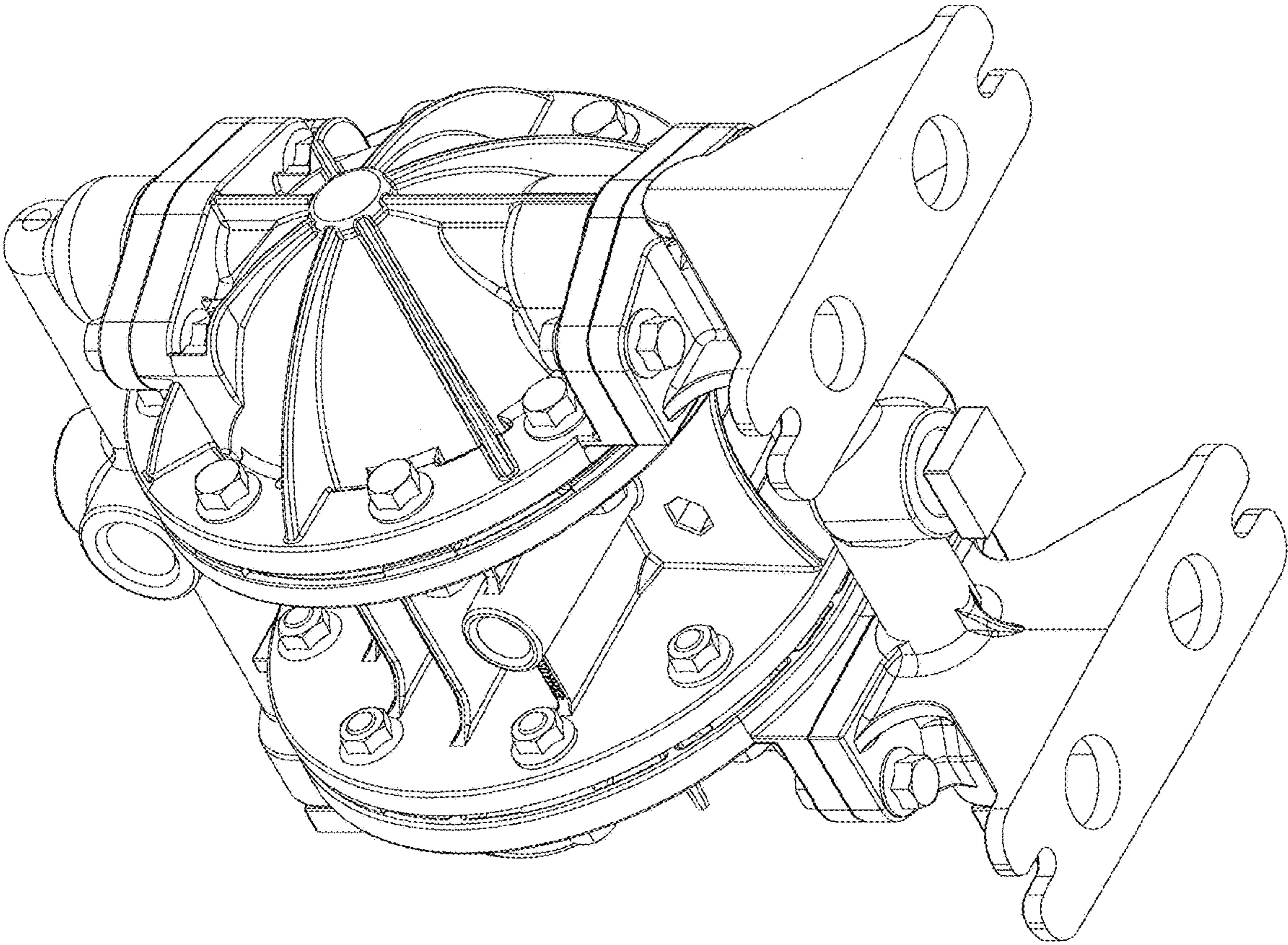
1.5



1.6



1.7



1.8