

US00D861042S

(12) **United States Design Patent**
Morita

(10) **Patent No.:** **US D861,042 S**

(45) **Date of Patent:** **** Sep. 24, 2019**

(54) **FLUID PRESSURE CYLINDER**

DESCRIPTION

(71) Applicant: **SMC CORPORATION**, Tokyo (JP)

(72) Inventor: **Ryosuke Morita**, Moriya (JP)

(73) Assignee: **SMC CORPORATION**, Tokyo (JP)

(**) Term: **15 Years**

(21) Appl. No.: **29/608,964**

(22) Filed: **Jun. 27, 2017**

(30) **Foreign Application Priority Data**

Dec. 28, 2016 (CN) 2016 3 0653708

(51) **LOC (12) Cl.** **15-03**

(52) **U.S. Cl.**
USPC **D15/7**

(58) **Field of Classification Search**
USPC D15/7-9; D23/231, 232, 225, 233

(Continued)

(56) **References Cited**

U.S. PATENT DOCUMENTS

D370,683 S * 6/1996 Stahlman D15/7

D378,214 S 2/1997 Ikumi

(Continued)

FOREIGN PATENT DOCUMENTS

CN D303403925 S 10/2015

CN D303428901 S 11/2015

(Continued)

Primary Examiner — Khawaja Anwar

(74) *Attorney, Agent, or Firm* — Birch, Stewart, Kolasch & Birch, LLP

(57) **CLAIM**

The ornamental design for a fluid pressure cylinder, as shown.

FIG. 1 is a front, top and left side perspective view of a fluid pressure cylinder showing a first embodiment of my new design;

FIG. 2 is a rear, bottom and right side perspective view thereof;

FIG. 3 is a front view thereof;

FIG. 4 is a rear view thereof;

FIG. 5 is a top plan view thereof;

FIG. 6 is a bottom plan view thereof;

FIG. 7 is a left side view thereof;

FIG. 8 is a right side view thereof;

FIG. 9 is a front, top and left side perspective view of a fluid pressure cylinder showing a second embodiment of my new design;

FIG. 10 is a rear, bottom and right side perspective view thereof;

FIG. 11 is a front view thereof;

FIG. 12 is a rear view thereof;

FIG. 13 is a top plan view thereof;

FIG. 14 is a bottom plan view thereof;

FIG. 15 is a left side view thereof;

FIG. 16 is a right side view thereof;

FIG. 17 is a front, top and left side perspective view of a fluid pressure cylinder showing a third embodiment of my new design;

FIG. 18 is a rear, bottom and right side perspective view thereof;

FIG. 19 is a front view thereof;

FIG. 20 is a rear view thereof;

FIG. 21 is a top plan view thereof;

FIG. 22 is a bottom plan view thereof;

FIG. 23 is a left side view thereof;

FIG. 24 is a right side view thereof;

FIG. 25 is a front, top and left side perspective view of a fluid pressure cylinder showing a fourth embodiment of my new design;

FIG. 26 is a rear, bottom and right side perspective view thereof;

FIG. 27 is a front view thereof;

FIG. 28 is a rear view thereof;

FIG. 29 is a top plan view thereof;

(Continued)

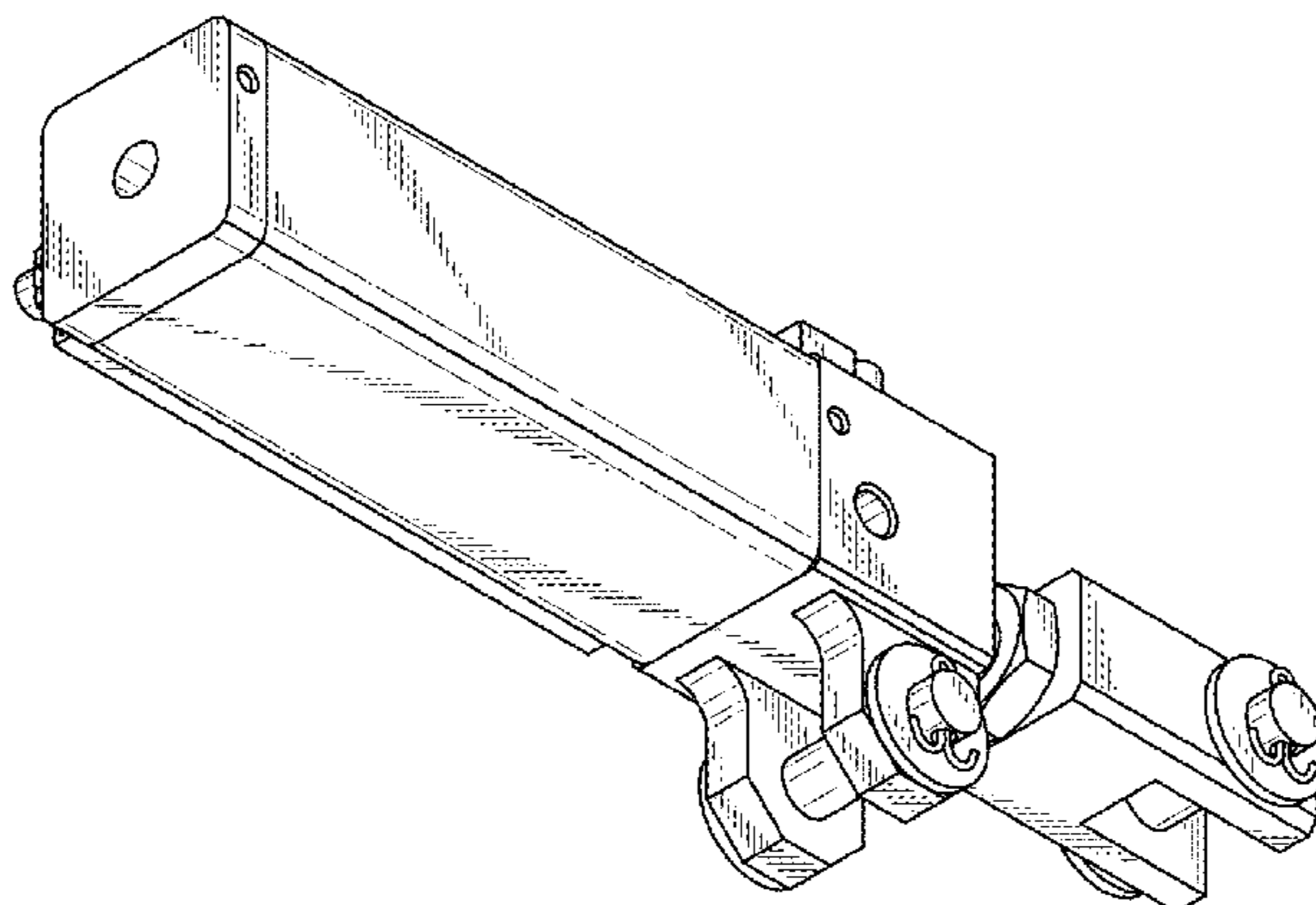


FIG. 30 is a bottom plan view thereof;
 FIG. 31 is a left side view thereof;
 FIG. 32 is a right side view thereof;
 FIG. 33 is a front, top and left side perspective view of a fluid pressure cylinder showing a fifth embodiment of my new design;
 FIG. 34 is a rear, bottom and right side perspective view thereof;
 FIG. 35 is a front view thereof;
 FIG. 36 is a rear view thereof;
 FIG. 37 is a top plan view thereof;
 FIG. 38 is a bottom plan view thereof;
 FIG. 39 is a left side view thereof;
 FIG. 40 is a right side view thereof;
 FIG. 41 is a front, top and left side perspective view of a fluid pressure cylinder showing a sixth embodiment of my new design;
 FIG. 42 is a rear, bottom and right side perspective view thereof;
 FIG. 43 is a front view thereof;
 FIG. 44 is a rear view thereof;
 FIG. 45 is a top plan view thereof;
 FIG. 46 is a bottom plan view thereof;
 FIG. 47 is a left side view thereof;
 FIG. 48 is a right side view thereof;
 FIG. 49 is a front, top and left side perspective view of a fluid pressure cylinder showing a seventh embodiment of my new design;
 FIG. 50 is a rear, bottom and right side perspective view thereof;
 FIG. 51 is a front view thereof;
 FIG. 52 is a rear view thereof;
 FIG. 53 is a top plan view thereof;
 FIG. 54 is a bottom plan view thereof;
 FIG. 55 is a left side view thereof;
 FIG. 56 is a right side view thereof;
 FIG. 57 is a front, top and left side perspective view of a fluid pressure cylinder showing an eighth embodiment of my new design;
 FIG. 58 is a rear, bottom and right side perspective view thereof;
 FIG. 59 is a front view thereof;
 FIG. 60 is a rear view thereof;
 FIG. 61 is a top plan view thereof;

FIG. 62 is a bottom plan view thereof;
 FIG. 63 is a left side view thereof;
 FIG. 64 is a right side view thereof;
 FIG. 65 is a front, top and left side perspective view of a fluid pressure cylinder showing a ninth embodiment of my new design;
 FIG. 66 is a rear, bottom and right side perspective view thereof;
 FIG. 67 is a front view thereof;
 FIG. 68 is a rear view thereof;
 FIG. 69 is a top plan view thereof;
 FIG. 70 is a bottom plan view thereof;
 FIG. 71 is a left side view thereof; and,
 FIG. 72 is a right side view thereof.

1 Claim, 72 Drawing Sheets

(58) **Field of Classification Search**

CPC F02M 37/04; F02M 31/14; F04D 29/4286
 See application file for complete search history.

(56) **References Cited**

U.S. PATENT DOCUMENTS

D378,680 S	4/1997	Ikumi	
D428,617 S	7/2000	Hariwara	
D500,258 S	12/2004	Kita et al.	
D500,259 S	12/2004	Kita et al.	
D682,901 S *	5/2013	Peschel	D15/143
D704,238 S *	5/2014	Fukano	D15/143
D757,120 S *	5/2016	Kudo	D15/7
D772,302 S *	11/2016	Kudo	D15/7
D780,228 S *	2/2017	Kudo	D15/7
D780,229 S *	2/2017	Kudo	D15/7
D805,559 S *	12/2017	Kudo	D15/7
D805,560 S *	12/2017	Kudo	D15/7
D825,616 S *	8/2018	Monden	D15/9

FOREIGN PATENT DOCUMENTS

CN	D303854900 S	9/2016
CN	D303854901 S	9/2016

* cited by examiner

FIG. 1

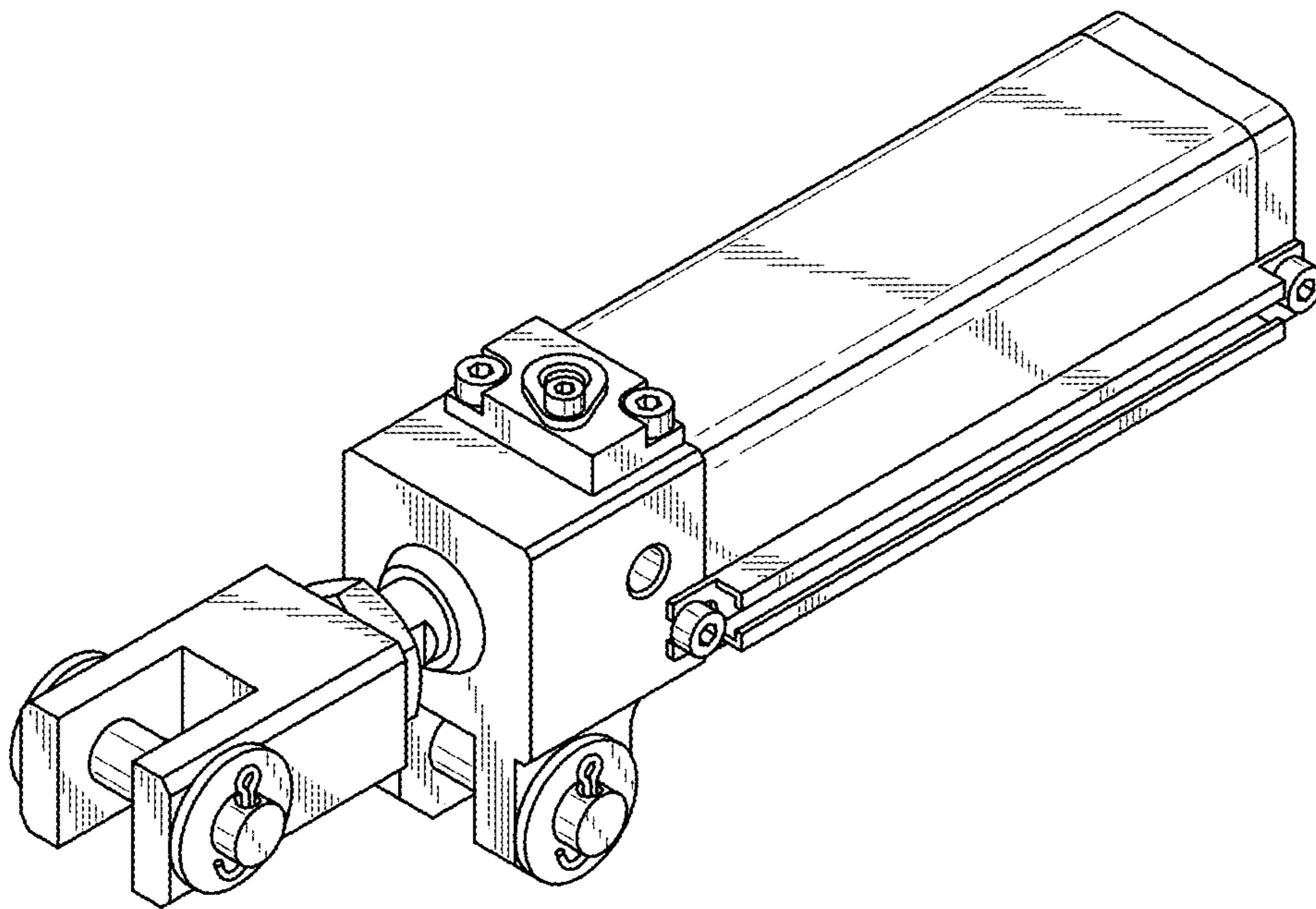


FIG. 2

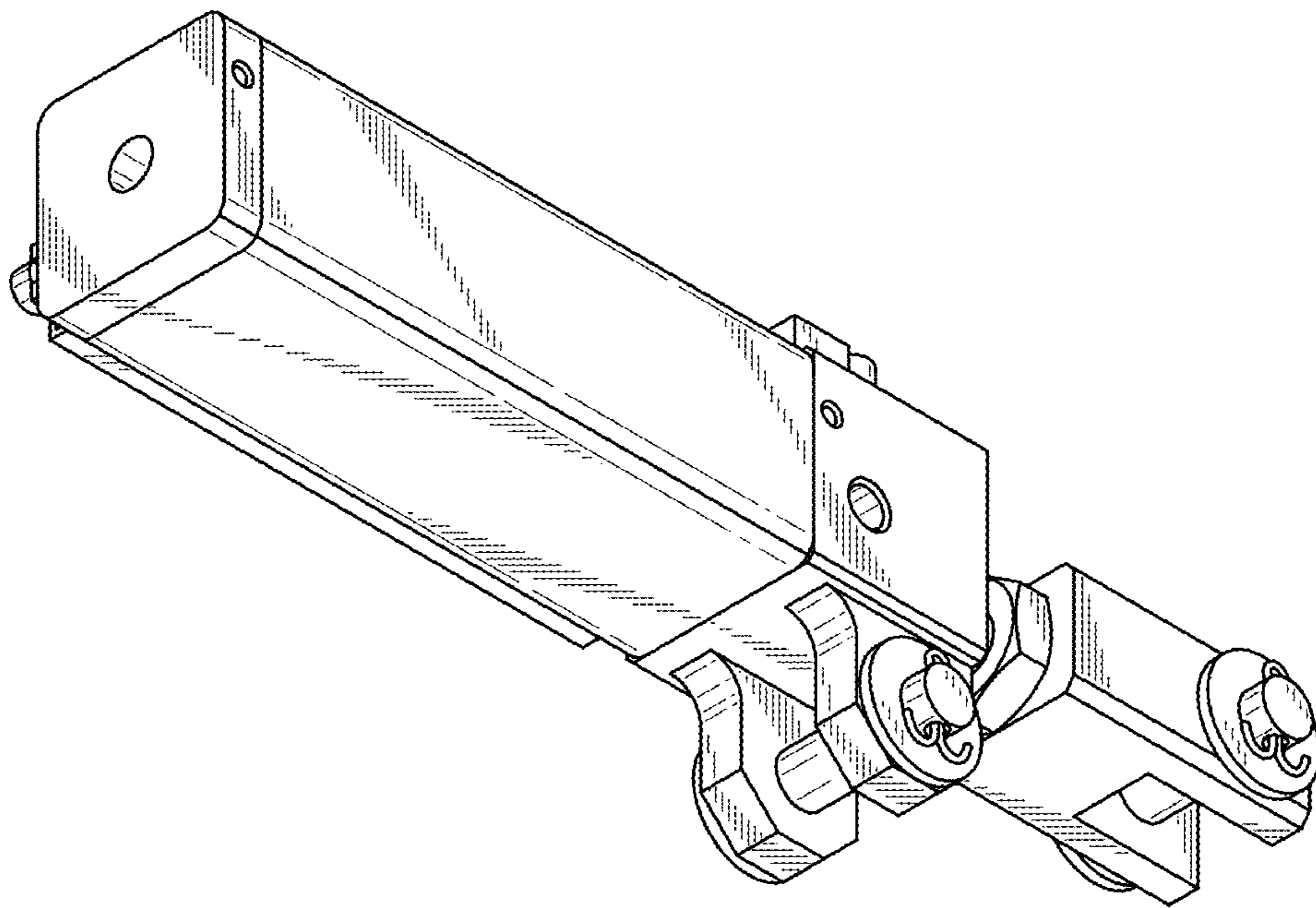


FIG. 3

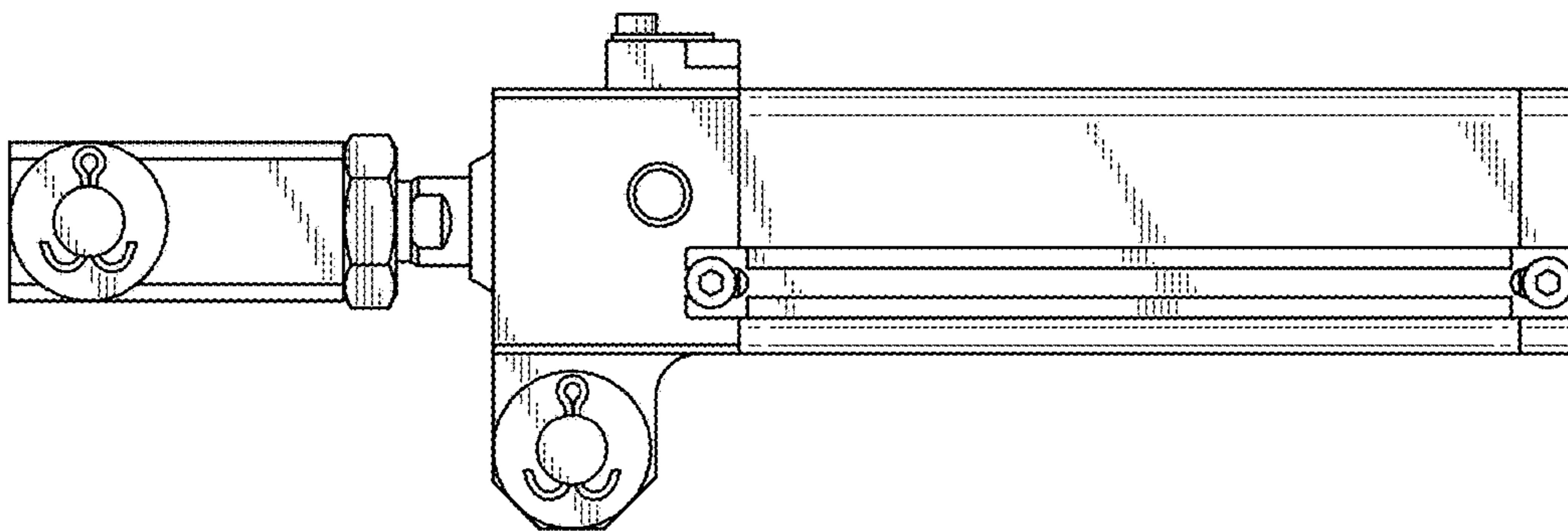


FIG. 4

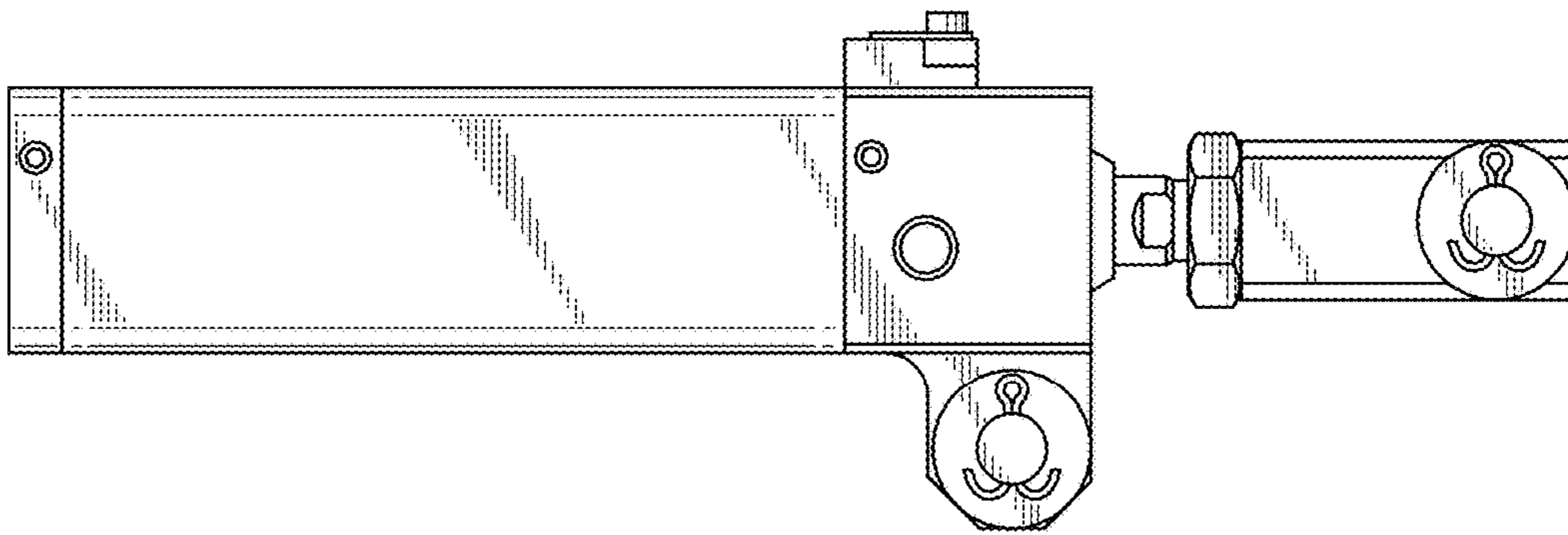


FIG. 5

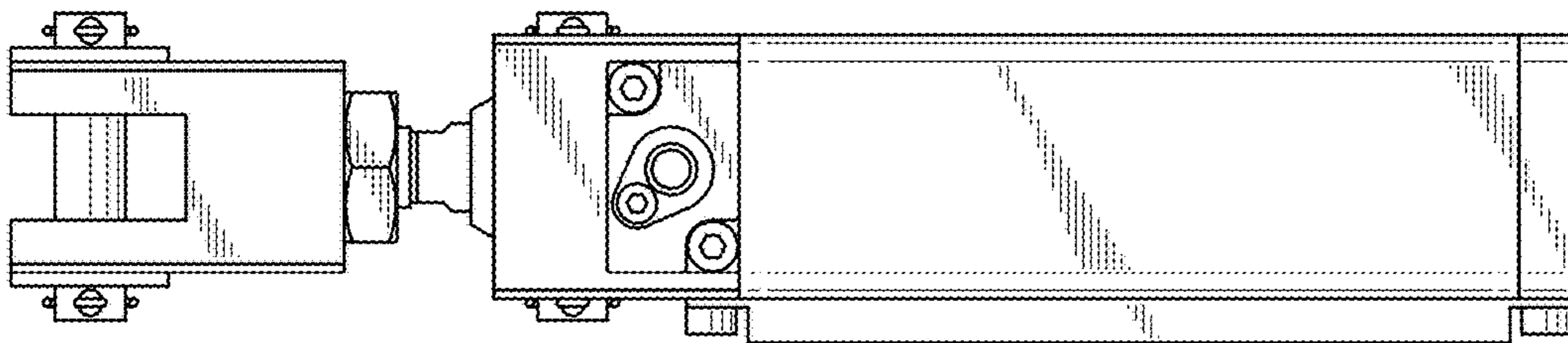


FIG. 6

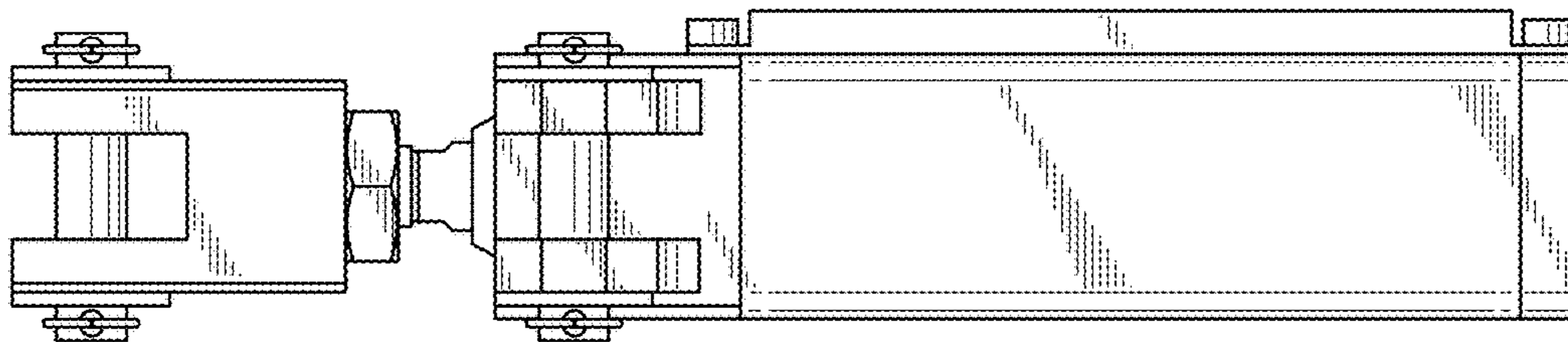


FIG. 7

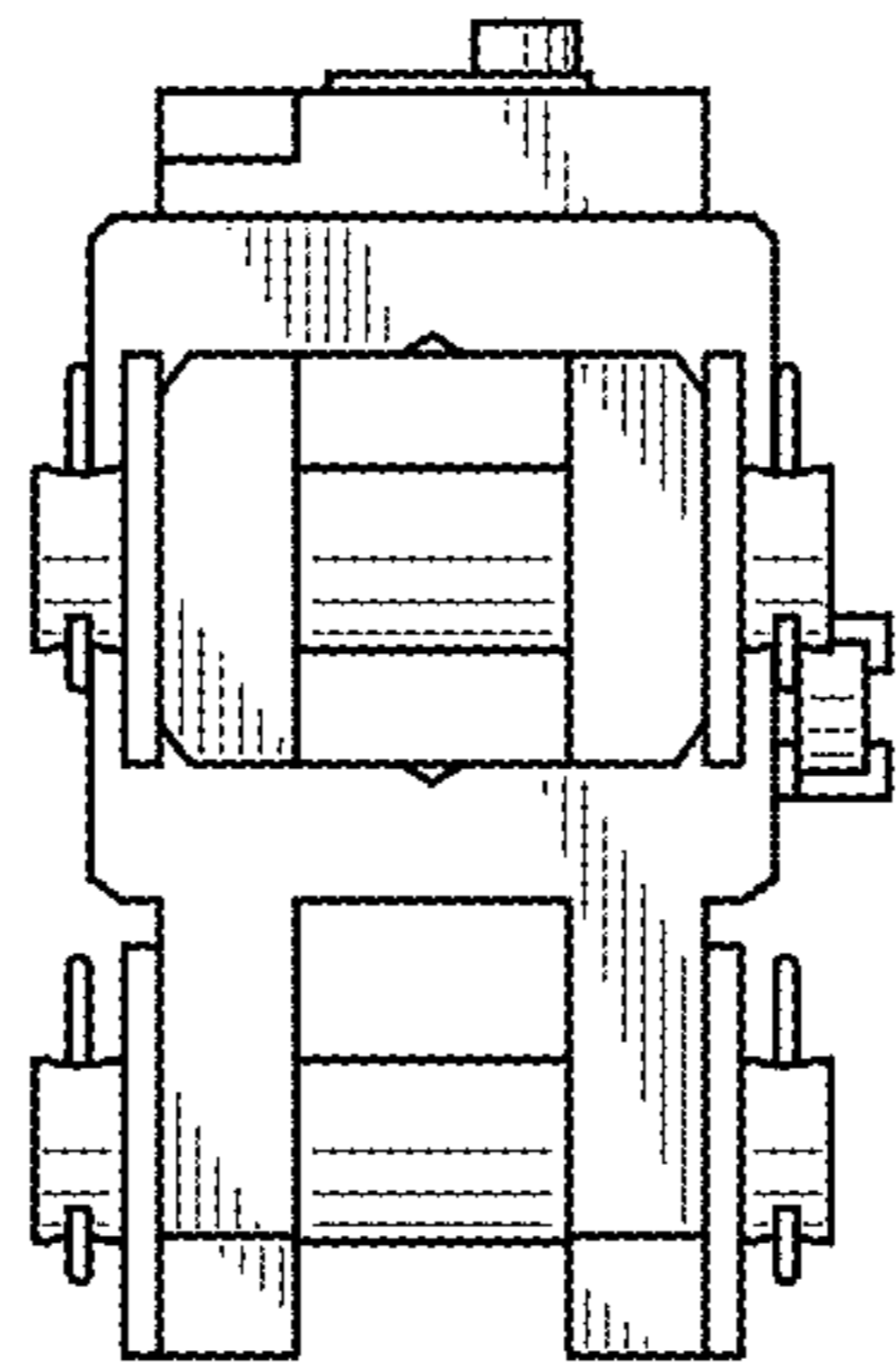


FIG. 8

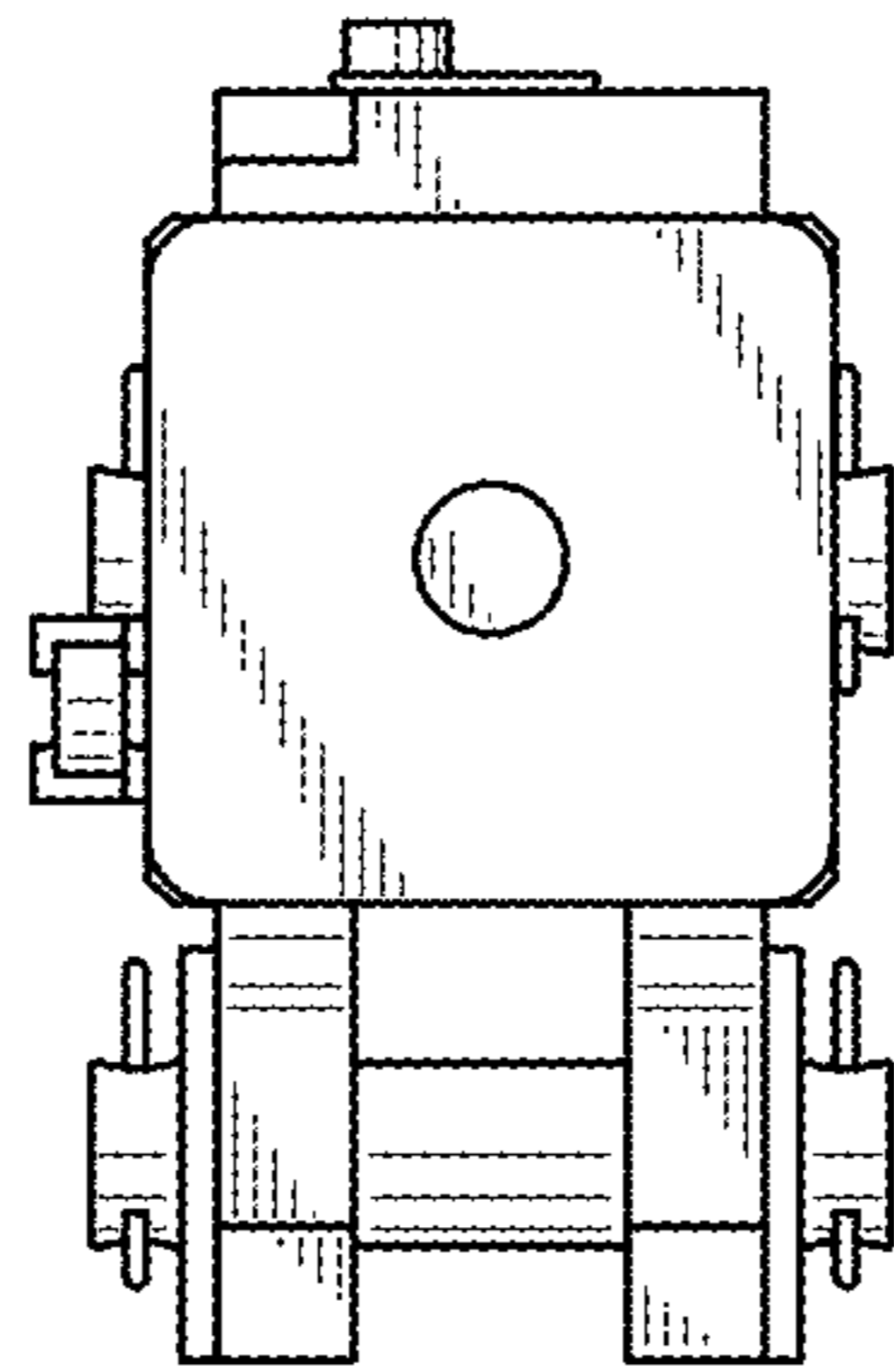


FIG. 9

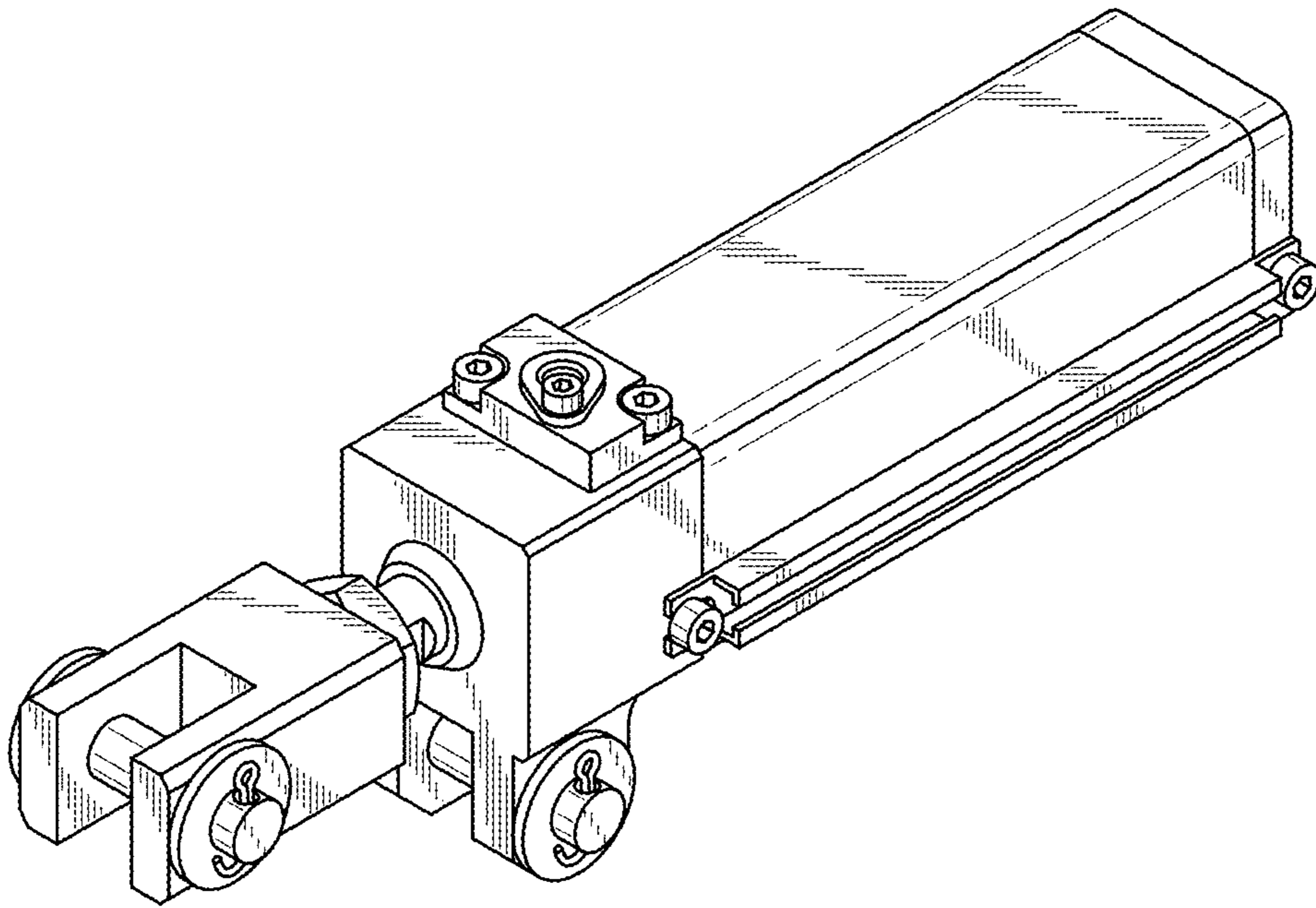


FIG. 10

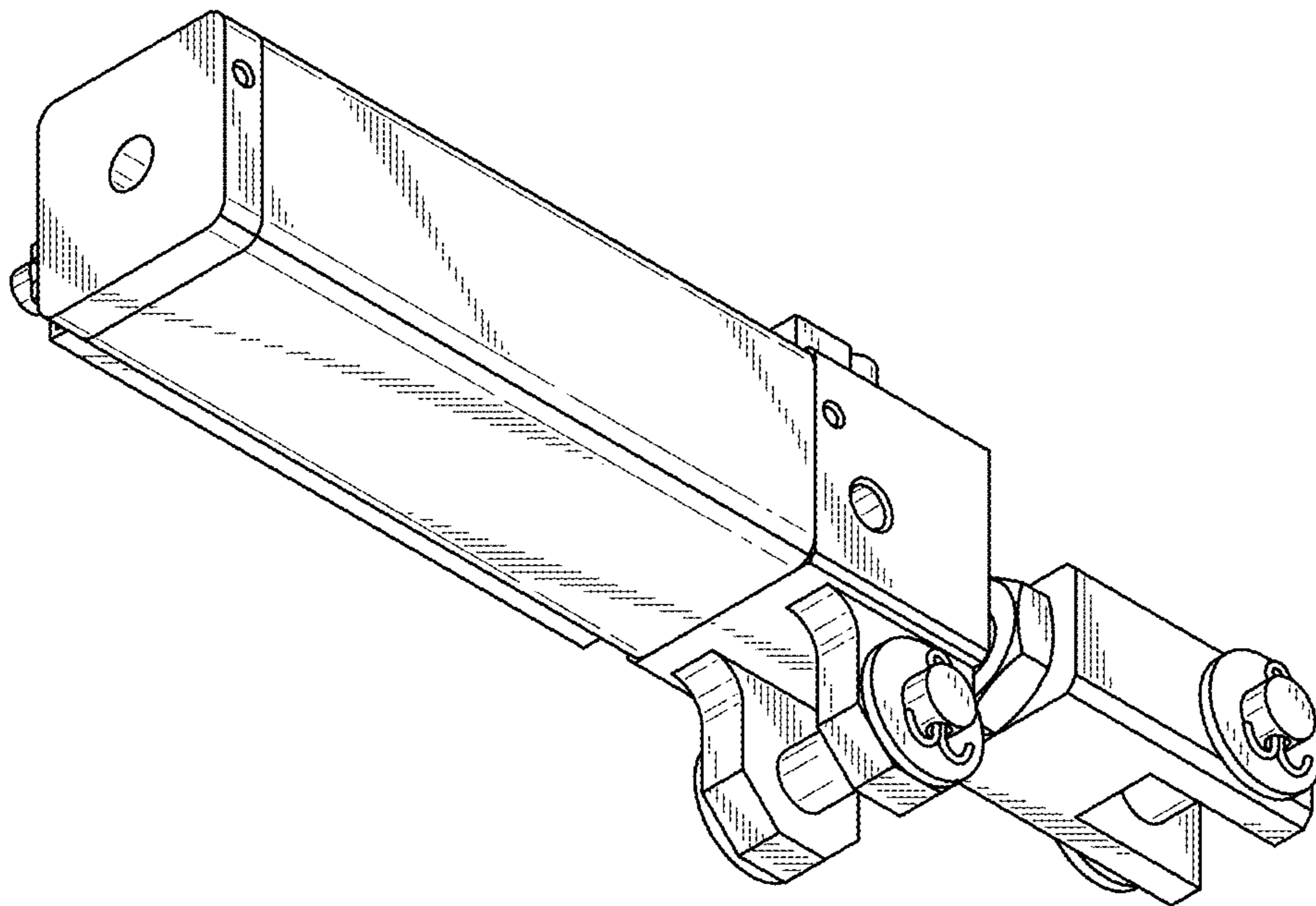


FIG. 11

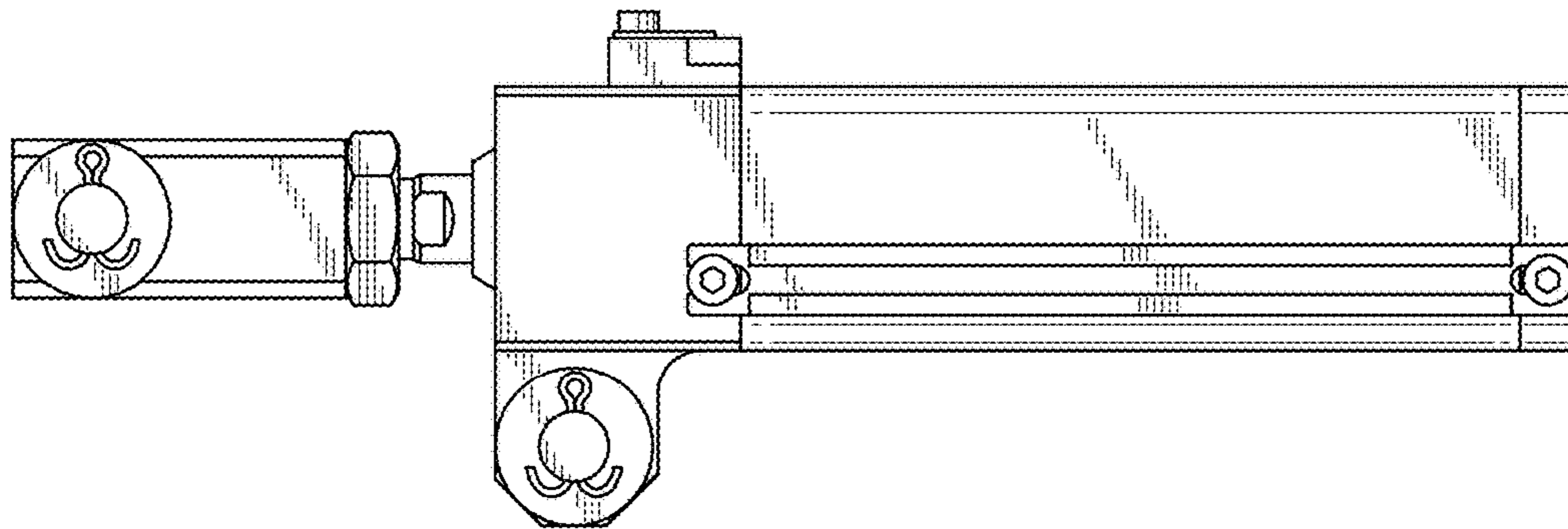


FIG. 12

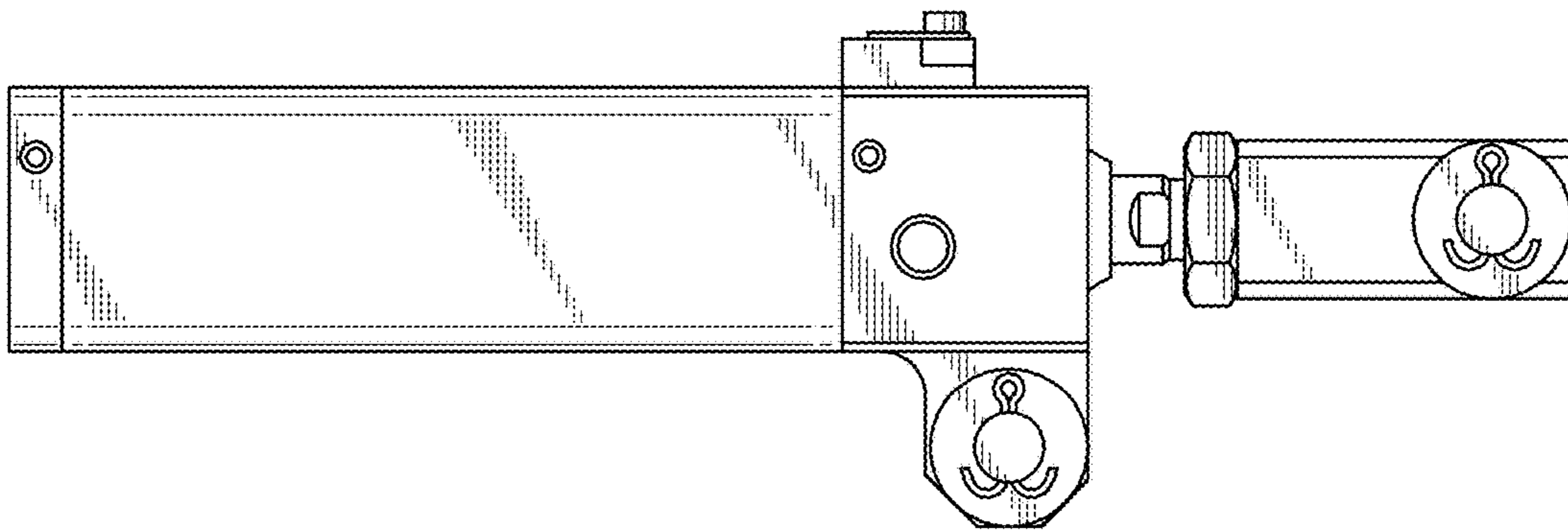


FIG. 13

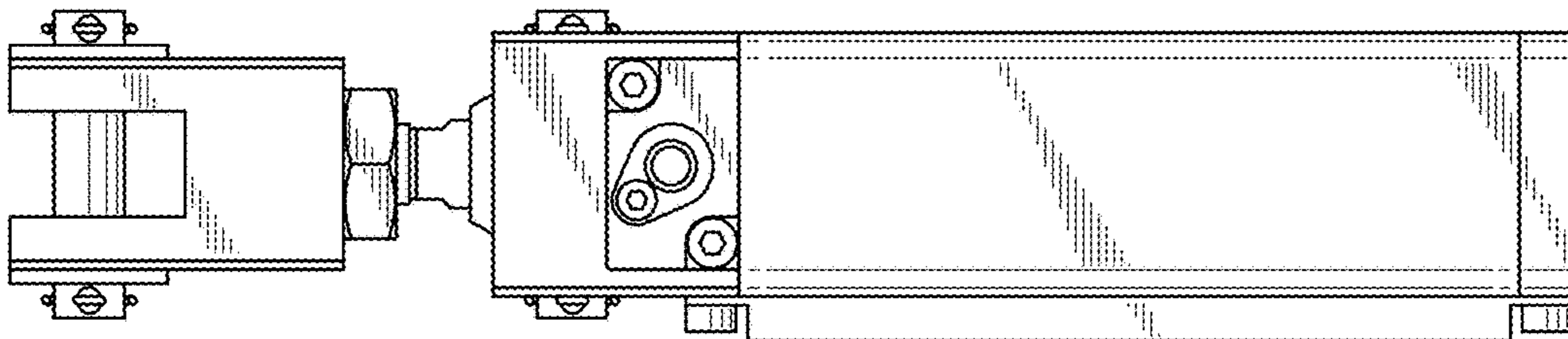


FIG. 14

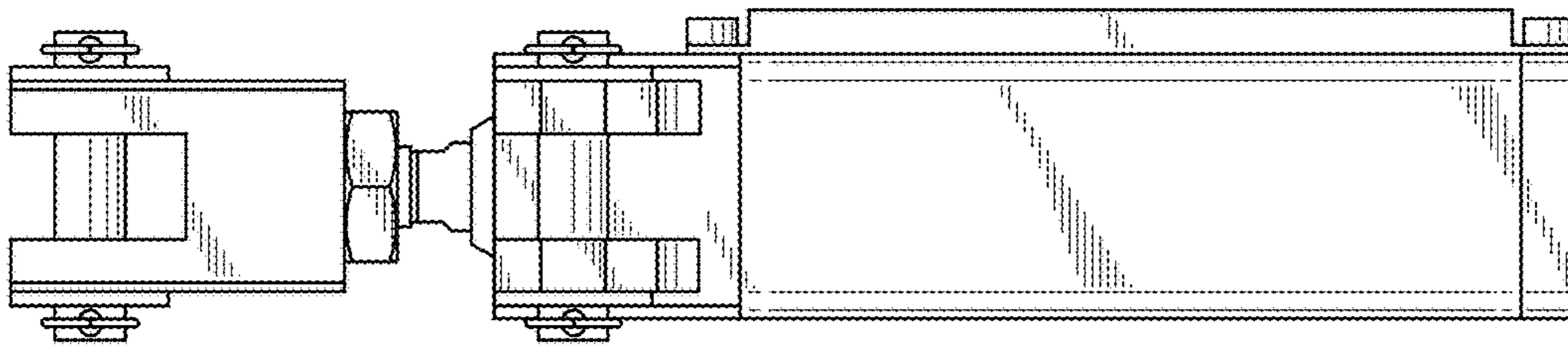


FIG. 15

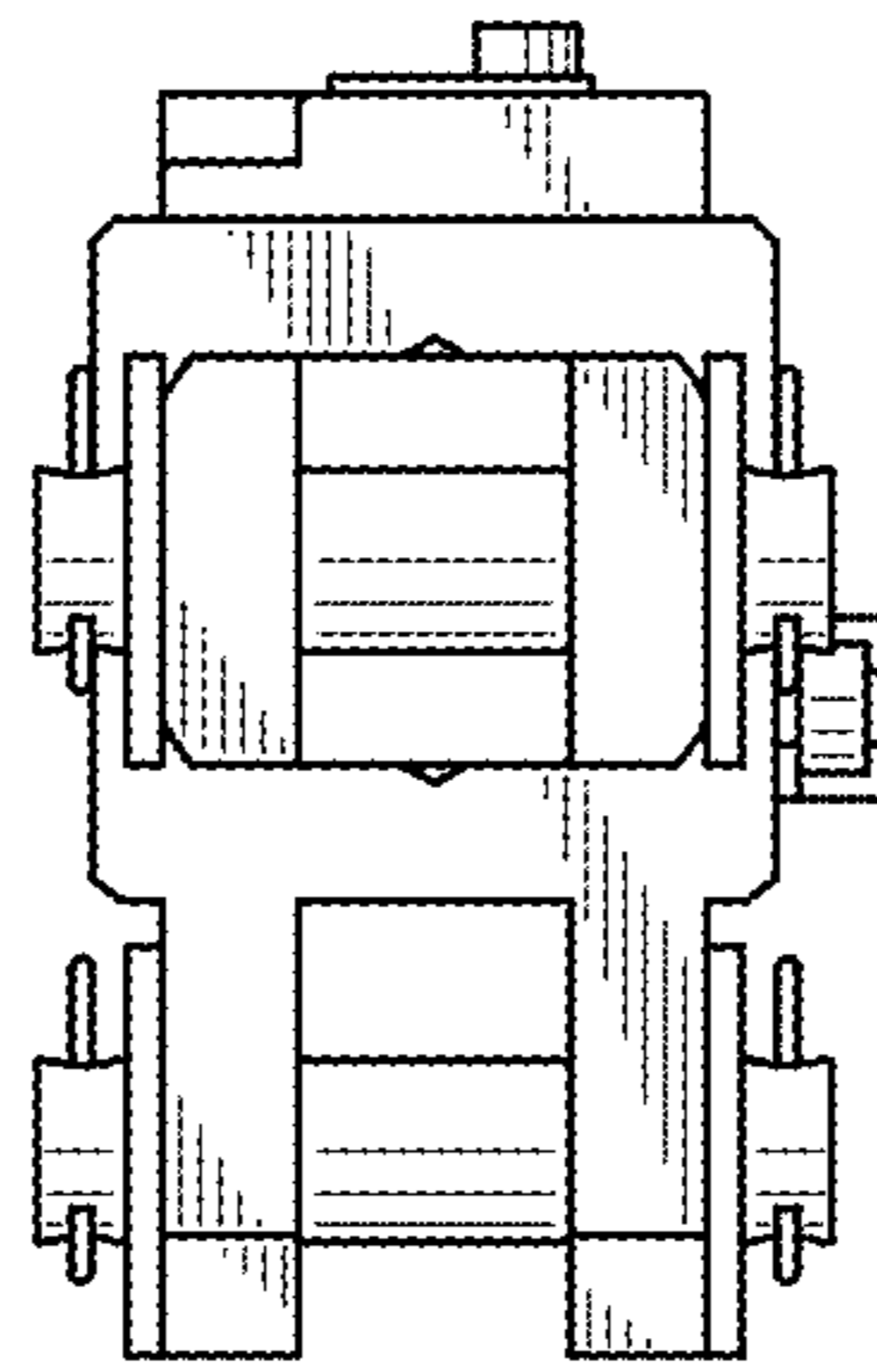


FIG. 16

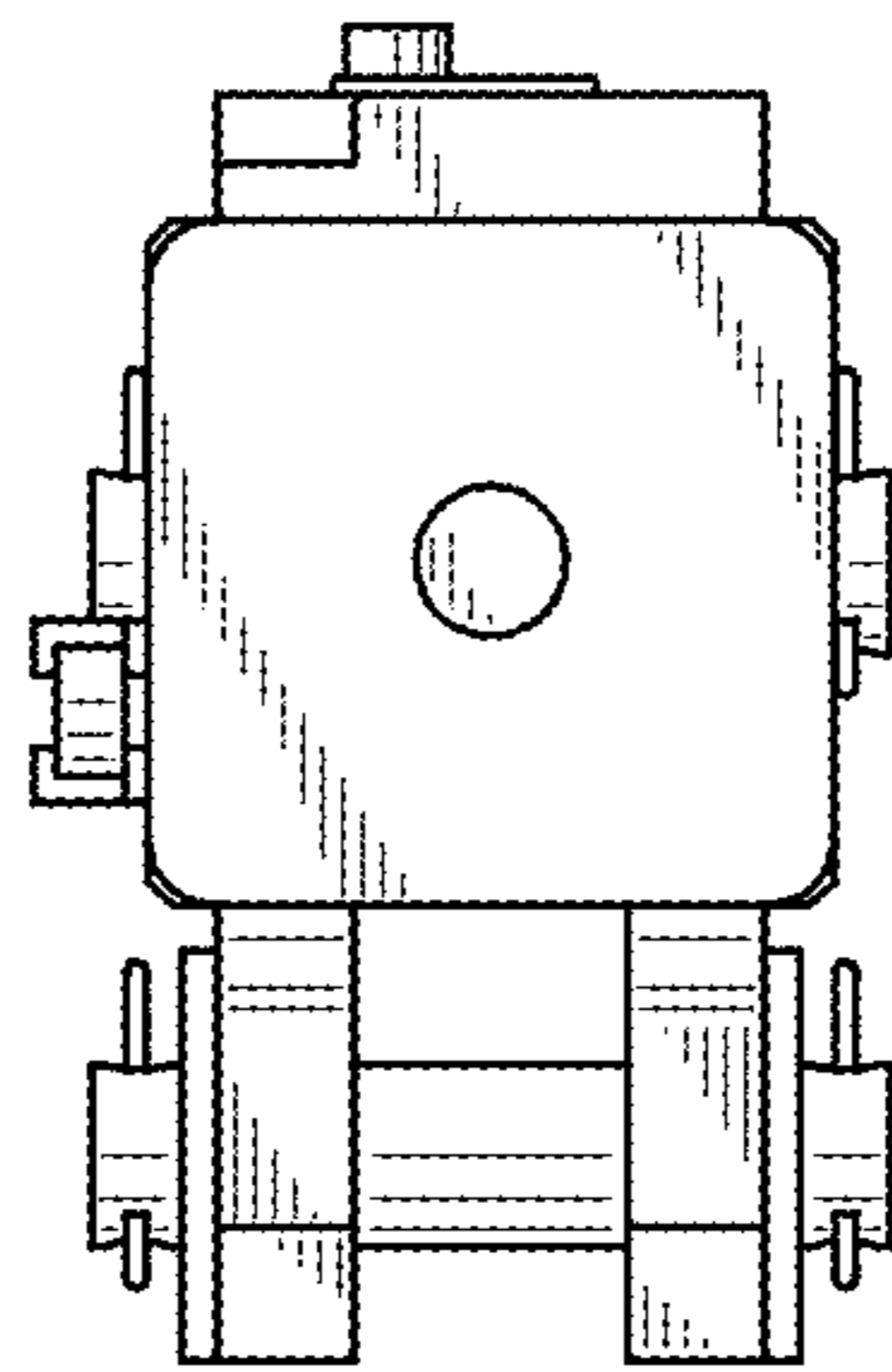


FIG. 17

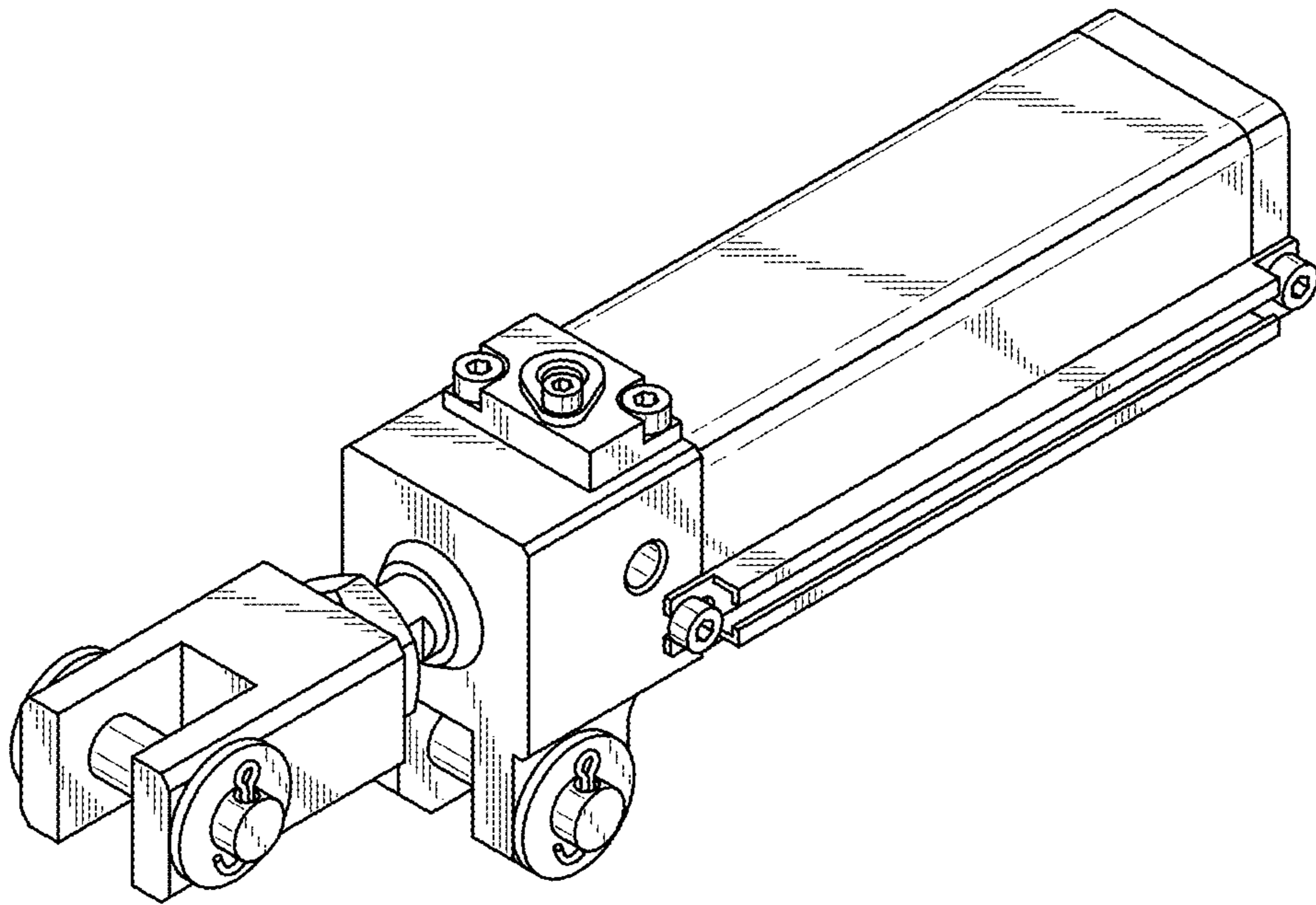


FIG. 18

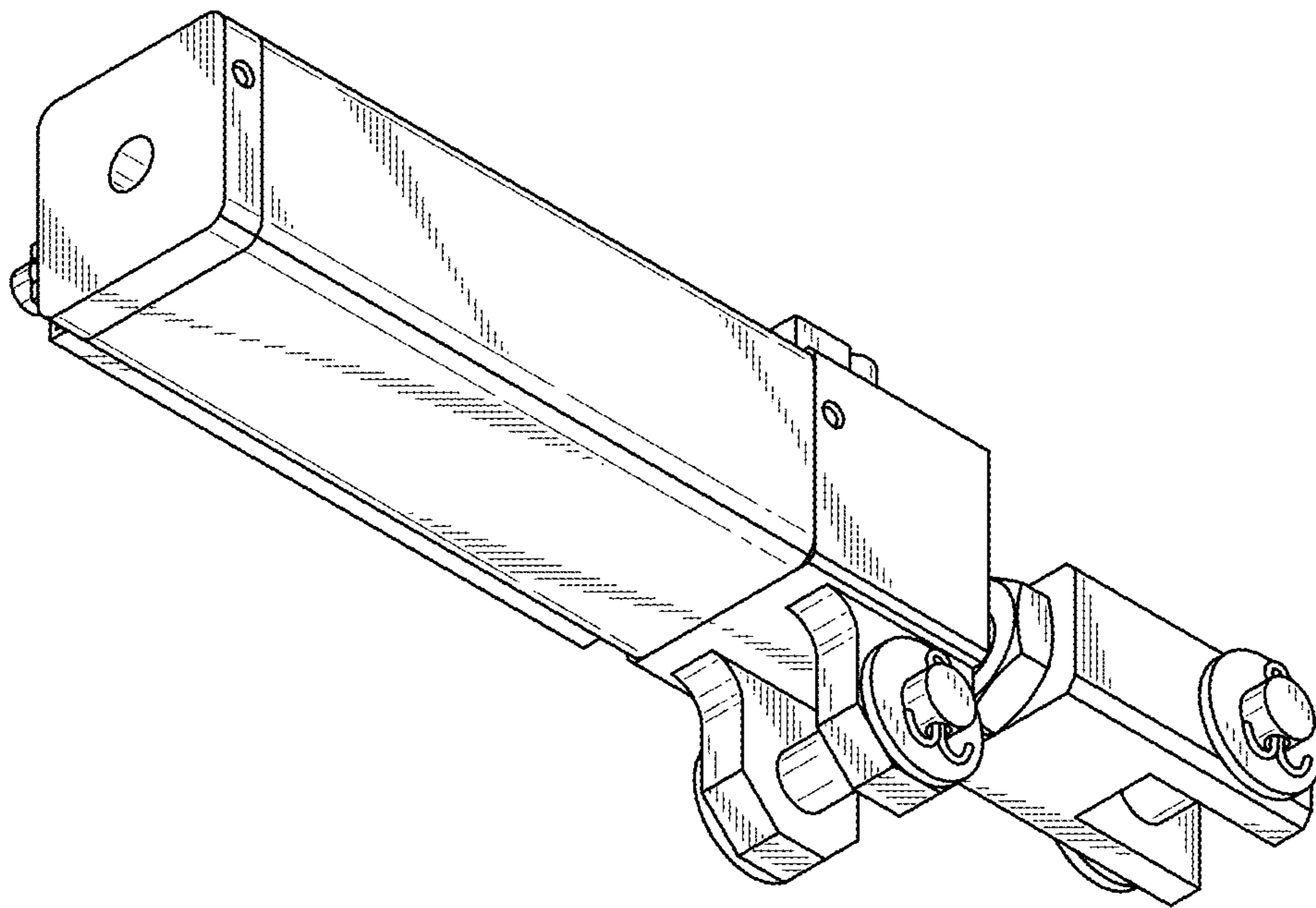


FIG. 19

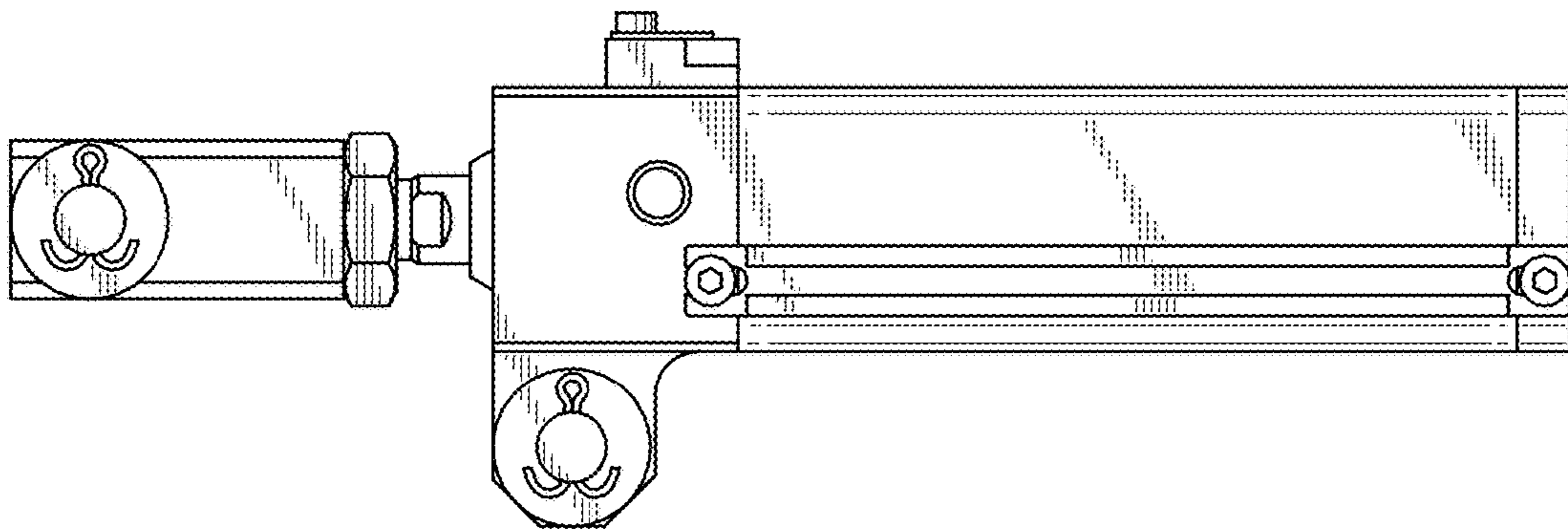


FIG. 20

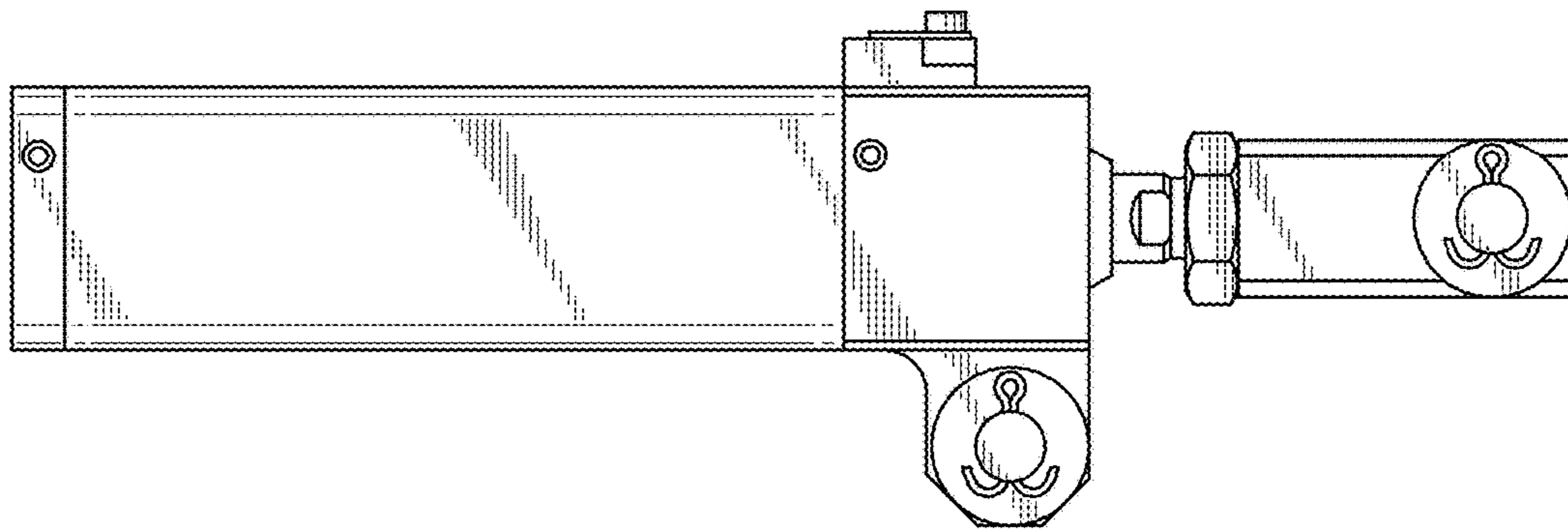


FIG. 21

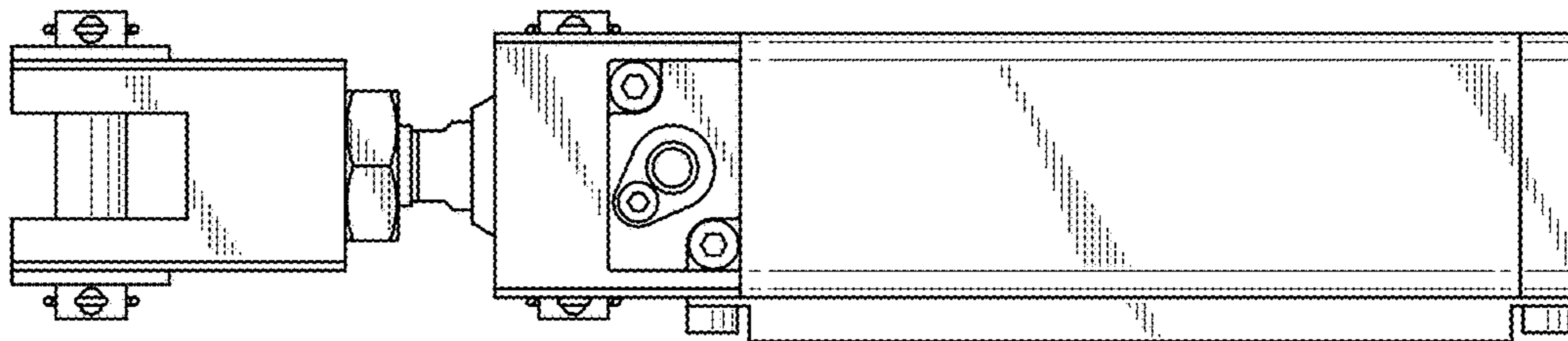


FIG. 22

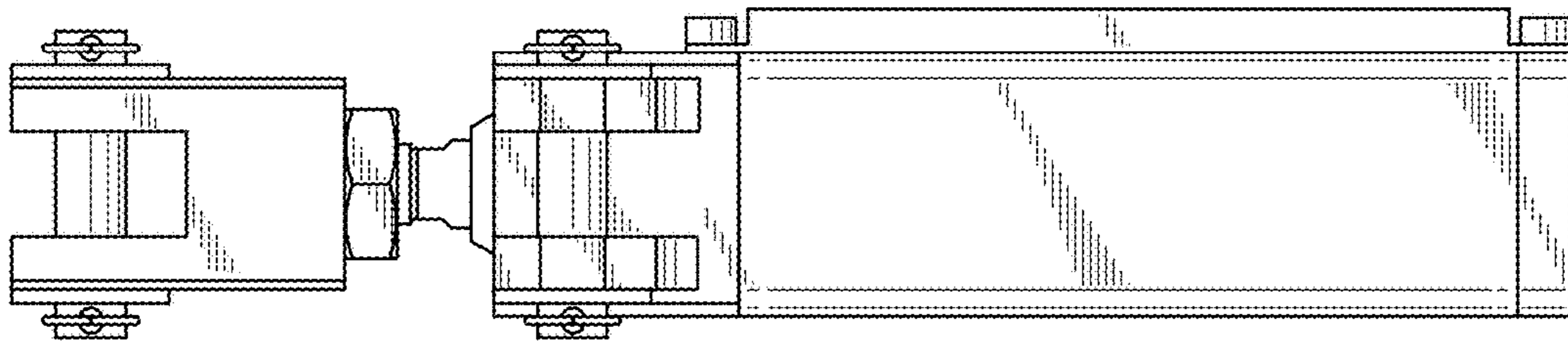


FIG. 23

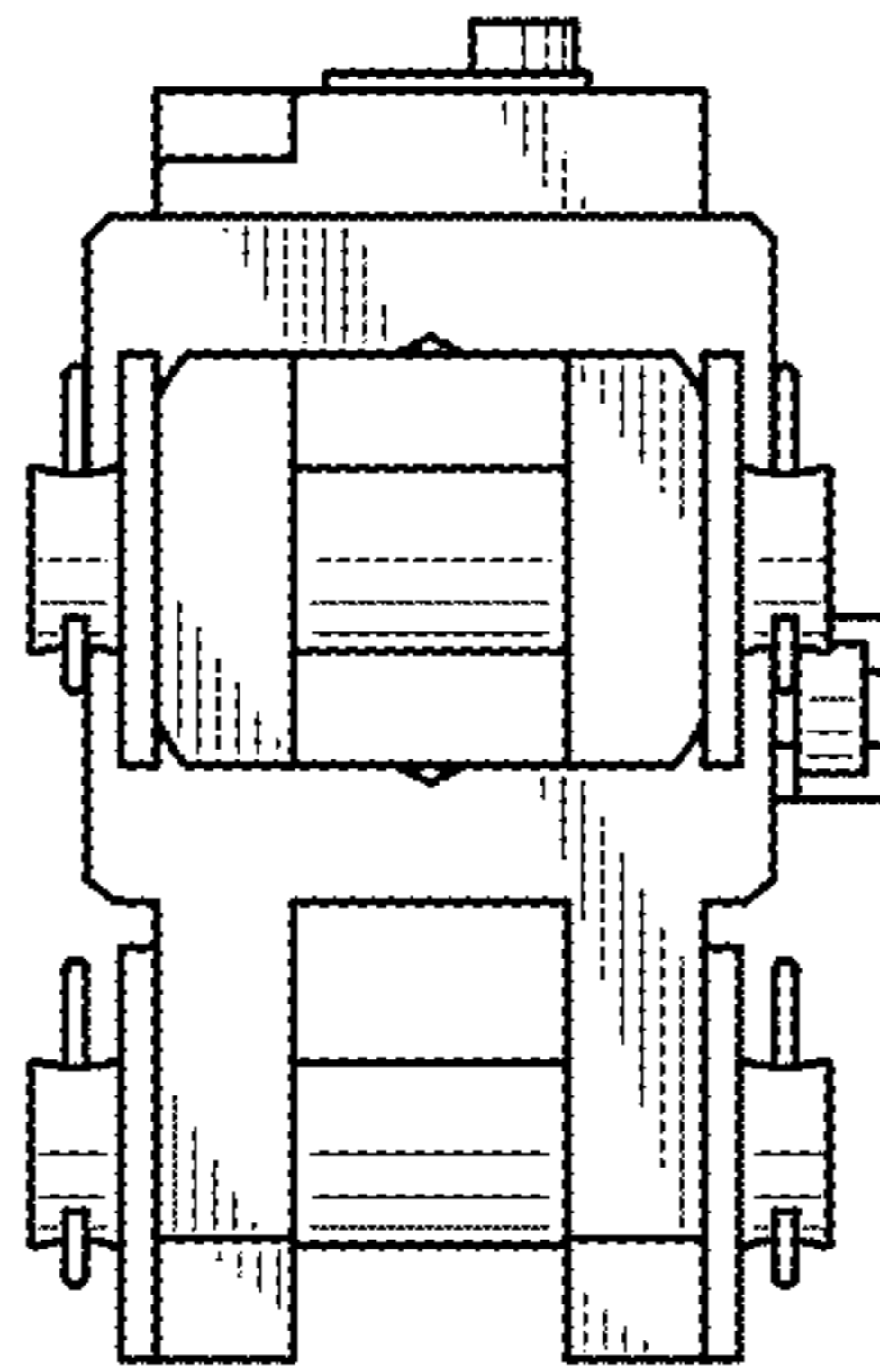


FIG. 24

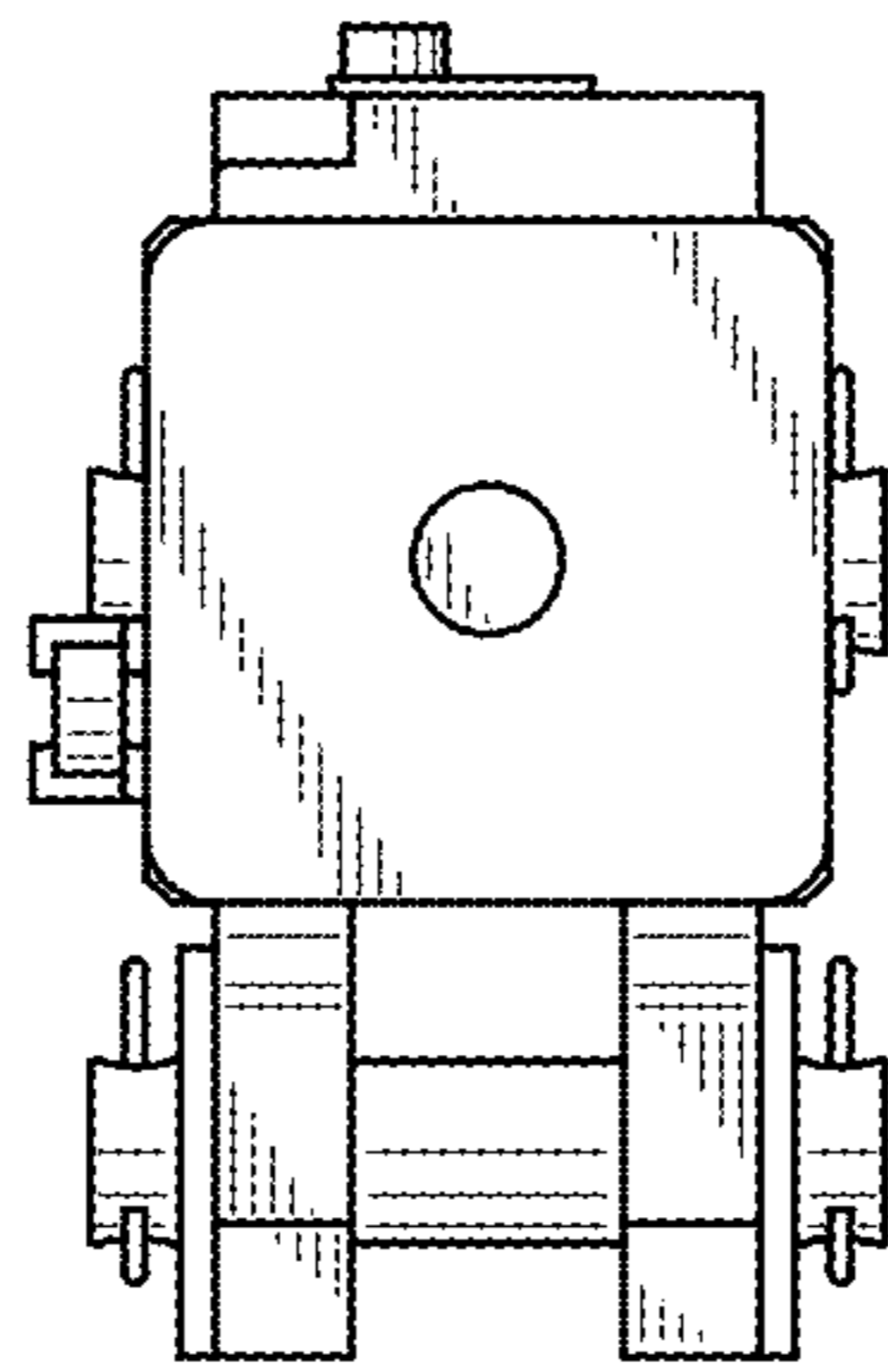


FIG. 25

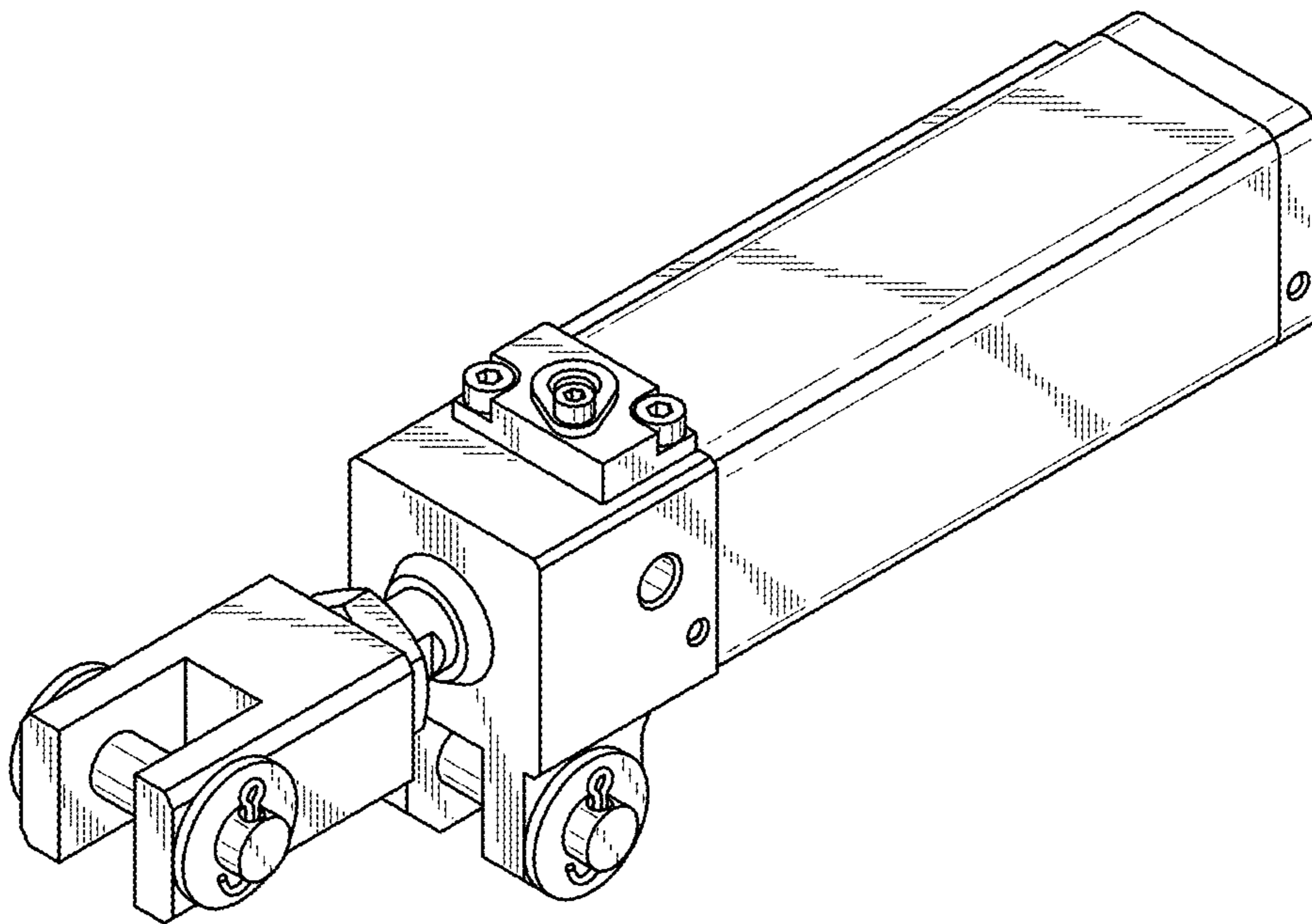


FIG. 26

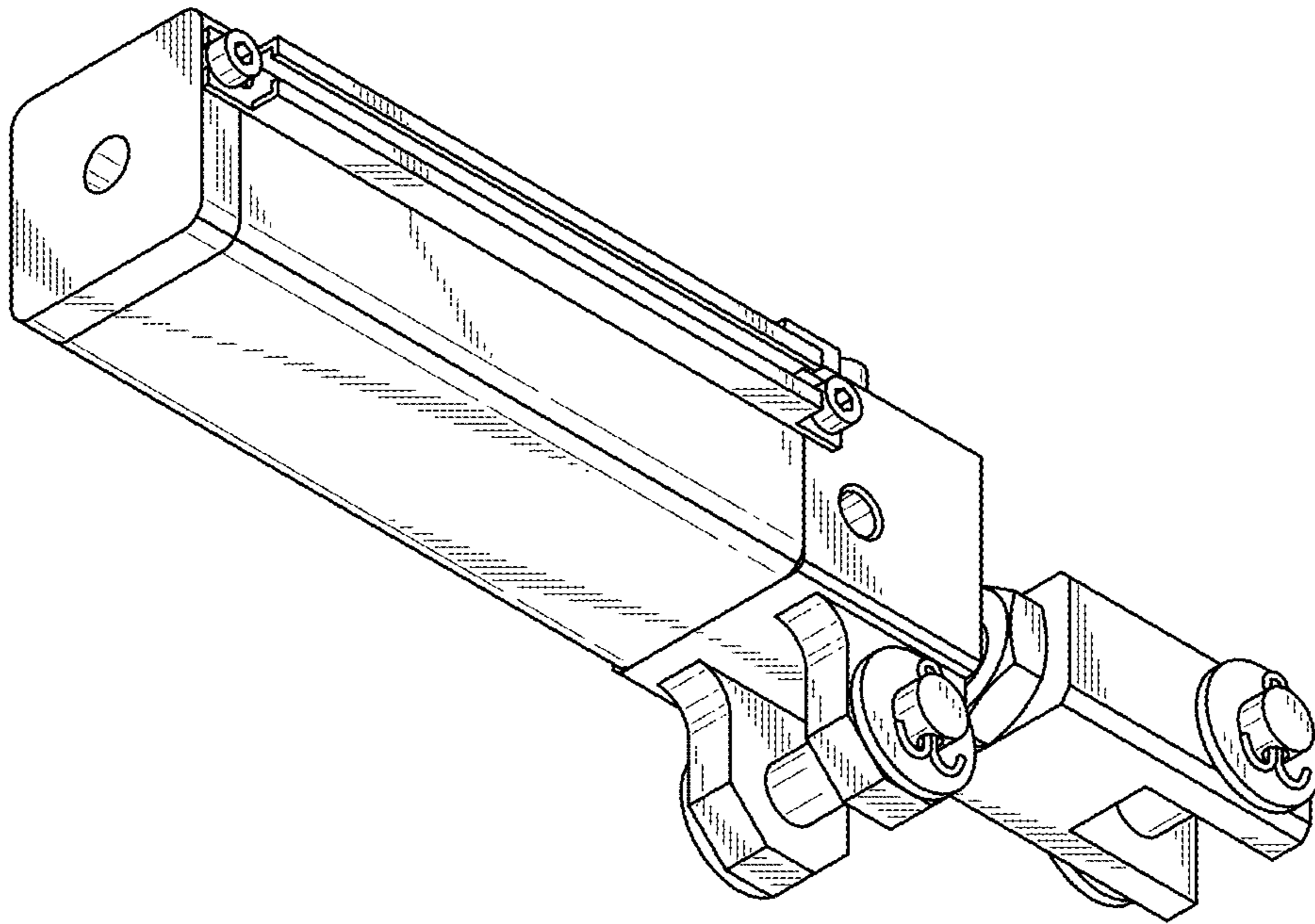


FIG. 27

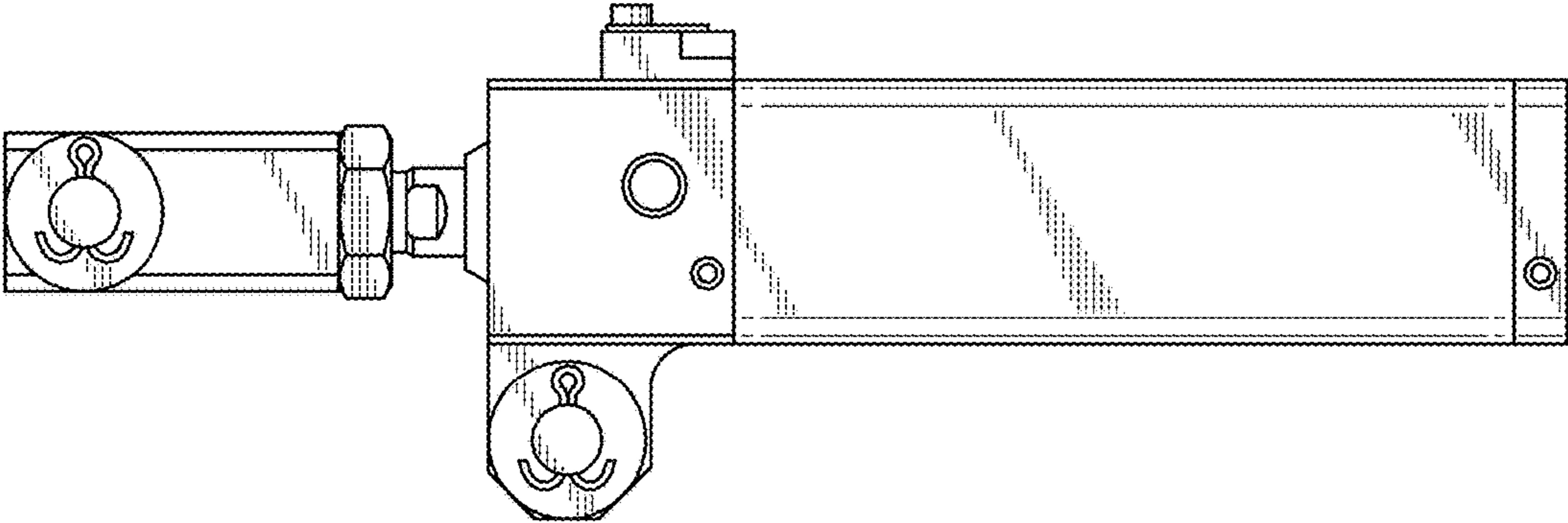


FIG. 28

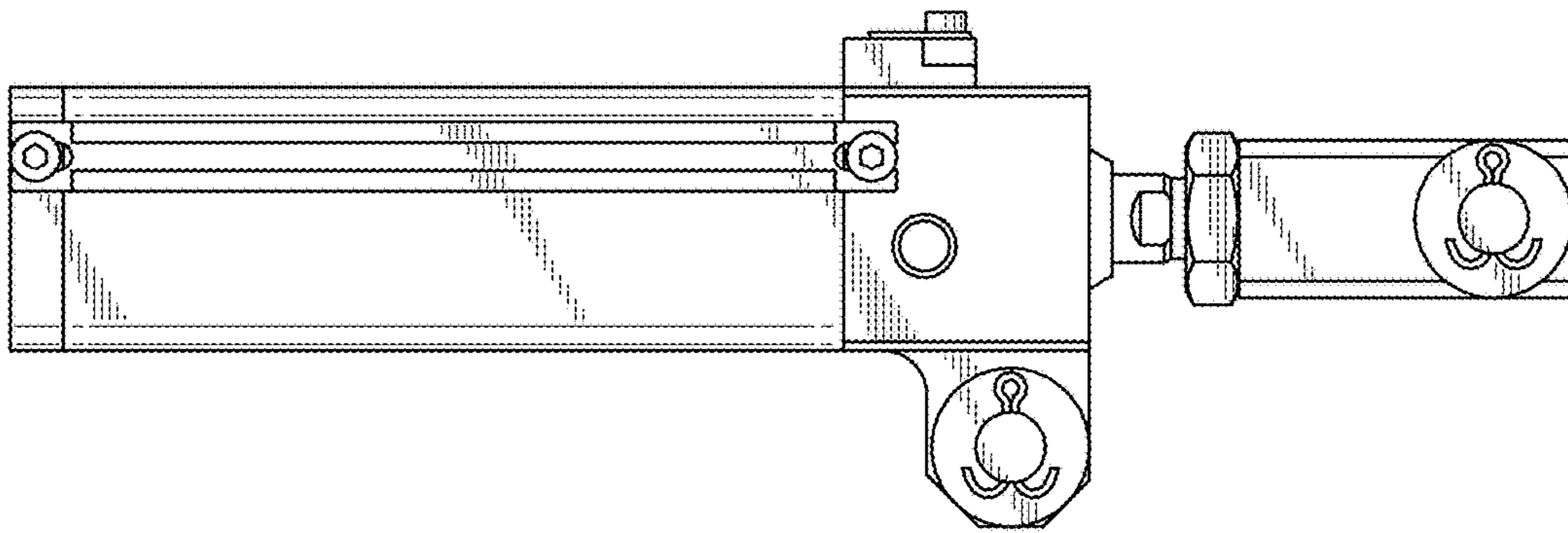


FIG. 29

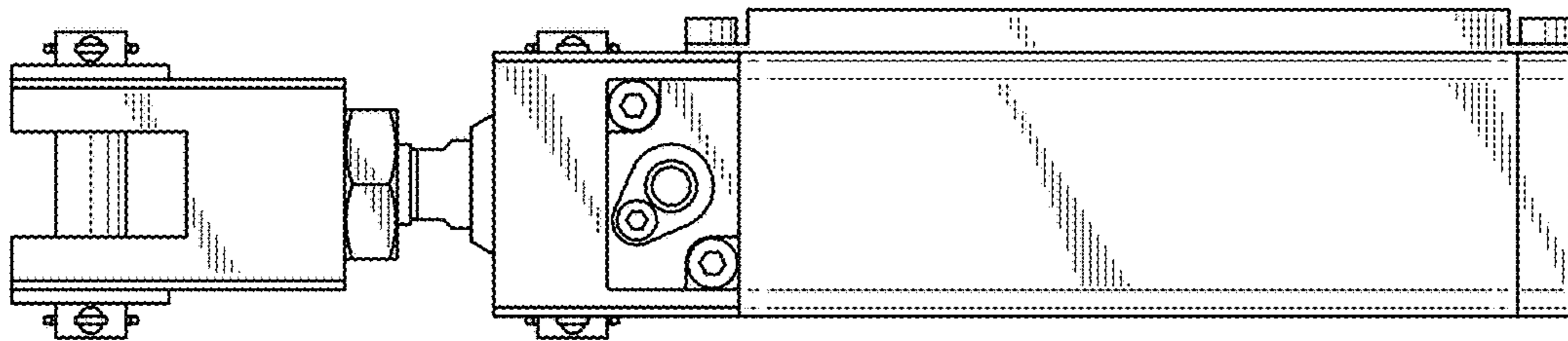


FIG. 30

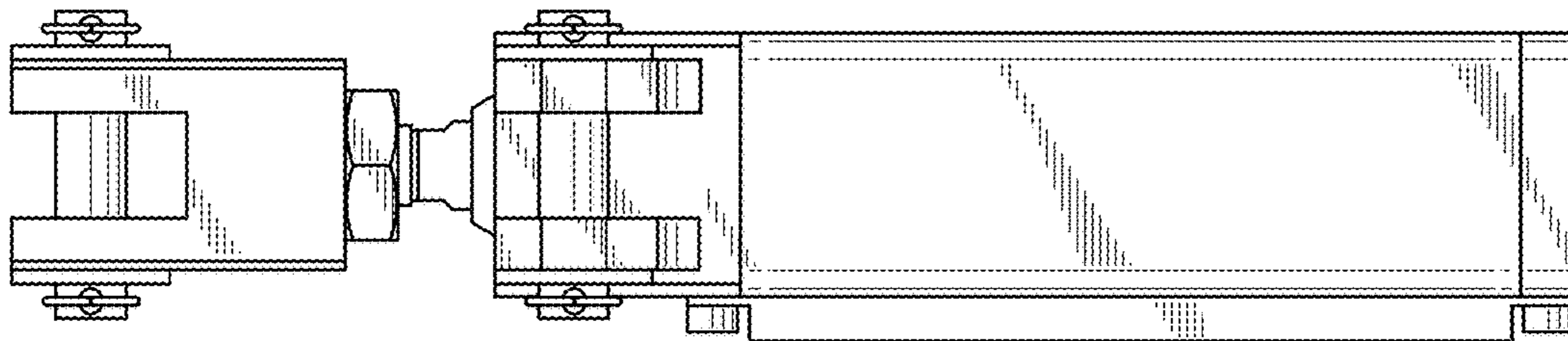


FIG. 31

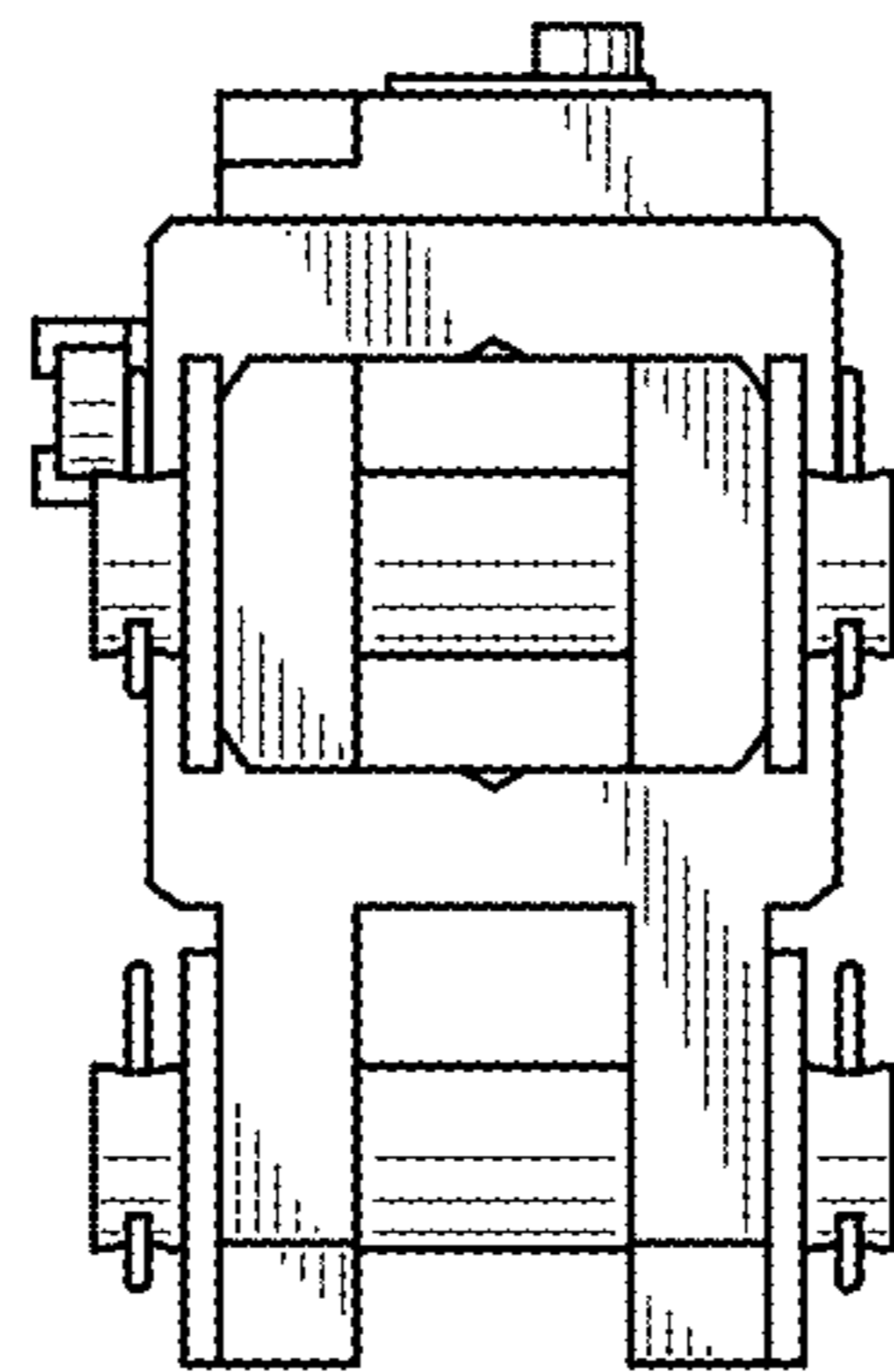


FIG. 32

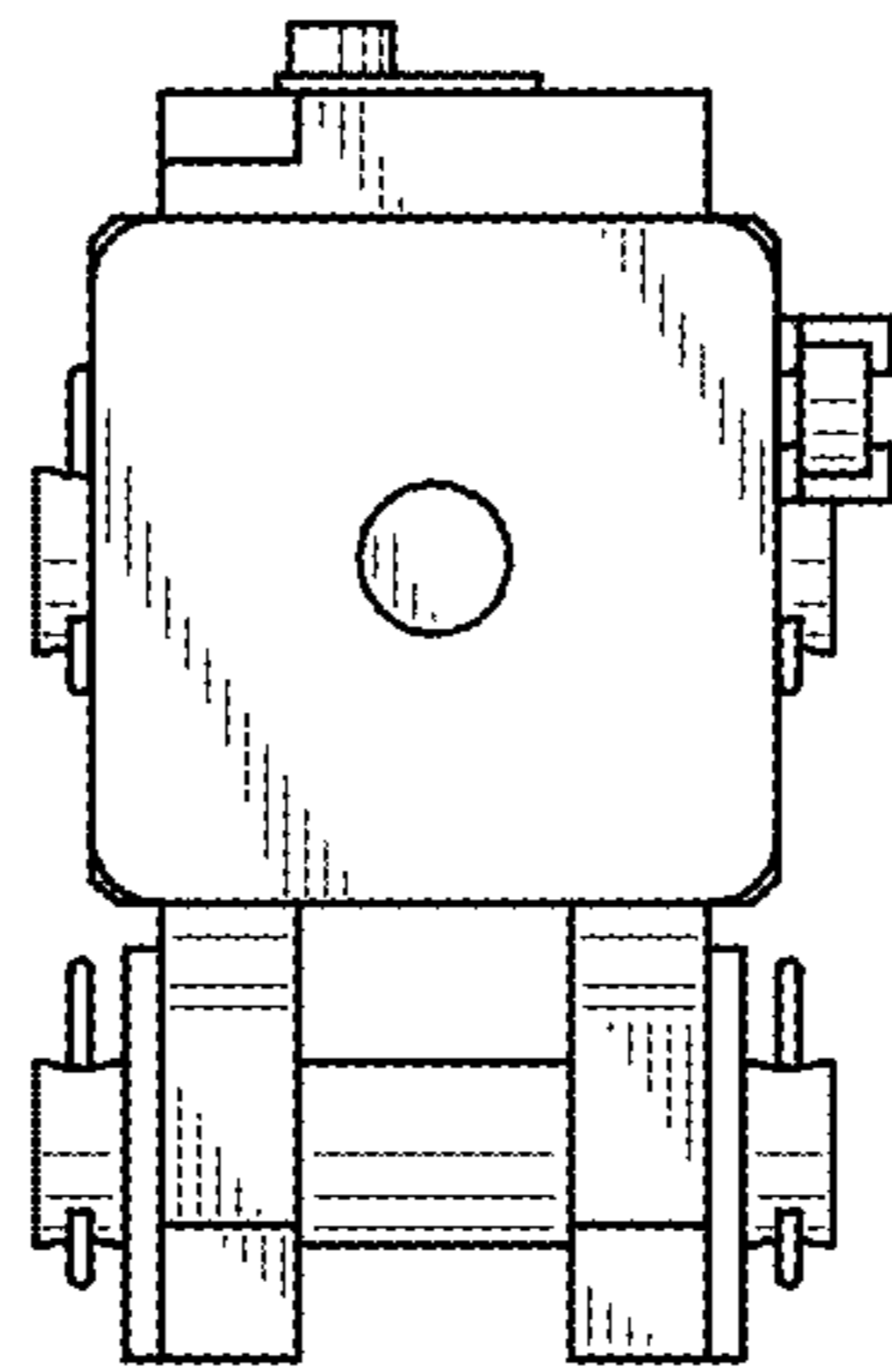


FIG. 33

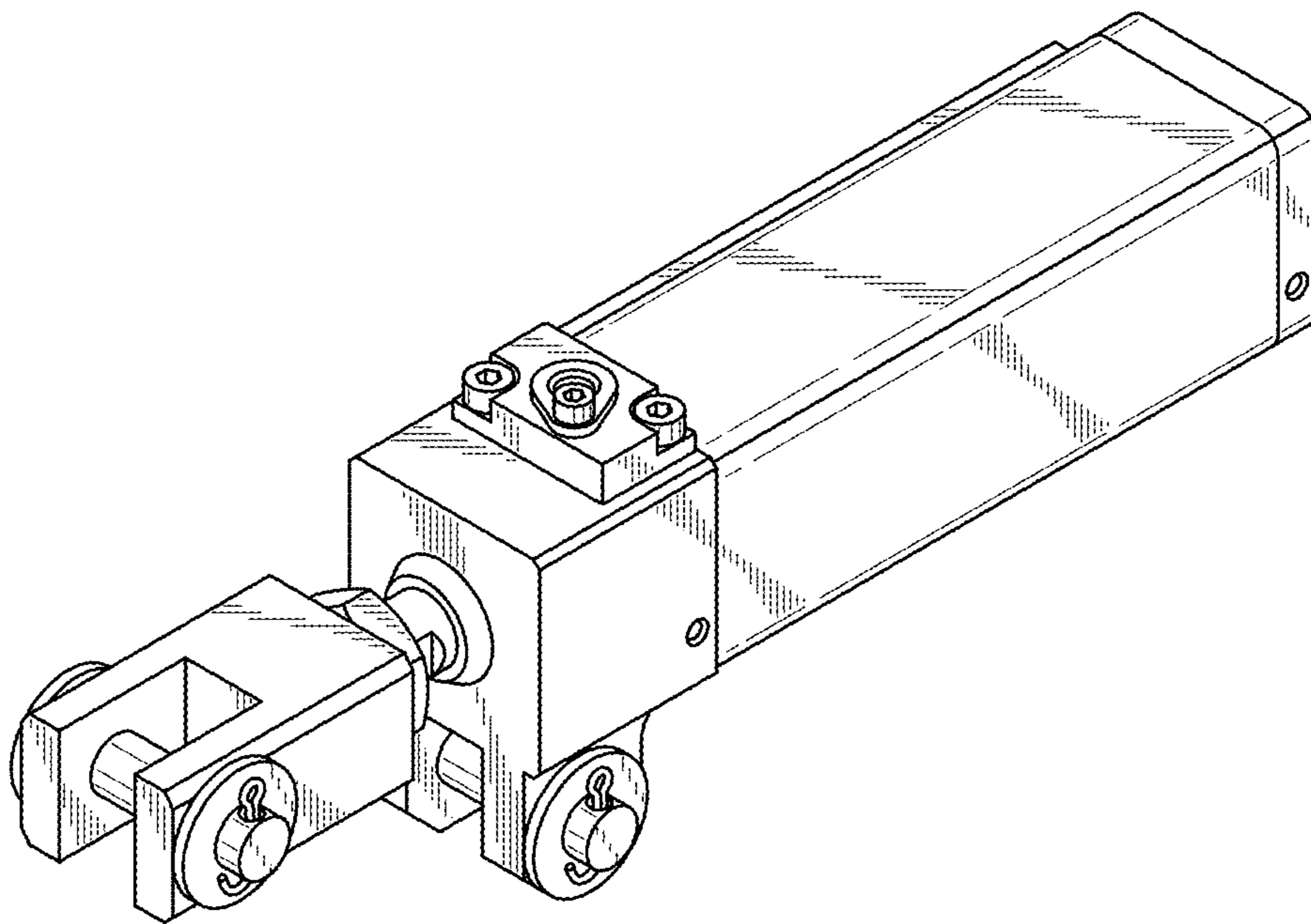


FIG. 34

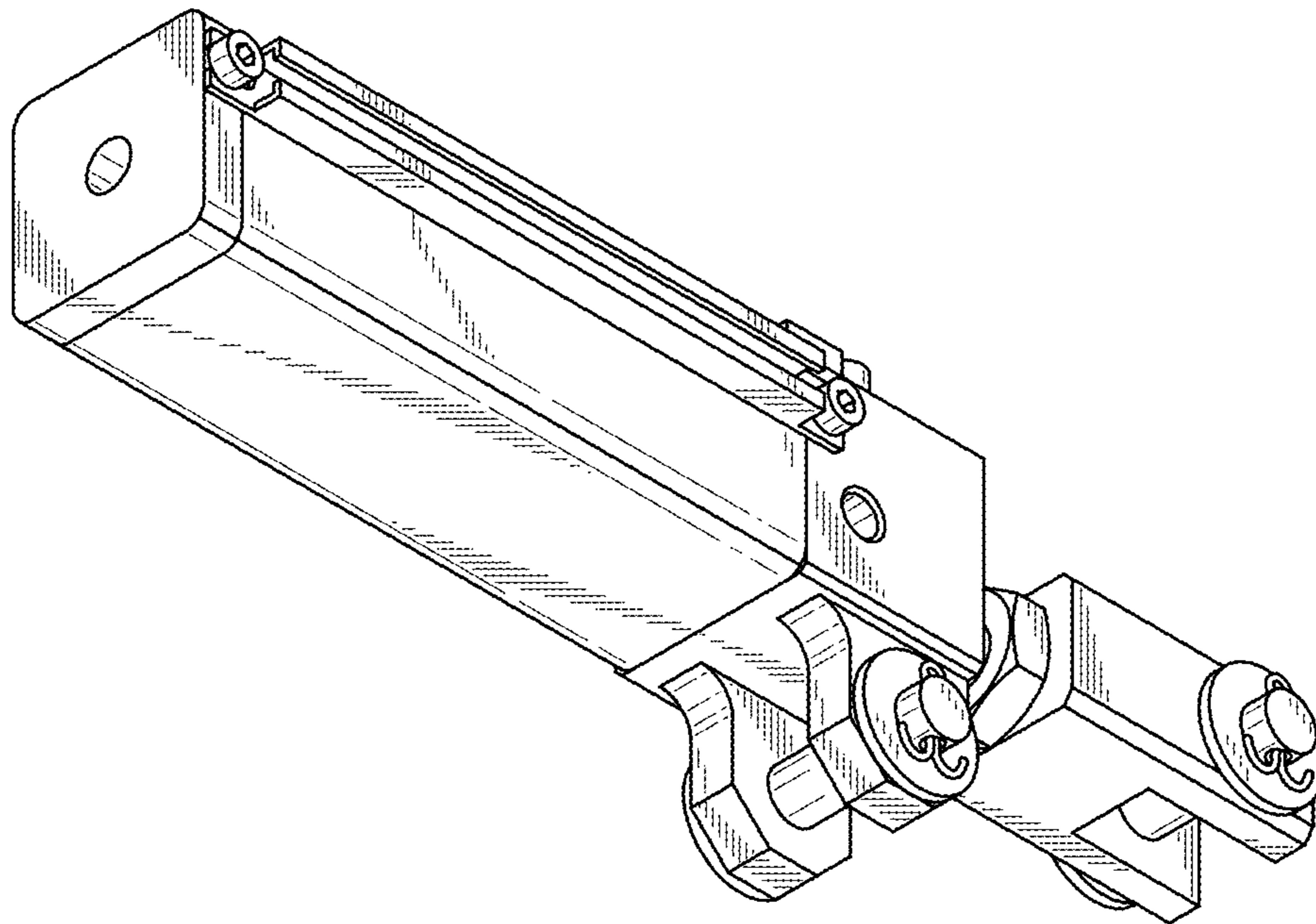


FIG. 35

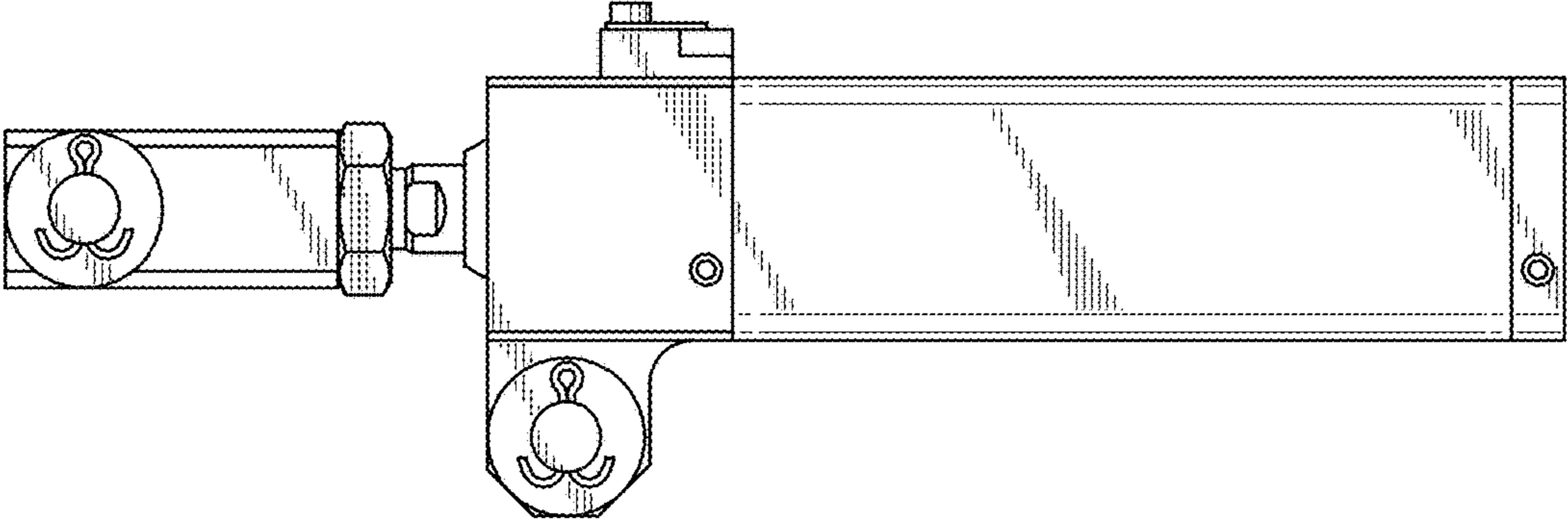


FIG. 36

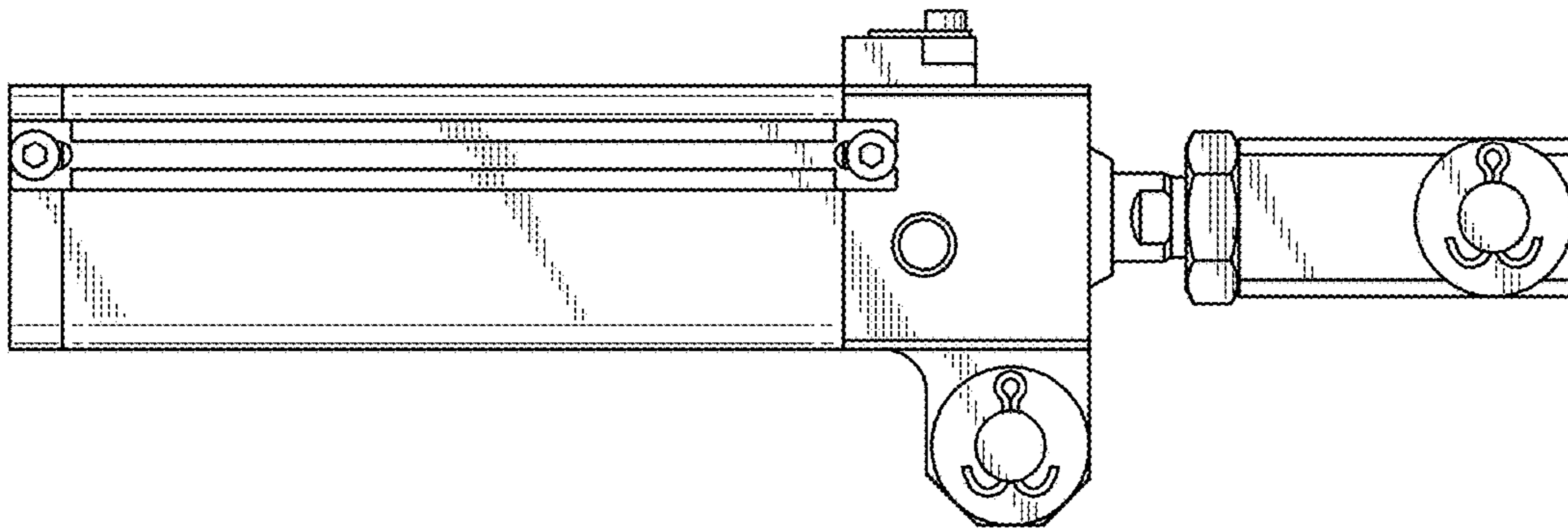


FIG. 37

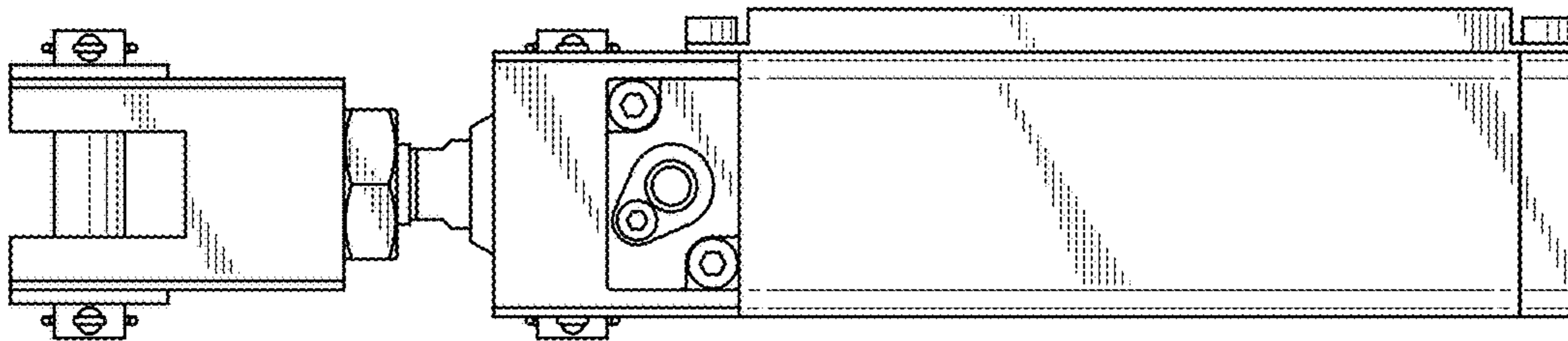


FIG. 38

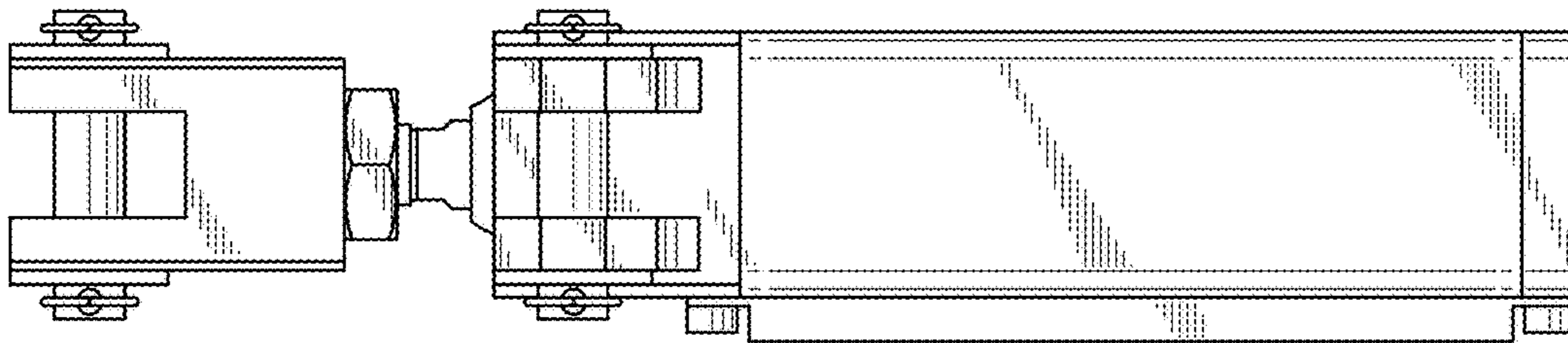


FIG. 39

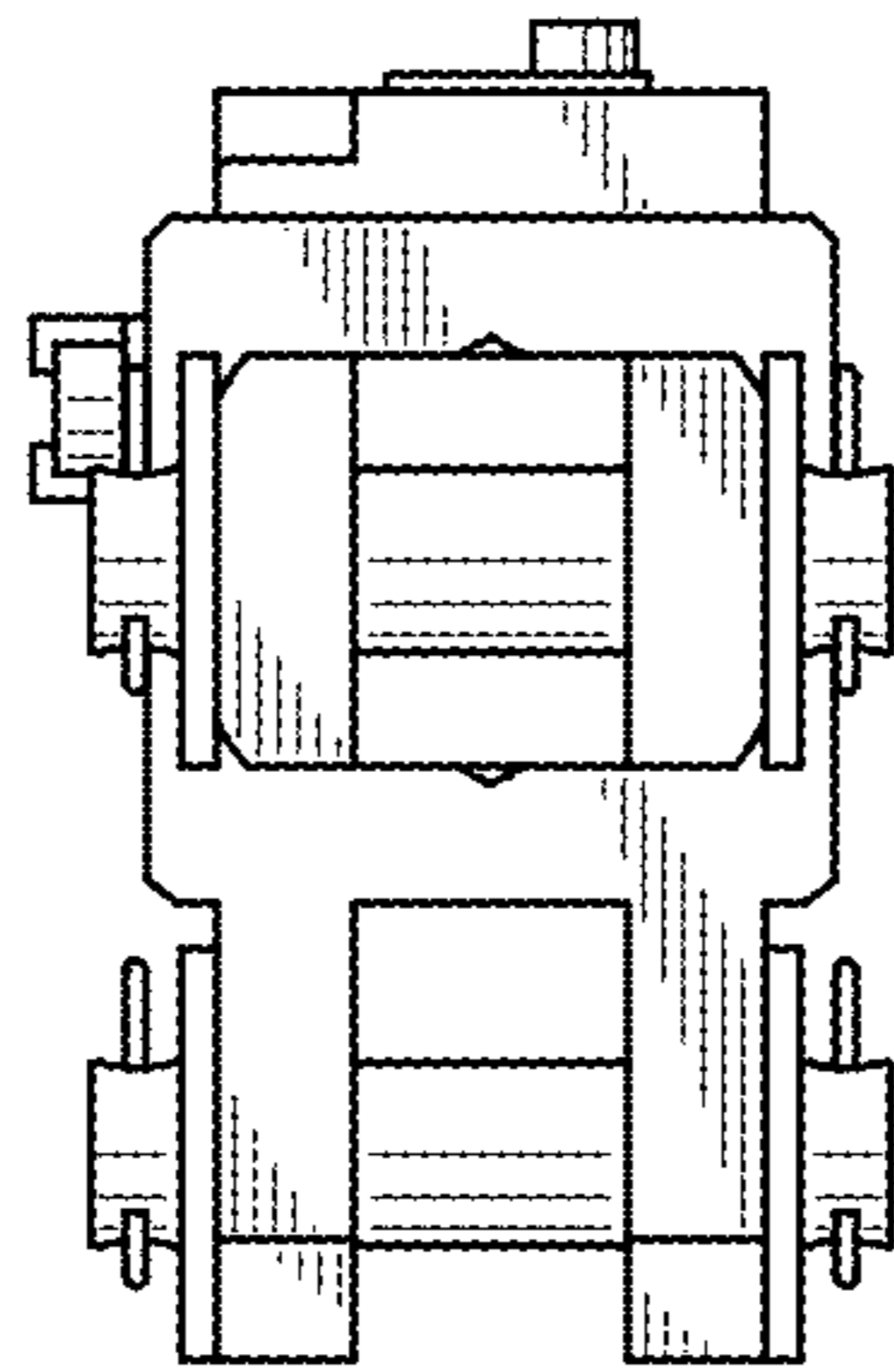


FIG. 40

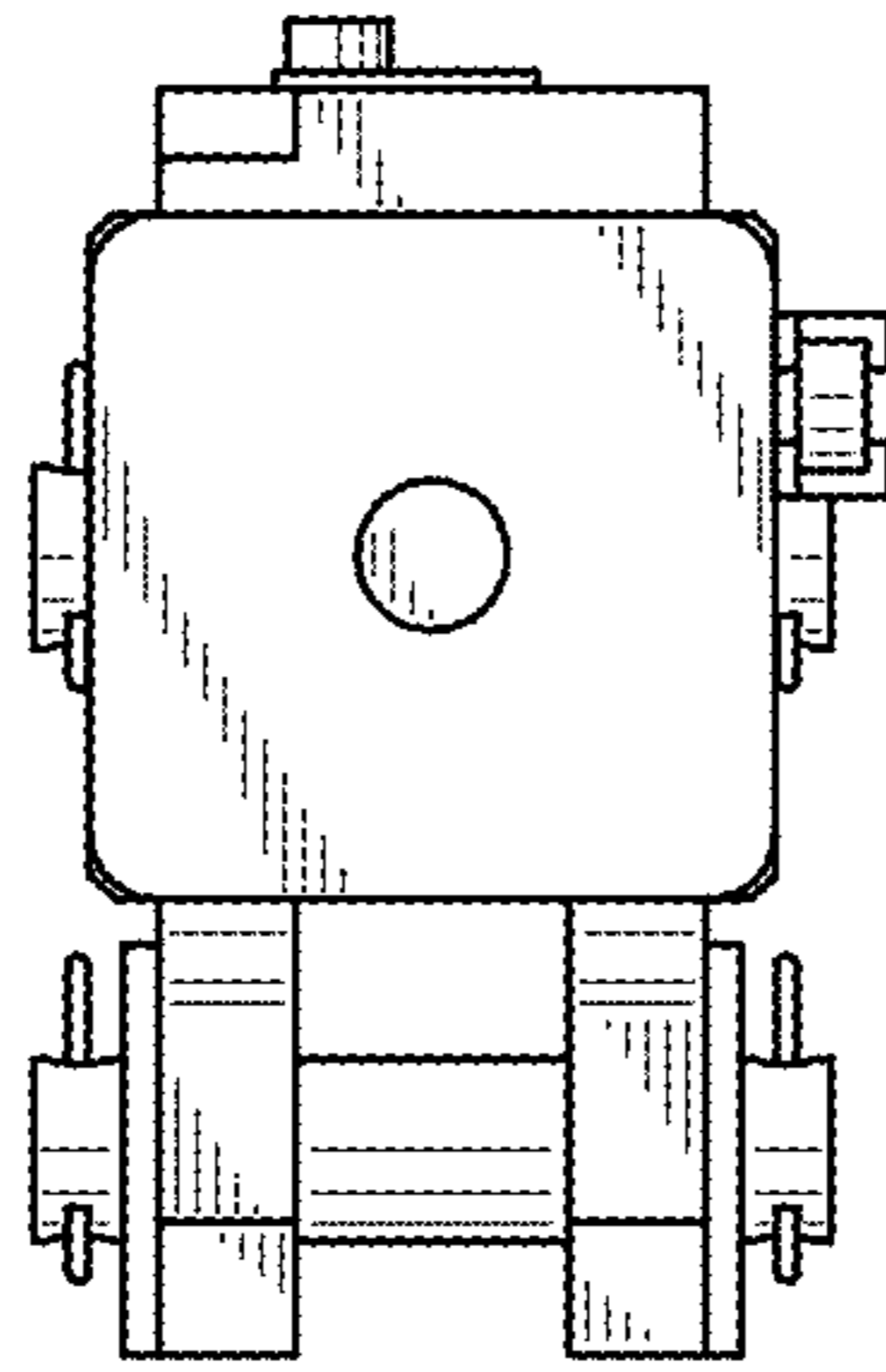


FIG. 41

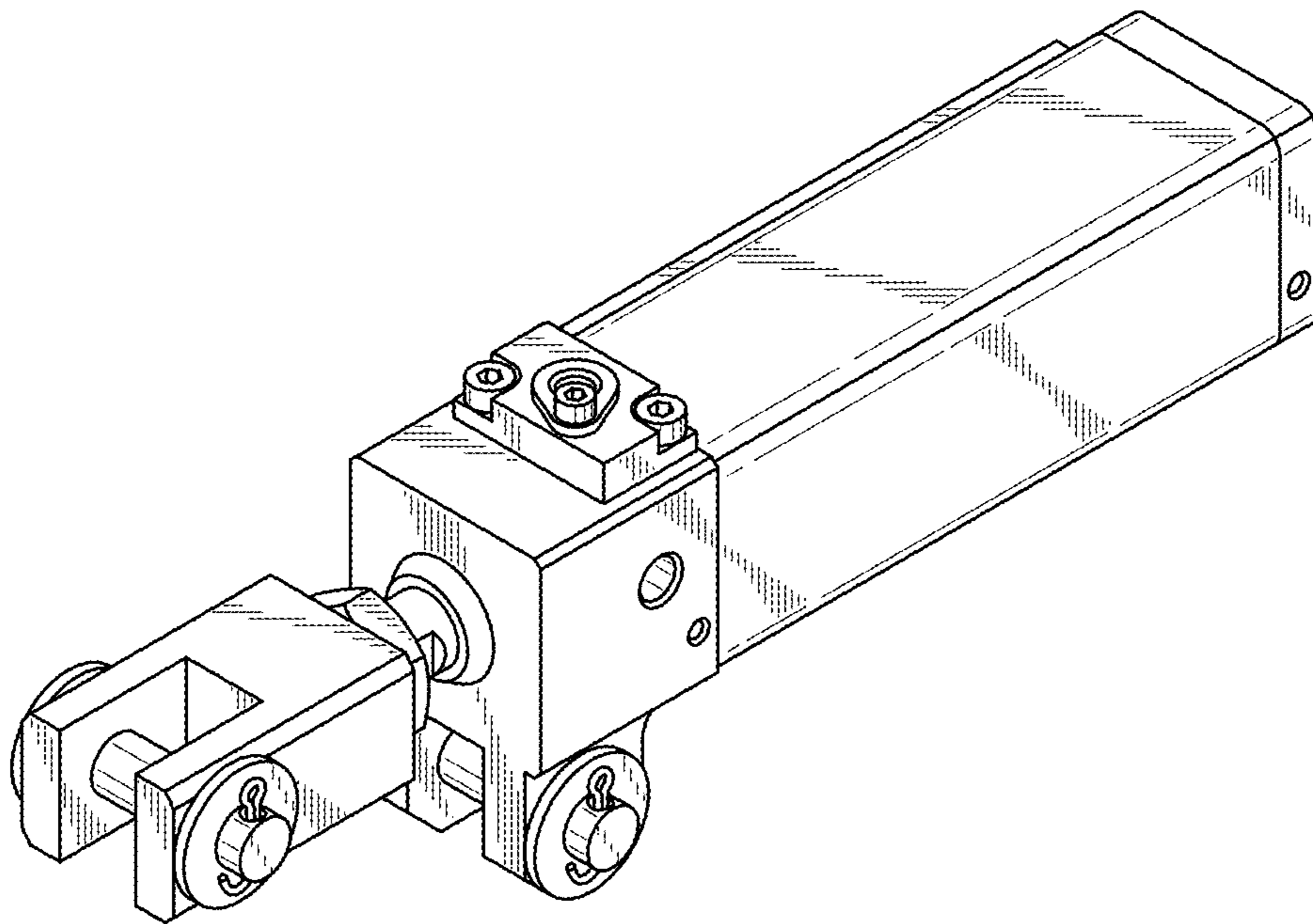


FIG. 42

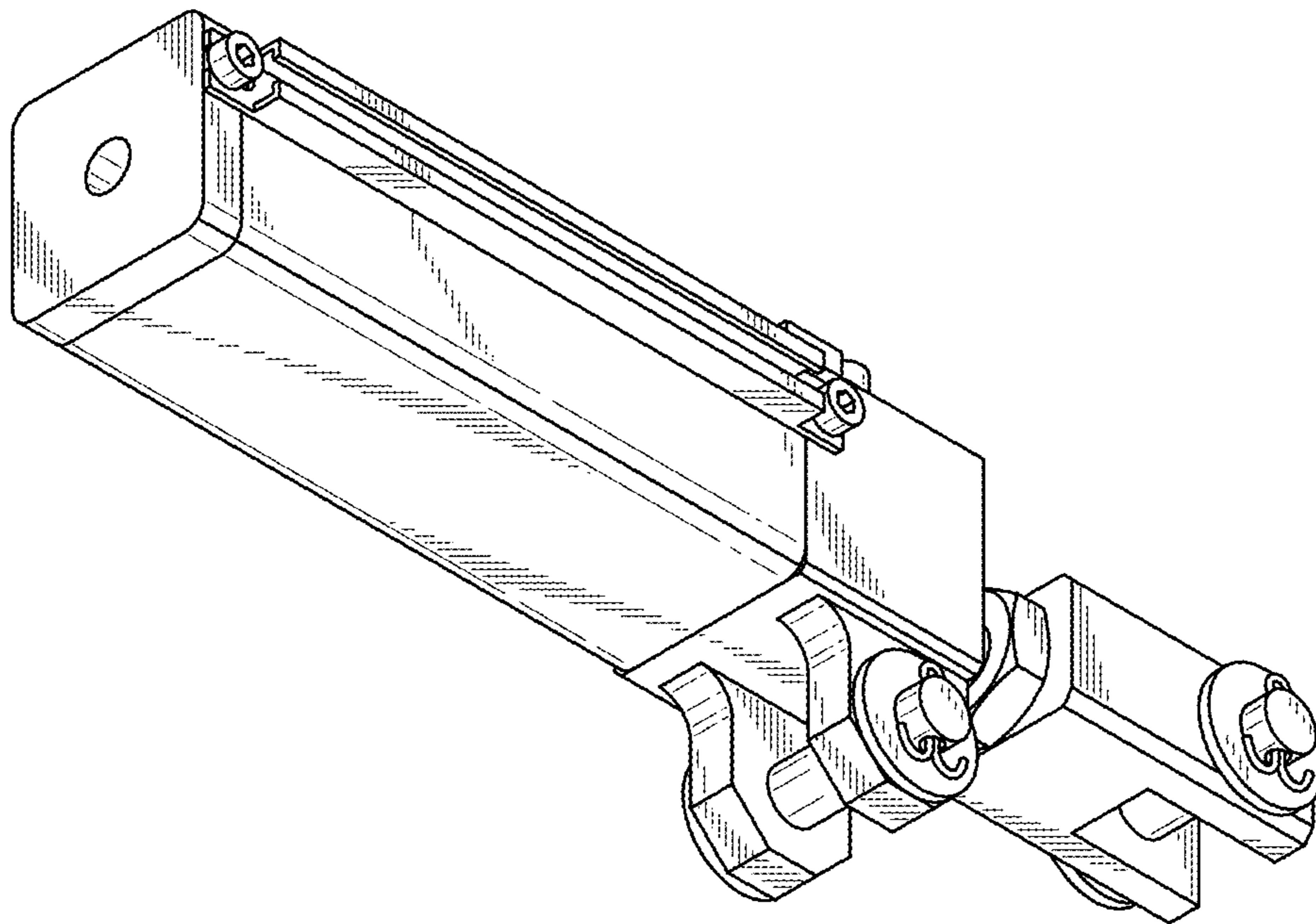


FIG. 43

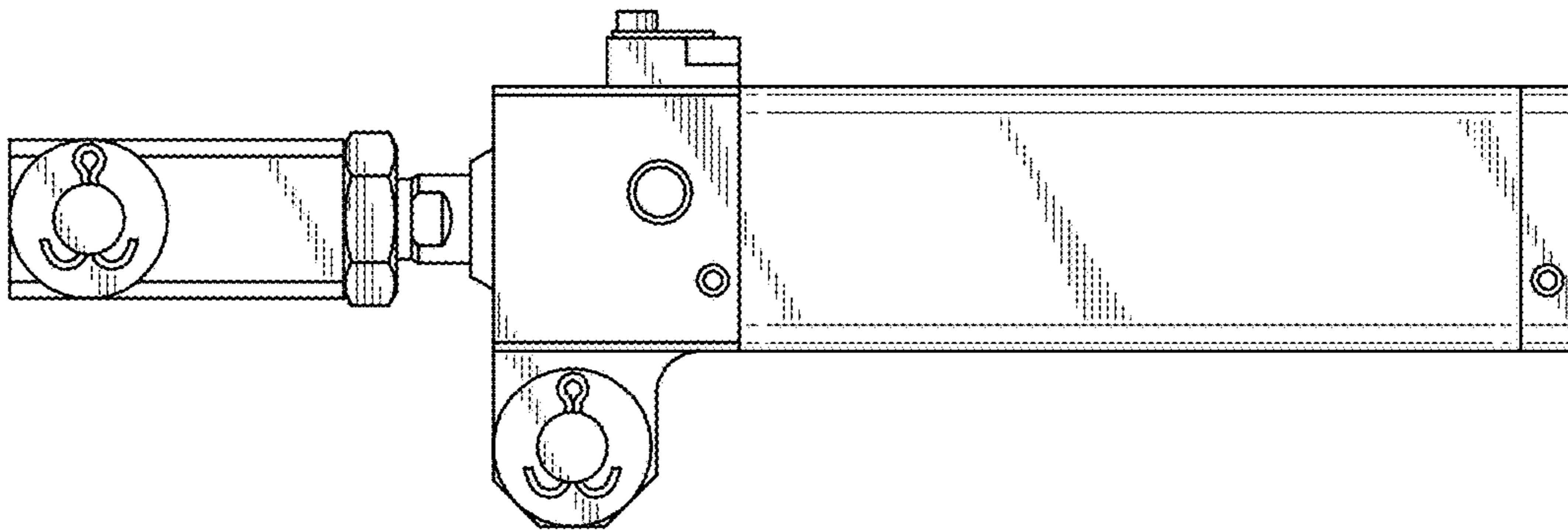


FIG. 44

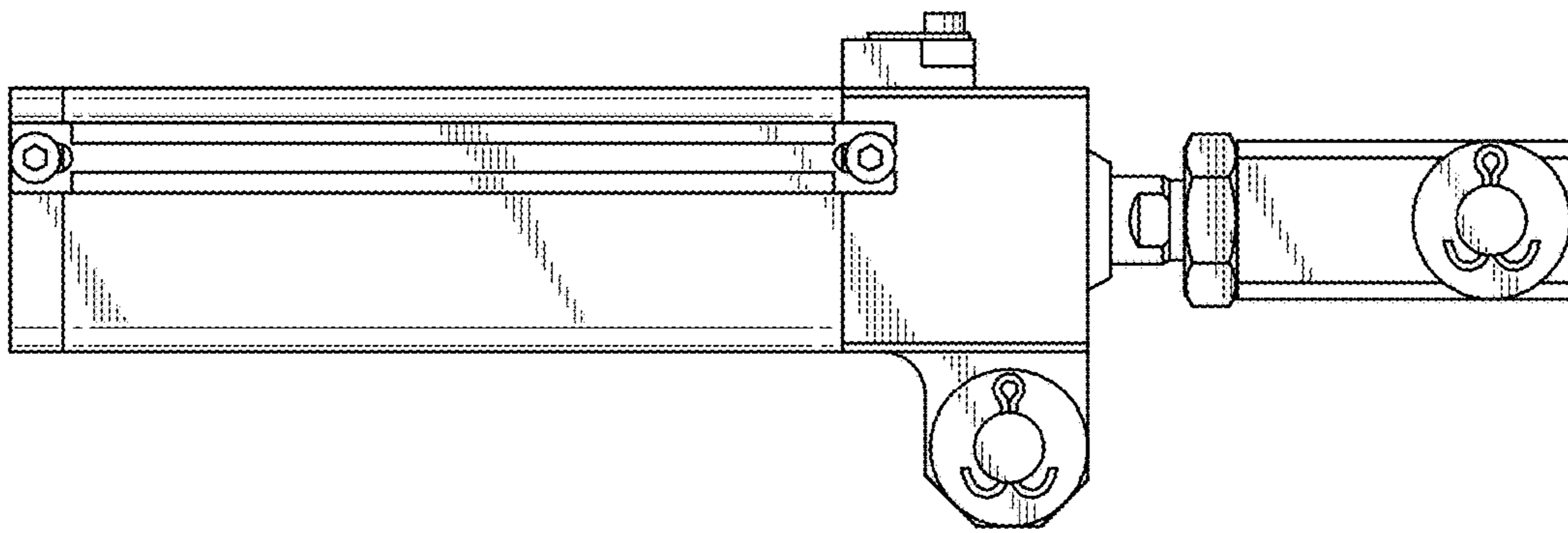


FIG. 45

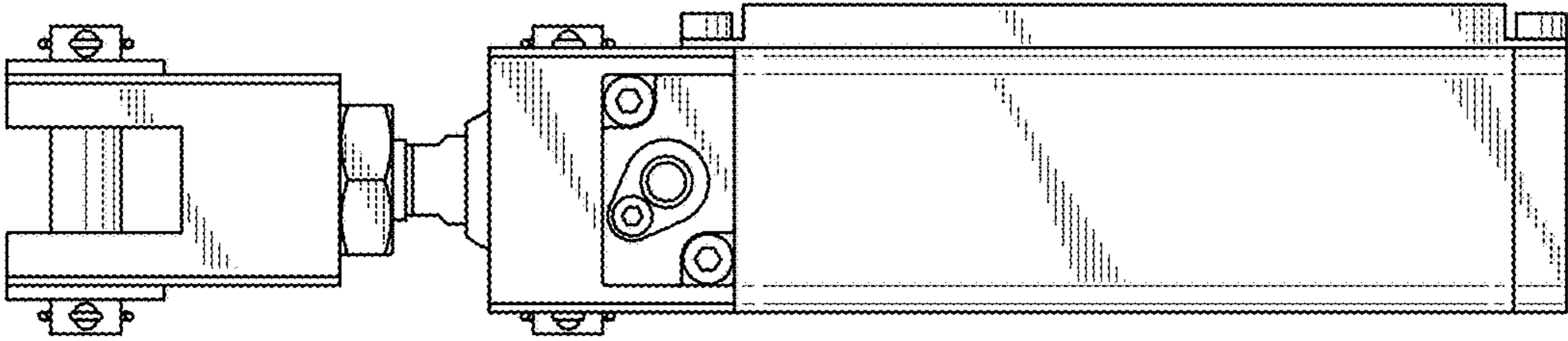


FIG. 46

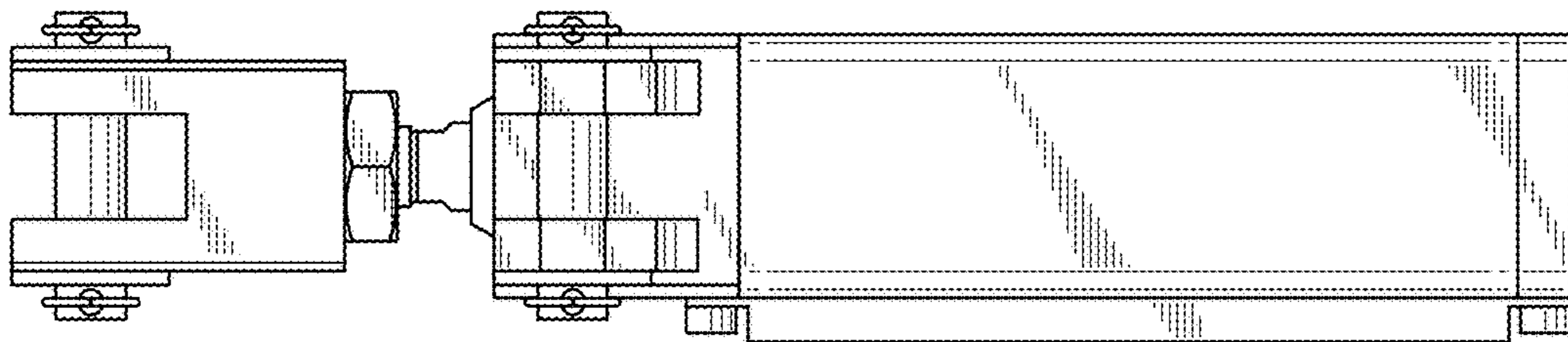


FIG. 47

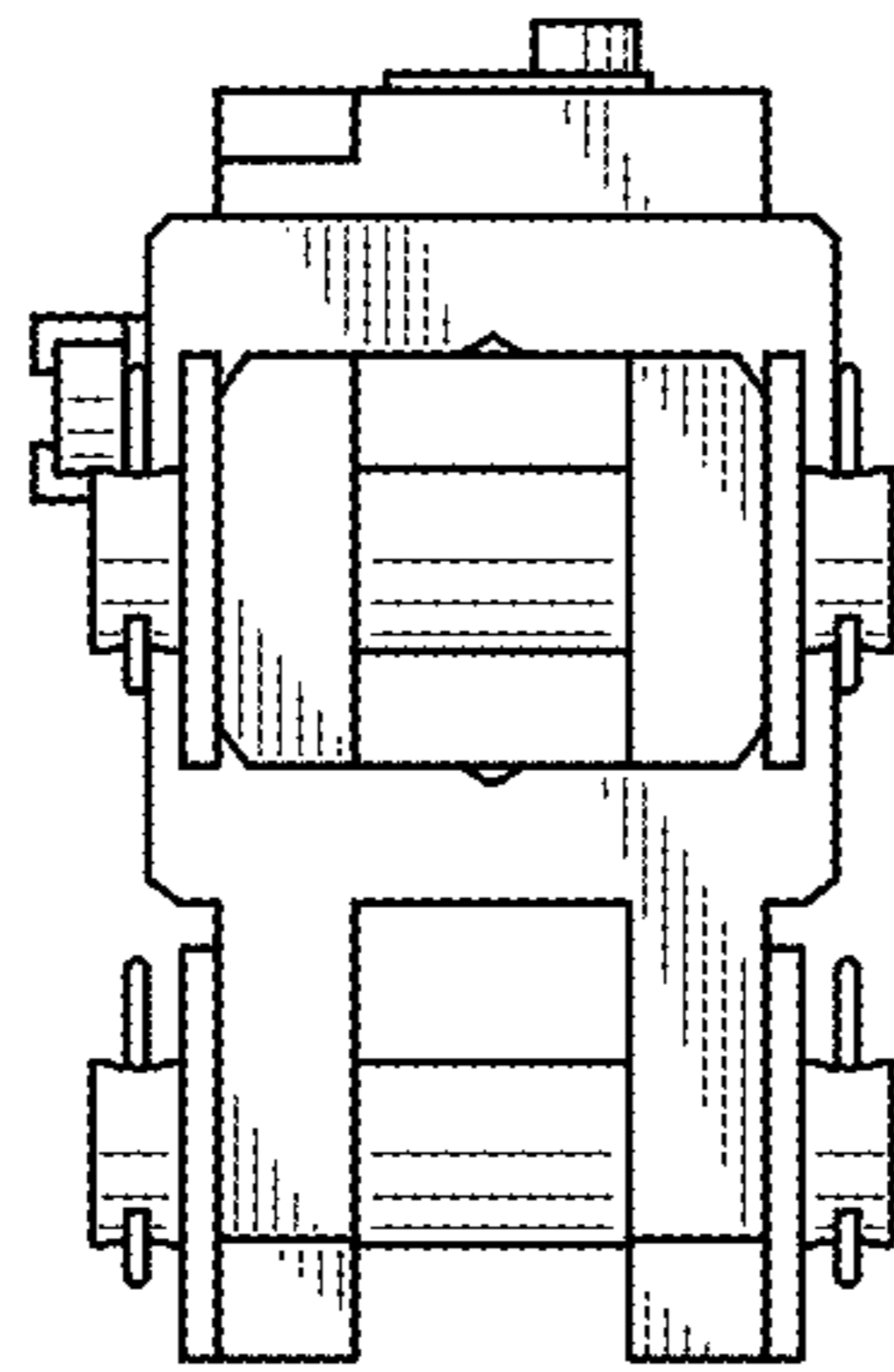


FIG. 48

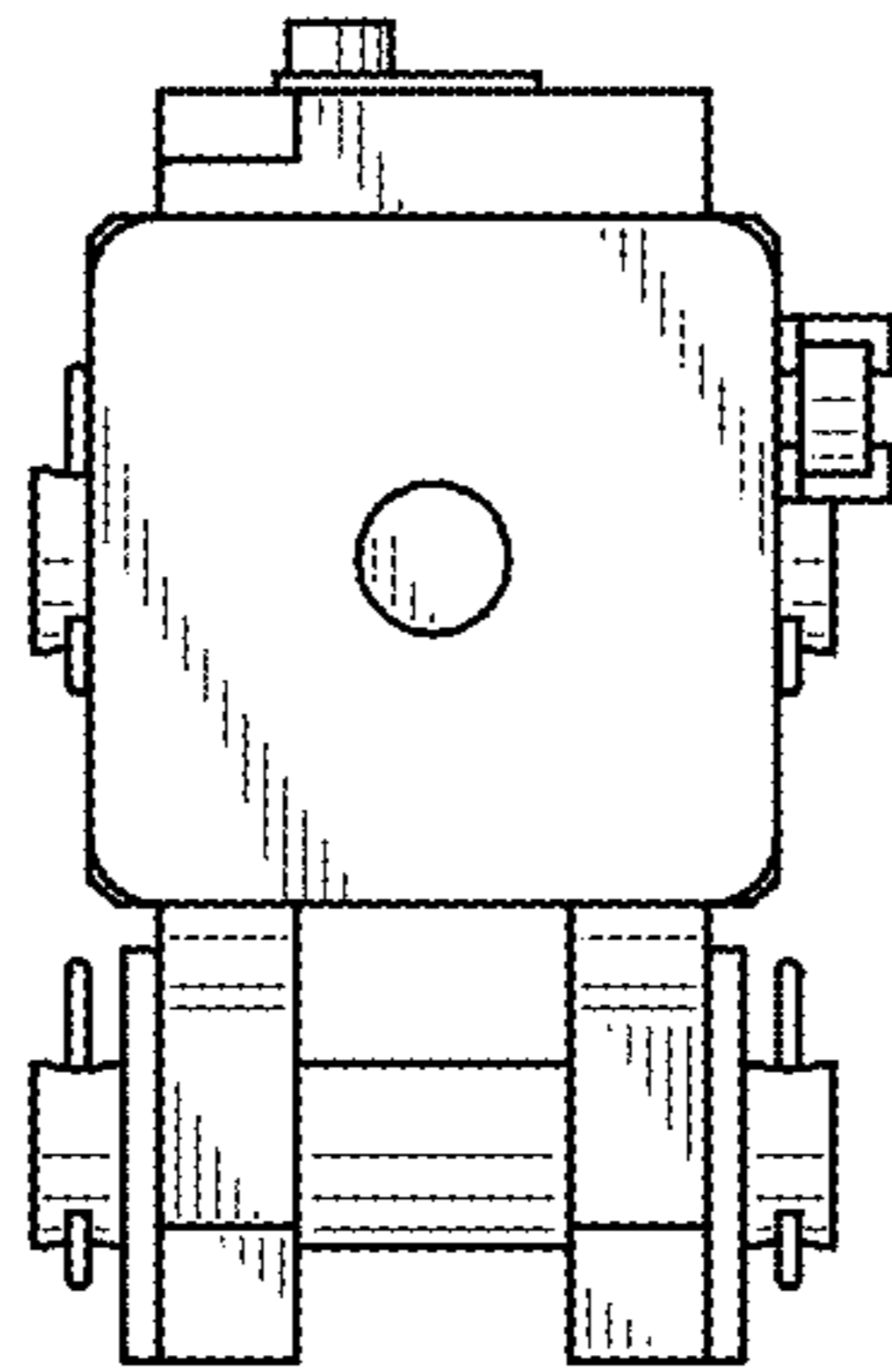


FIG. 49

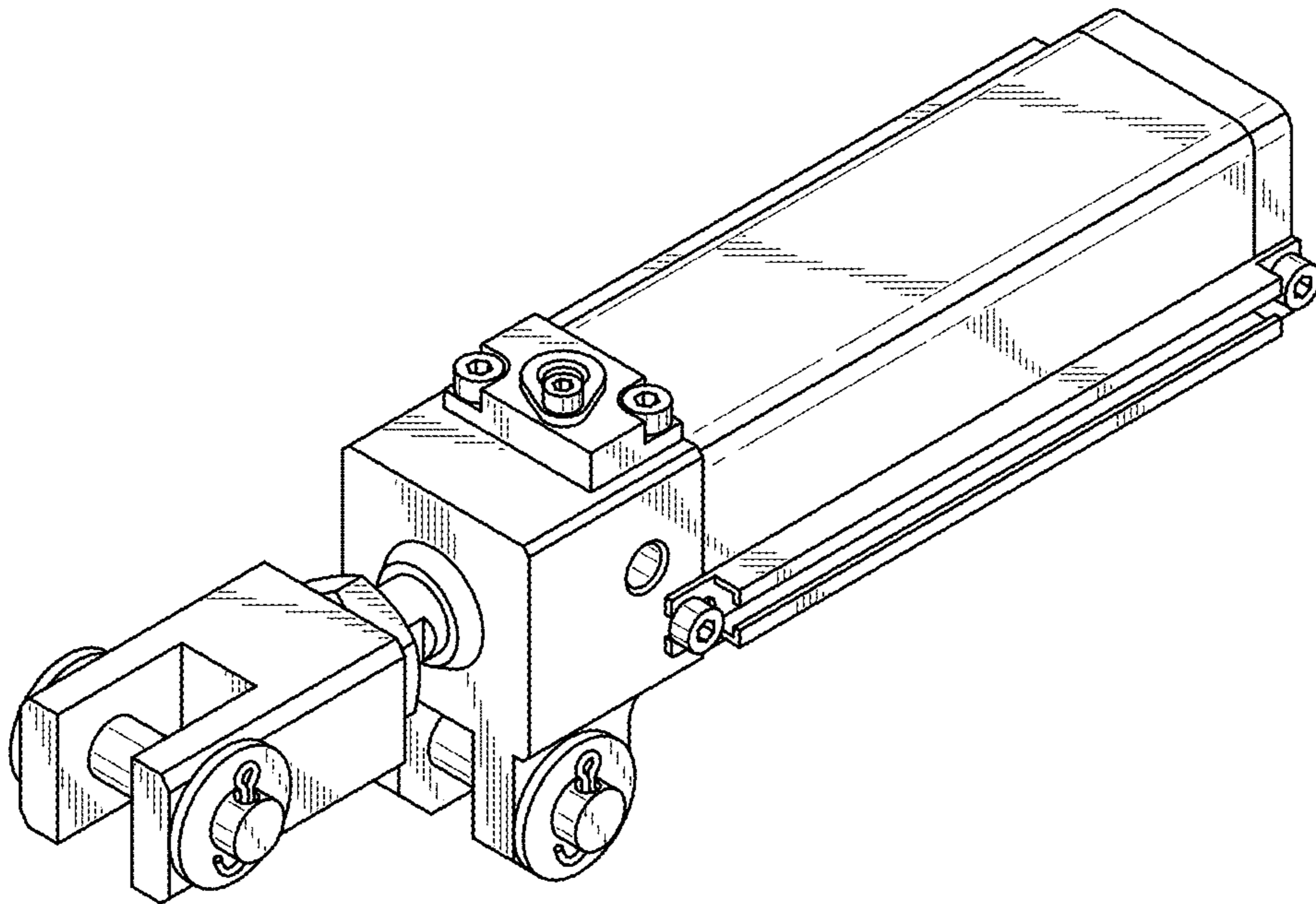


FIG. 50

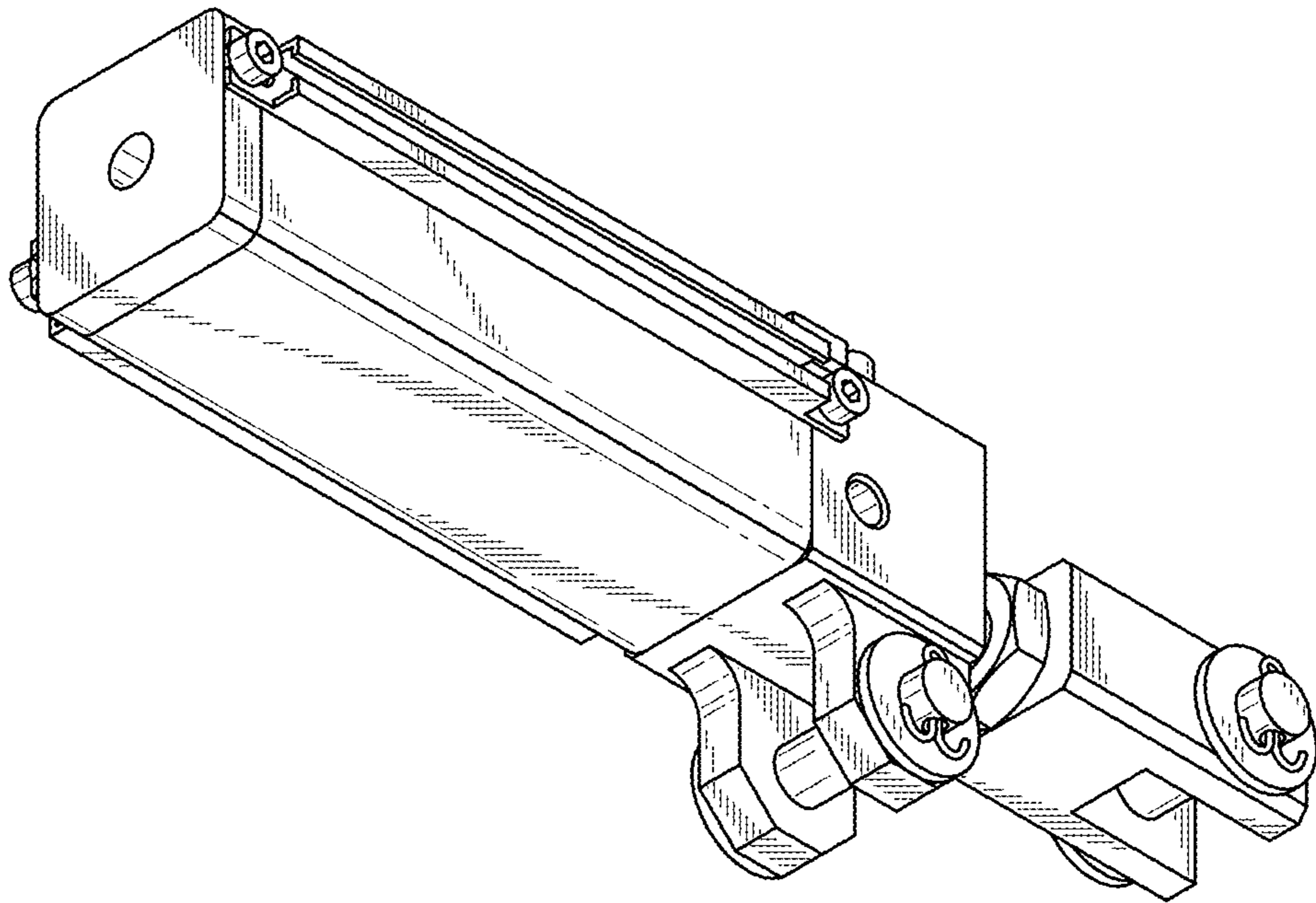


FIG. 51

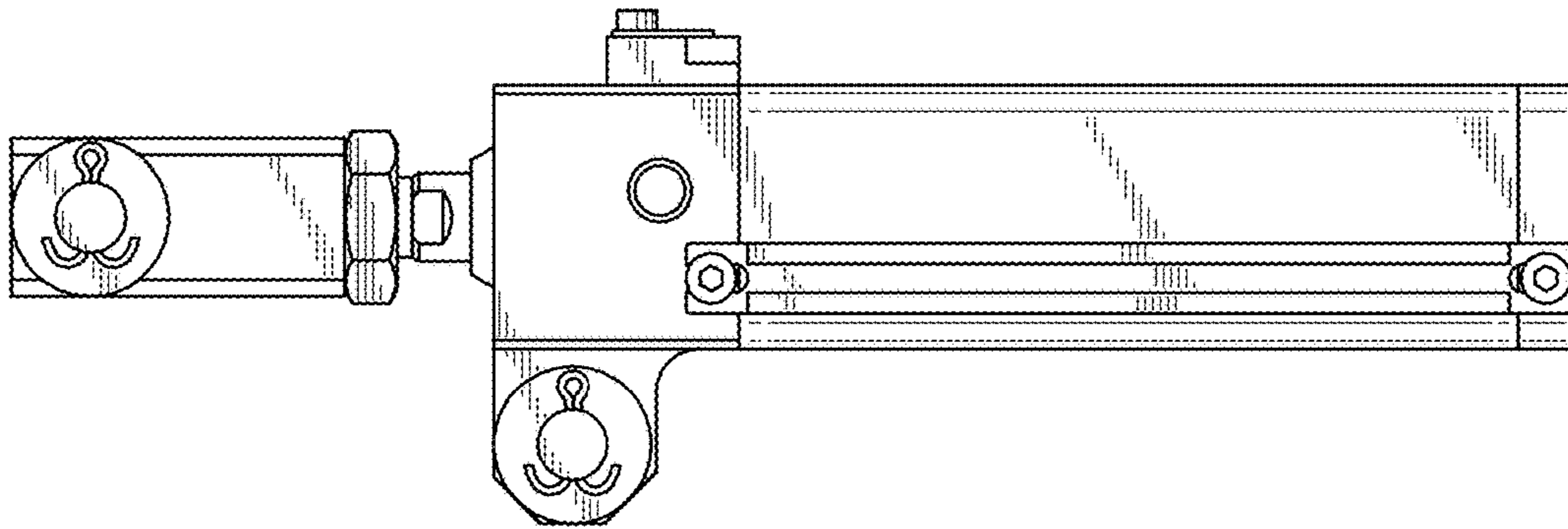


FIG. 52

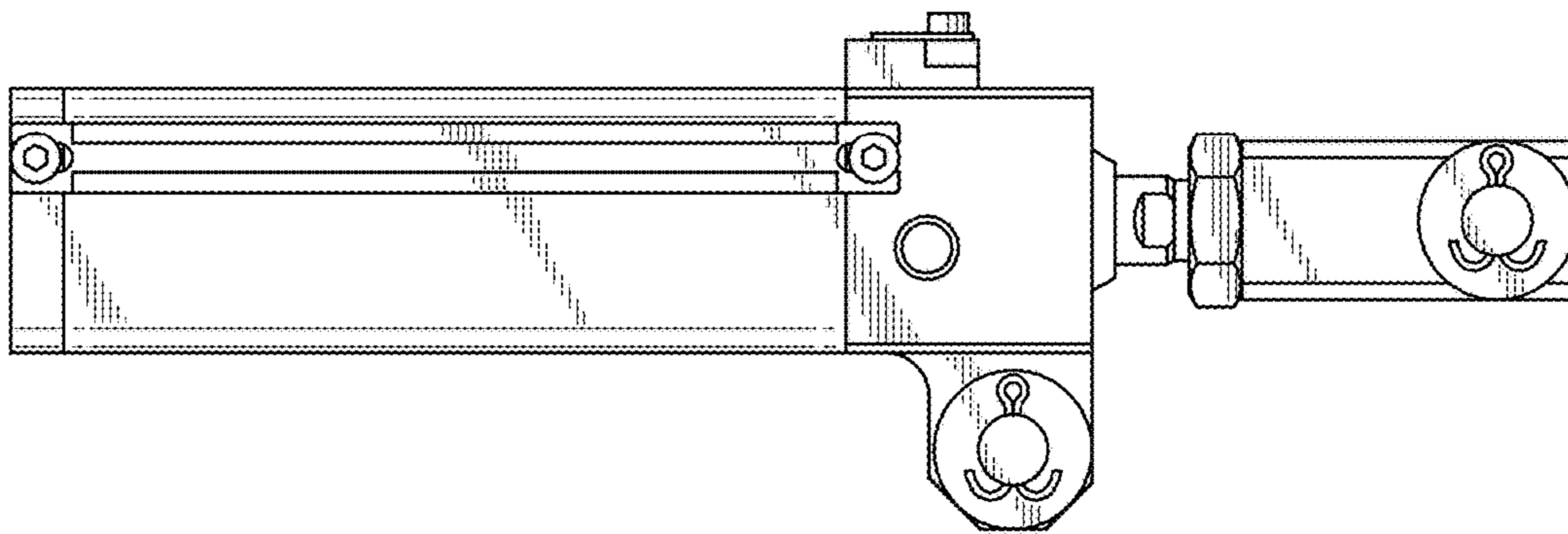


FIG. 53

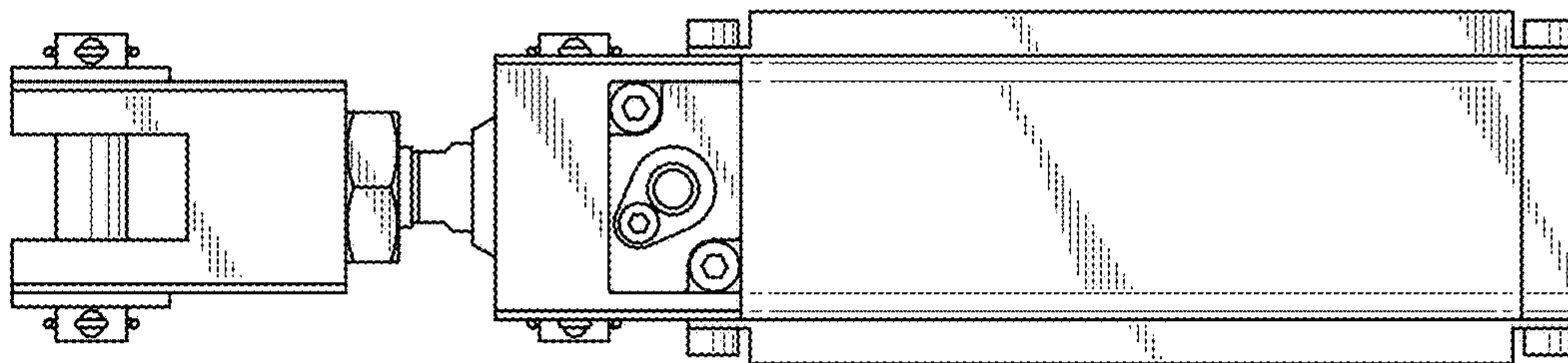


FIG. 54

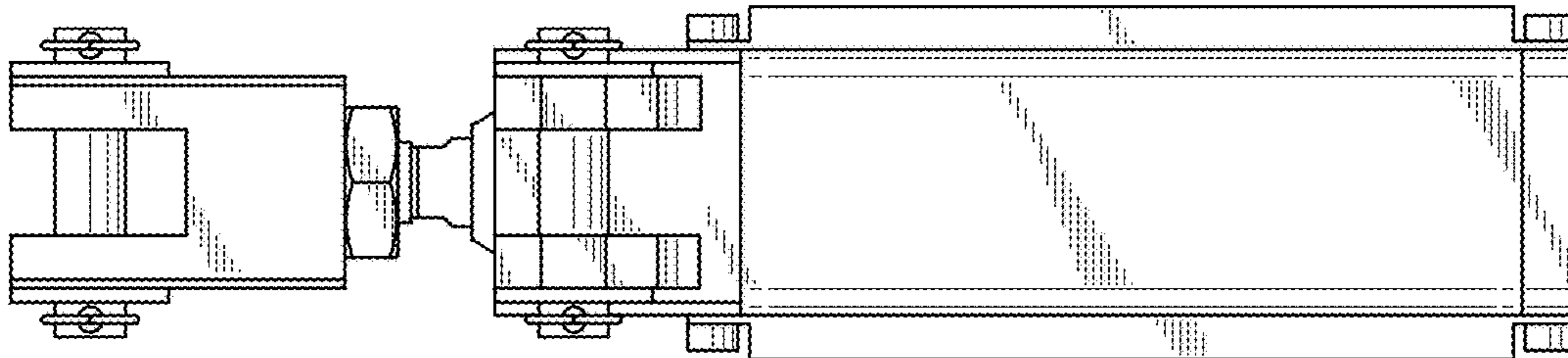


FIG. 55

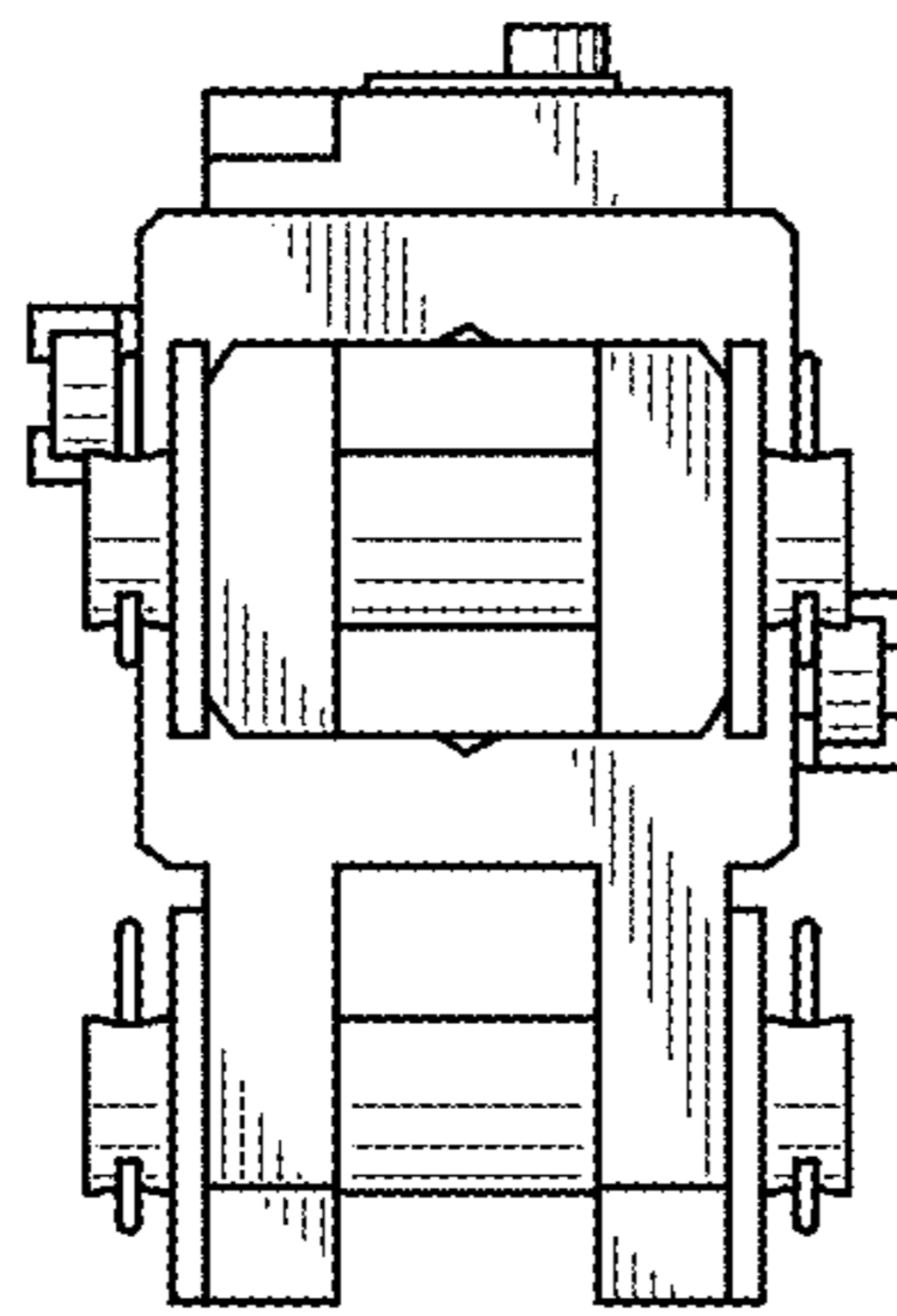


FIG. 56

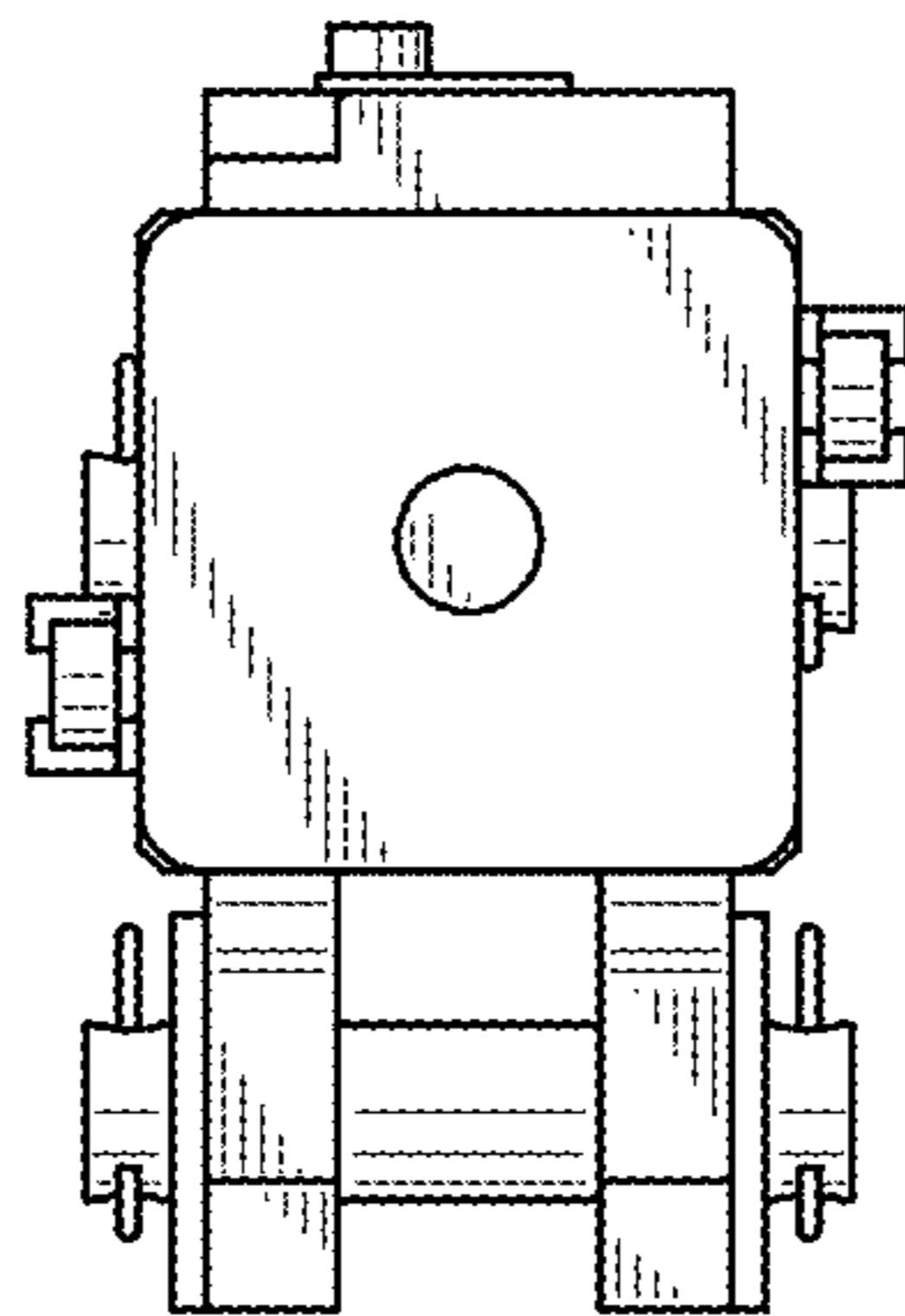


FIG. 57

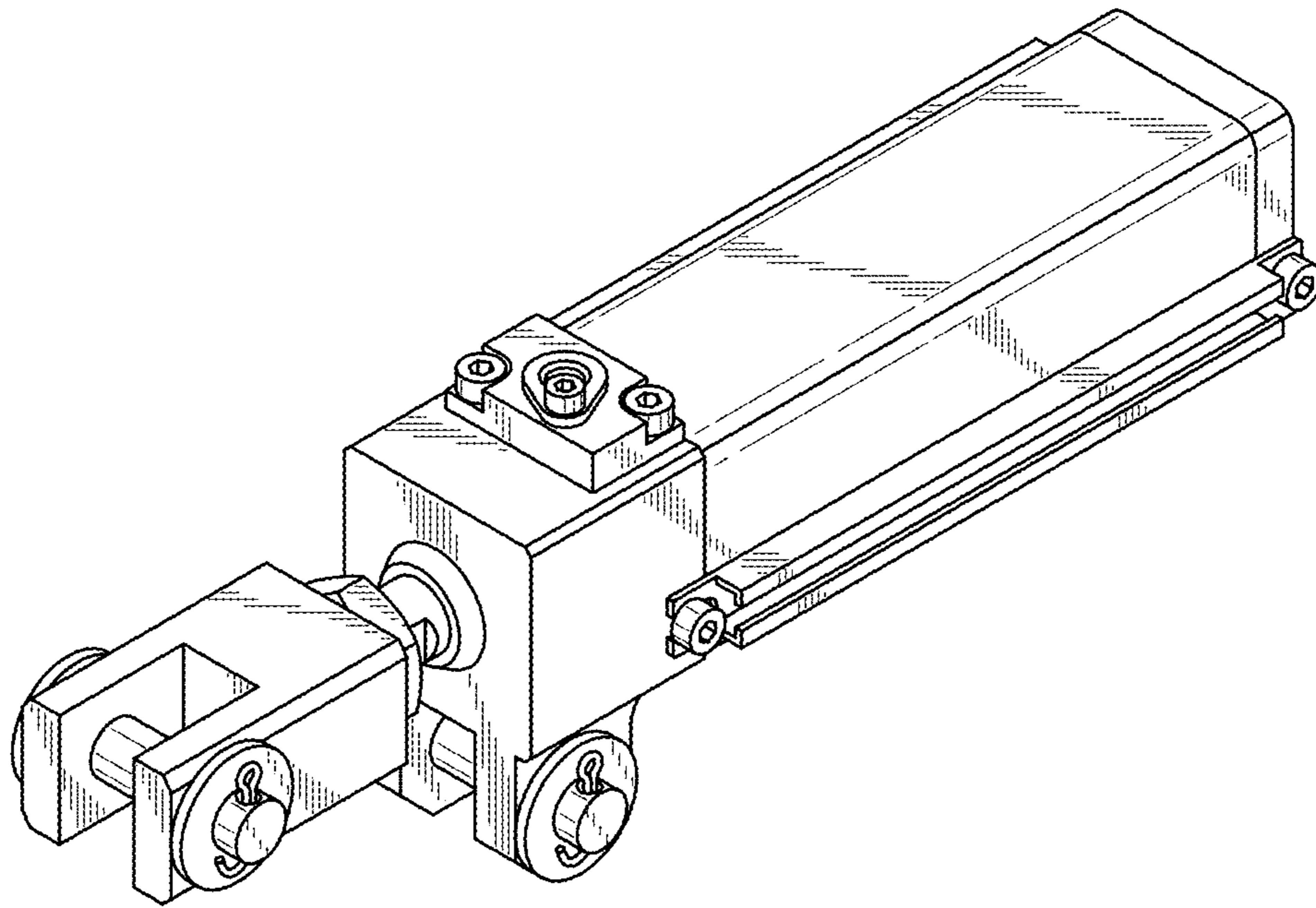


FIG. 58

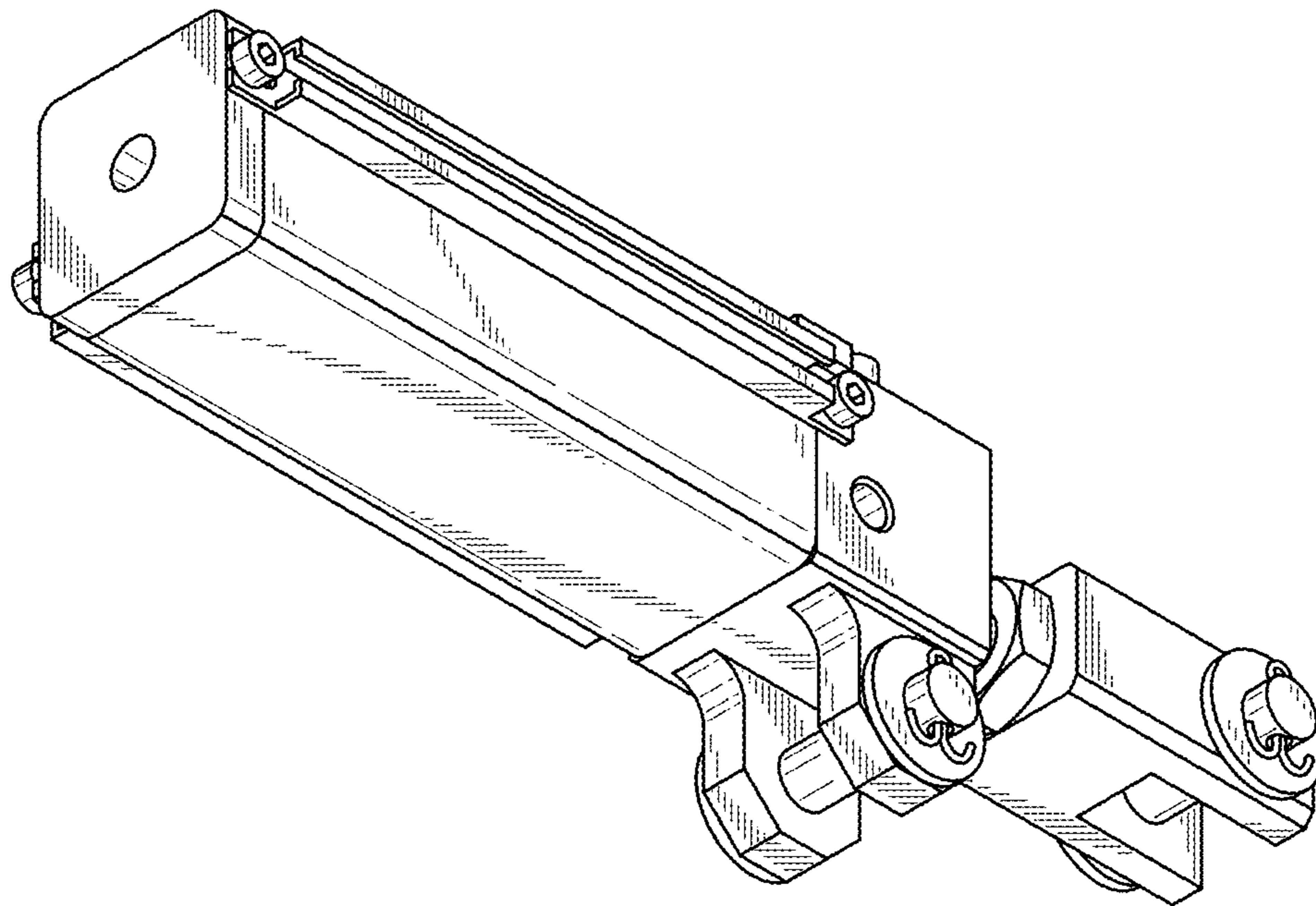


FIG. 59

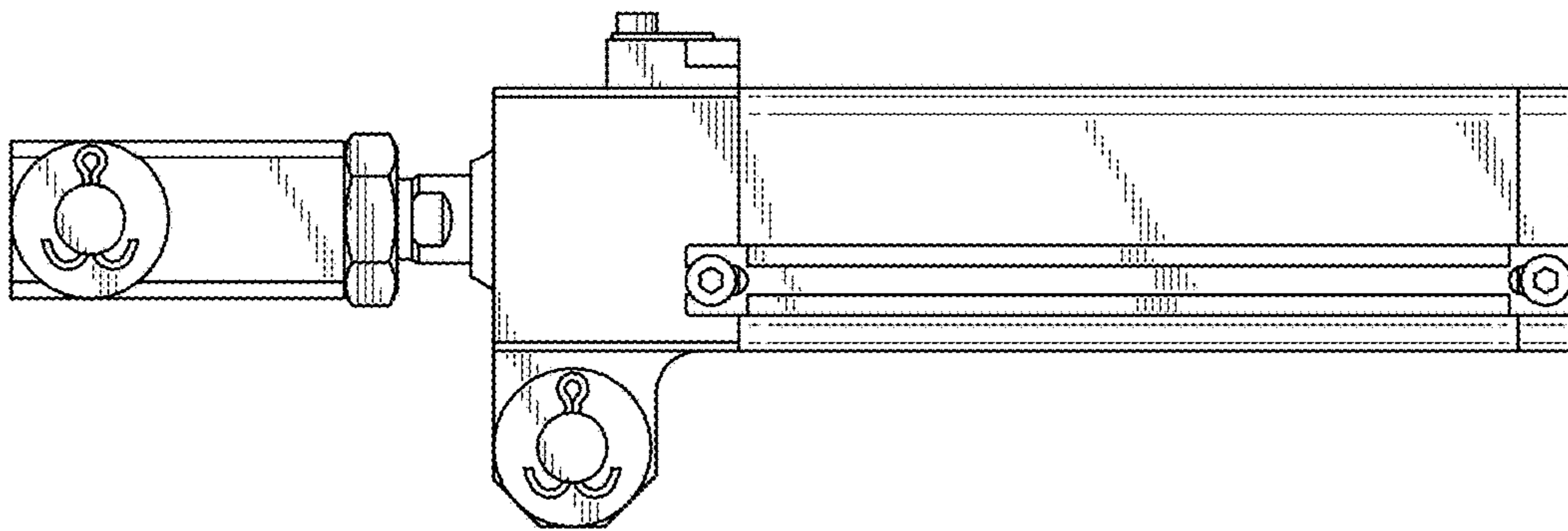


FIG. 60

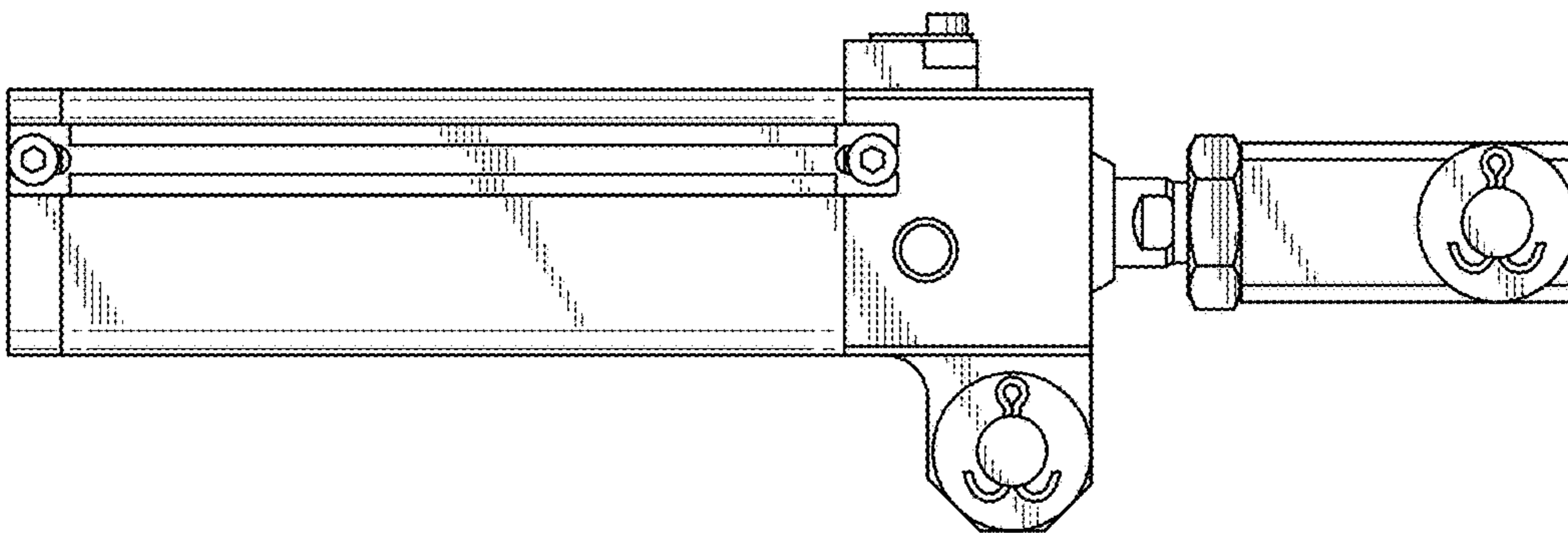


FIG. 61

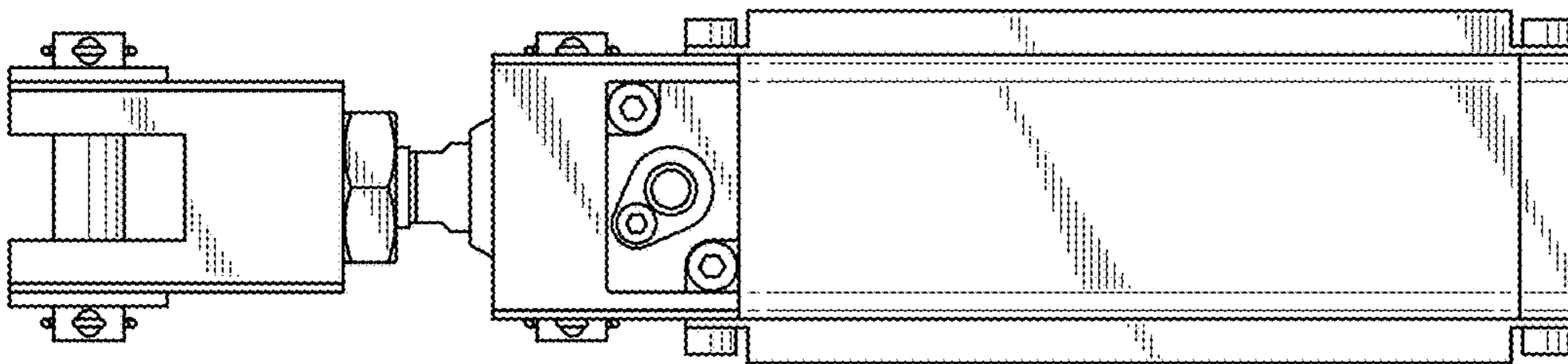


FIG. 62

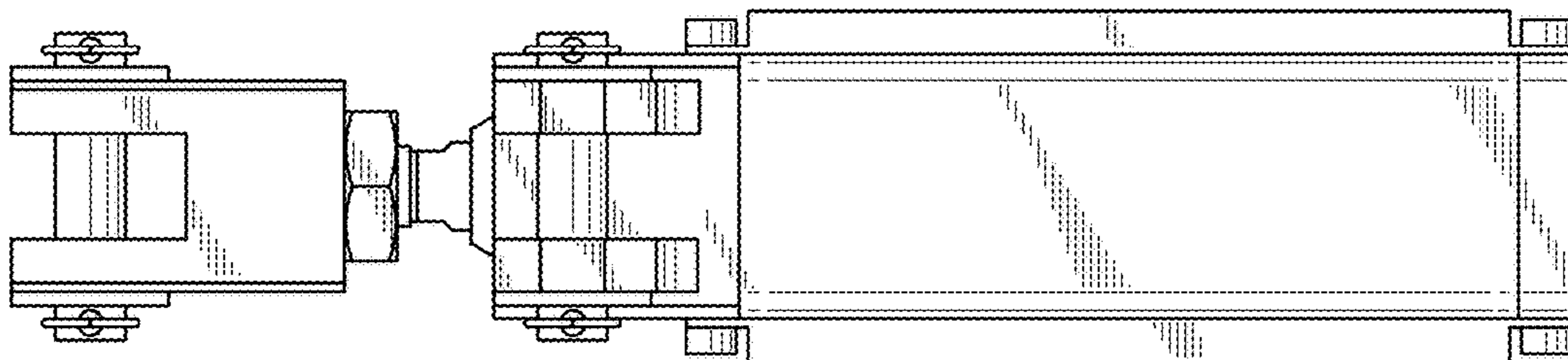


FIG. 63

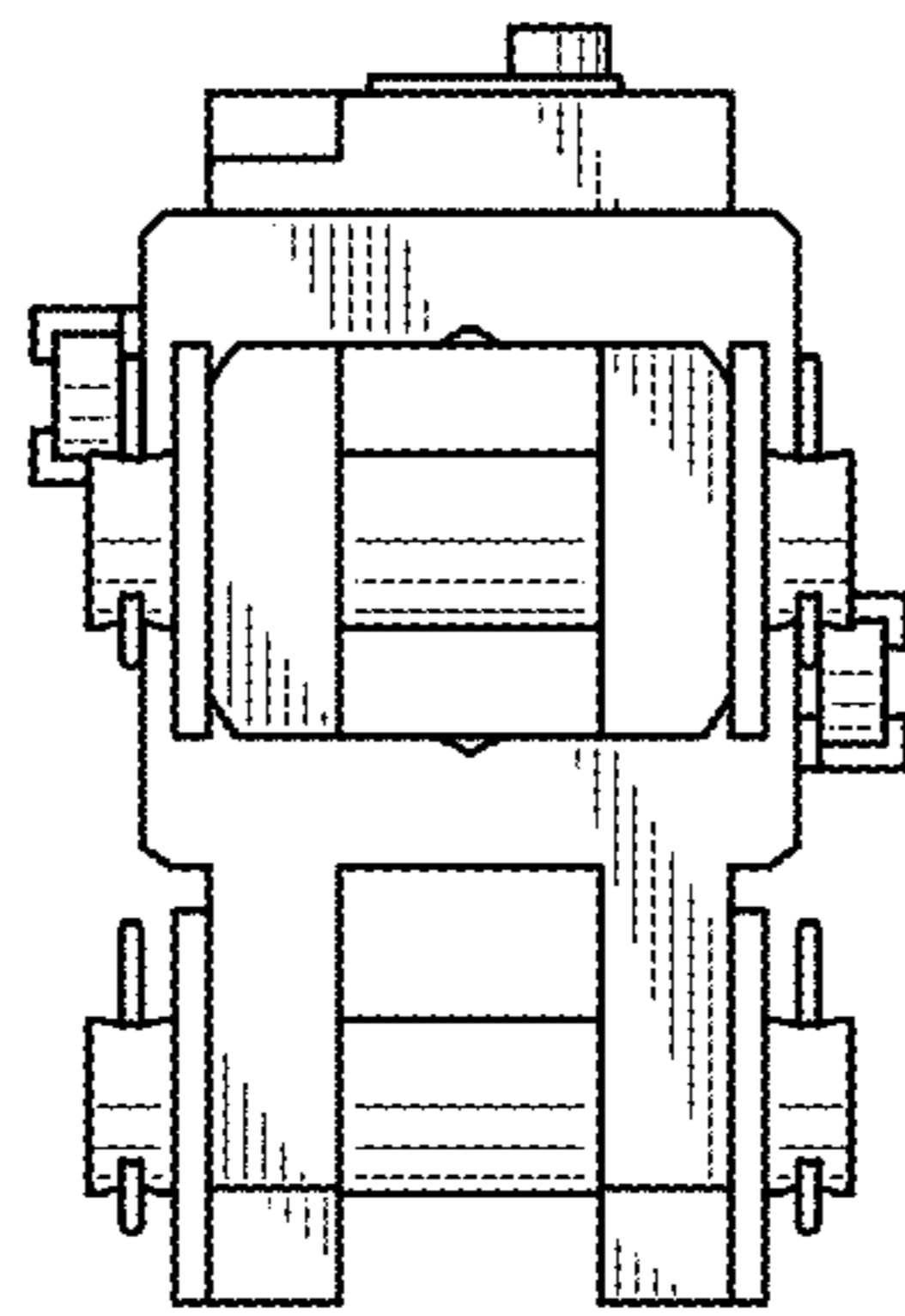


FIG. 64

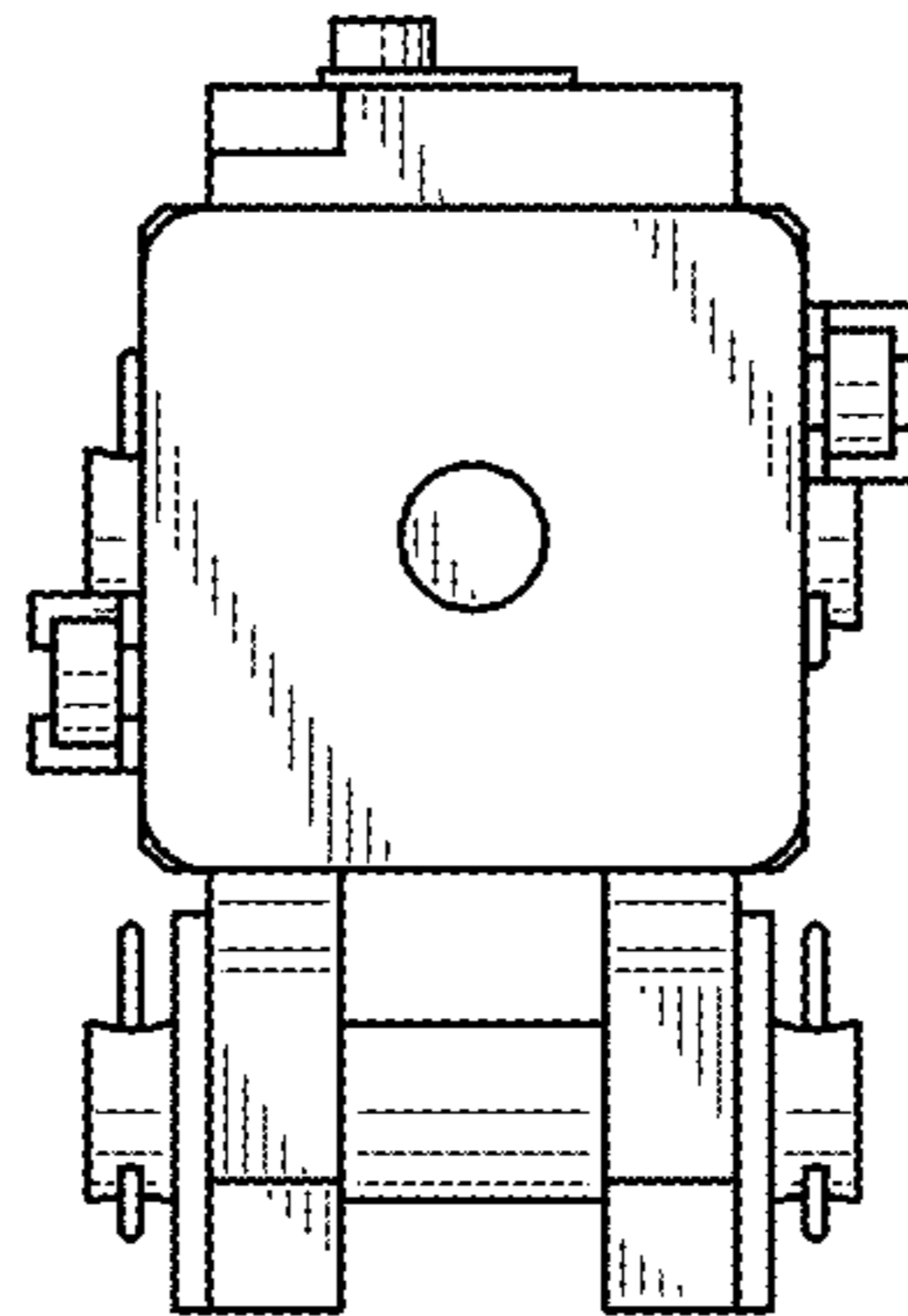


FIG. 65

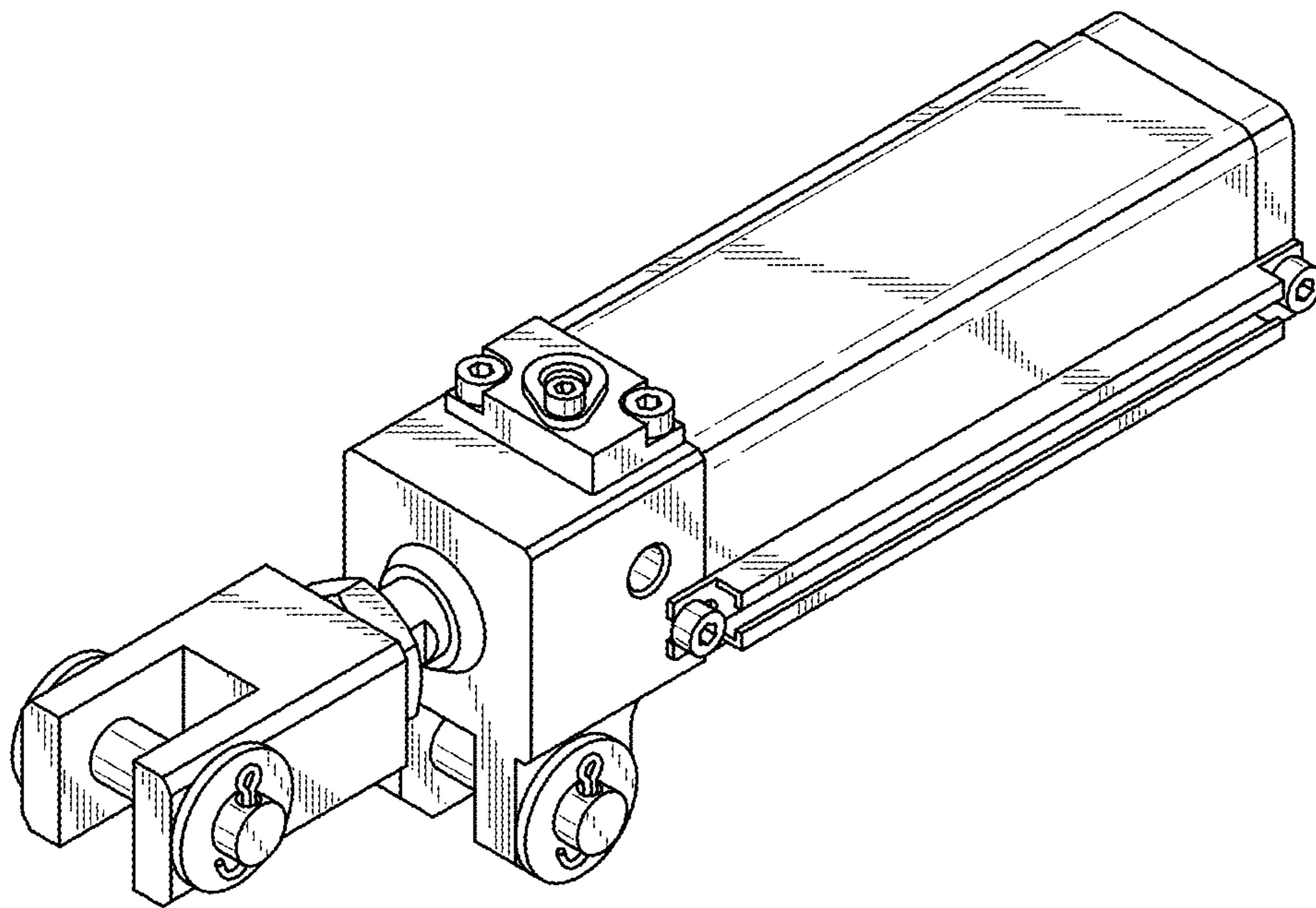


FIG. 66

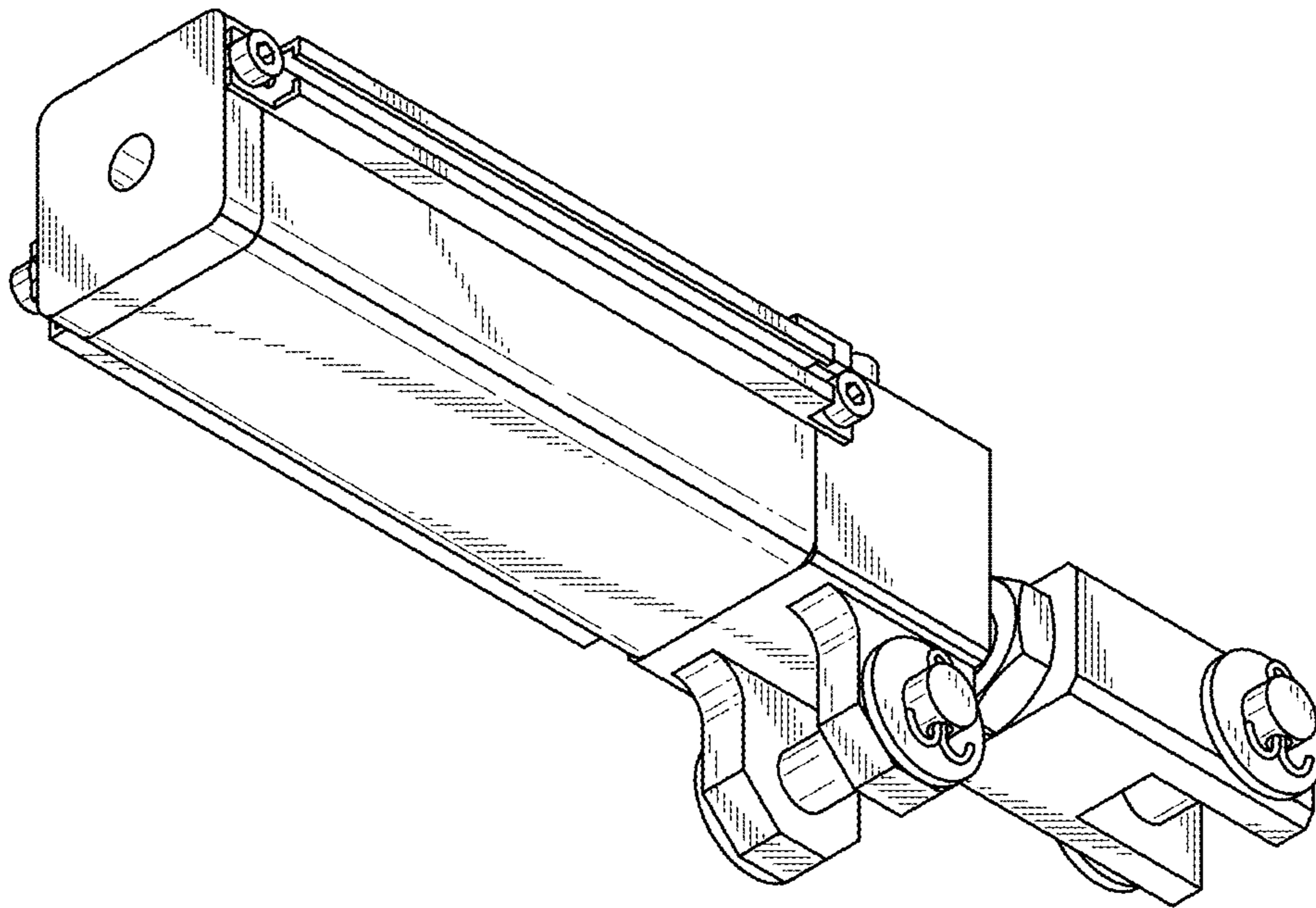


FIG. 67

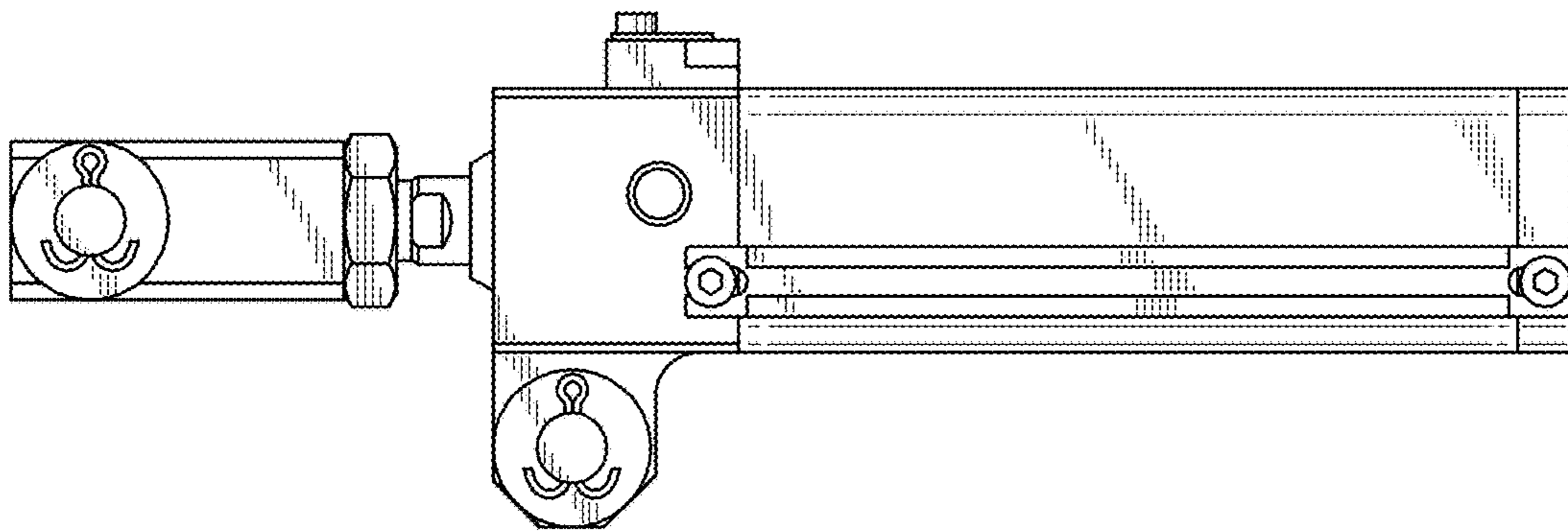


FIG. 68

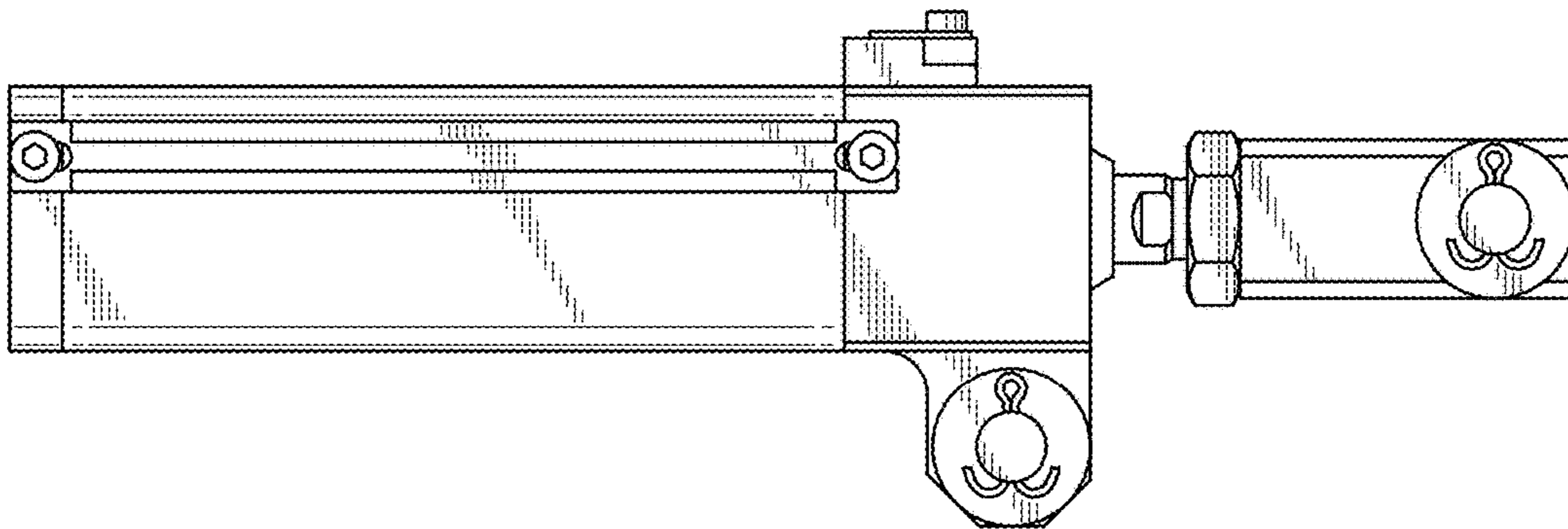


FIG. 69

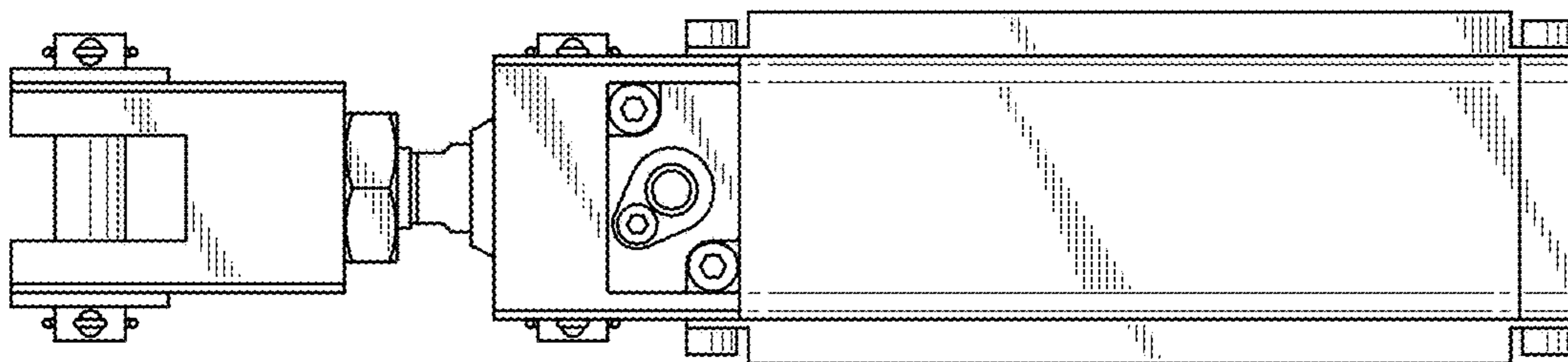


FIG. 70

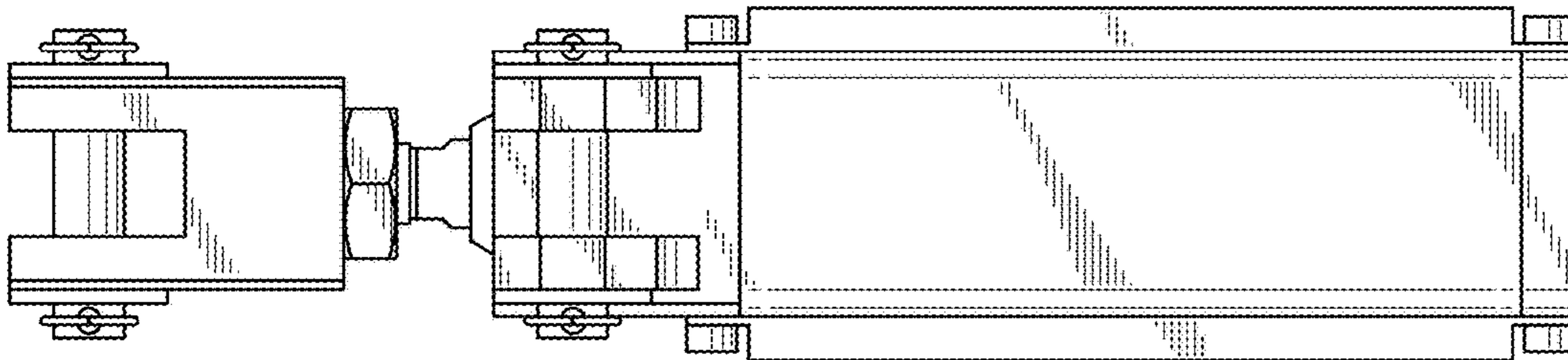


FIG. 71

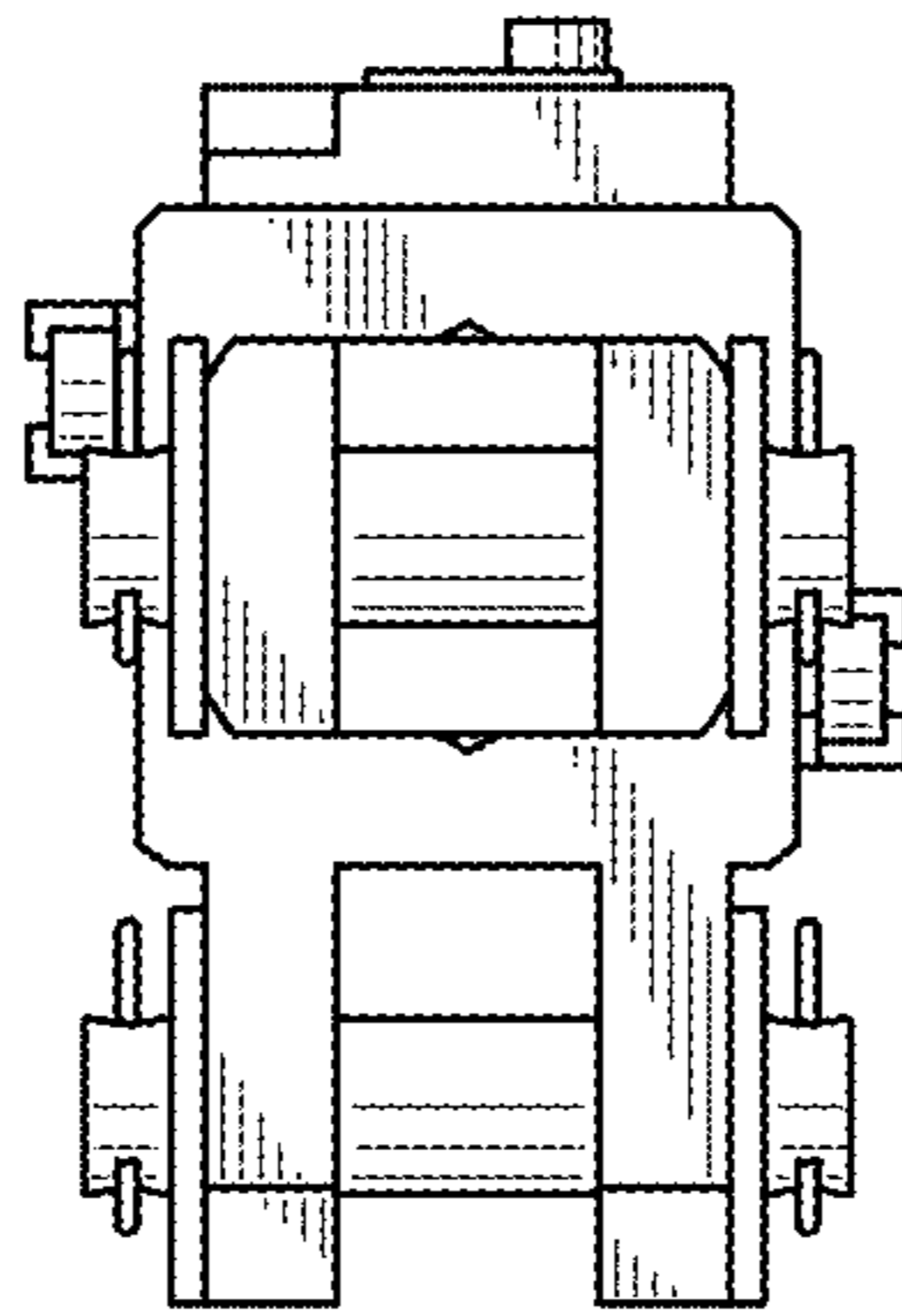


FIG. 72

