



US00D861041S

(12) **United States Design Patent** (10) **Patent No.:** **US D861,041 S**
Morita (45) **Date of Patent:** **** Sep. 24, 2019**

(54) **FLUID PRESSURE CYLINDER**

(57) **CLAIM**

(71) Applicant: **SMC CORPORATION**, Tokyo (JP)

The ornamental design for a fluid pressure cylinder, as shown.

(72) Inventor: **Ryosuke Morita**, Moriya (JP)

(73) Assignee: **SMC CORPORATION**, Tokyo (JP)

DESCRIPTION

(**) Term: **15 Years**

(21) Appl. No.: **29/608,922**

(22) Filed: **Jun. 27, 2017**

(30) **Foreign Application Priority Data**

Dec. 28, 2016 (CN) 2016 3 0653395

(51) **LOC (12) Cl.** **15-03**

(52) **U.S. Cl.**
USPC **D15/7**

(58) **Field of Classification Search**
USPC D15/7-9; D23/231, 232, 225, 233
CPC F02M 37/04; F02M 31/14; F04D 29/4286
See application file for complete search history.

(56) **References Cited**

U.S. PATENT DOCUMENTS

D370,683 S * 6/1996 Stahlman D15/7
D378,214 S 2/1997 Ikumi
D378,680 S 4/1997 Ikumi
D428,617 S 7/2000 Hariwara
D500,258 S 12/2004 Kita et al.

(Continued)

FOREIGN PATENT DOCUMENTS

CN D303403925 S 10/2015
CN D303428901 S 11/2015

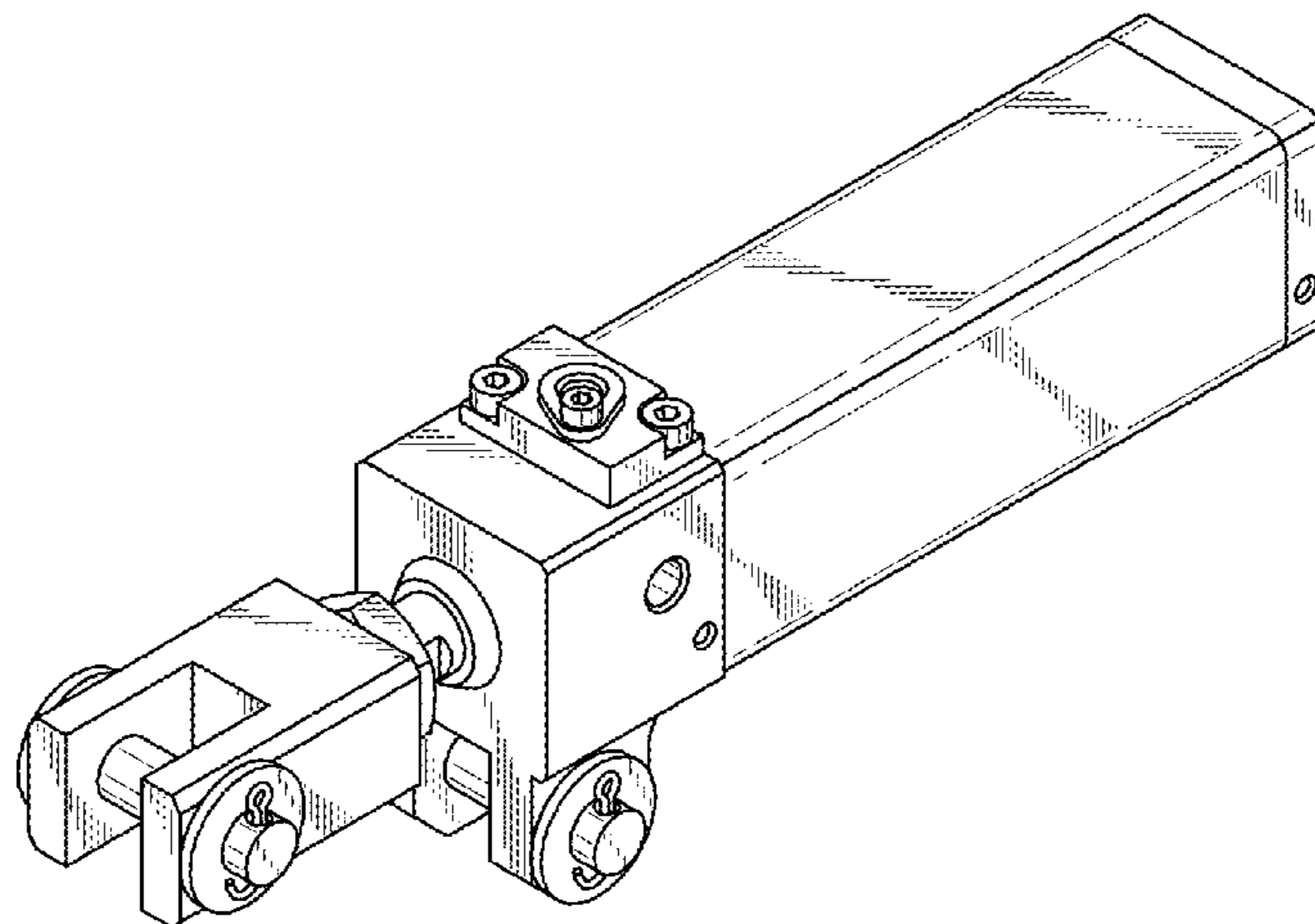
(Continued)

Primary Examiner — Khawaja Anwar

(74) *Attorney, Agent, or Firm* — Birch, Stewart, Kolasch & Birch, LLP

FIG. 1 is a front, top and left side perspective view of a fluid pressure cylinder showing a first embodiment of my new design;
FIG. 2 is a rear, bottom and right side perspective view thereof;
FIG. 3 is a front view thereof;
FIG. 4 is a rear view thereof;
FIG. 5 is a top plan view thereof;
FIG. 6 is a bottom plan view thereof;
FIG. 7 is a left side view thereof;
FIG. 8 is a right side view thereof;
FIG. 9 is a front, top and left side perspective view of a fluid pressure cylinder showing a second embodiment of my new design;
FIG. 10 is a rear, bottom and right side perspective view thereof;
FIG. 11 is a front view thereof;
FIG. 12 is a rear view thereof;
FIG. 13 is a top plan view thereof;
FIG. 14 is a bottom plan view thereof;
FIG. 15 is a left side view thereof;
FIG. 16 is a right side view thereof;
FIG. 17 is a front, top and left side perspective view of a fluid pressure cylinder showing a third embodiment of my new design;
FIG. 18 is a rear, bottom and right side perspective view thereof;
FIG. 19 is a front view thereof;
FIG. 20 is a rear view thereof;
FIG. 21 is a top plan view thereof;
FIG. 22 is a bottom plan view thereof;
FIG. 23 is a left side view thereof; and,
FIG. 24 is a right side view thereof.

1 Claim, 24 Drawing Sheets



(56)

References Cited

U.S. PATENT DOCUMENTS

D500,259 S 12/2004 Kita et al.
D682,901 S * 5/2013 Peschel D15/143
D704,238 S * 5/2014 Fukano D15/143
D757,120 S * 5/2016 Kudo D15/7
D772,302 S * 11/2016 Kudo D15/7
D780,228 S * 2/2017 Kudo D15/7
D780,229 S * 2/2017 Kudo D15/7
D805,559 S * 12/2017 Kudo D15/7
D805,560 S * 12/2017 Kudo D15/7
D825,616 S * 8/2018 Monden D15/9

FOREIGN PATENT DOCUMENTS

CN D303854900 S 9/2016
CN D303854901 S 9/2016

* cited by examiner

FIG. 1

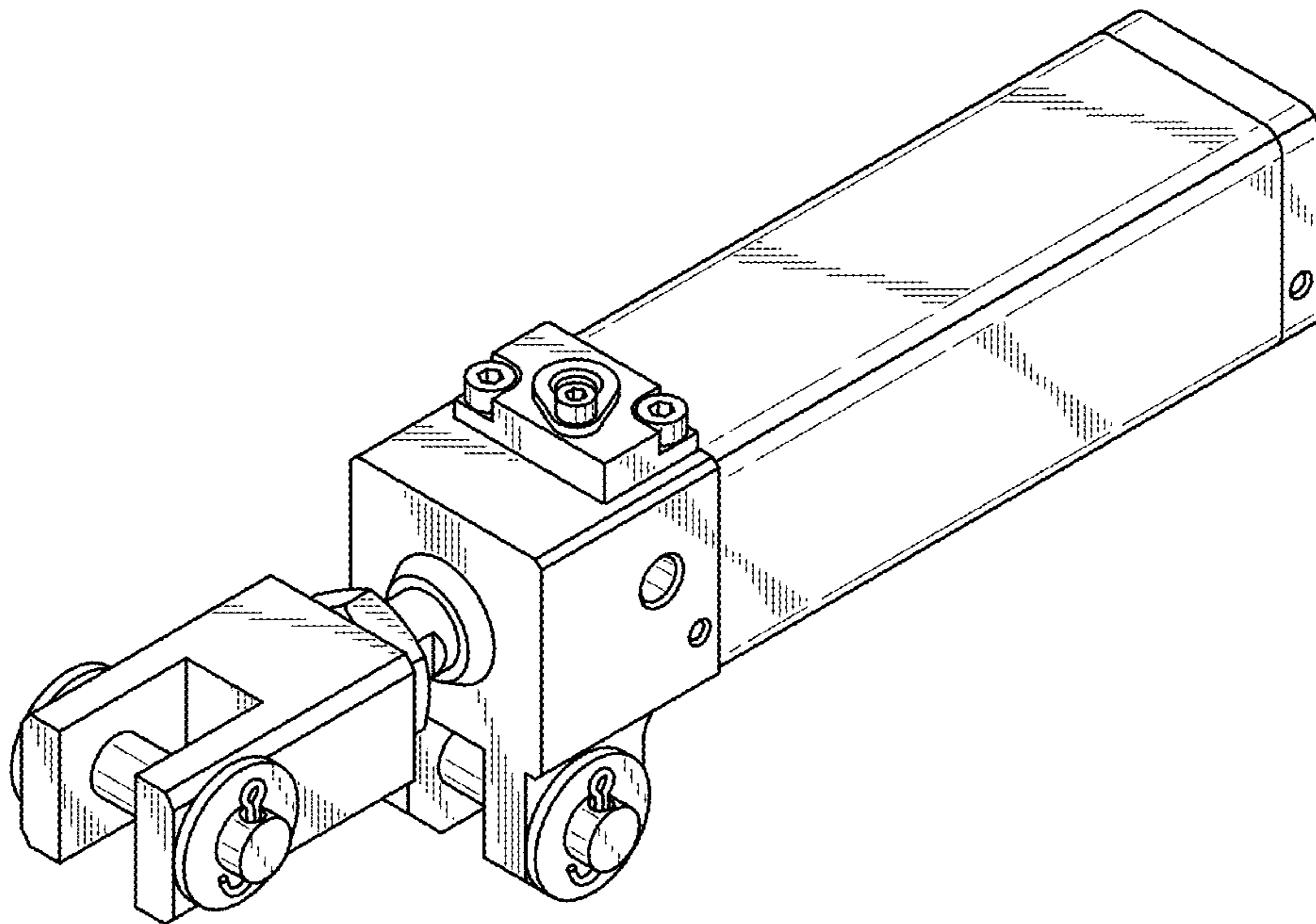


FIG. 2

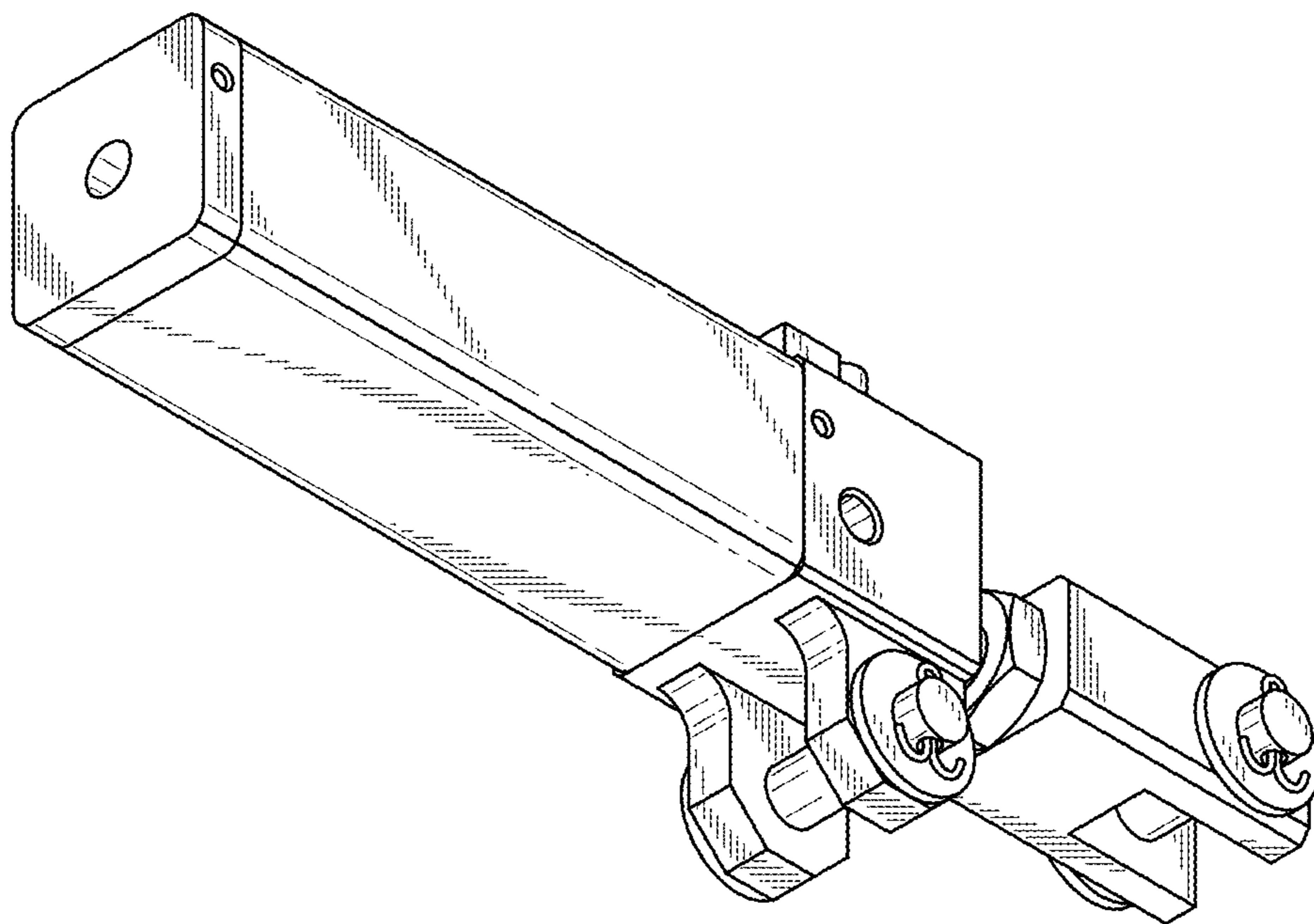


FIG. 3

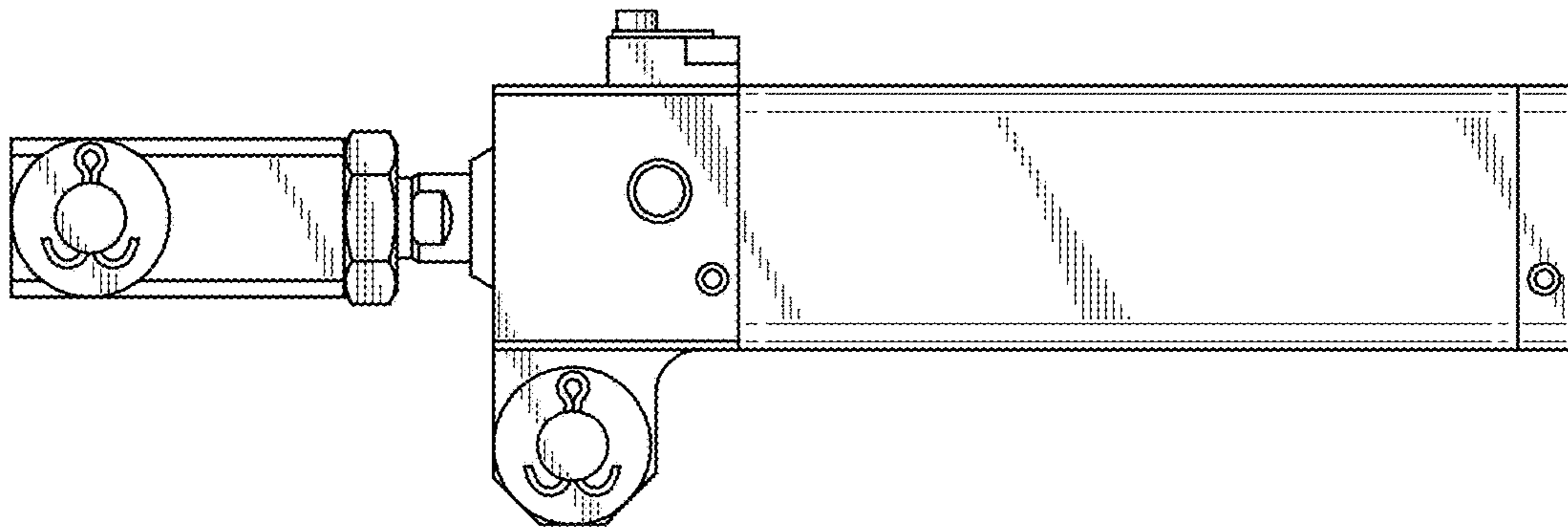


FIG. 4

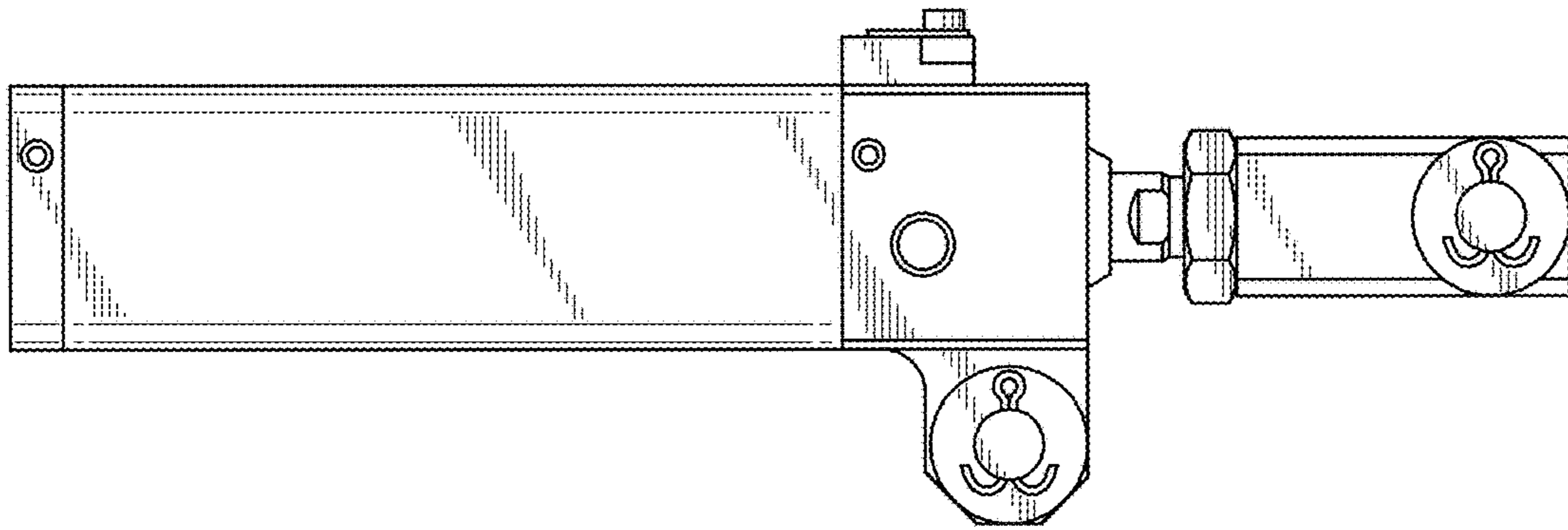


FIG. 5

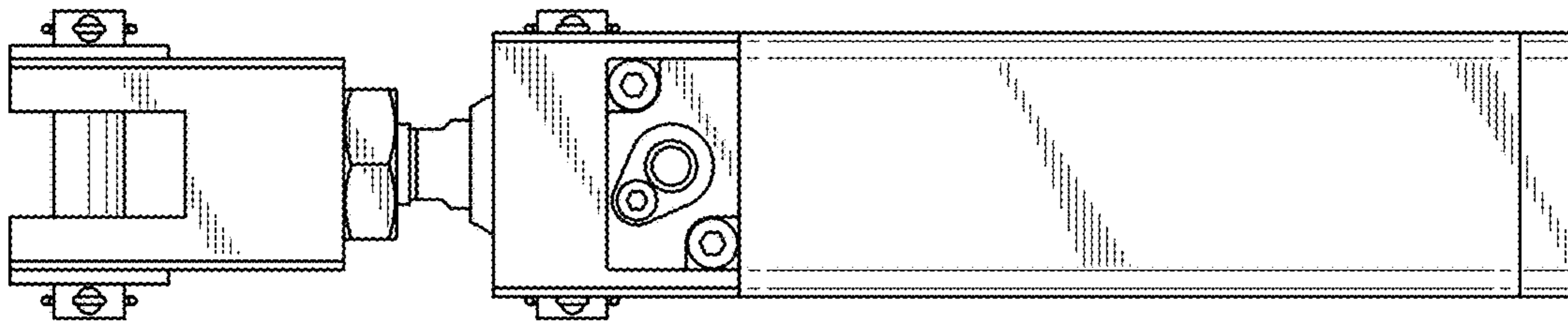


FIG. 6

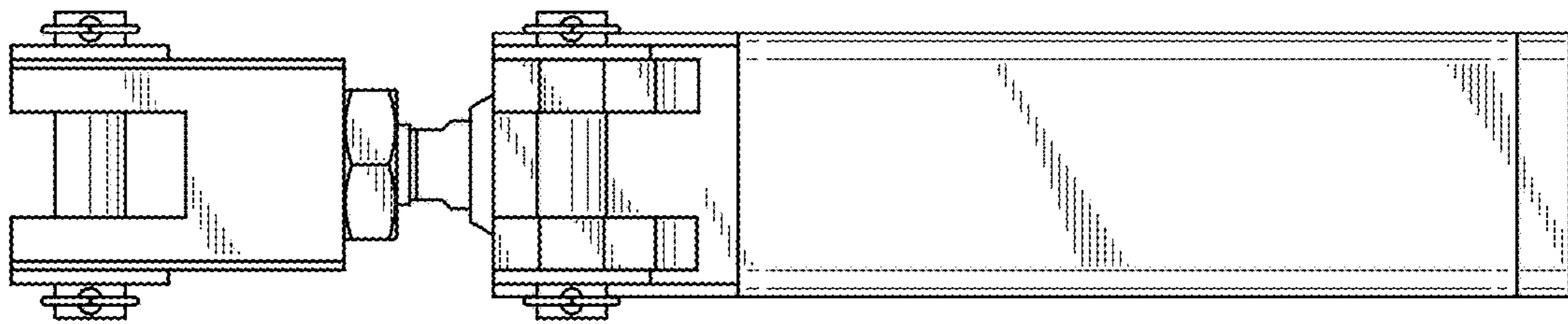


FIG. 7

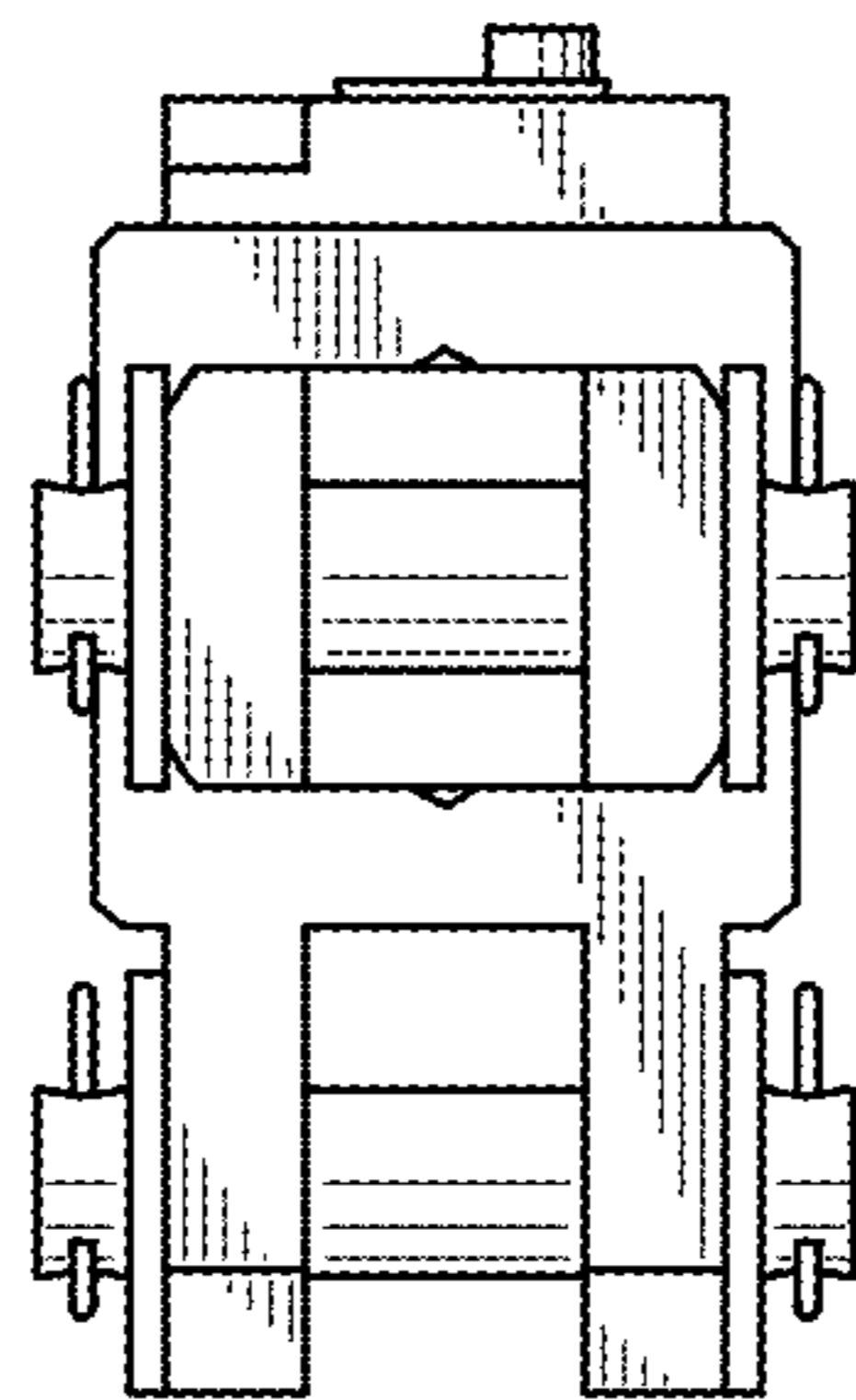


FIG. 8

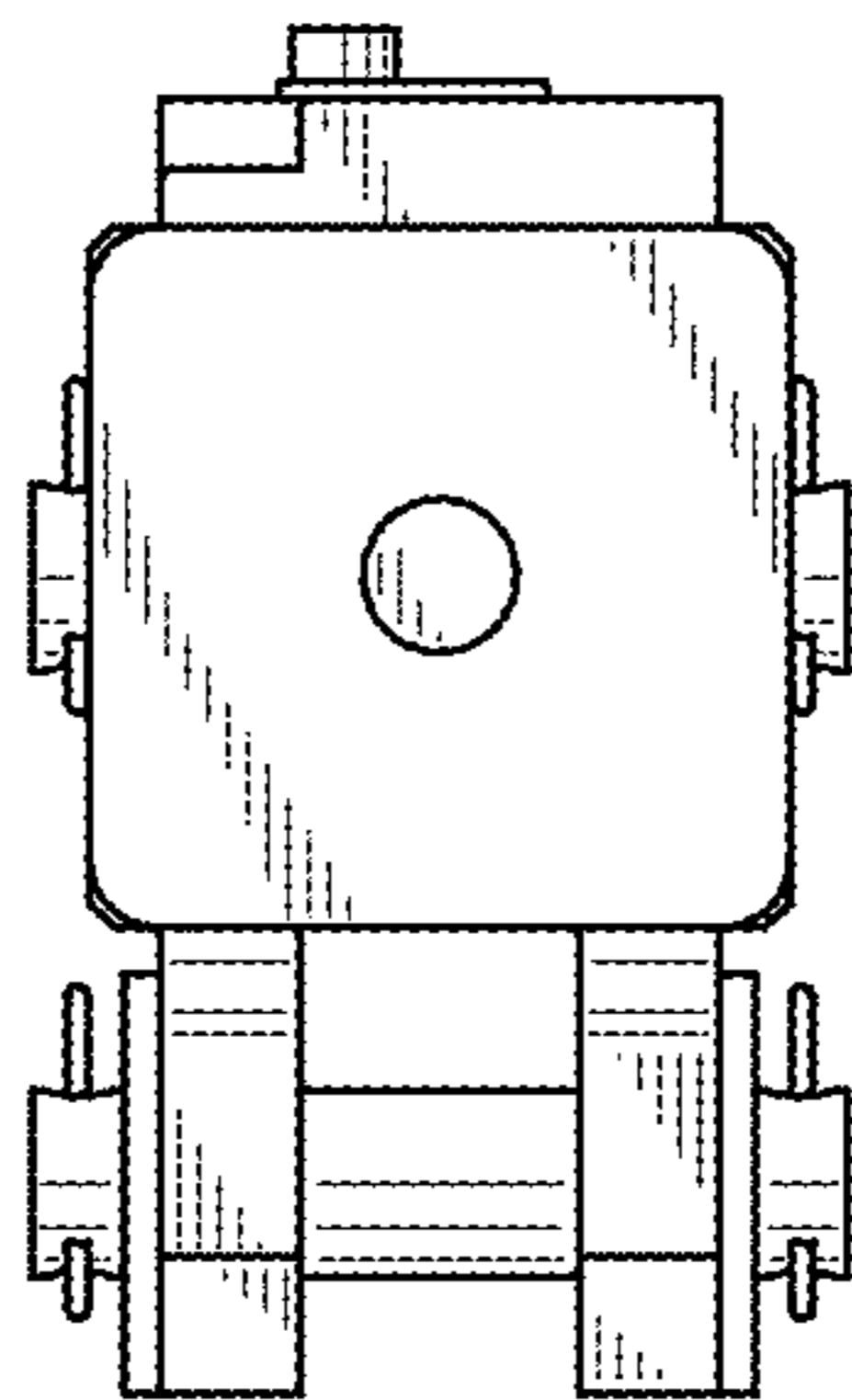


FIG. 9

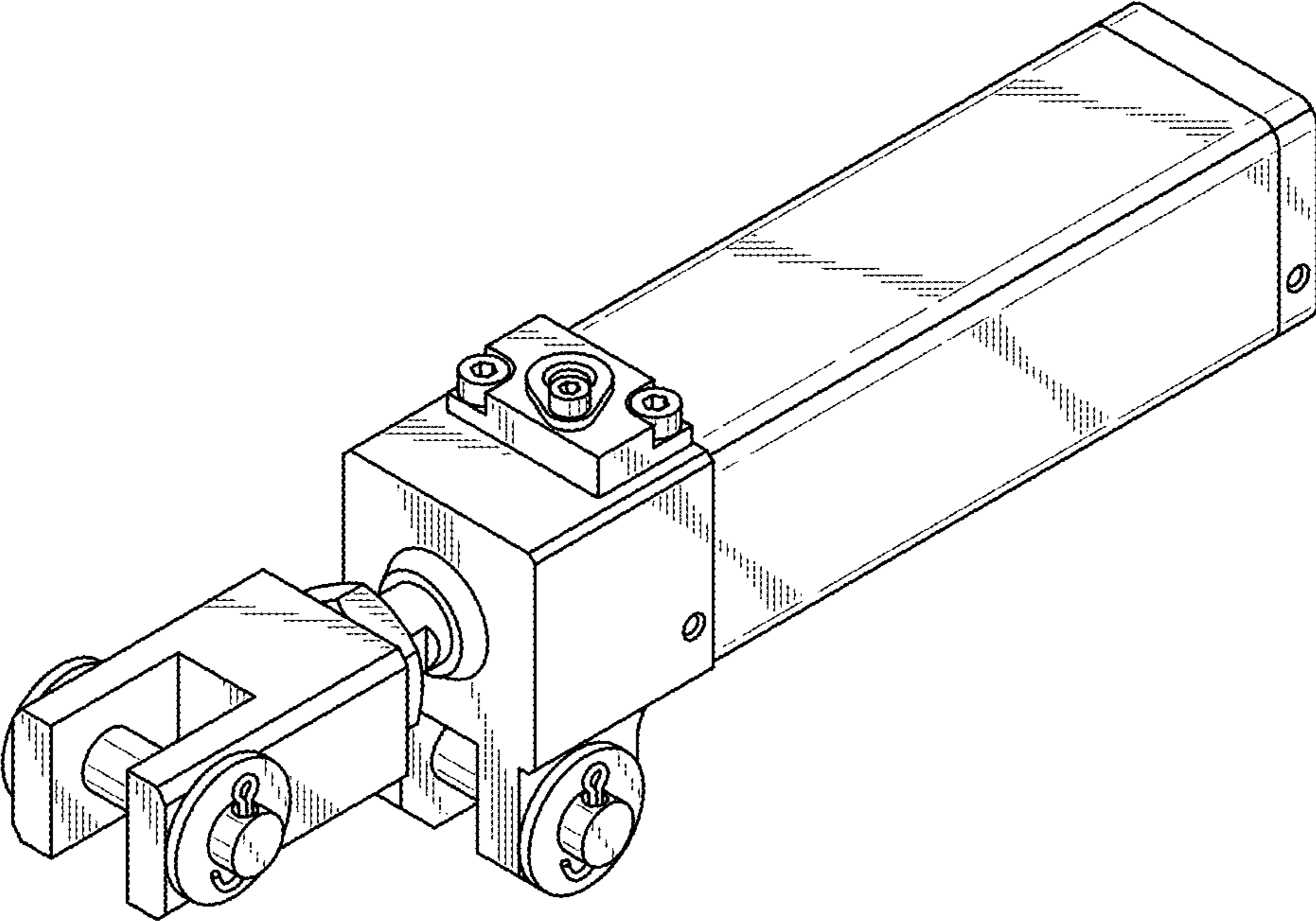


FIG. 10

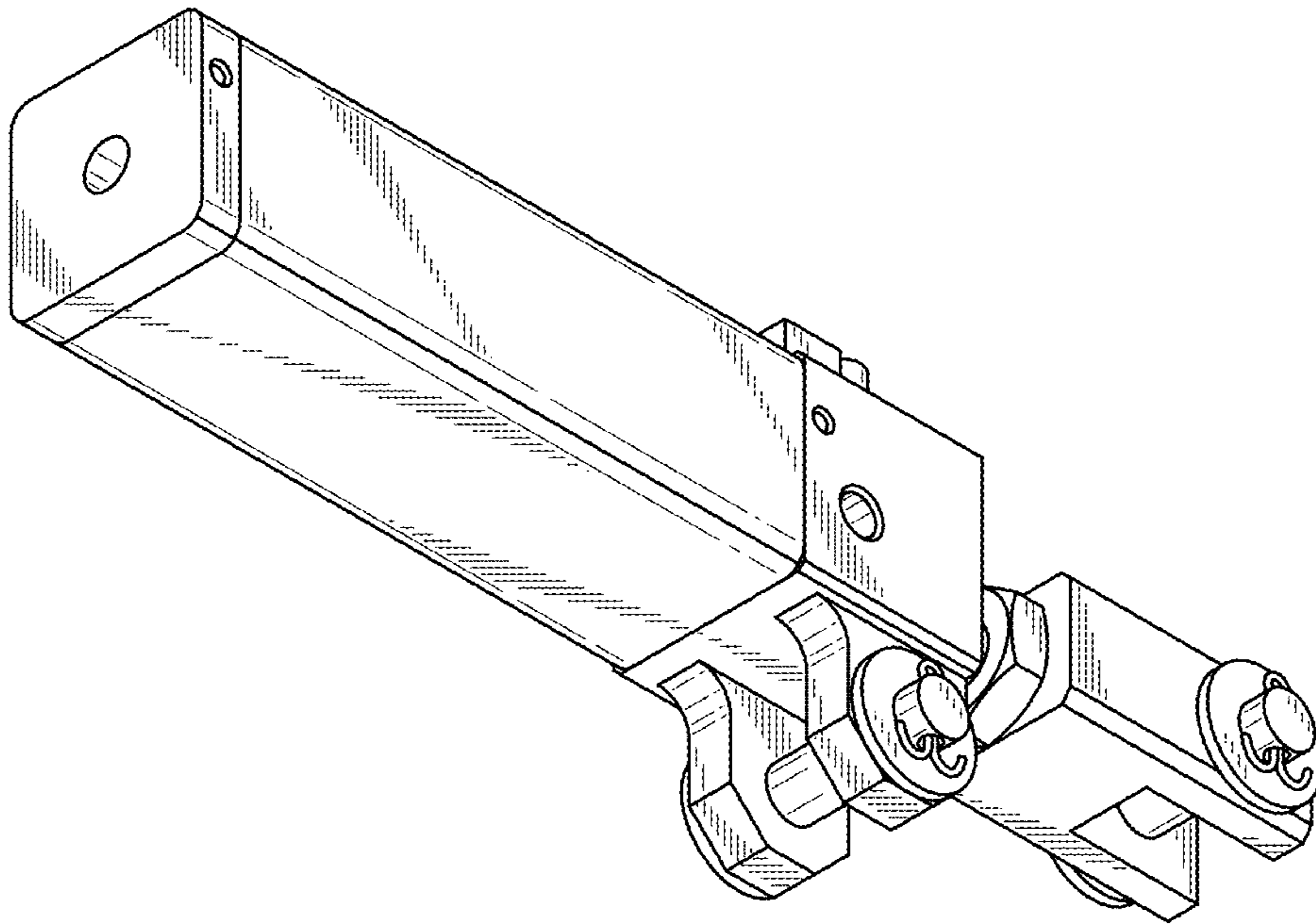


FIG. 11

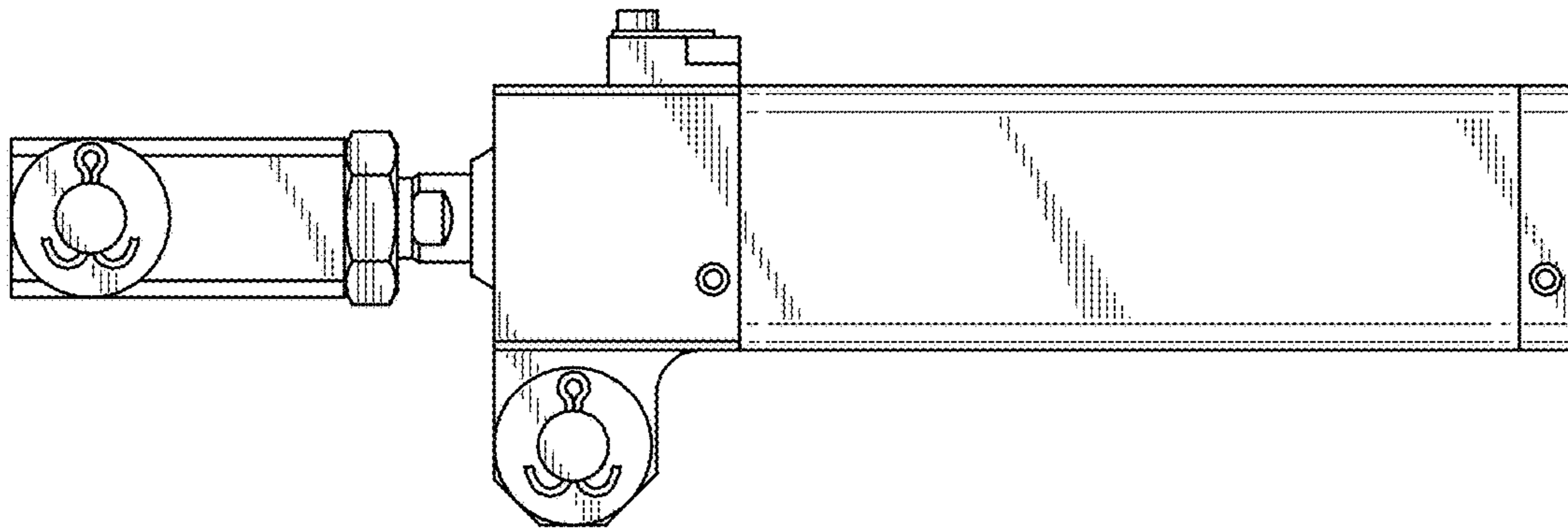


FIG. 12

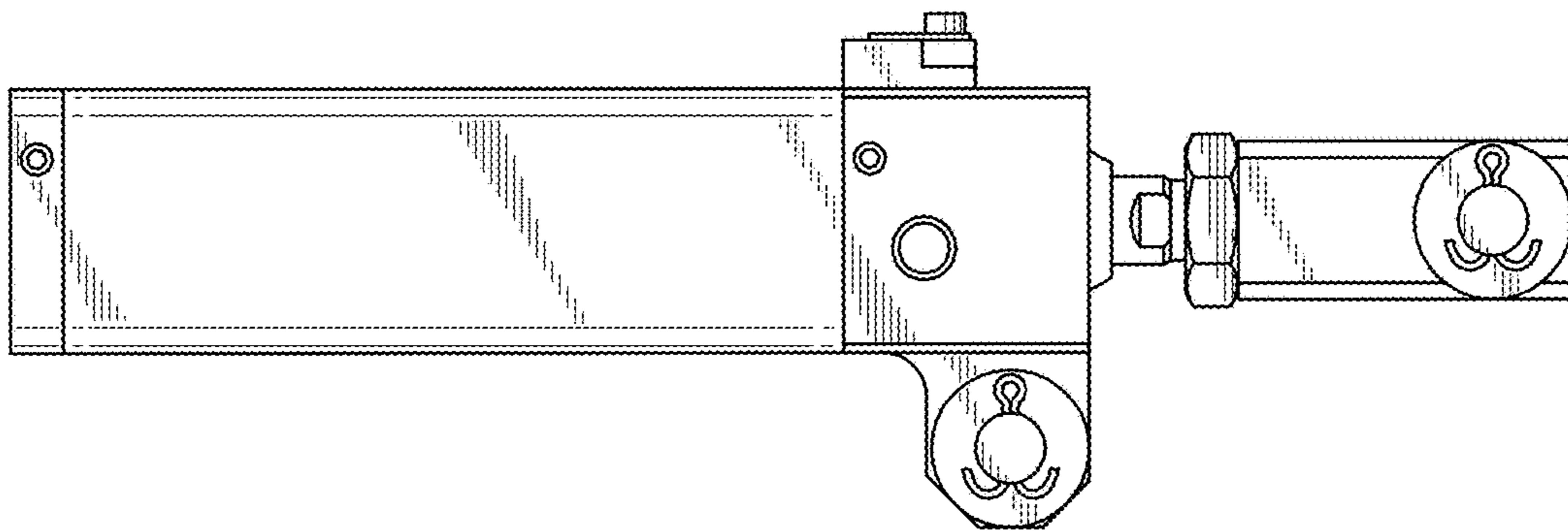


FIG. 13

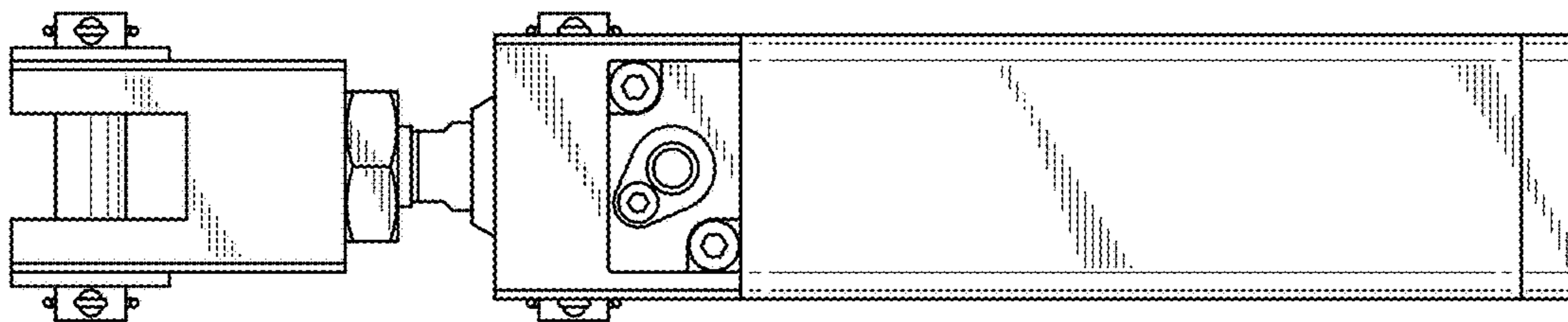


FIG. 14

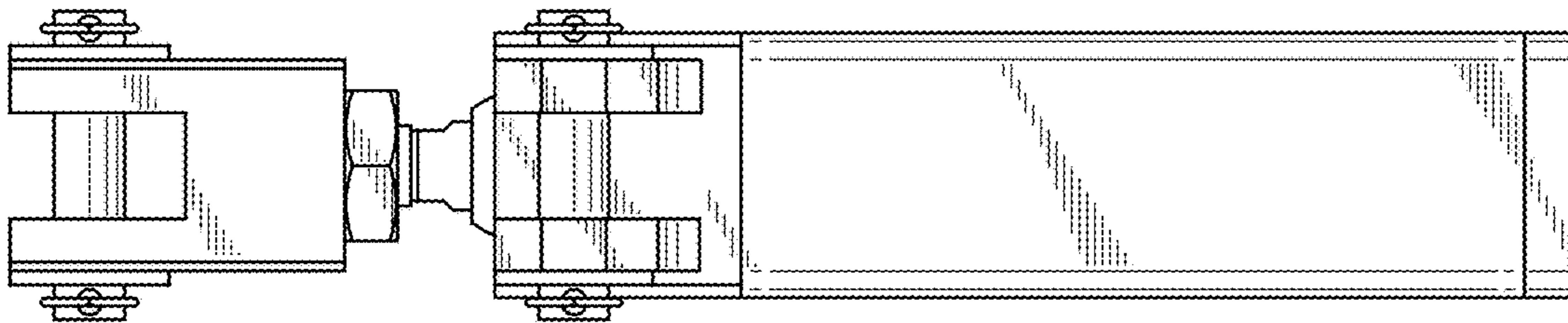


FIG. 15

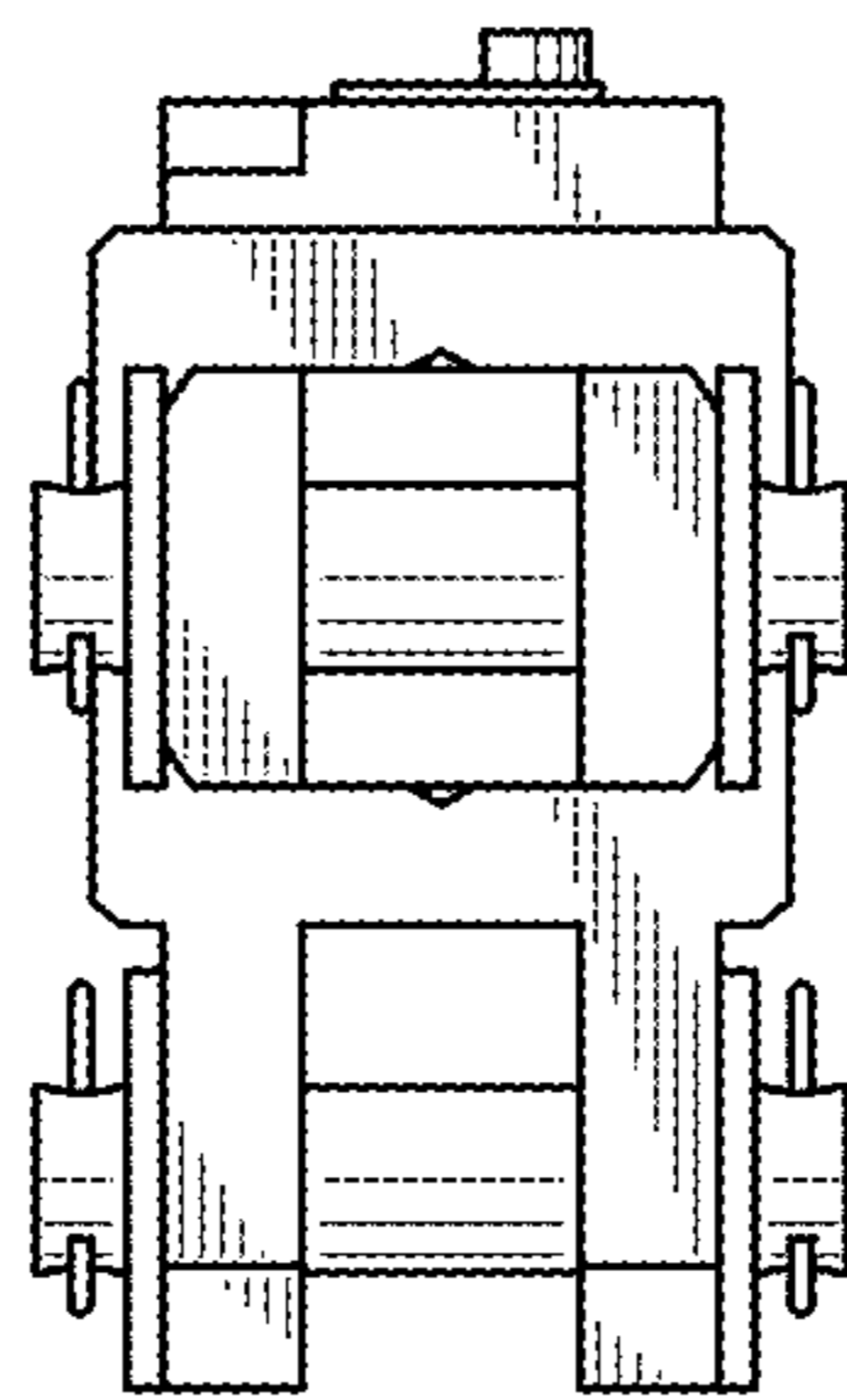


FIG. 16

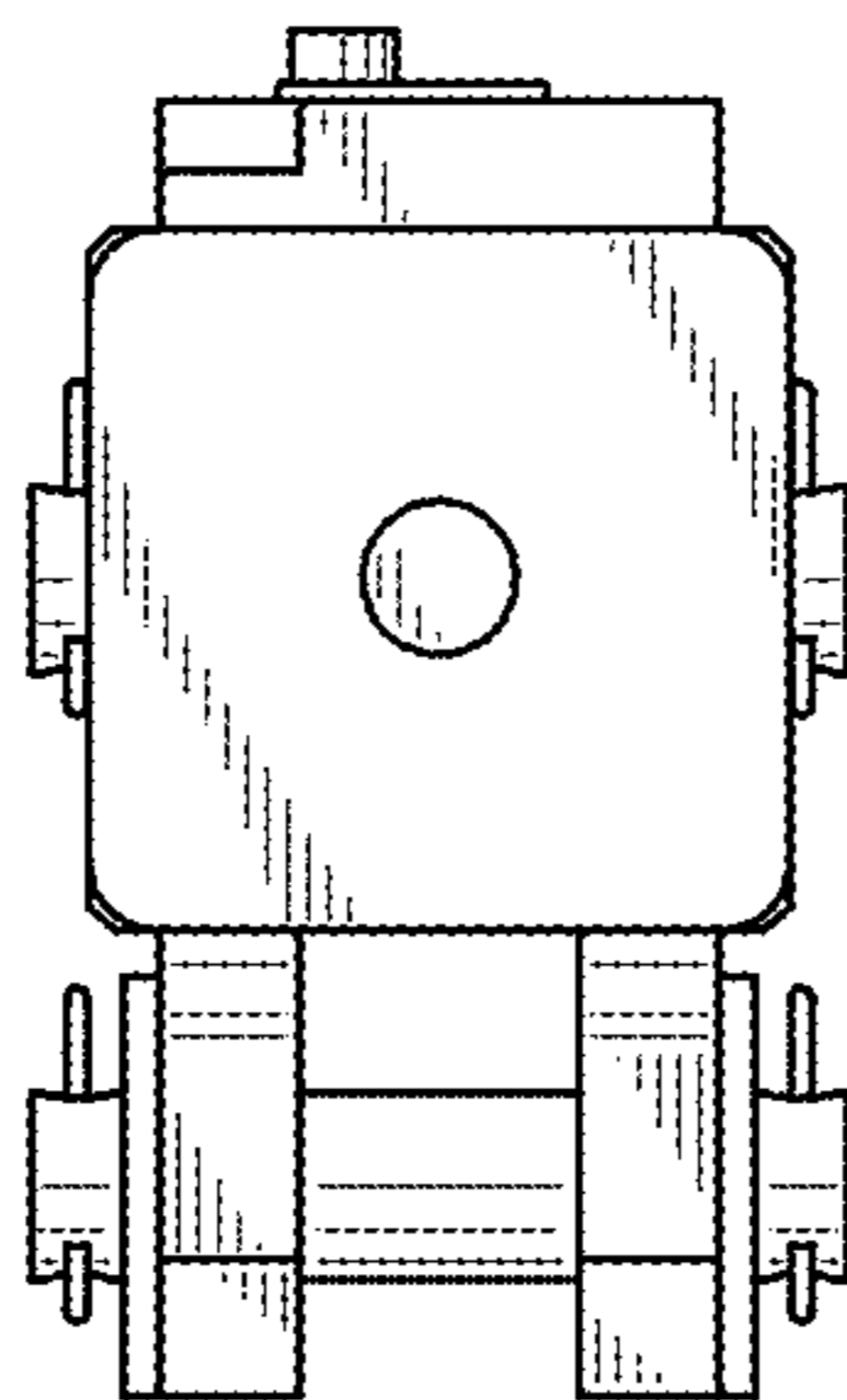


FIG. 17

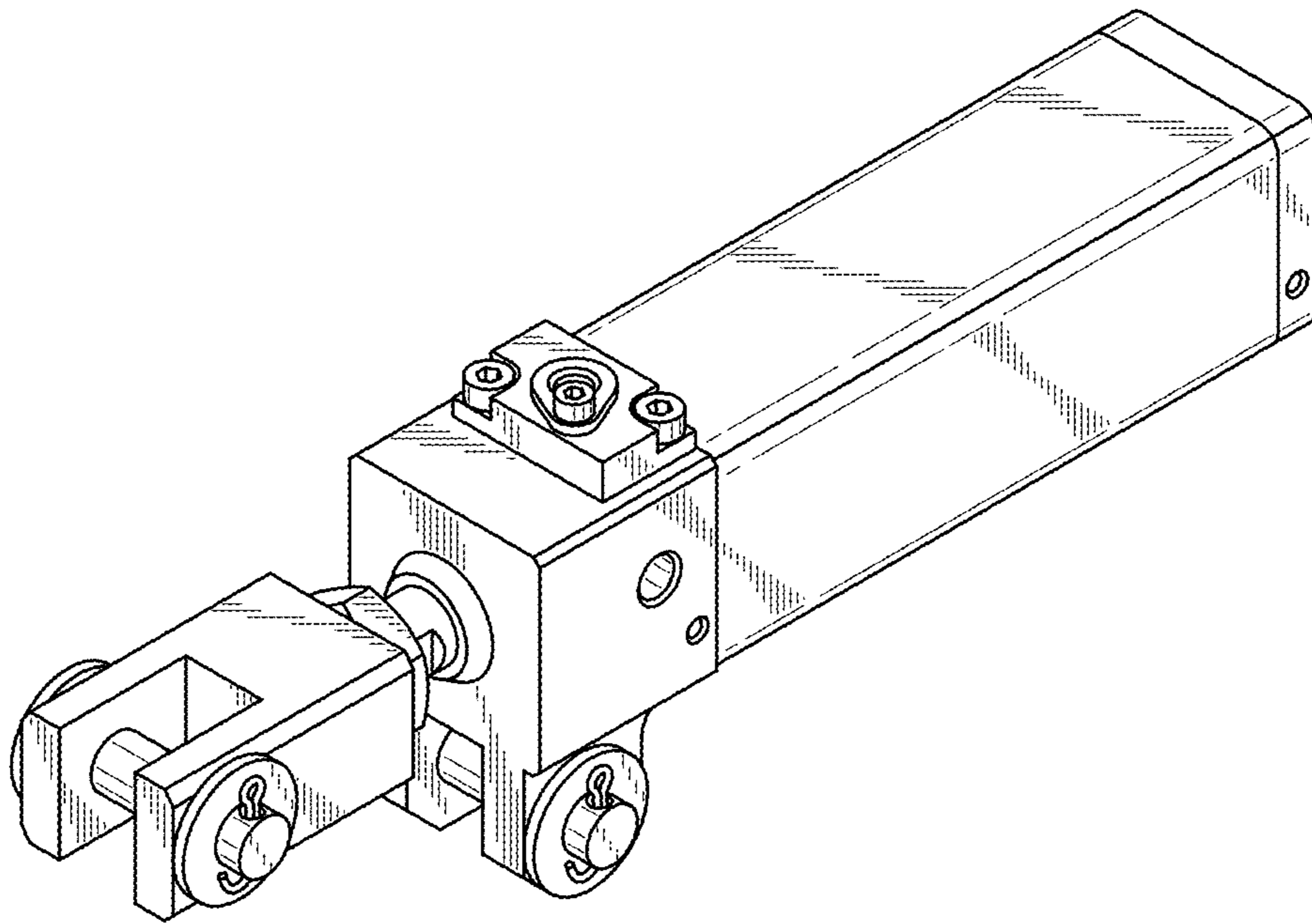


FIG. 18

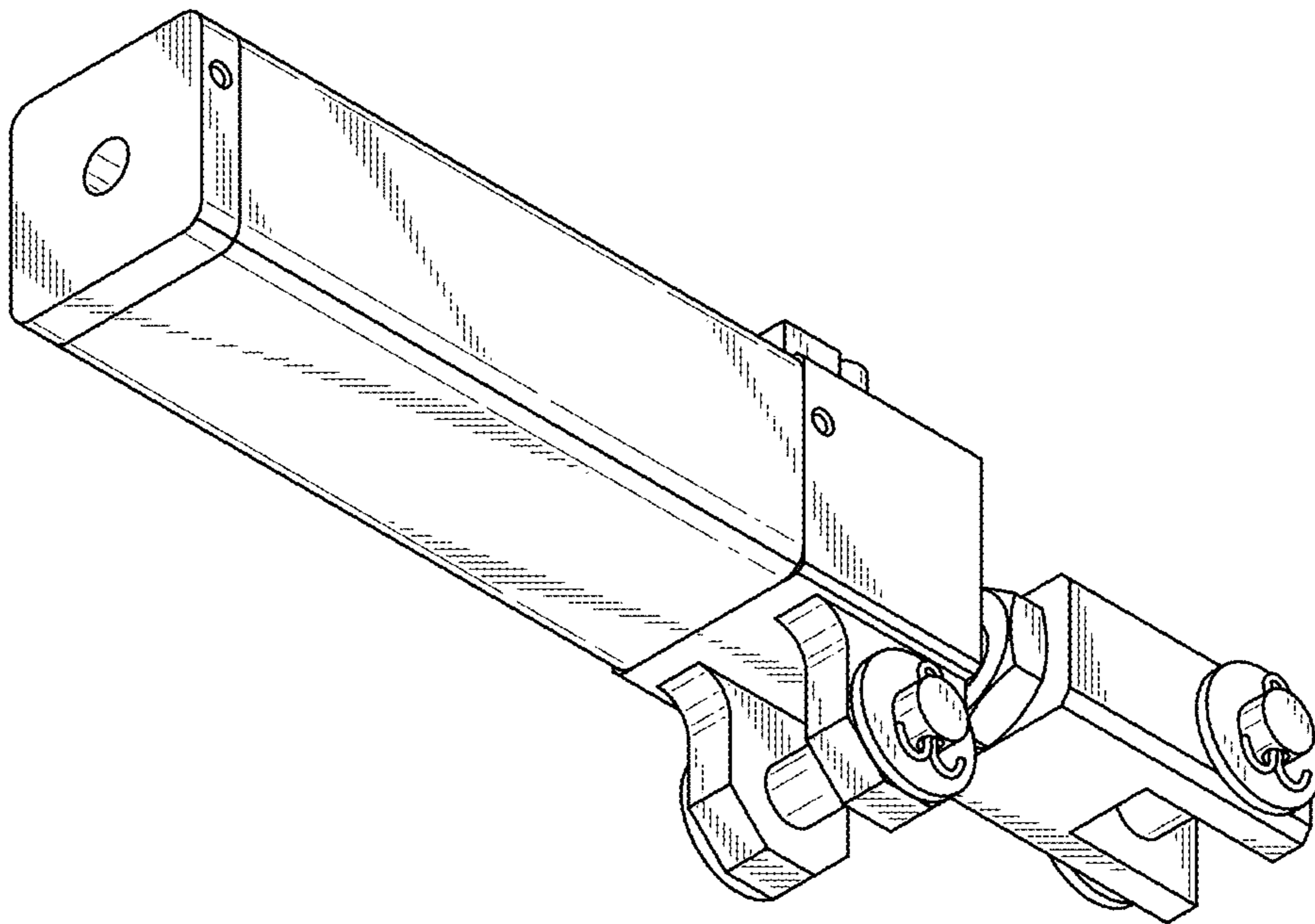


FIG. 19

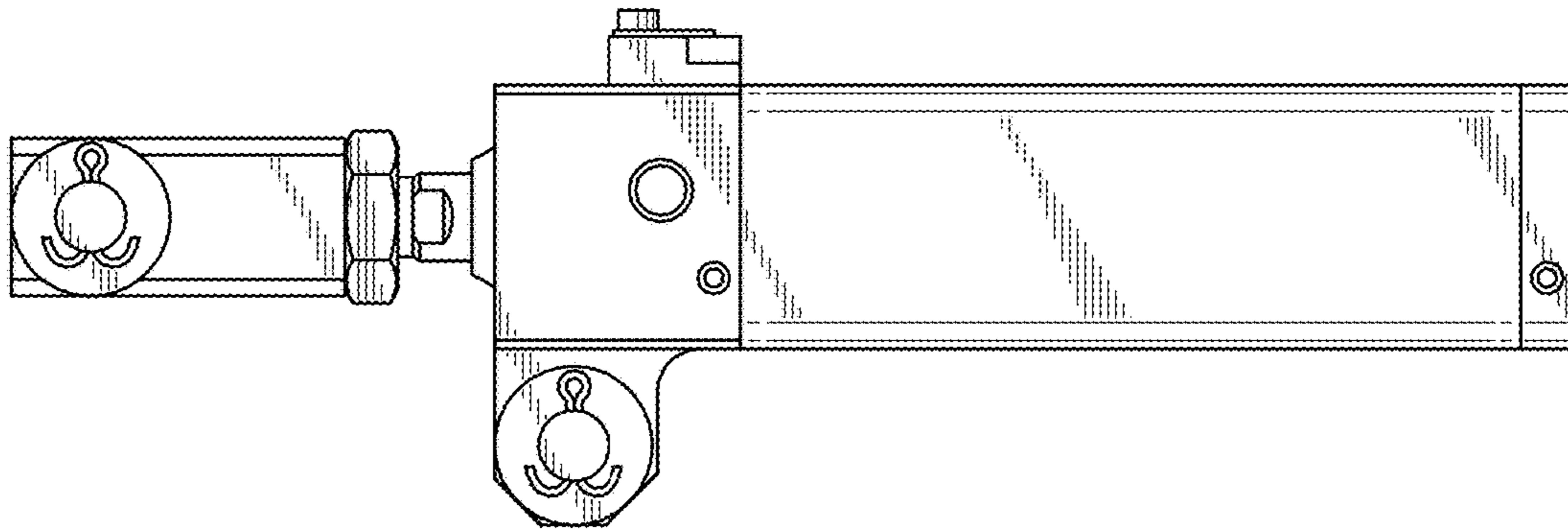


FIG. 20

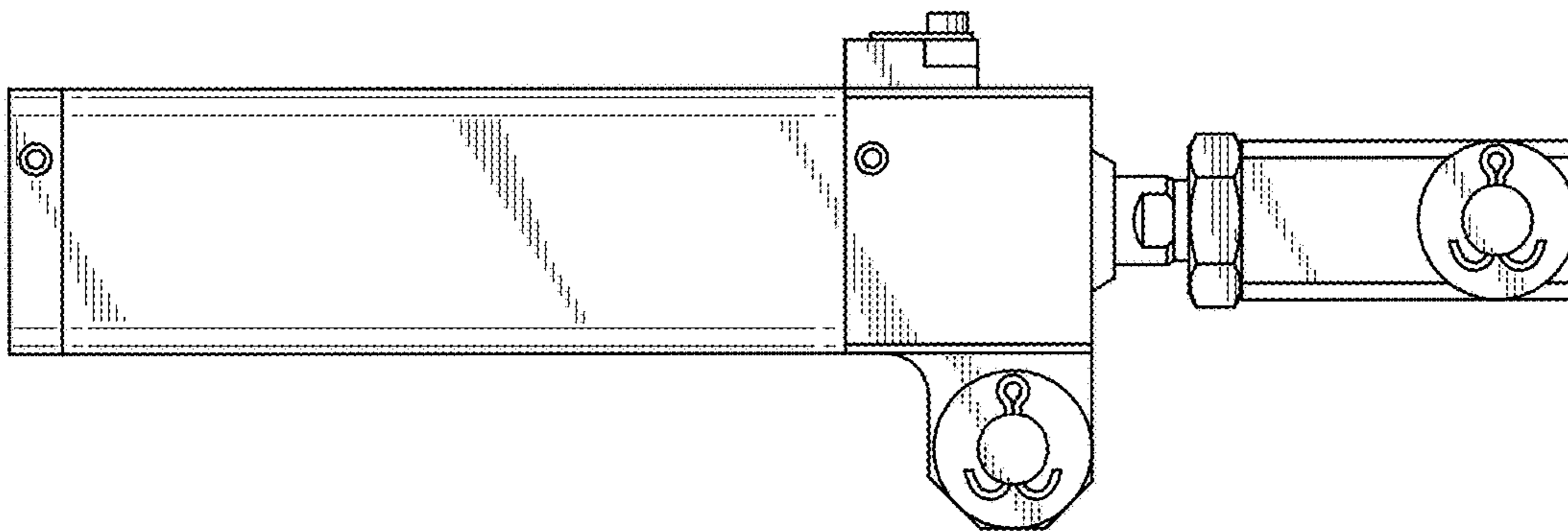


FIG. 21

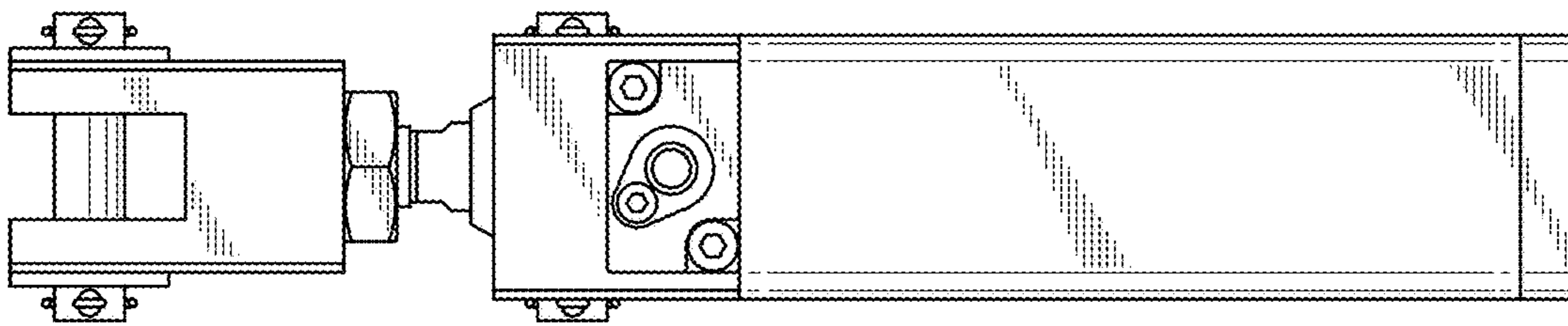


FIG. 22

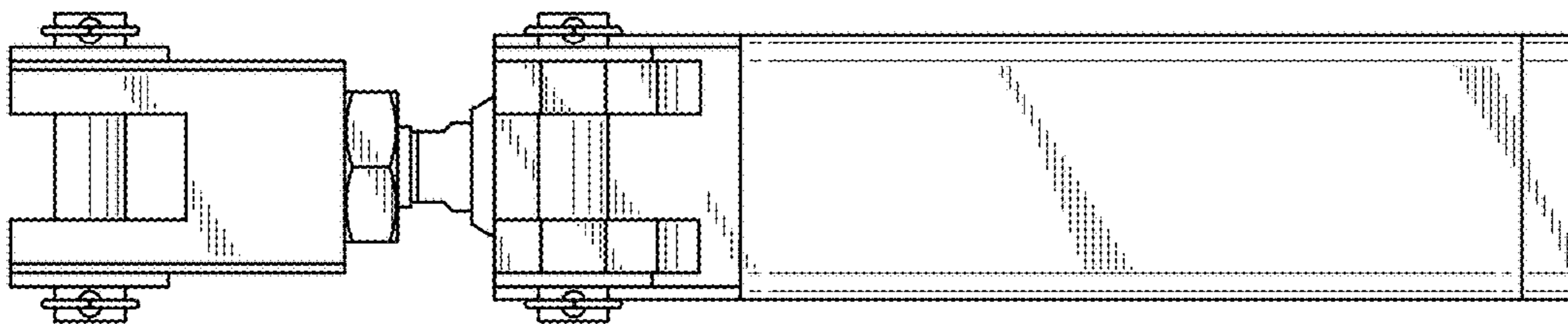


FIG. 23

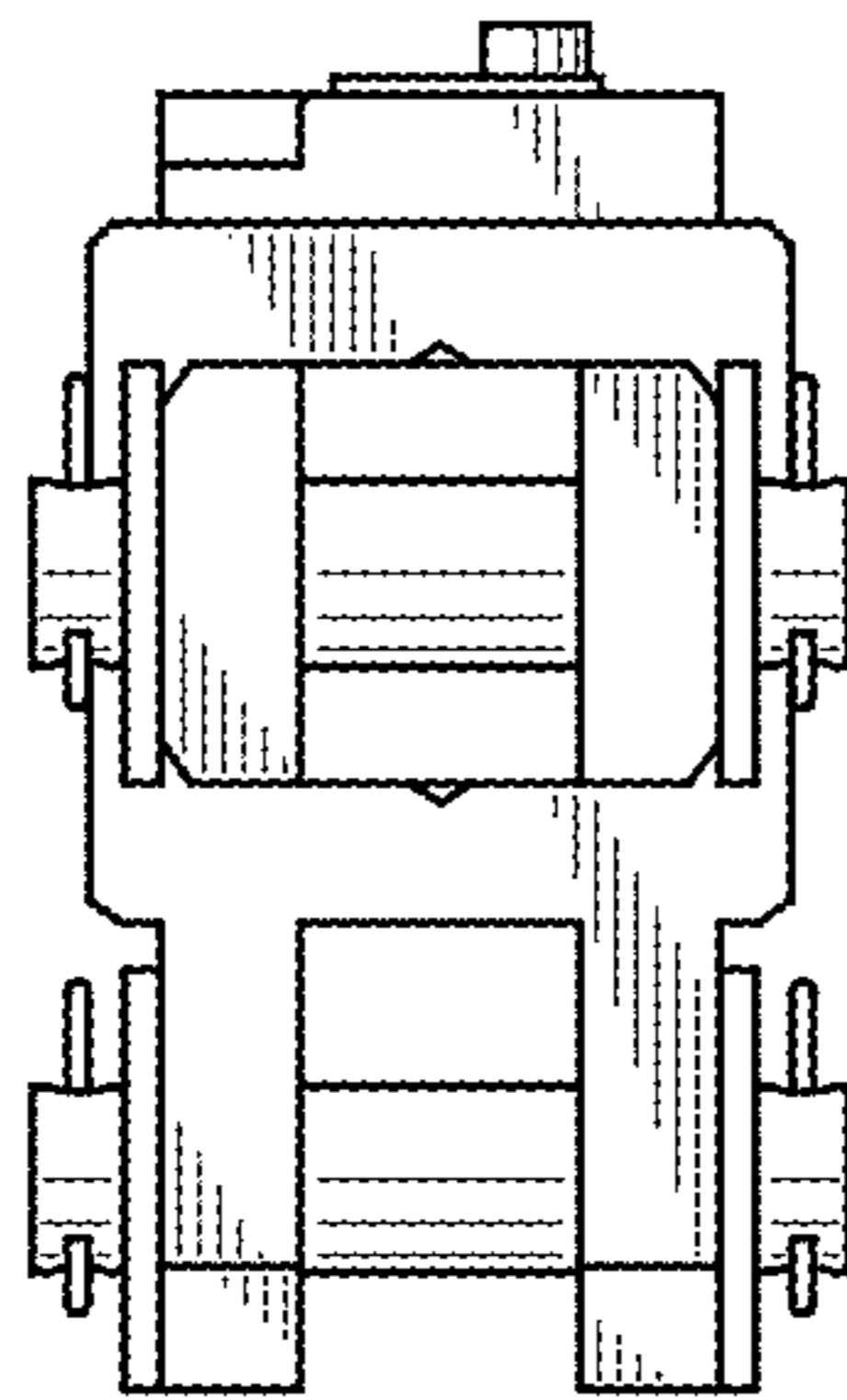


FIG. 24

