



US00D861040S

(12) **United States Design Patent** (10) **Patent No.:** **US D861,040 S**
Raskin (45) **Date of Patent:** **** Sep. 24, 2019**

(54) **RECOIL COVER FOR AN INTERNAL COMBUSTION ENGINE**
(71) Applicant: **Imperial Industrial Supply Co.,**
Ontario, CA (US)
(72) Inventor: **David Raskin,** Ontario, CA (US)
(73) Assignee: **Imperial Industrial Supply Co.,**
Ontario, CA (US)

D581,431 S * 11/2008 Shimomura D15/5
D585,459 S * 1/2009 Jing D15/5
D594,879 S * 6/2009 Jing D15/5
D624,562 S * 9/2010 Neeley D15/17
D733,186 S * 6/2015 Bink D15/5
2014/0261259 A1* 9/2014 Sullivan F01P 5/02
123/41.65
2015/0361932 A1* 12/2015 Kakuk F02B 75/00
55/385.3
2017/0328315 A1* 11/2017 Sullivan F02M 35/02416
2017/0335817 A1* 11/2017 De Lise A01D 34/6818

(**) Term: **15 Years**

* cited by examiner

(21) Appl. No.: **29/657,573**

Primary Examiner — T Chase Nelson

(22) Filed: **Jul. 24, 2018**

Assistant Examiner — Ania Aman

(51) **LOC (12) Cl.** **15-01**

(74) *Attorney, Agent, or Firm* — Fleit Gibbons Gutman
Bongini & Bianco PL; Paul D. Bianco; Lourdes Perez

(52) **U.S. Cl.**
USPC **D15/5**

(57) **CLAIM**

The ornamental design for a recoil cover for an internal combustion engine, as shown and described.

(58) **Field of Classification Search**
USPC D15/1-6; D13/112, 113, 114, 115, 116,
D13/122

DESCRIPTION

CPC ... F02N 1/00; F02N 1/005; F02N 1/02; F02N
3/02; F02N 3/00

See application file for complete search history.

FIG. 1 is a top perspective view of a recoil cover for an internal combustion engine according to the present invention;

(56) **References Cited**

U.S. PATENT DOCUMENTS

D342,076 S * 12/1993 Heismann D15/5
D367,070 S * 2/1996 Maeda D15/1
6,474,290 B1 * 11/2002 Coffey B01D 46/0023
123/198 C
D468,751 S * 1/2003 Neeley D15/1
D549,241 S 8/2007 Giddens

FIG. 2 is a bottom perspective view of the recoil cover of FIG. 1;

FIG. 3 is a top view of the recoil cover of FIG. 1;

FIG. 4 is a bottom view of the recoil cover of FIG. 1;

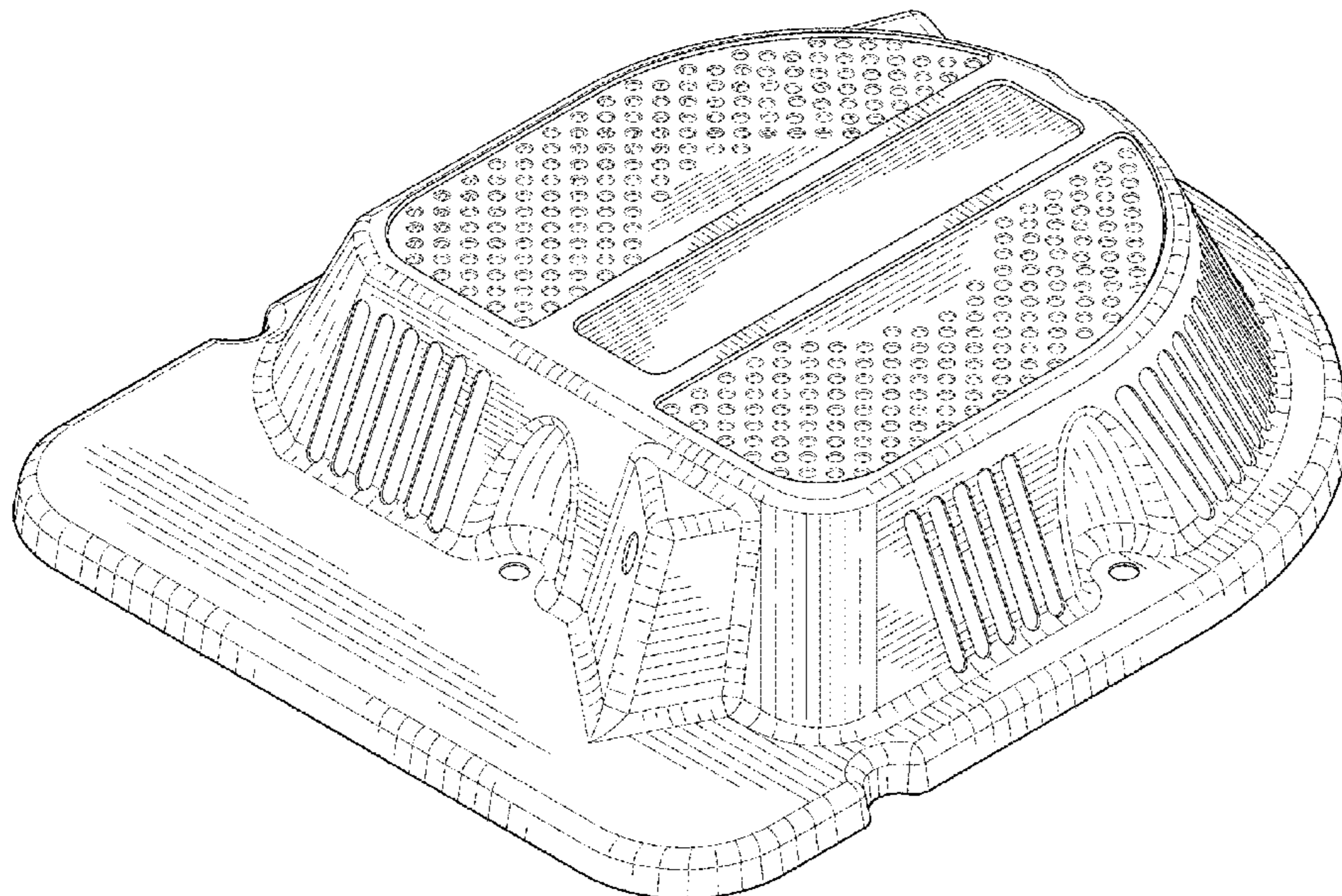
FIG. 5 is a back view of the recoil cover of FIG. 1;

FIG. 6 is a front view of the recoil cover of FIG. 1;

FIG. 7 is a first side view of the recoil cover of FIG. 1; and,

FIG. 8 is a second side view of the recoil cover of FIG. 1.

1 Claim, 6 Drawing Sheets



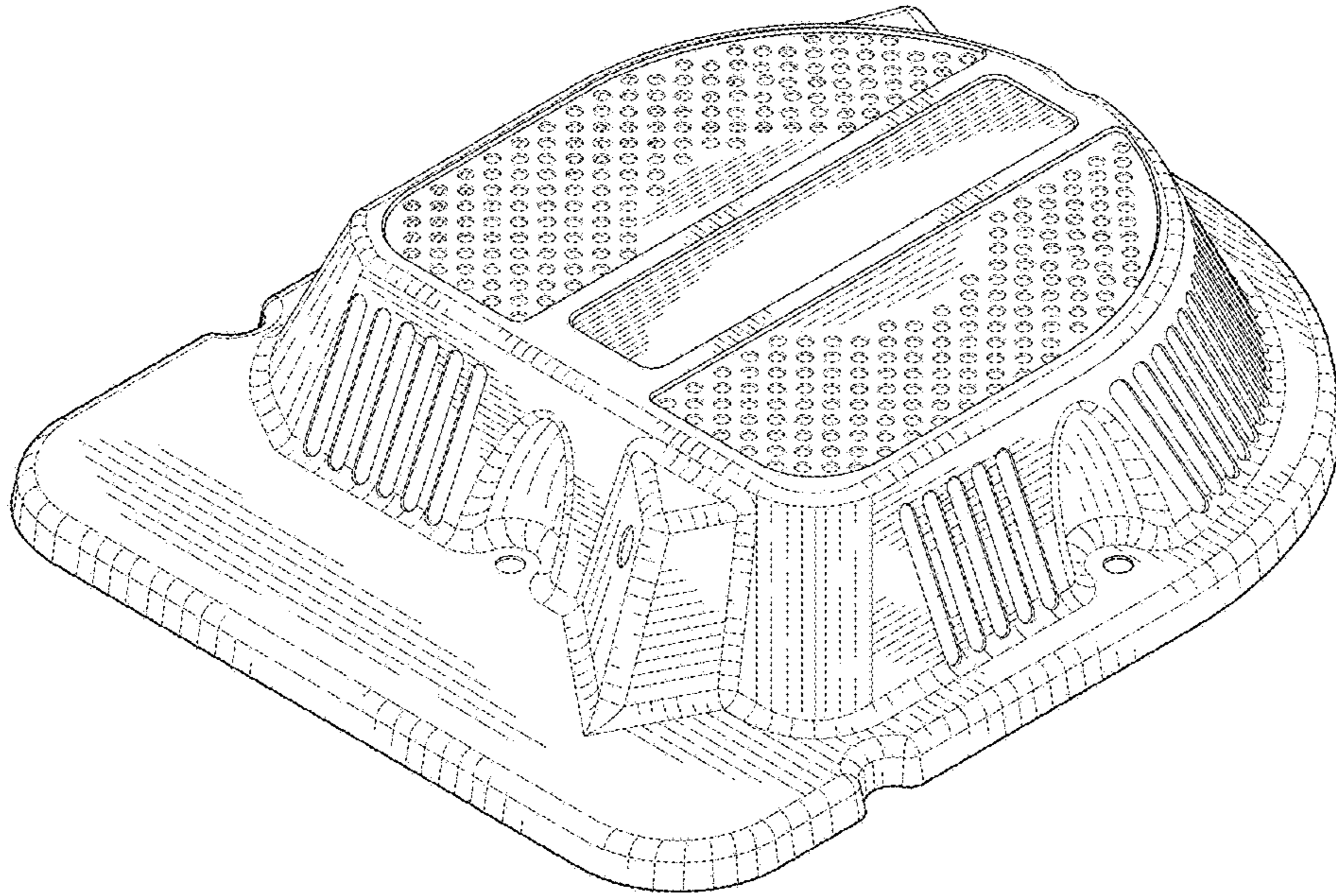


FIG.1

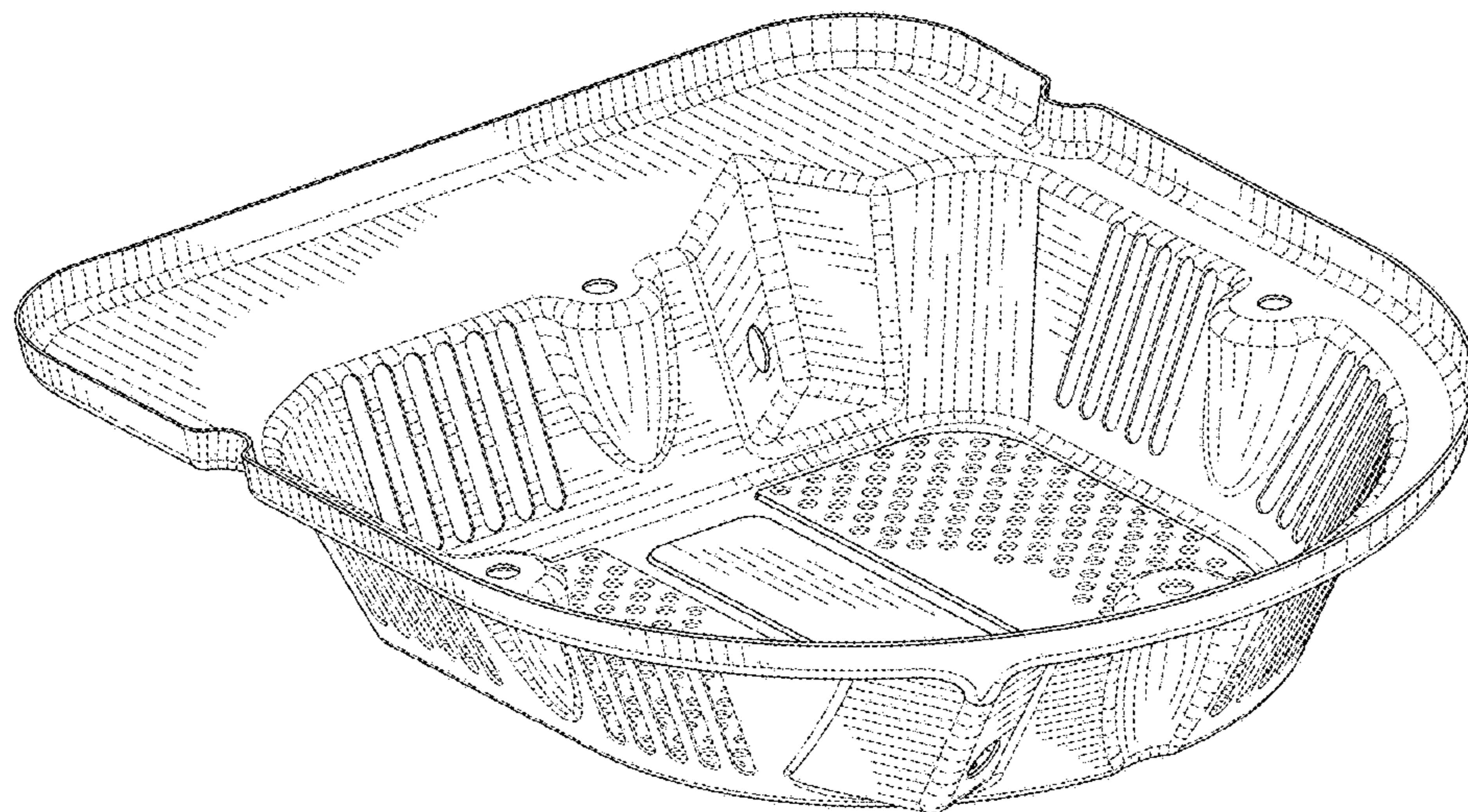


FIG.2

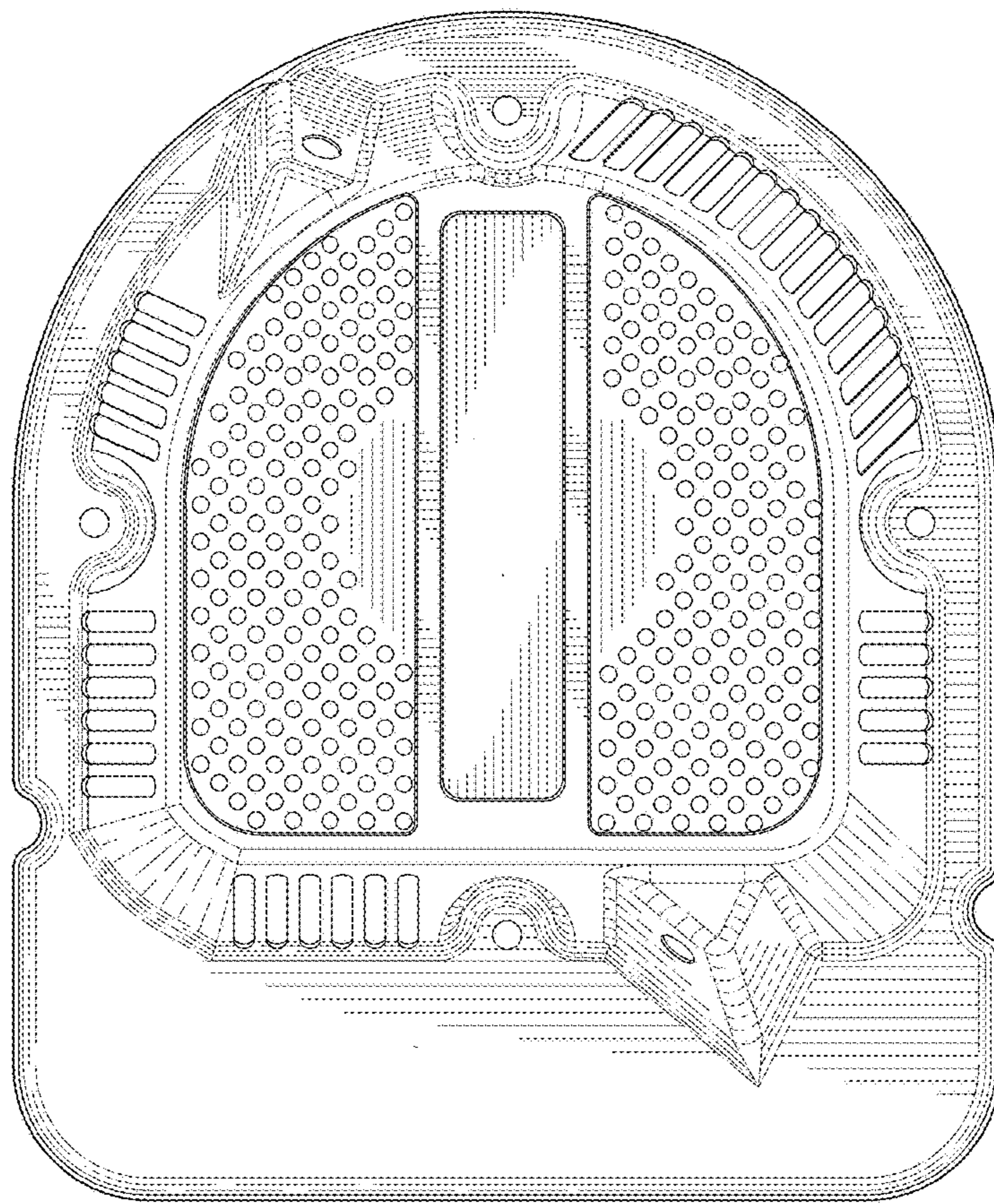


FIG.3

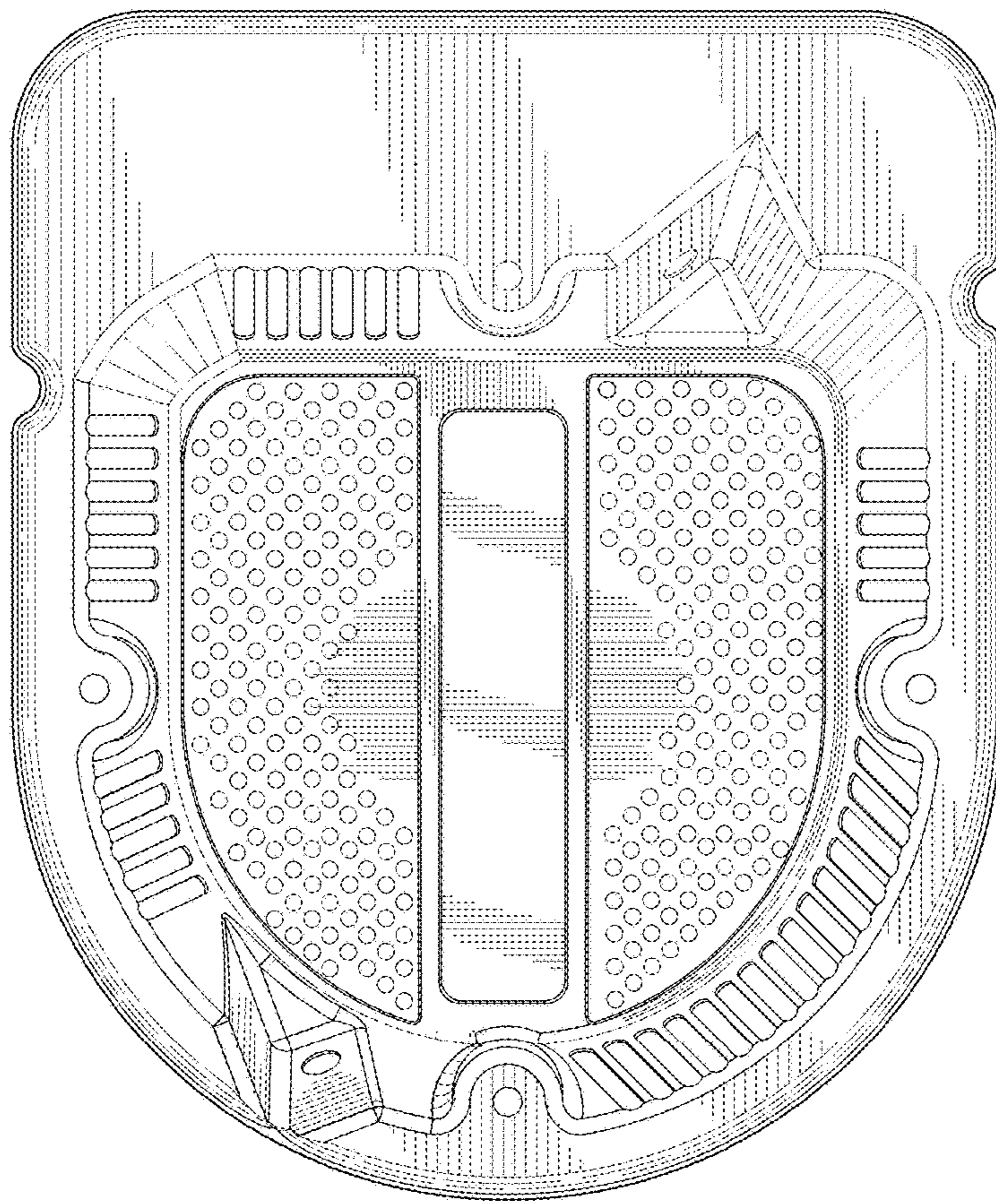


FIG. 4

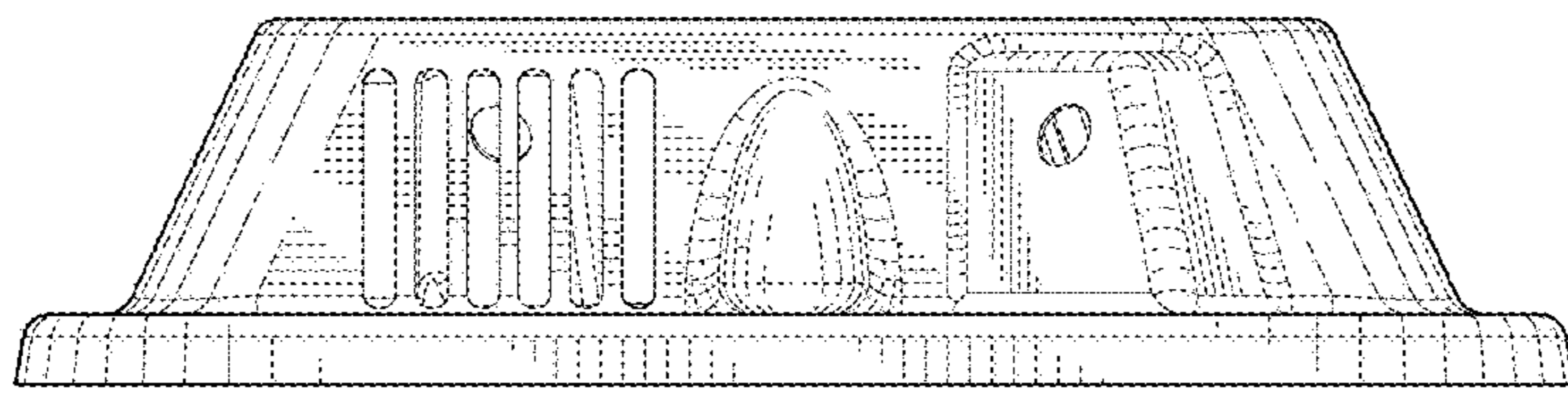


FIG. 5

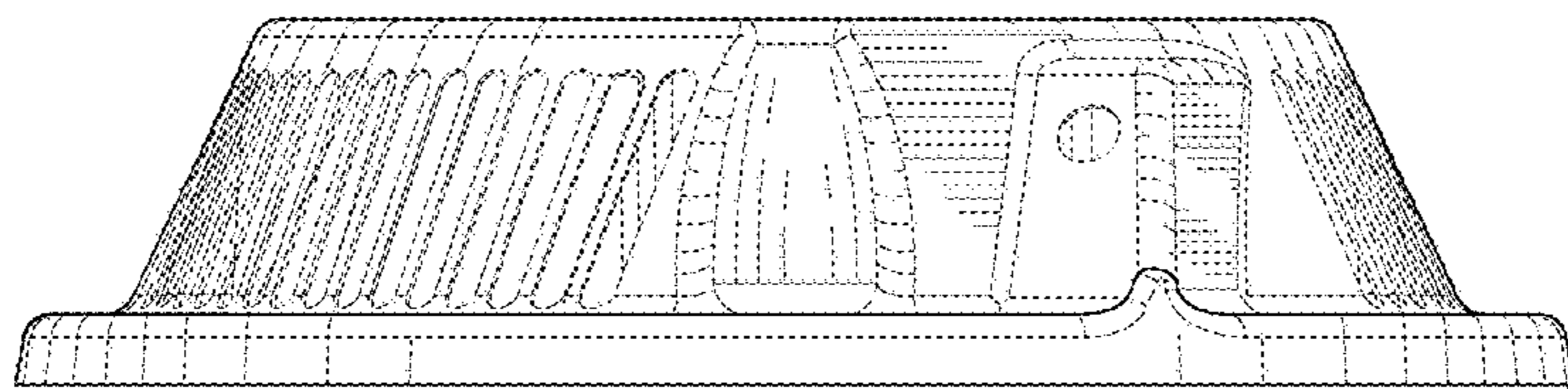


FIG. 6

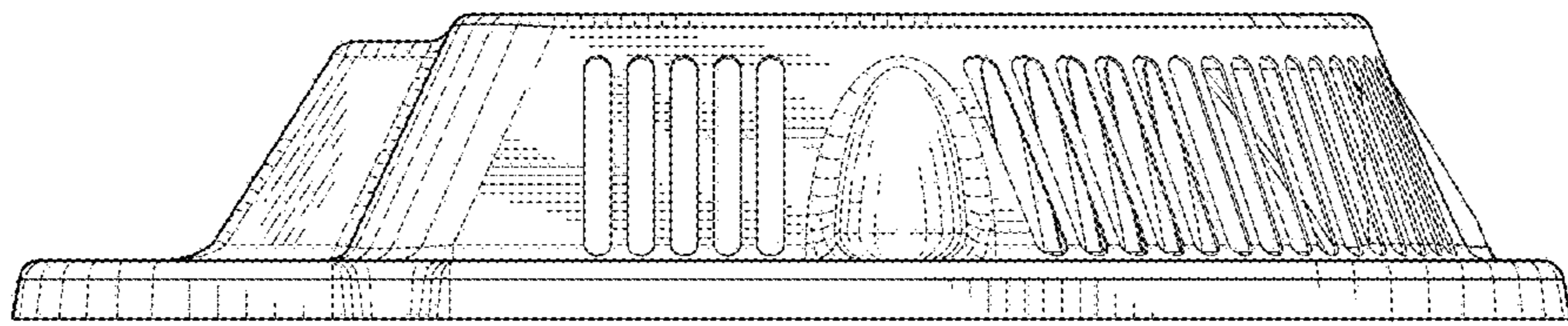


FIG. 7

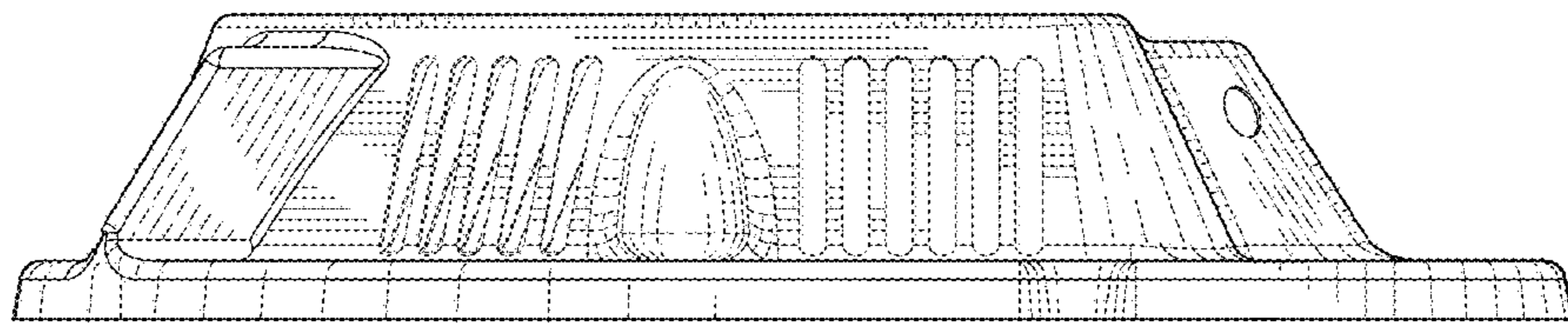


FIG. 8