



US00D861039S

(12) **United States Design Patent** (10) **Patent No.:** **US D861,039 S**
Yang et al. (45) **Date of Patent:** **** Sep. 24, 2019**

(54) **DVD PLAYER**
(71) Applicant: **LG ELECTRONICS INC.**, Seoul (KR)
(72) Inventors: **Heesu Yang**, Seoul (KR); **Junki Kim**, Seoul (KR); **Gangho Woo**, Seoul (KR)
(73) Assignee: **LG ELECTRONICS INC.**, Seoul (KR)

D654,507 S * 2/2012 Yagi D14/502
D654,932 S * 2/2012 Yagi D14/502
D655,271 S * 3/2012 Park D14/188
D680,553 S * 4/2013 Wang D14/505
D705,267 S * 5/2014 Li D14/502
D714,344 S * 9/2014 Kim D14/496
D776,633 S * 1/2017 Williamson D14/188
D786,822 S * 5/2017 Williamson D14/188
2013/0112454 A1* 5/2013 Wan H05K 5/0004
174/50

(**) Term: **15 Years**

(21) Appl. No.: **35/504,657**

(22) Filed: **Sep. 18, 2017**

(80) **Hague Agreement Data**

Int. Filing Date: **Sep. 18, 2017**
Int. Reg. No.: **DM/097779**
Int. Reg. Date: **Sep. 18, 2017**
Int. Reg. Pub. Date: **Mar. 23, 2018**

(30) **Foreign Application Priority Data**

Aug. 31, 2017 (KR) 30-2017-0040647

(51) **LOC (12) Cl.** **14-03**

(52) **U.S. Cl.**
USPC **D14/502; D14/503**

(58) **Field of Classification Search**
USPC D14/125, 188, 496, 498, 500, 502, 503, D14/504, 505
CPC H05K 5/04
See application file for complete search history.

(56) **References Cited**

U.S. PATENT DOCUMENTS

D602,889 S * 10/2009 Cho D14/125
D603,868 S * 11/2009 Cho D14/502
D645,474 S * 9/2011 Cho D14/502
D645,476 S * 9/2011 Kim D14/502

OTHER PUBLICATIONS

LG UP970_ 4K Ultra HD Blu-ray Disc Player, as archived by the internet archive on Apr. 27, 2017, [online], [site visited Feb. 15, 2019]. Retrieved from url: <https://web.archive.org/web/20170427013713/https://www.lg.com/us/home-video/lg-UP970-blu-ray-player> (Year: 2017).*

* cited by examiner

Primary Examiner — Jeffrey D Asch
Assistant Examiner — Tracey J Bell
(74) *Attorney, Agent, or Firm* — Birch, Stewart, Kolasch & Birch, LLP

(57) **CLAIM**

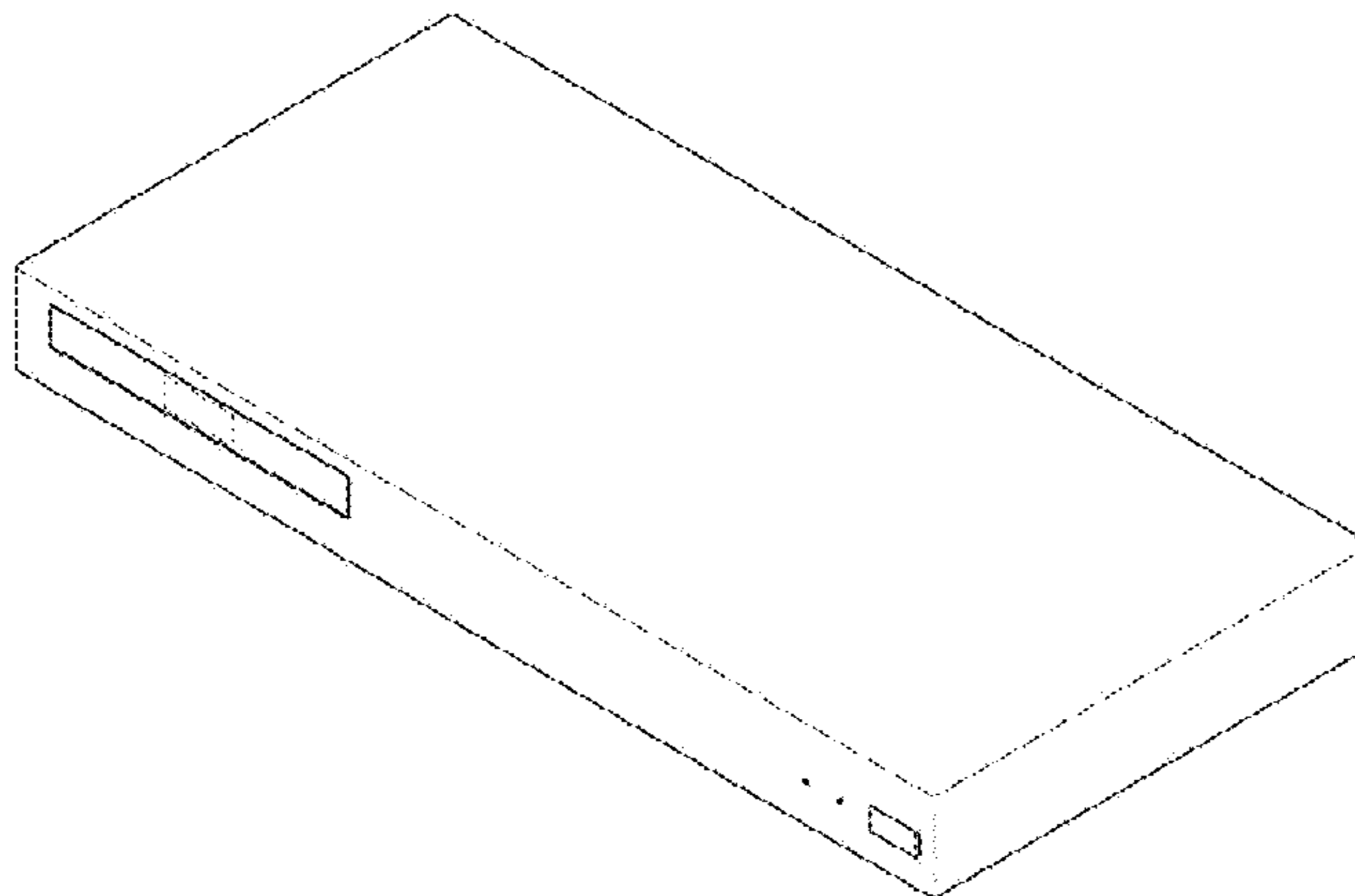
The ornamental design for a DVD player, as shown and described.

DESCRIPTION

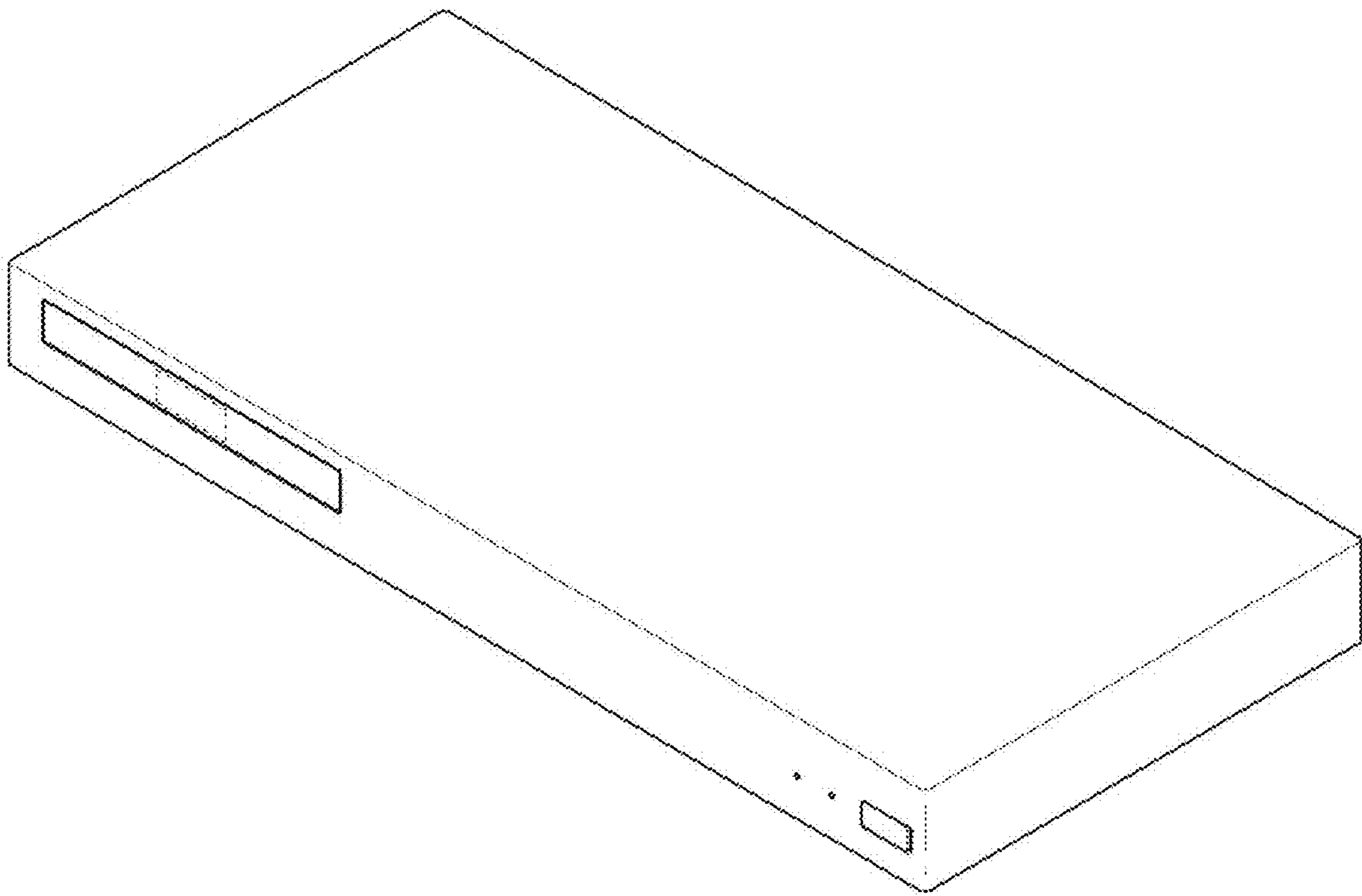
- 1. DVD player
- 1.1 : Perspective
- 1.2 : Front
- 1.3 : Back
- 1.4 : Left
- 1.5 : Right
- 1.6 : Top
- 1.7 : Bottom

The broken lines indicate portions of the DVD player that form no part of the claimed design.

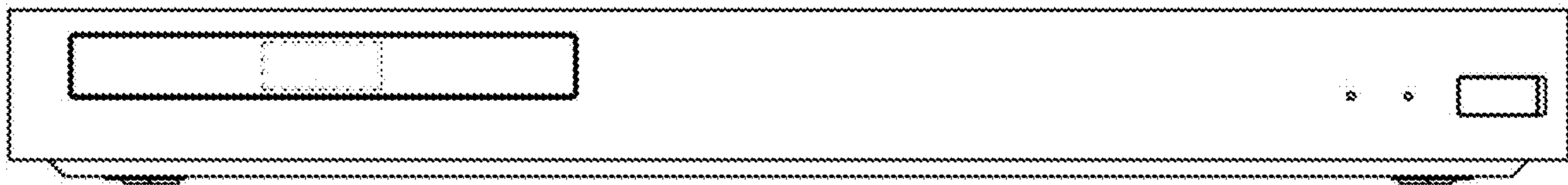
1 Claim, 7 Drawing Sheets



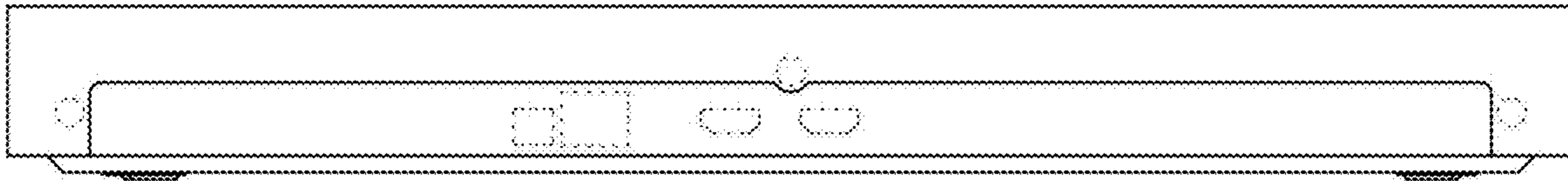
1.1



1.2



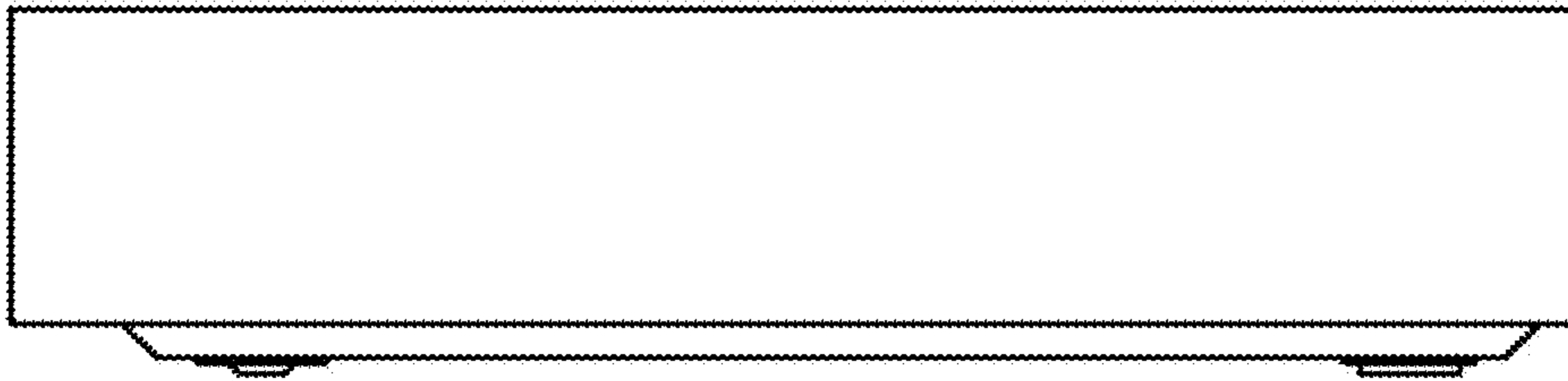
1.3



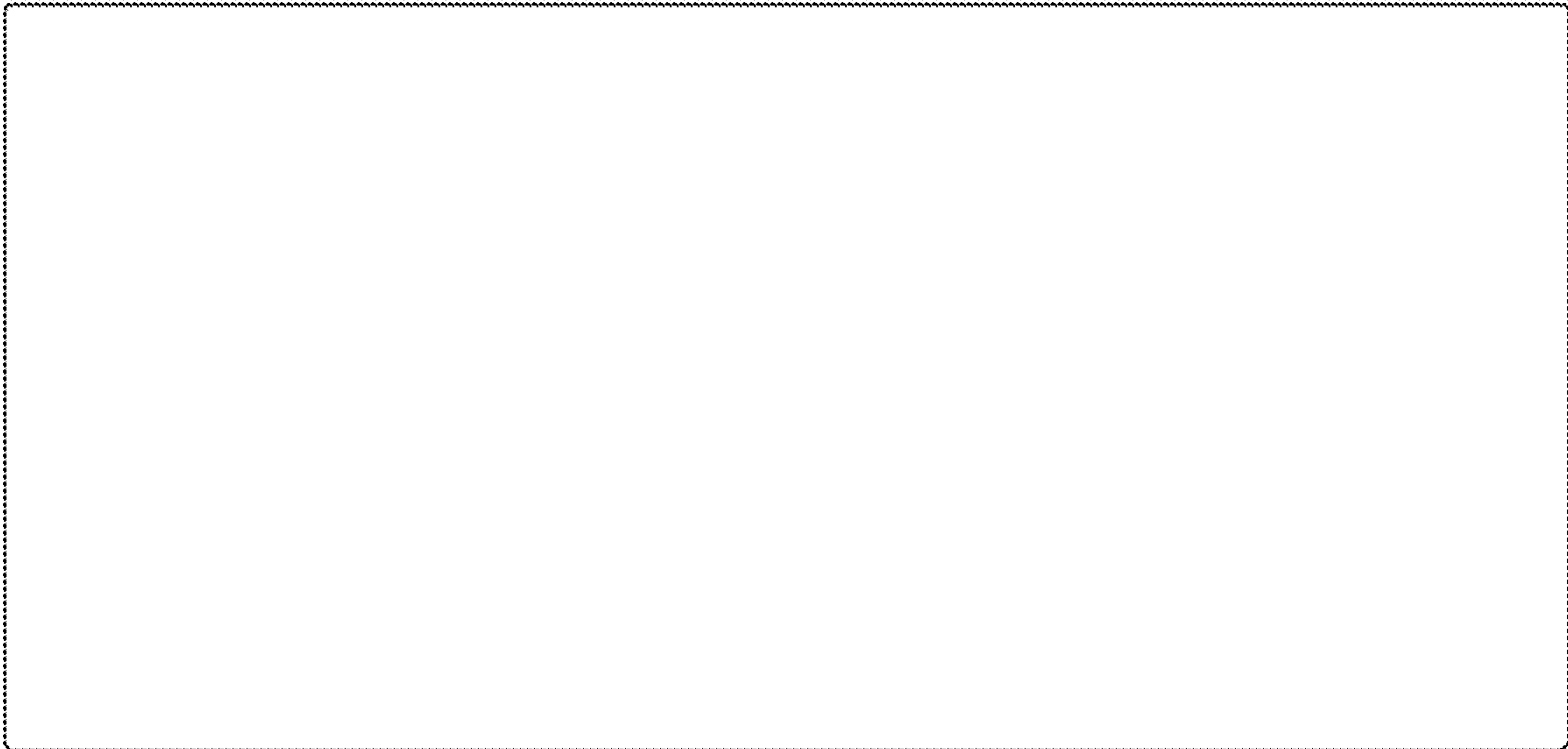
1.4



1.5



1.6



1.7

