



US00D861035S

(12) **United States Design Patent** (10) **Patent No.:** **US D861,035 S**
Park et al. (45) **Date of Patent:** **** Sep. 24, 2019**

(54) **DISPLAY SCREEN WITH ANIMATED ICON**

(71) Applicant: **Google LLC**, Mountain View, CA (US)

(72) Inventors: **Hélène Park**, San Francisco, CA (US);
Alan Bettis, San Francisco, CA (US);
Sidney San Martín, Brooklyn, NY (US)

(73) Assignee: **Google LLC**, Mountain View, CA (US)

(**) Term: **15 Years**

(21) Appl. No.: **29/638,850**

(22) Filed: **Mar. 1, 2018**

(51) **LOC (12) Cl.** **14-04**

(52) **U.S. Cl.**
USPC **D14/491**

(58) **Field of Classification Search**
USPC D14/485, 487, 486, 488, 489–495
CPC G06T 13/80; G06T 15/02; H04M
1/72519–72561; G06F 3/0484; G05B
19/418
See application file for complete search history.

(56) **References Cited**

U.S. PATENT DOCUMENTS

D400,521 S *	11/1998	Keller	D14/490
D405,775 S *	2/1999	Newton	D14/491
D480,401 S *	10/2003	Kahn	D14/488
D494,983 S *	8/2004	Peter	D14/491
7,903,115 B2	3/2011	Platzer et al.		
D752,099 S *	3/2016	Yu	D14/491
D758,424 S *	6/2016	Ding	D14/488
D761,277 S	7/2016	Harvell		
D763,870 S	8/2016	Kim		
D763,910 S	8/2016	Drozd et al.		
D771,126 S	11/2016	Cho et al.		
D771,130 S	11/2016	Cho et al.		
D771,703 S *	11/2016	Asai	G06Q 30/0257 D14/491

D786,932 S	5/2017	Kim et al.		
D800,773 S *	10/2017	Kim	D14/492
D803,242 S	11/2017	Mizona et al.		
D804,522 S	12/2017	Sachtleben et al.		
D807,376 S	1/2018	Mizono et al.		
D817,341 S	5/2018	Jeon et al.		
D823,859 S *	7/2018	Boyd	D14/485
D824,416 S	7/2018	Memmelaar, Jr. et al.		
10,063,908 B2	8/2018	Jain		

(Continued)

OTHER PUBLICATIONS

Burocratik. "Download." Dribbble.com, posted Jul. 9, 2014 (Retrieved from the Internet Apr. 30, 2019). Internet URL: < https://dribbble.com/shots/1634833-Download > (Year: 2014).*

(Continued)

Primary Examiner — Jack Reickel

Assistant Examiner — Rachel A Voorhies

(74) *Attorney, Agent, or Firm* — Finnegan, Henderson, Farabow, Garrett & Dunner, LLP

(57) **CLAIM**

The ornamental design for a display screen with animated icon, as shown and described.

DESCRIPTION

FIG. 1 is a front view of a display screen with animated icon, showing our new design;

FIG. 2 is a front view of a second image thereof;

FIG. 3 is a front view of a third image thereof;

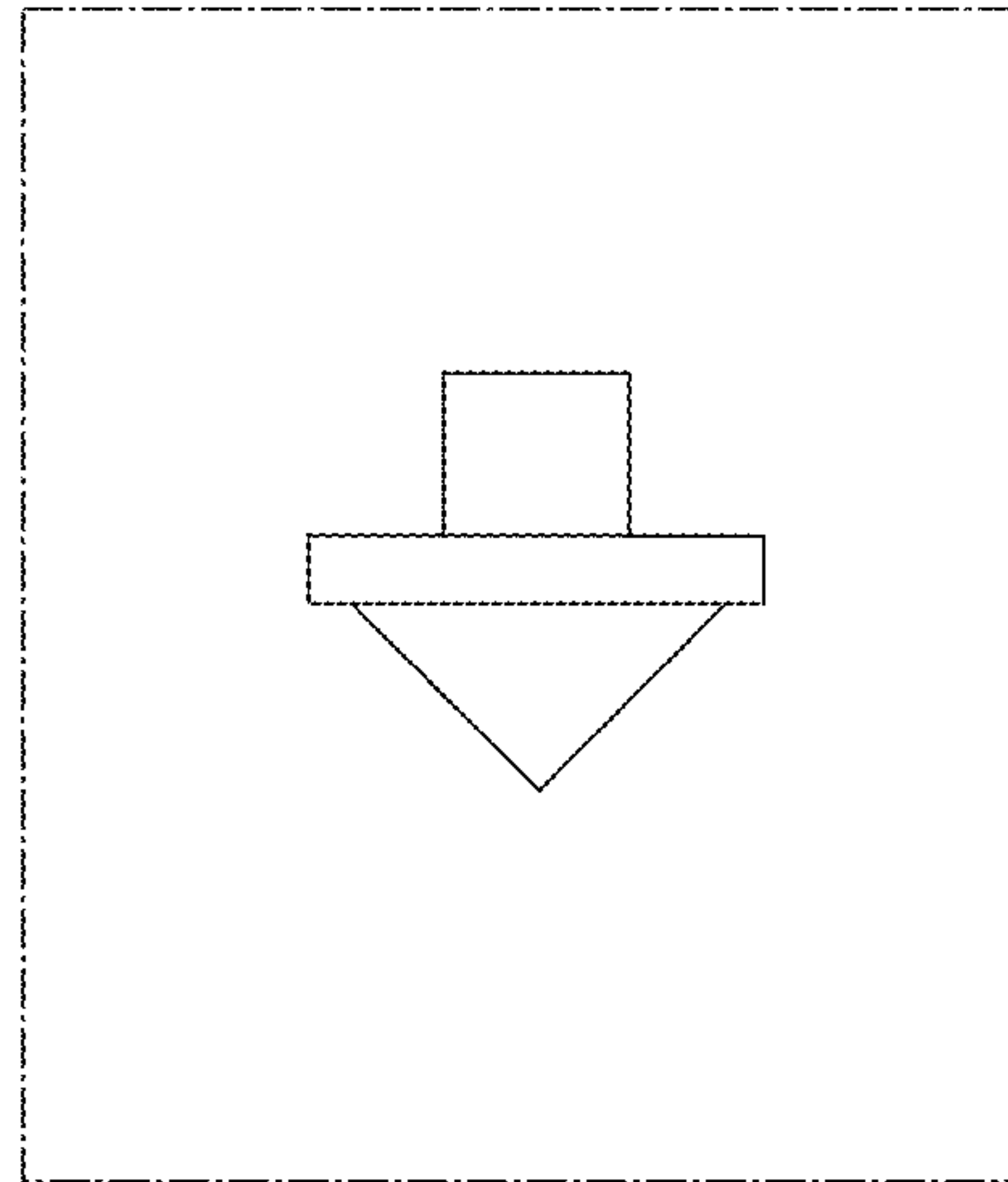
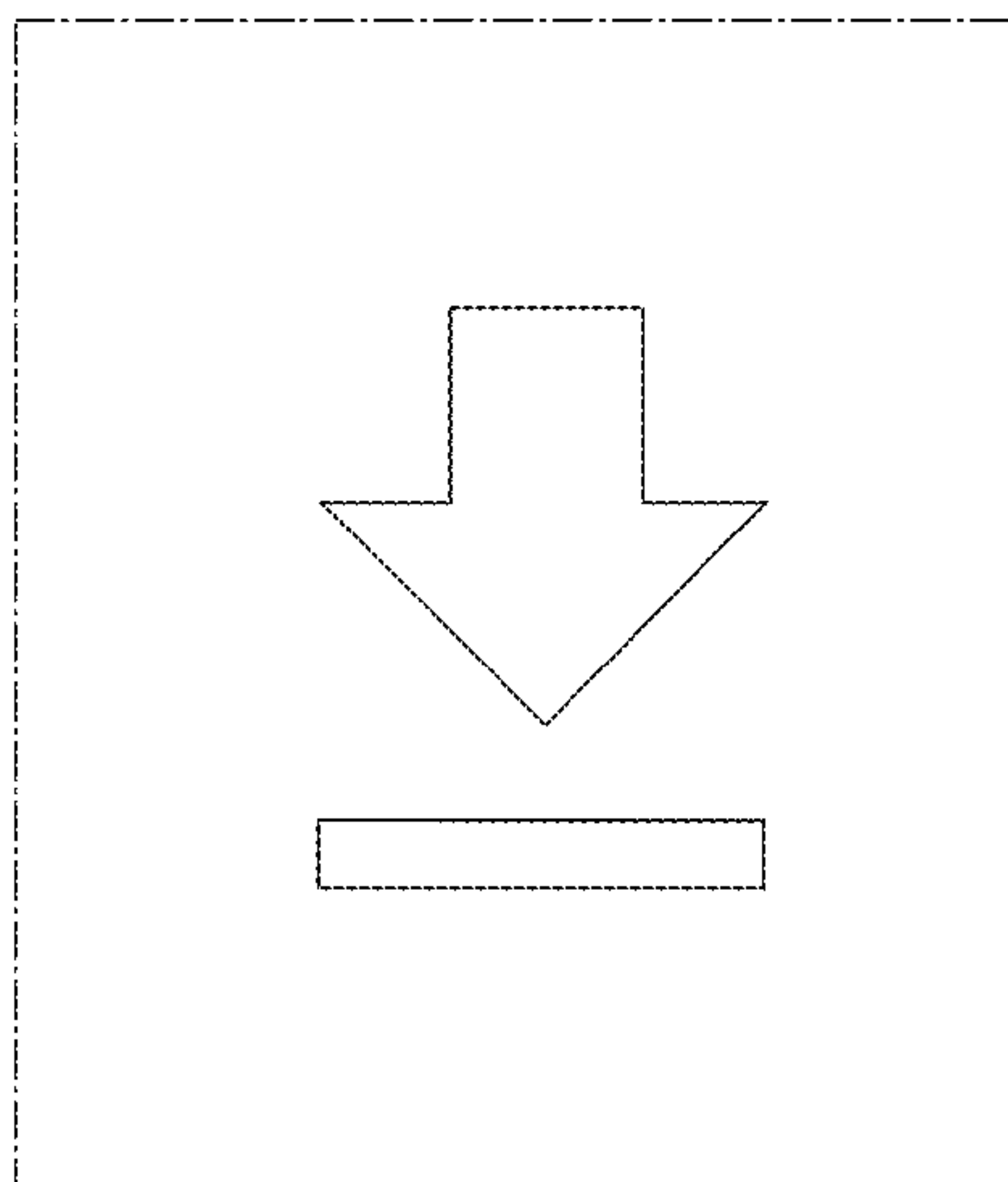
FIG. 4 is a front view of a fourth image thereof; and,

FIG. 5 is a front view of a fifth image thereof.

The appearance of the animated icon sequentially transitions between the images shown in FIGS. 1-5. The process or period in which one image transitions to another image forms no part of the claimed design.

The broken lines of uneven length show the display screen and form no part of the claimed design.

1 Claim, 5 Drawing Sheets



(56)

References Cited

U.S. PATENT DOCUMENTS

D829,767 S	10/2018	Schaper et al.	
D831,070 S	10/2018	Doti et al.	
D837,807 S	1/2019	Baber et al.	
D844,637 S *	4/2019	Boelte	G06F 16/686 D14/491
D844,659 S *	4/2019	Ball	G06F 3/167 D14/491
D847,171 S *	4/2019	Nishiura	D14/486
D847,194 S	4/2019	Zhu et al.	
2012/0123865 A1 *	5/2012	Salzano	G06Q 30/0257 705/14.55
2015/0040012 A1 *	2/2015	Faaborg	G06F 3/167 715/728
2016/0110064 A1 *	4/2016	Shapira	G06F 16/686 705/14.27

OTHER PUBLICATIONS

Saeng-a-loon Chaengsavang, Pete. "Download animation." Dribbble.com, posted Nov. 25, 2015 (Retrieved from the Internet Apr. 30,

2019). Internet URL: <<https://dribbble.com/shots/2373208-Download-animation>> (Year: 2015).*

Gannon, Chris. "SVG Download Icon." CodePen, updated Sep. 8, 2017 (Retrieved from the Internet Apr. 30, 2019). Internet URL: <<https://codepen.io/chrisgannon/details/NNJLrY>> (Year: 2017).*

S2Creatives. "Downloading arrow." Dribbble.com, posted Jun. 19, 2017 (Retrieved from the Internet Apr. 30, 2019). Internet URL: <<https://dribbble.com/shots/3576887-Downloading-arrow>> (Year: 2017).*

Hélène Park et al., U.S. Appl. No. 29/638,872 for "Display Screen With Animated Icon," filed Mar. 1, 2018.

Notice of Allowance dated May 15, 2019, issued in co-pending U.S. Appl. No. 29/638,872.

Lebovics, Warren. "Download/Save Animation." Dribbble, posted Sep. 14, 2014 (Retrieved from Internet May 9, 2019). Internet URL: <<https://dribbble.com/shots/1725734-Download-Save-Animation>> (Year: 2014).

Martinius, Tamino. "Download icon & progress." Dribbble, posted Apr. 15, 2016 (Retrieved from Internet May 9, 2019). Internet URL: <<https://dribbble.com/shots/2654081-Download-icon-progress>> (Year: 2016).

* cited by examiner

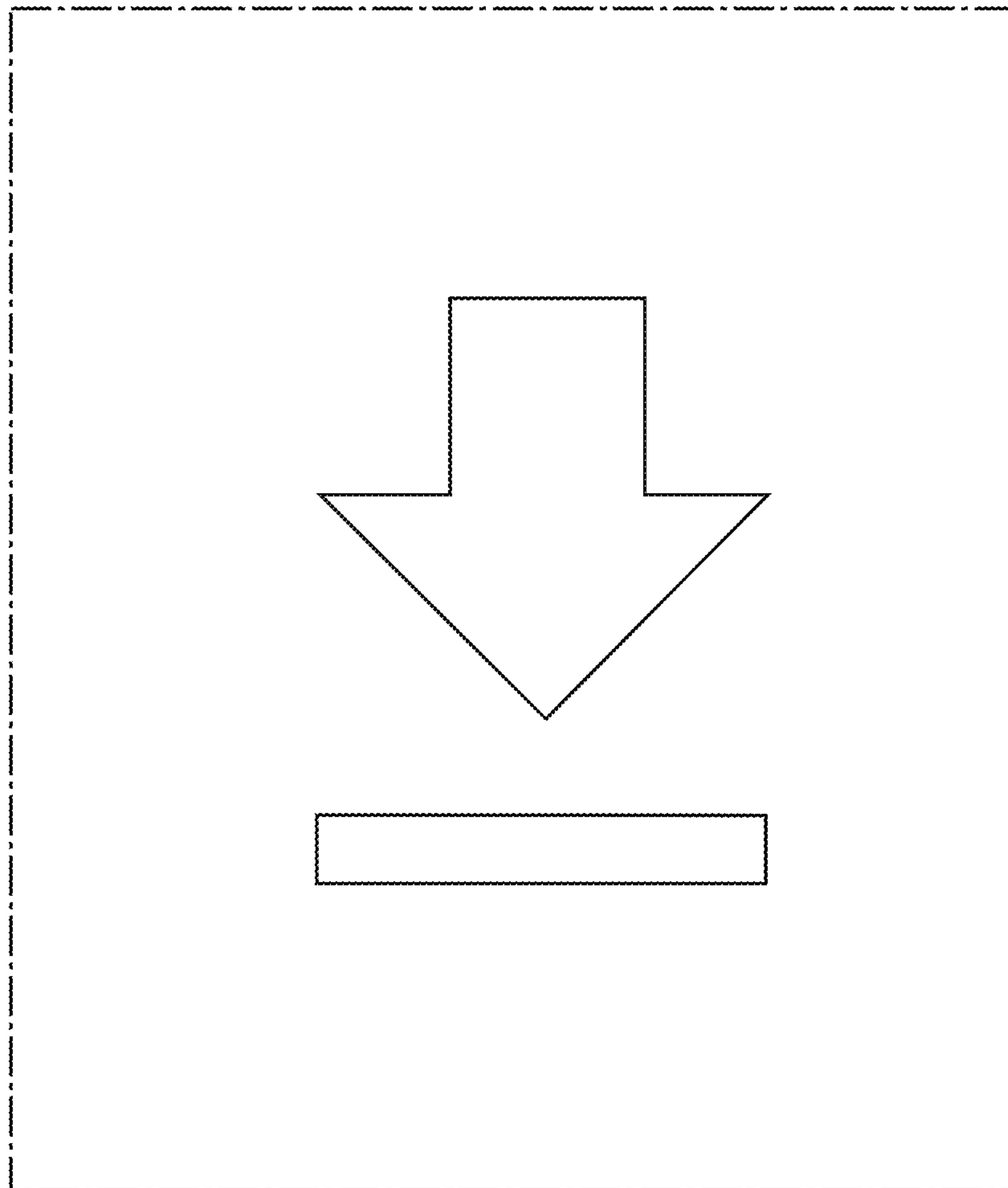


FIG. 1

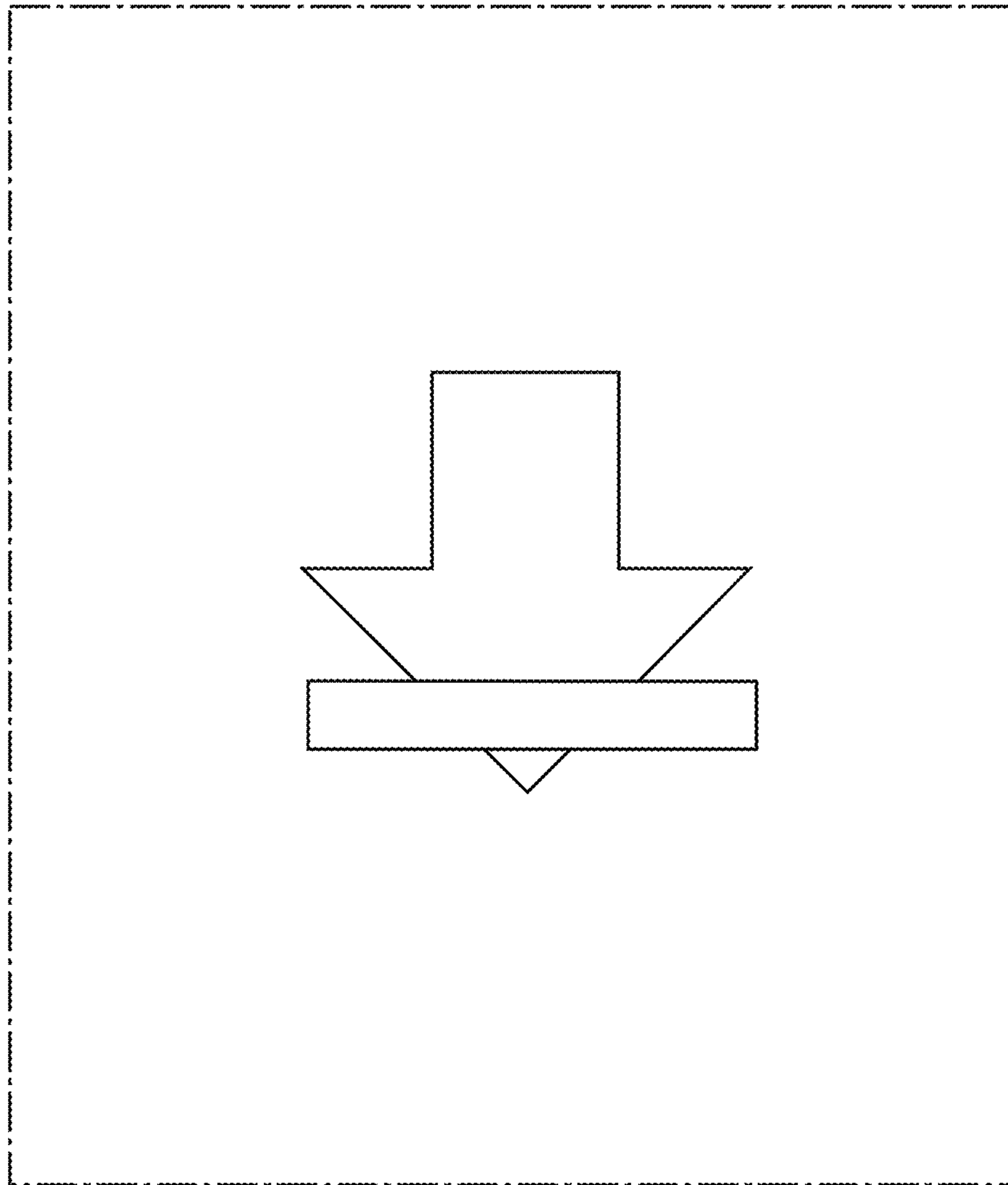


FIG. 2

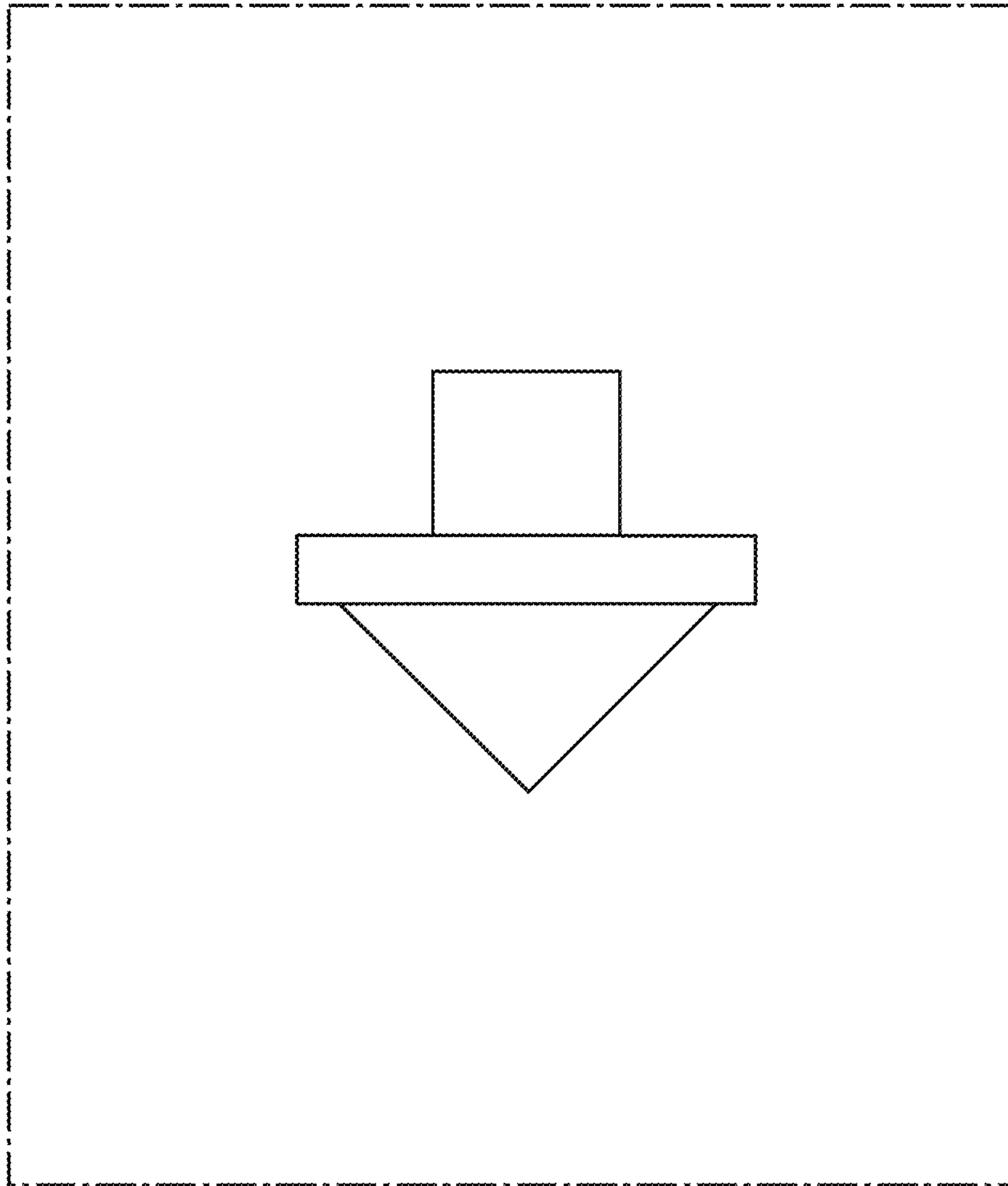


FIG. 3

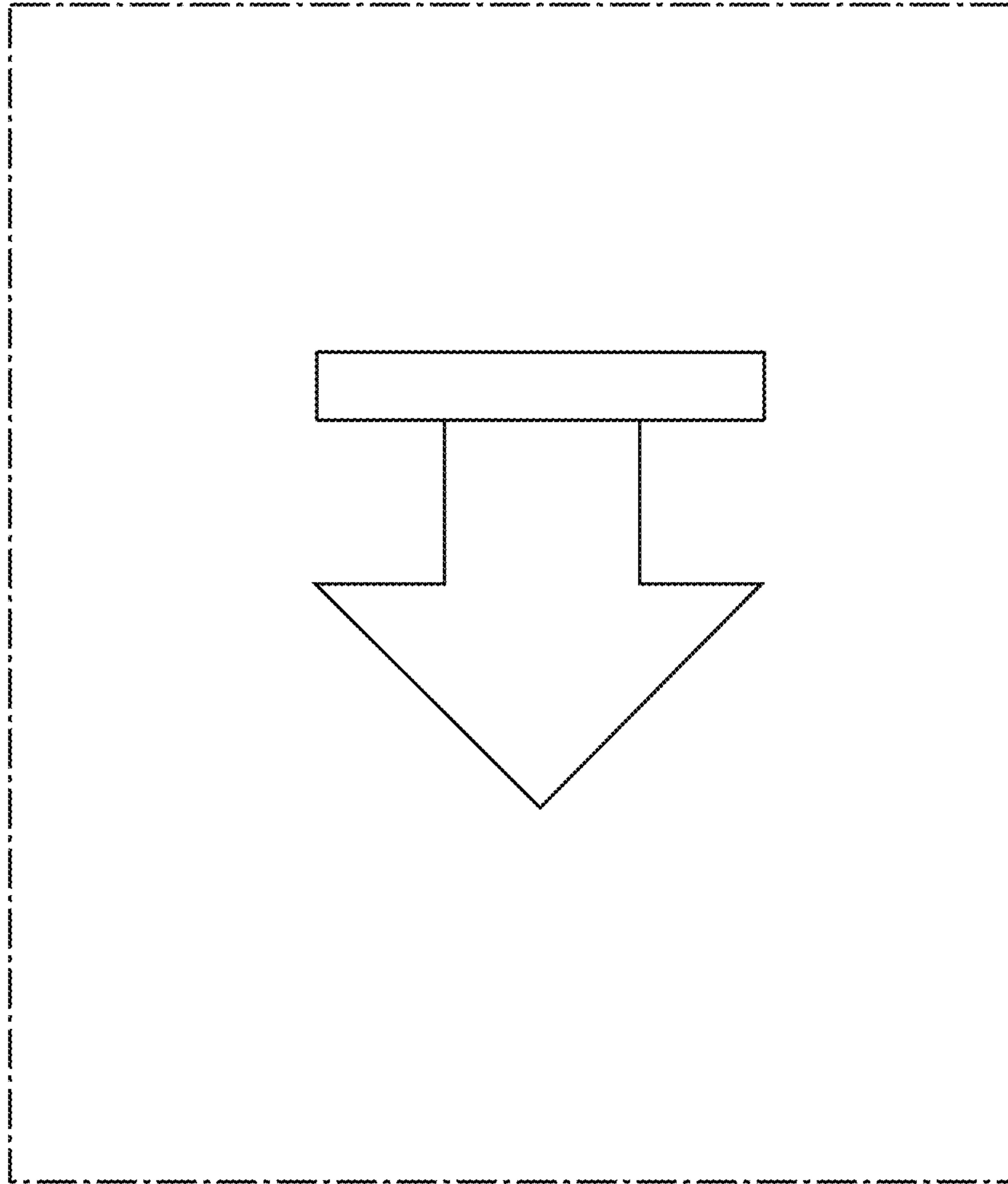


FIG. 4

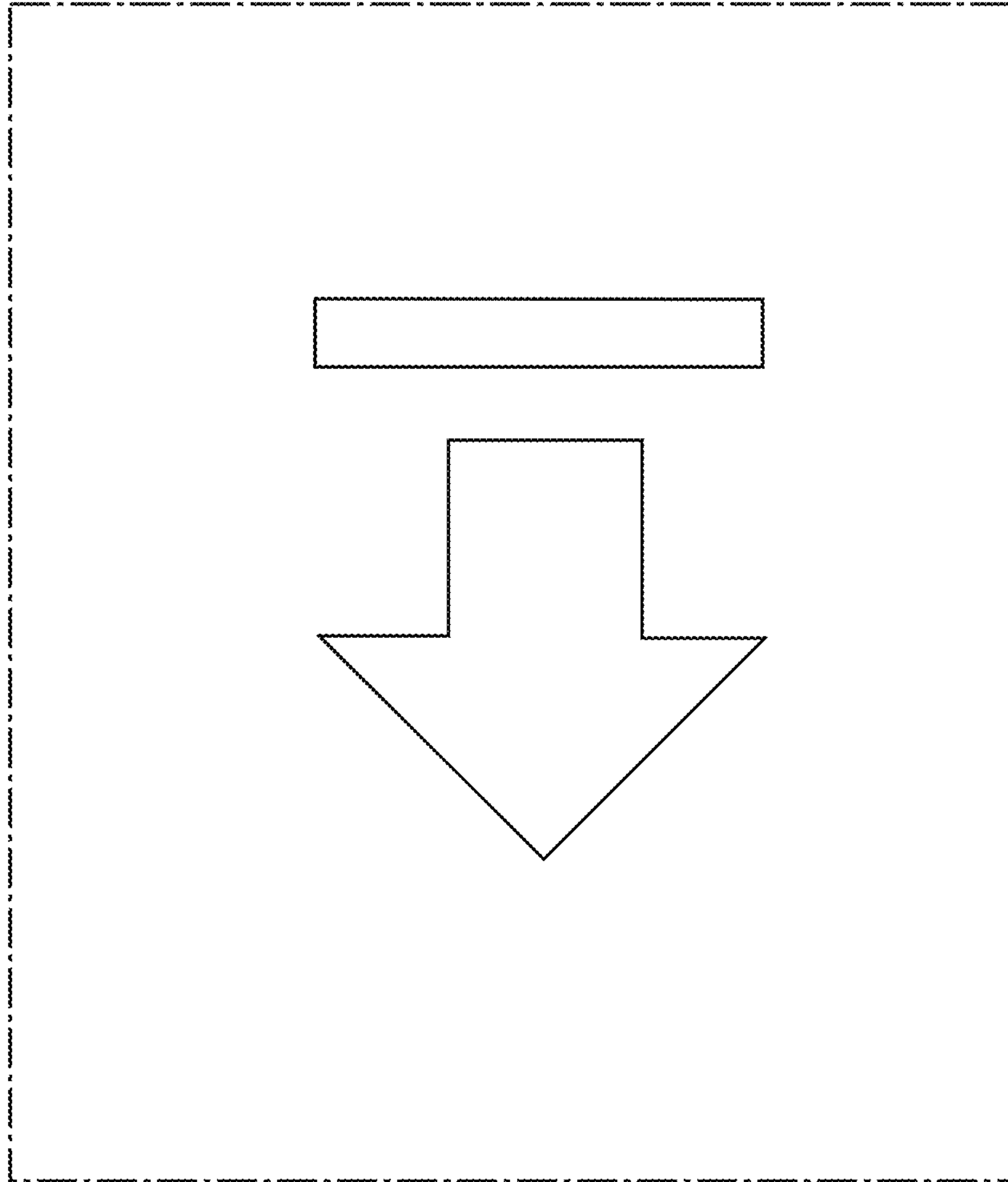


FIG. 5