



US00D861012S

(12) **United States Design Patent**
Brown et al.

(10) **Patent No.: US D861,012 S**
(45) **Date of Patent: ** *Sep. 24, 2019**

(54) **DISPLAY SCREEN OR PORTION THEREOF WITH TRANSITIONAL GRAPHICAL USER INTERFACE**

- (71) Applicant: **SUMMER INFANT (USA), INC.**,
Woonsocket, RI (US)
- (72) Inventors: **Paul MacPhail Brown**, Slatersville, RI (US); **Michael Fusco**, Greenville, RI (US); **Eyal Fishman**, Petah-Tikva (IL)
- (73) Assignee: **SUMMER INFANT (USA), INC.**,
Woonsocket, RI (US)
- (*) Notice: This patent is subject to a terminal disclaimer.
- (**) Term: **15 Years**
- (21) Appl. No.: **29/629,302**
- (22) Filed: **Dec. 12, 2017**
- (51) **LOC (12) Cl.** **14-04**
- (52) **U.S. Cl.**
USPC **D14/485**
- (58) **Field of Classification Search**
USPC D14/485–495

(Continued)

(56) **References Cited**

U.S. PATENT DOCUMENTS

- D717,830 S * 11/2014 Brinda D14/489
- D751,576 S * 3/2016 Kim D14/485

(Continued)

Primary Examiner — Richelle G Shelton

(74) *Attorney, Agent, or Firm* — Adler Pollock & Sheehan P.C.; Daniel J. Holmander, Esq.

(57) **CLAIM**

The ornamental design for a display screen or portion thereof with transitional graphical user interface, as shown and described.

DESCRIPTION

FIG. 1 is a front view of a first embodiment (with a rectangular feature) of a first image of a display screen or portion thereof with transitional graphical user interface showing our new design.

FIG. 2 is a front view of a first embodiment (with a rectangular feature) of a second image of a display screen or portion thereof with transitional graphical user interface showing our new design.

FIG. 3 is a front view of a first embodiment (with a rectangular feature) of a third image of a display screen or portion thereof with transitional graphical user interface showing our new design.

FIG. 4 is a front view of a second embodiment (with a square feature) of the first image of a display screen or portion thereof with transitional graphical user interface showing our new design.

FIG. 5 is a front view of a second embodiment (with a square feature) of the second image of a display screen or portion thereof with transitional graphical user interface showing our new design.

FIG. 6 is a front view of a second embodiment (with a square feature) of the third image of a display screen or portion thereof with transitional graphical user interface showing our new design.

FIG. 7 is a front view of a third embodiment (with an oval feature) of the first image of a display screen or portion thereof with transitional graphical user interface showing our new design.

FIG. 8 is a front view of a third embodiment (with an oval feature) of the second image of a display screen or portion thereof with transitional graphical user interface showing our new design.

FIG. 9 is a front view of a third embodiment (with an oval feature) of the third image of a display screen or portion thereof with transitional graphical user interface showing our new design.

FIG. 10 is a front view of a fourth embodiment (with a triangular feature) of the first image of a display screen or portion thereof with transitional graphical user interface showing our new design.

(Continued)

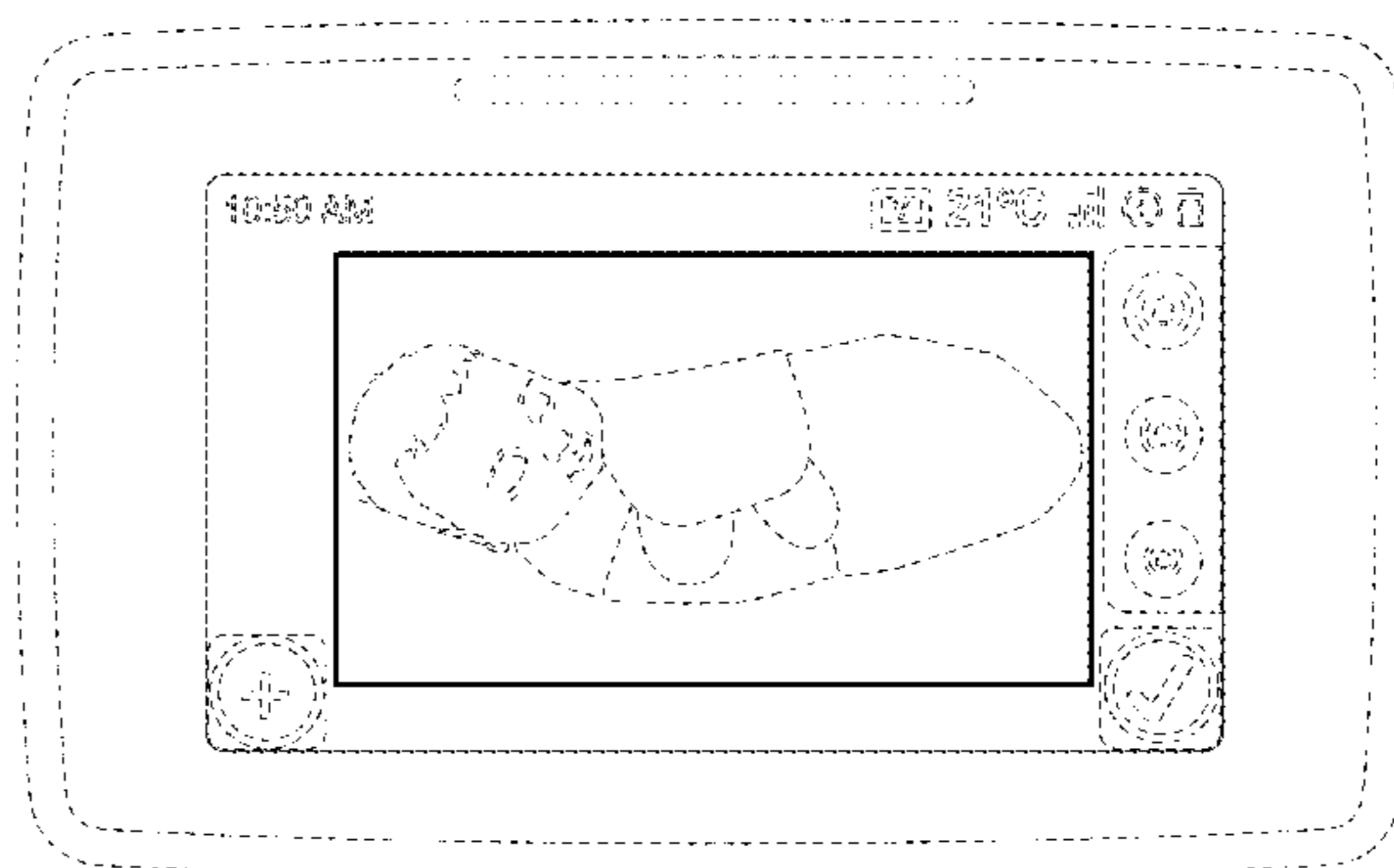
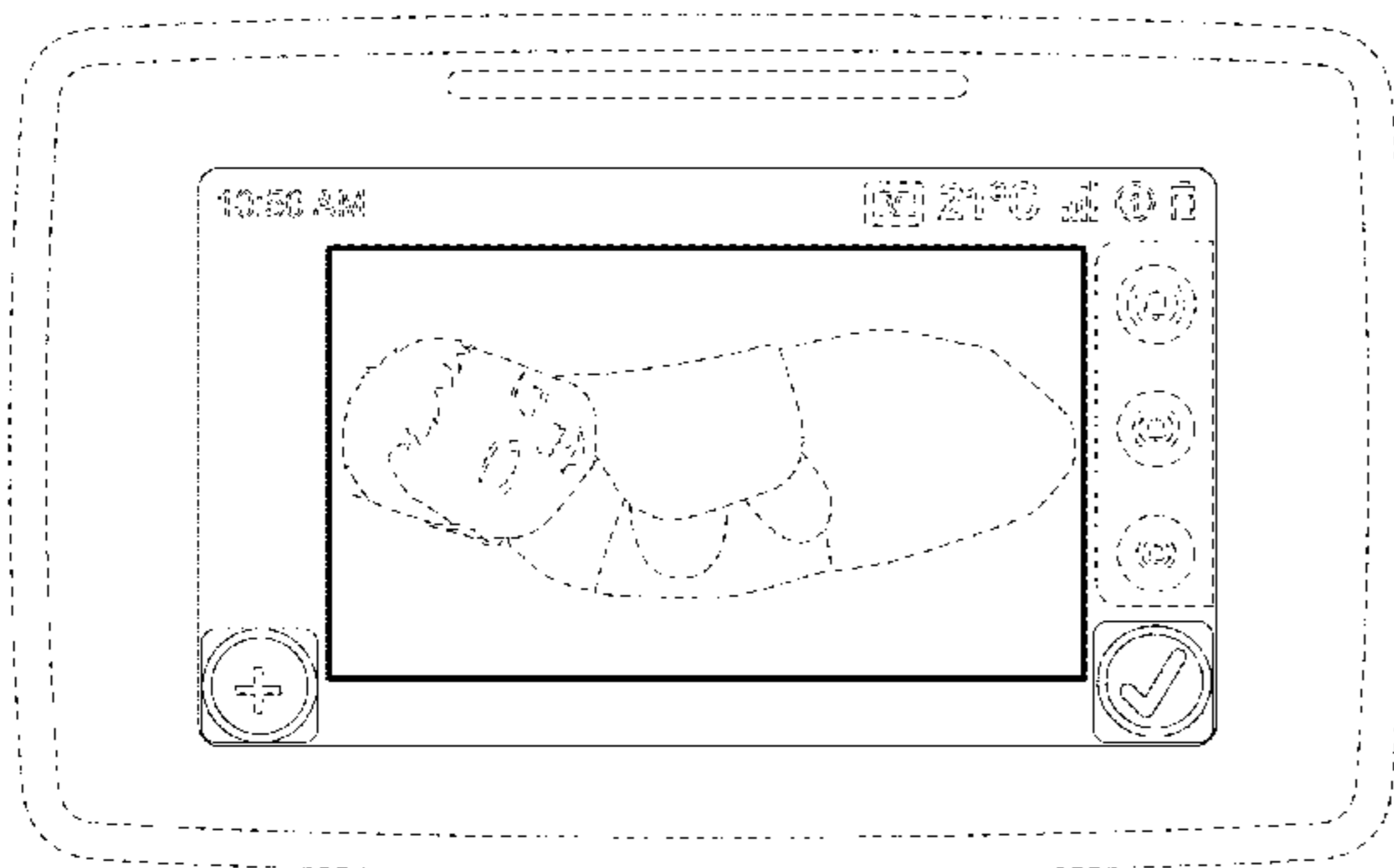


FIG. 11 is a front view of a fourth embodiment (with a triangular feature) of the second image of a display screen or portion thereof with transitional graphical user interface showing our new design.

FIG. 12 is a front view of a fourth embodiment (with a triangular feature) of the third image of a display screen or portion thereof with transitional graphical user interface showing our new design.

FIG. 13 is a front view of a fifth embodiment (with a diamond feature) of the first image of a display screen or portion thereof with transitional graphical user interface showing our new design.

FIG. 14 is a front view of a fifth embodiment (with a diamond feature) of the second image of a display screen or portion thereof with transitional graphical user interface showing our new design; and,

FIG. 15 is a front view of a fifth embodiment (with a diamond feature) of the third image of a display screen or portion thereof with transitional graphical user interface showing our new design.

The outer two broken lines representing a display screen or portion thereof and the remaining broken lines of the graphical user interface form no part of the claimed design.

The appearance of the transitional image sequentially transitions between the images shown in FIGS. 1-3, FIGS. 4-6,

FIGS. 7-9, FIGS. 10-12, and FIGS. 13-15. The process or period in which one image transitions to another forms no part of the claimed design.

1 Claim, 15 Drawing Sheets

(58) **Field of Classification Search**

CPC G06T 13/00; G06T 13/80; G06F 3/04845
See application file for complete search history.

(56)

References Cited

U.S. PATENT DOCUMENTS

D777,183	S	*	1/2017	Chevrier	D14/486
D795,294	S	*	8/2017	Faulkner	D14/489
D813,883	S	*	3/2018	Amin	D14/485
D835,127	S	*	12/2018	Saleh	D14/485
D835,648	S	*	12/2018	Begin	D14/486
2009/0172578	A1	*	7/2009	Ueda	H04N 1/00408 715/766
2013/0069893	A1	*	3/2013	Brinda	G06F 3/0488 345/173

* cited by examiner

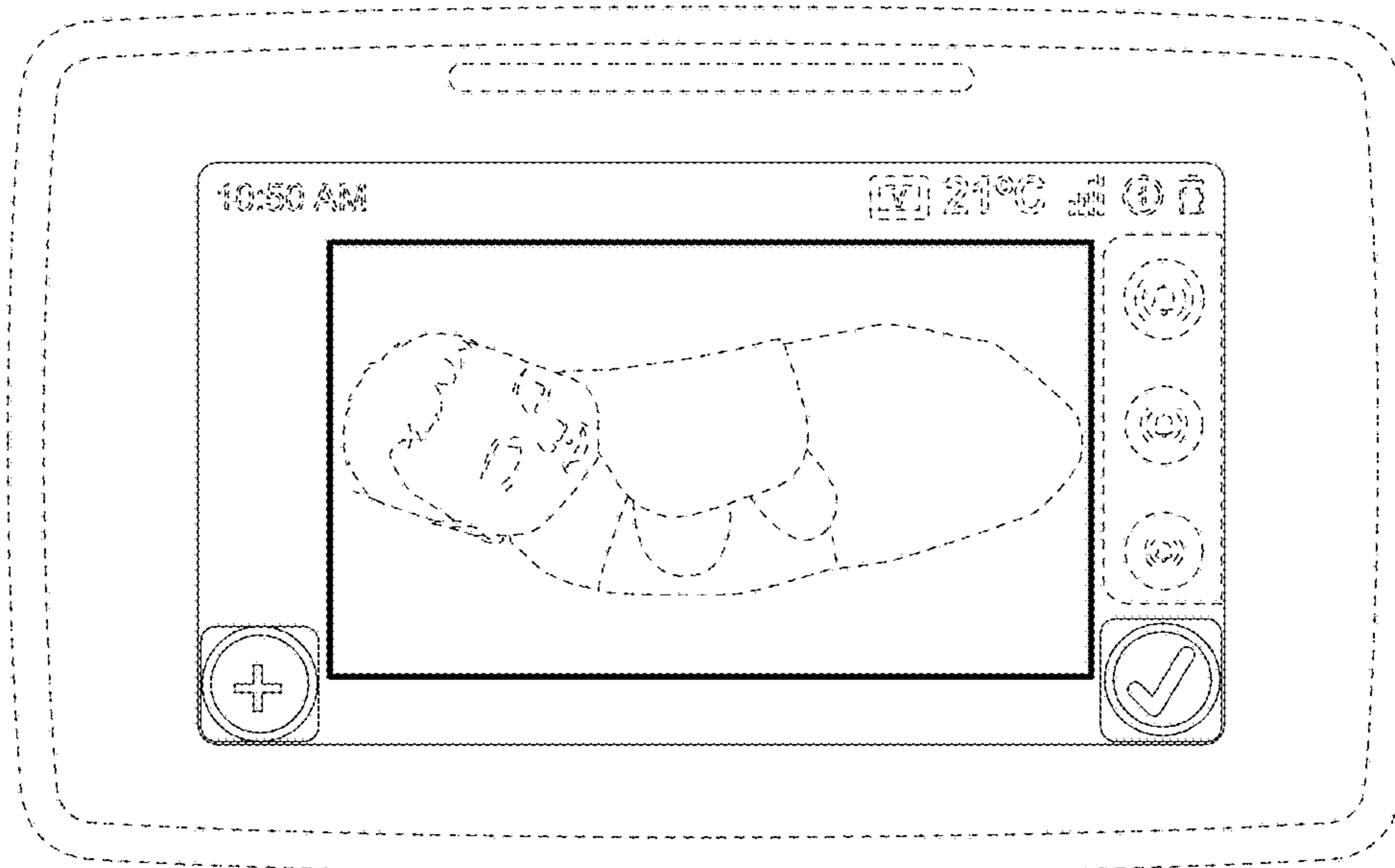


FIG. 1

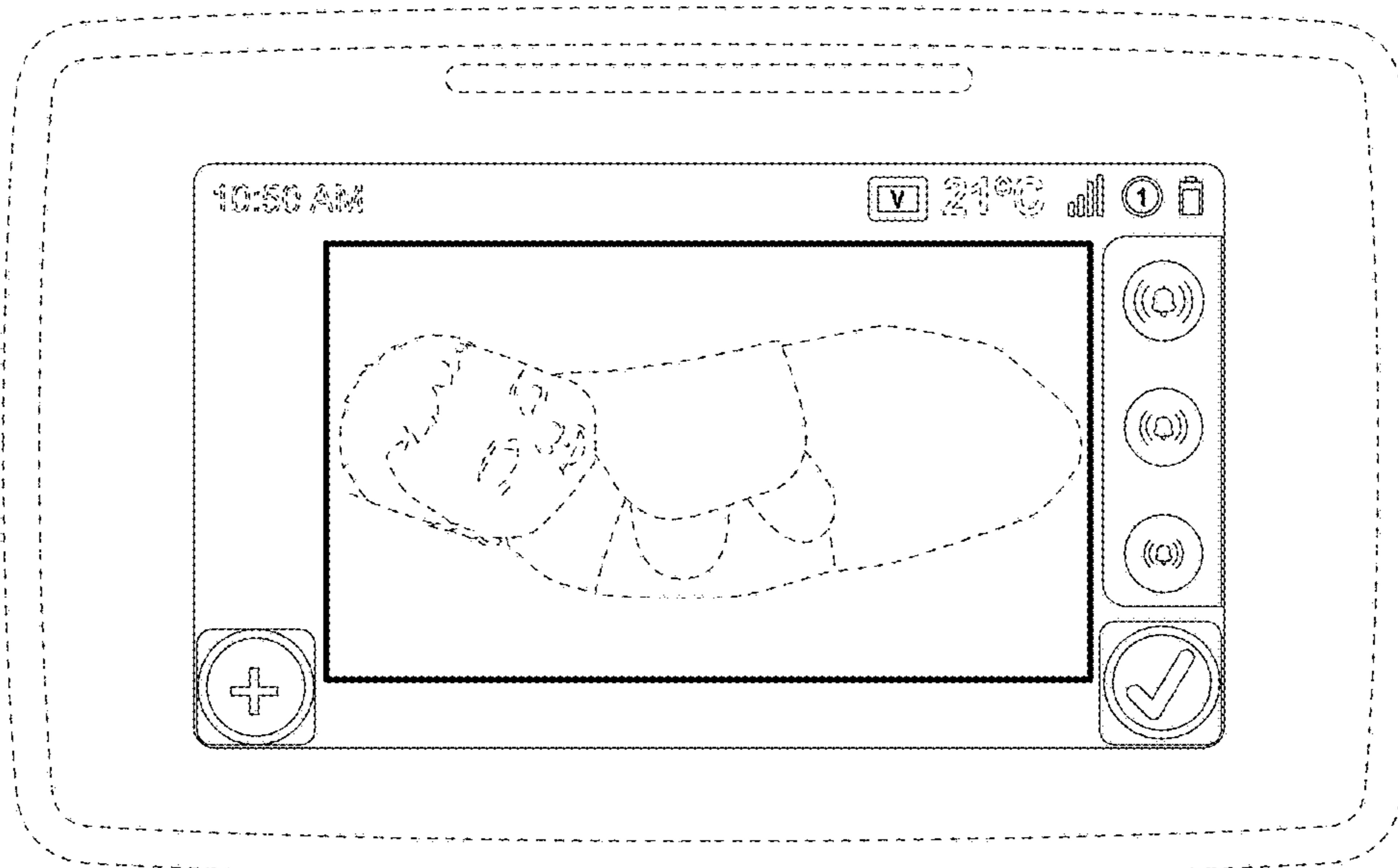


FIG. 2

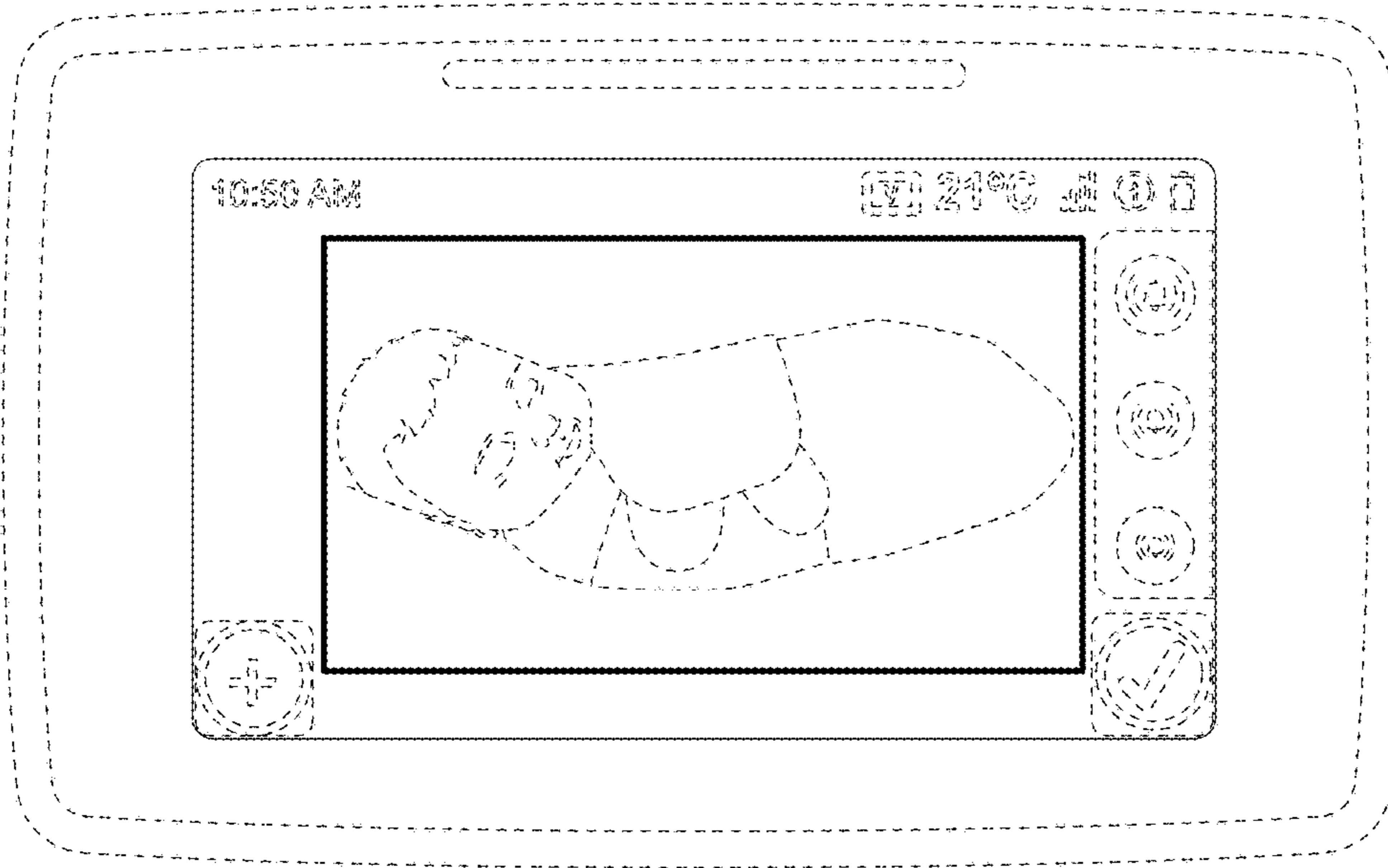


FIG. 3

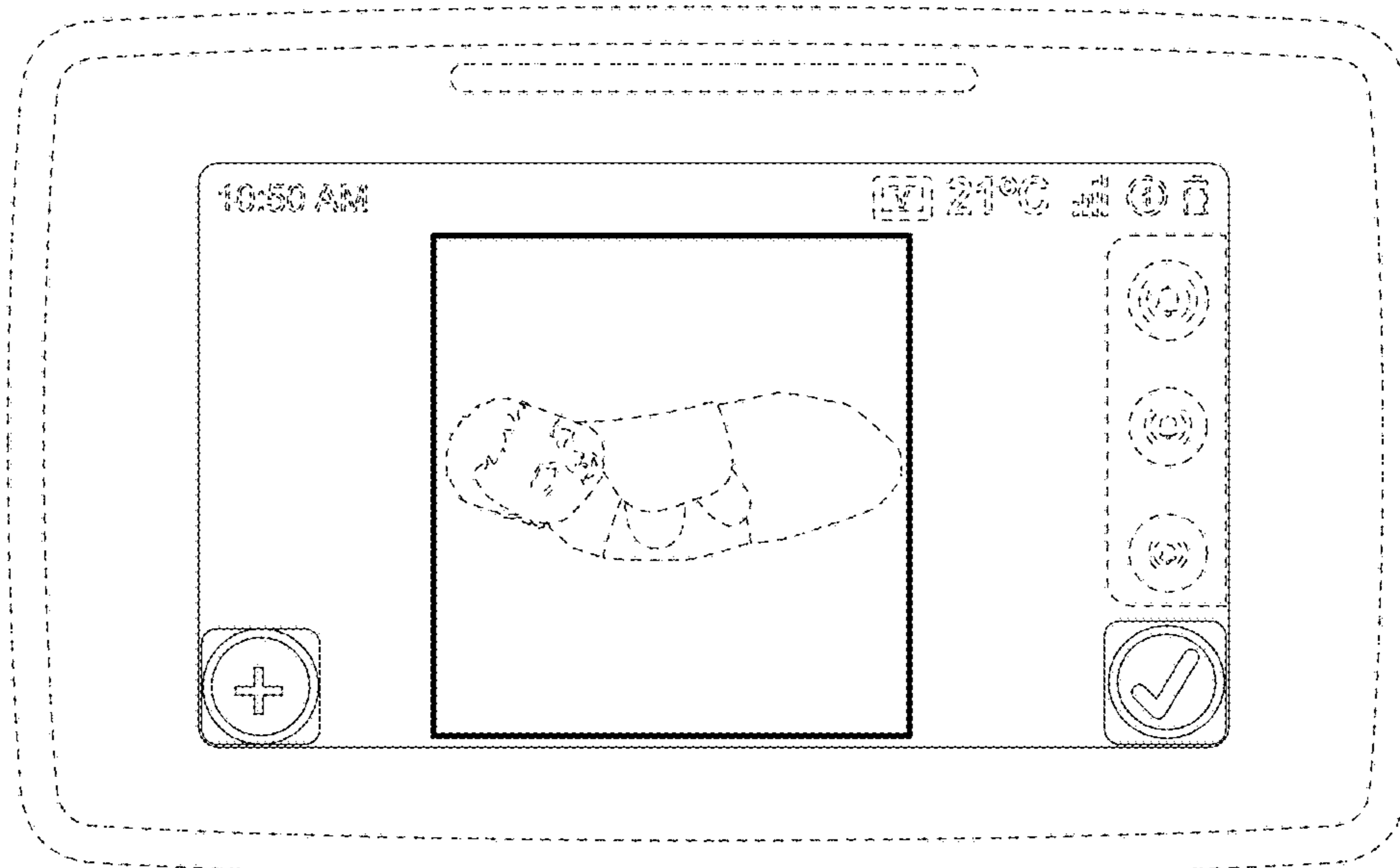


FIG. 4

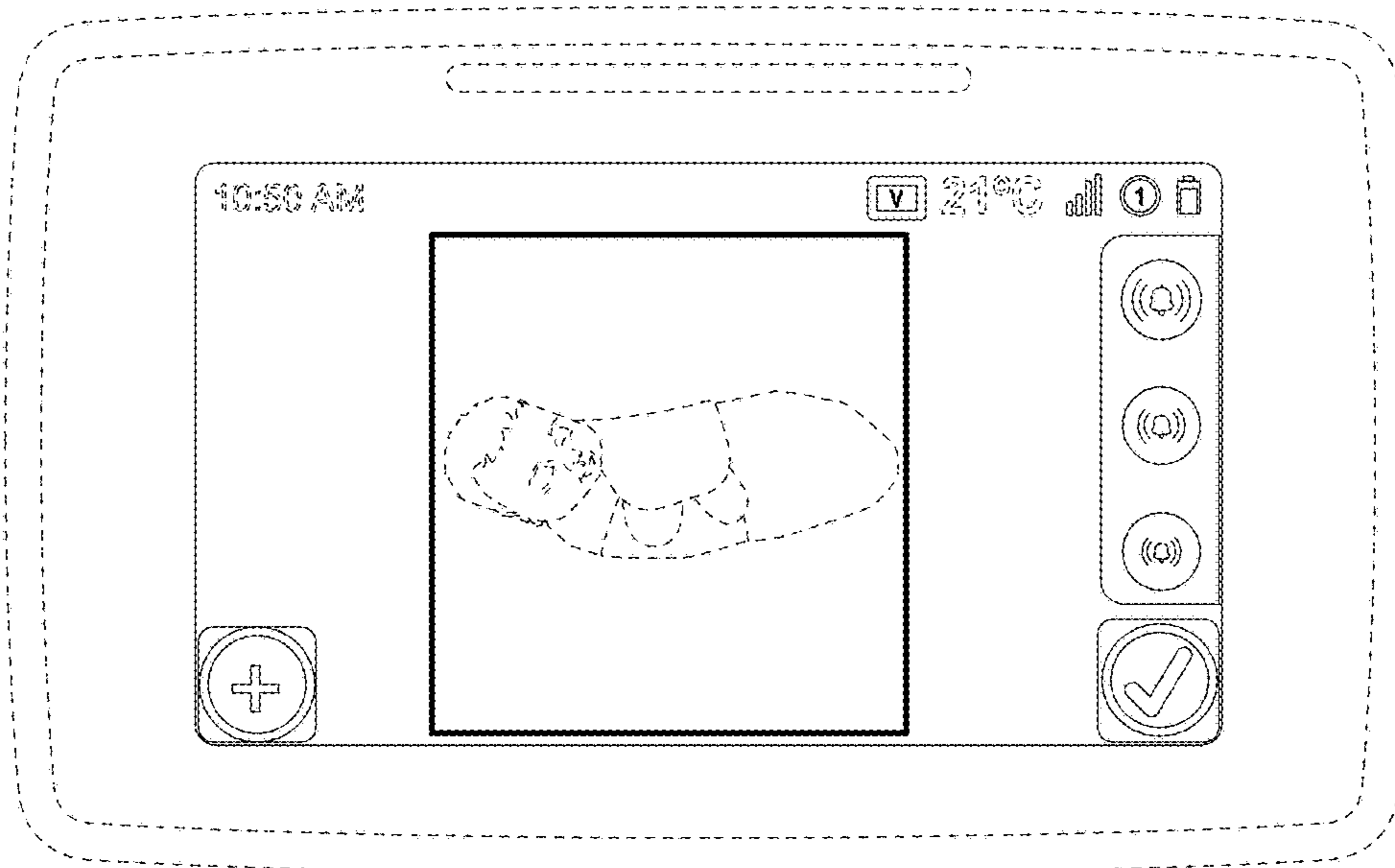


FIG. 5

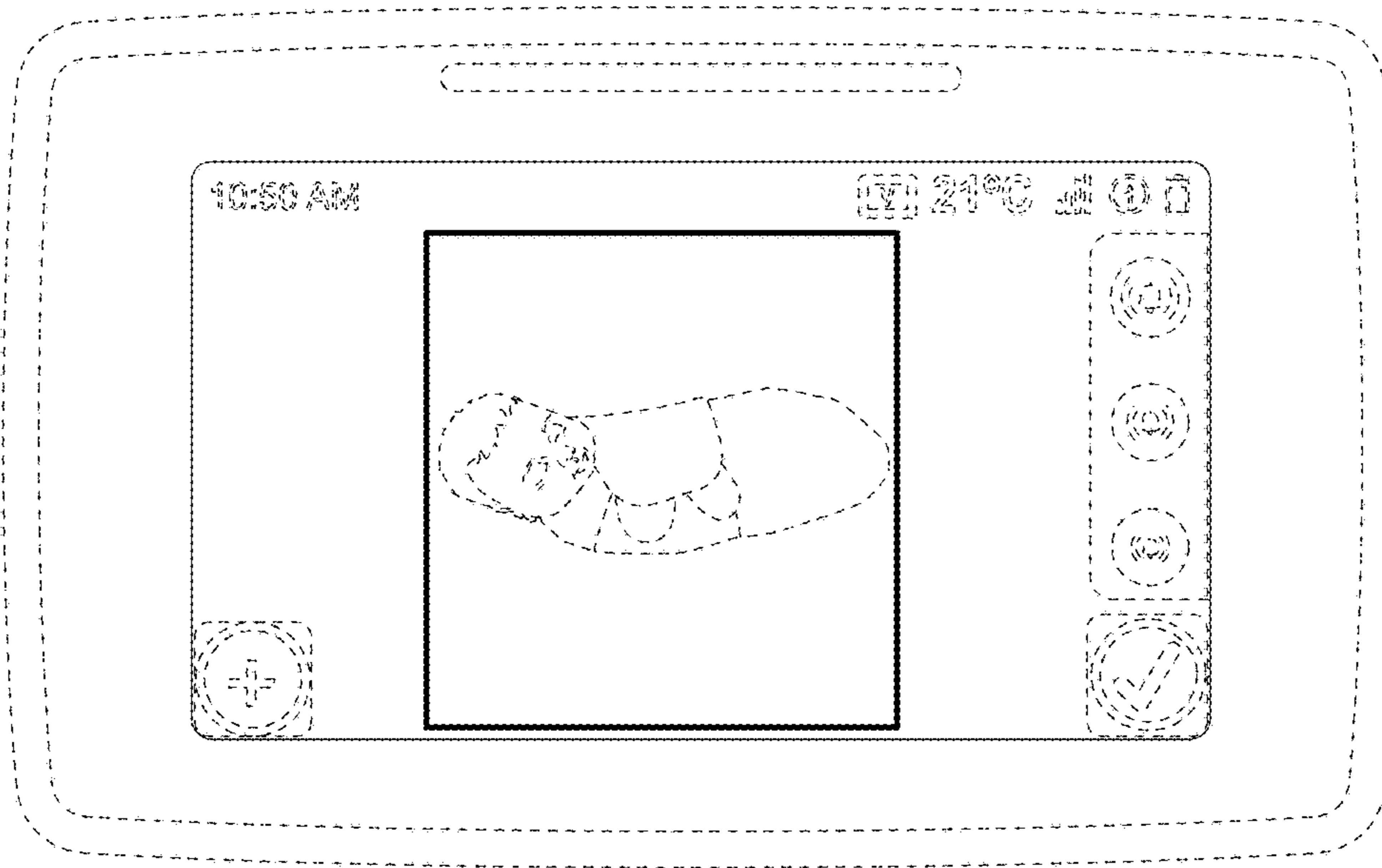


FIG. 6

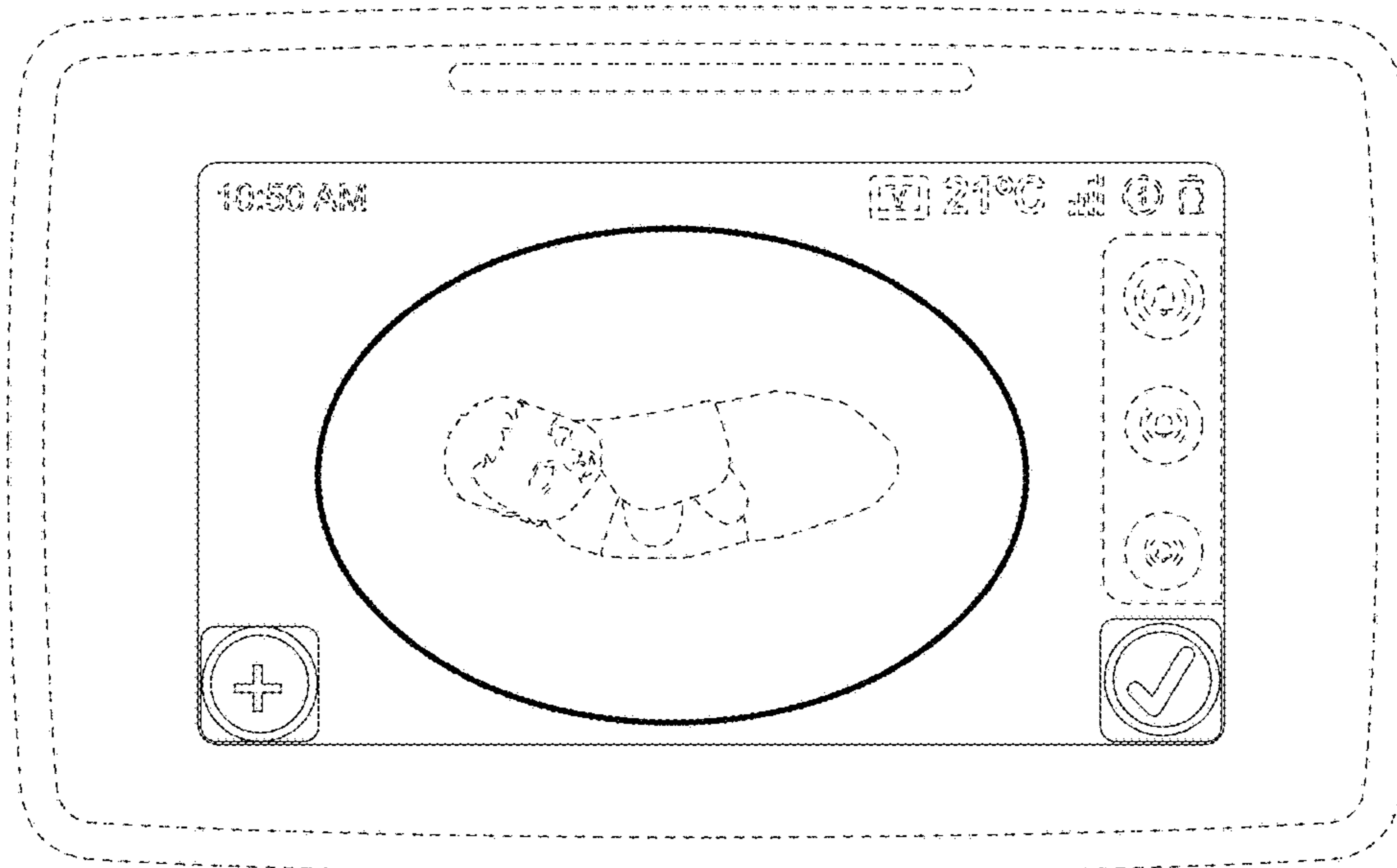


FIG. 7

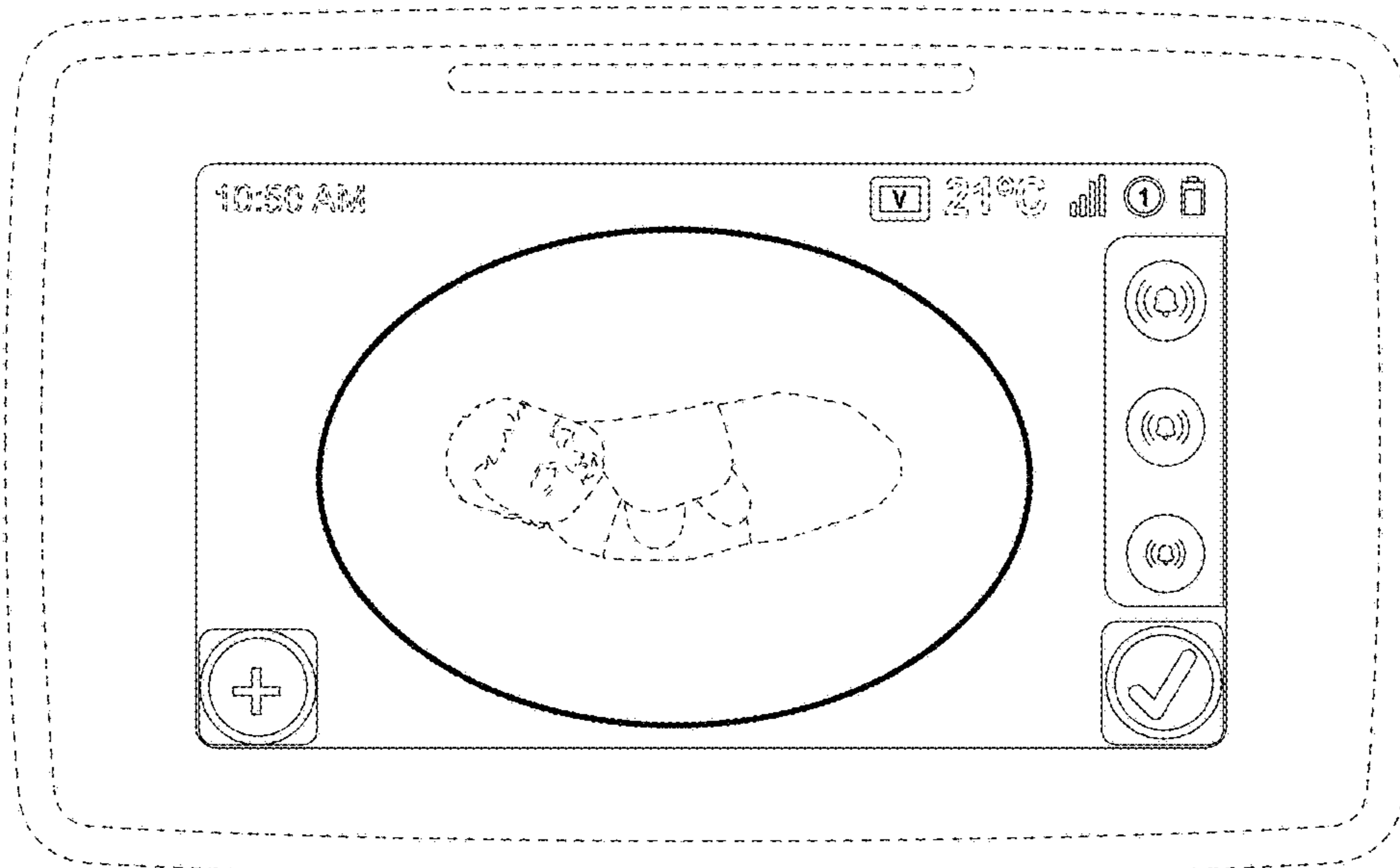


FIG. 8

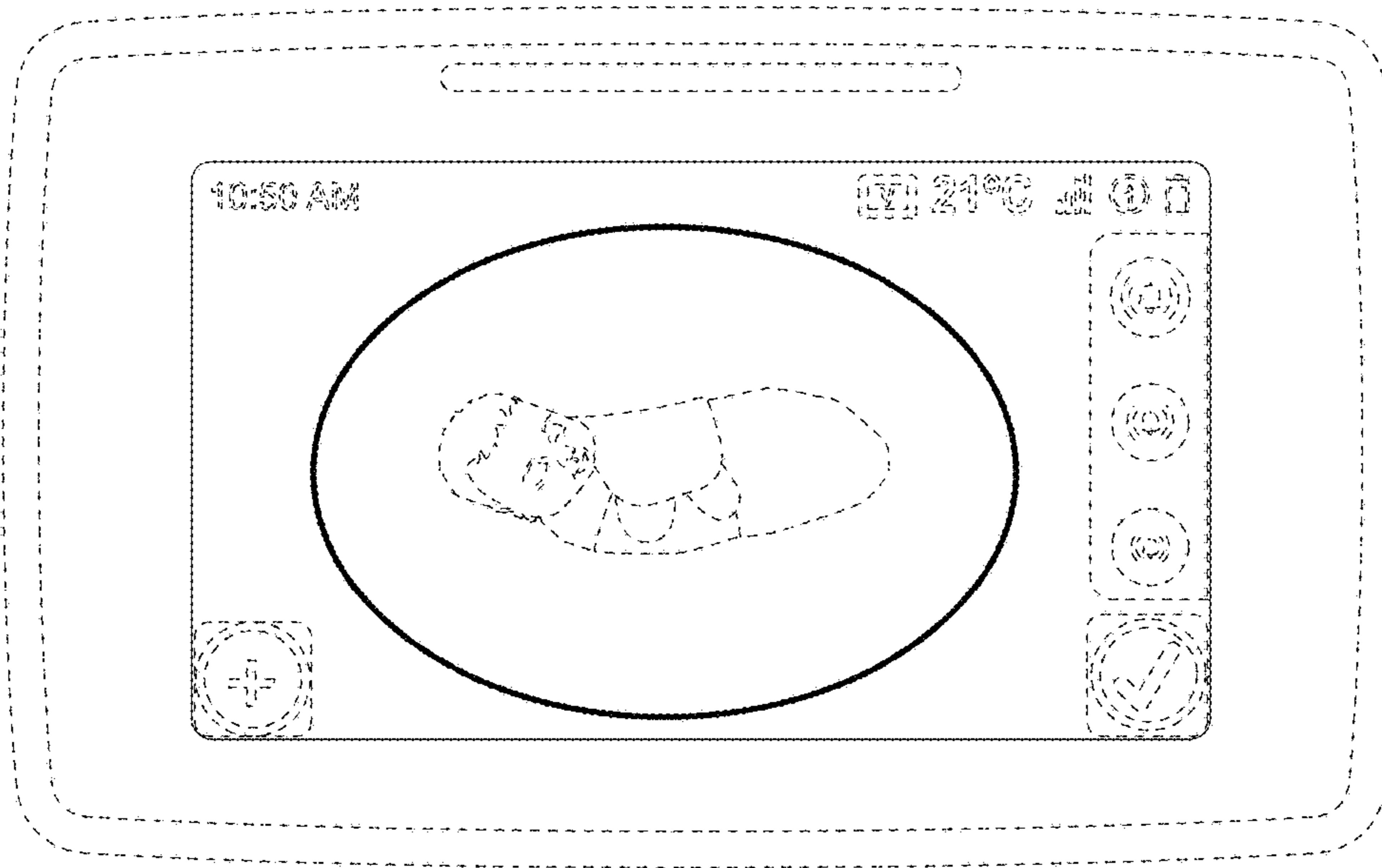


FIG. 9

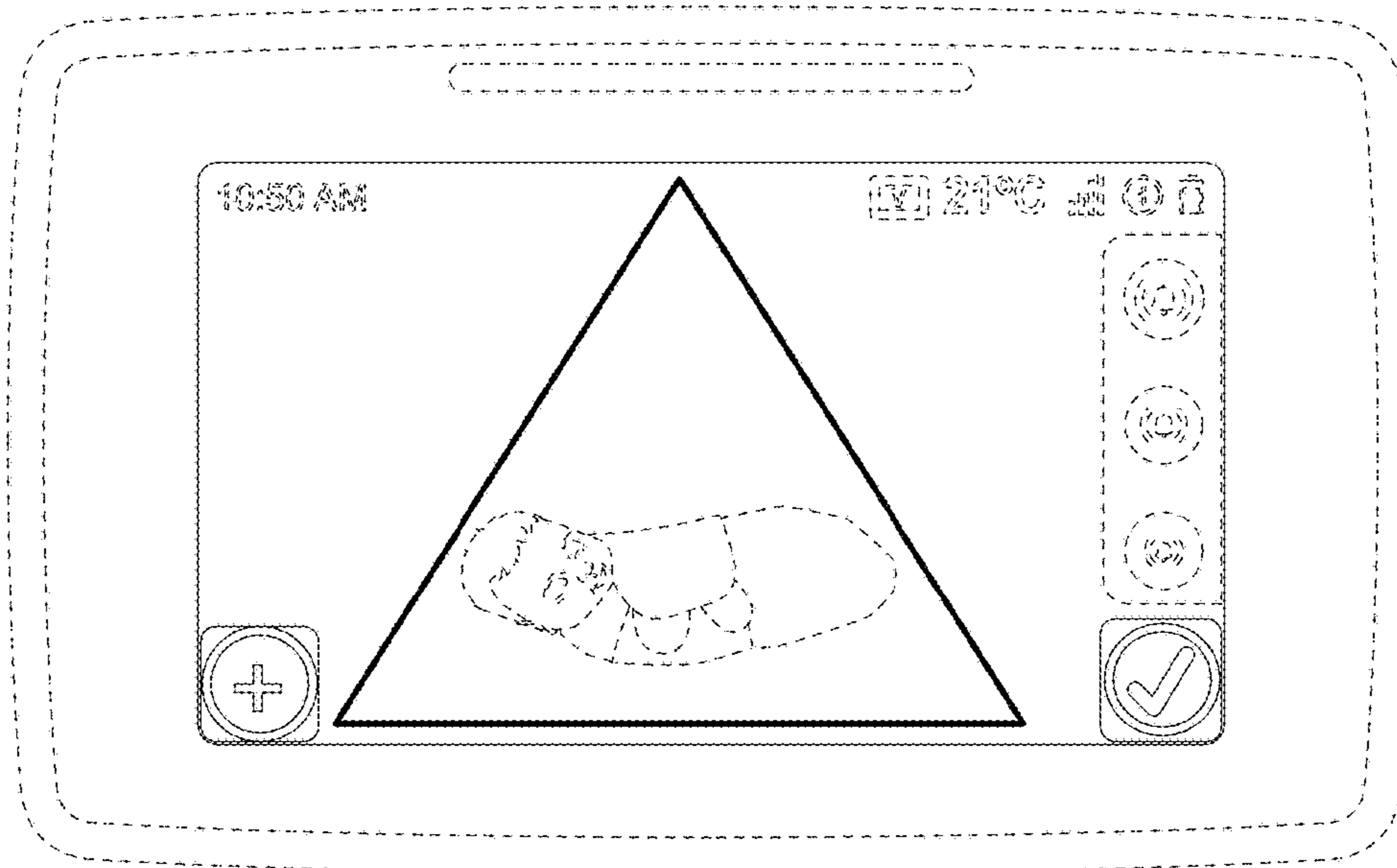


FIG. 10

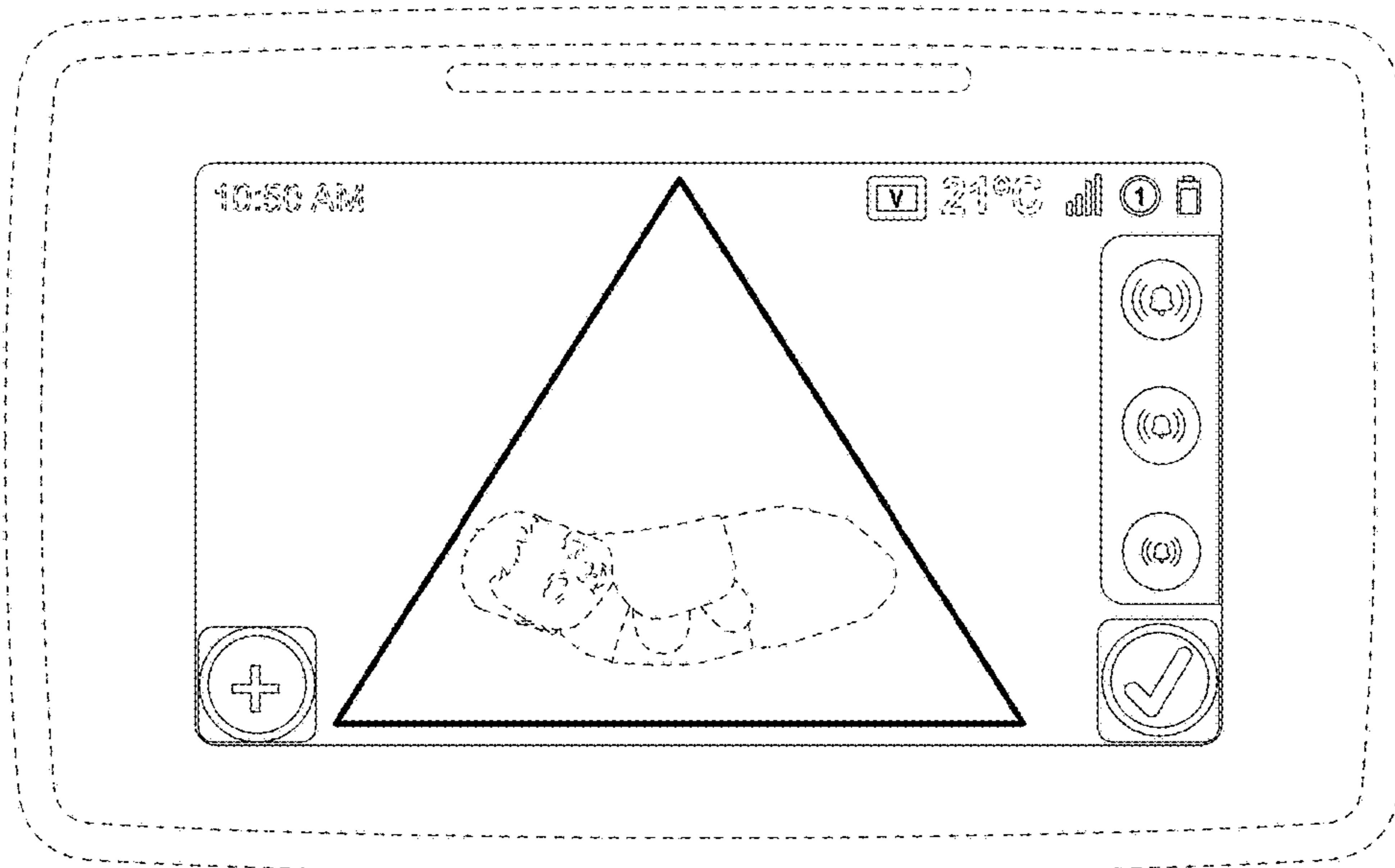


FIG. 11

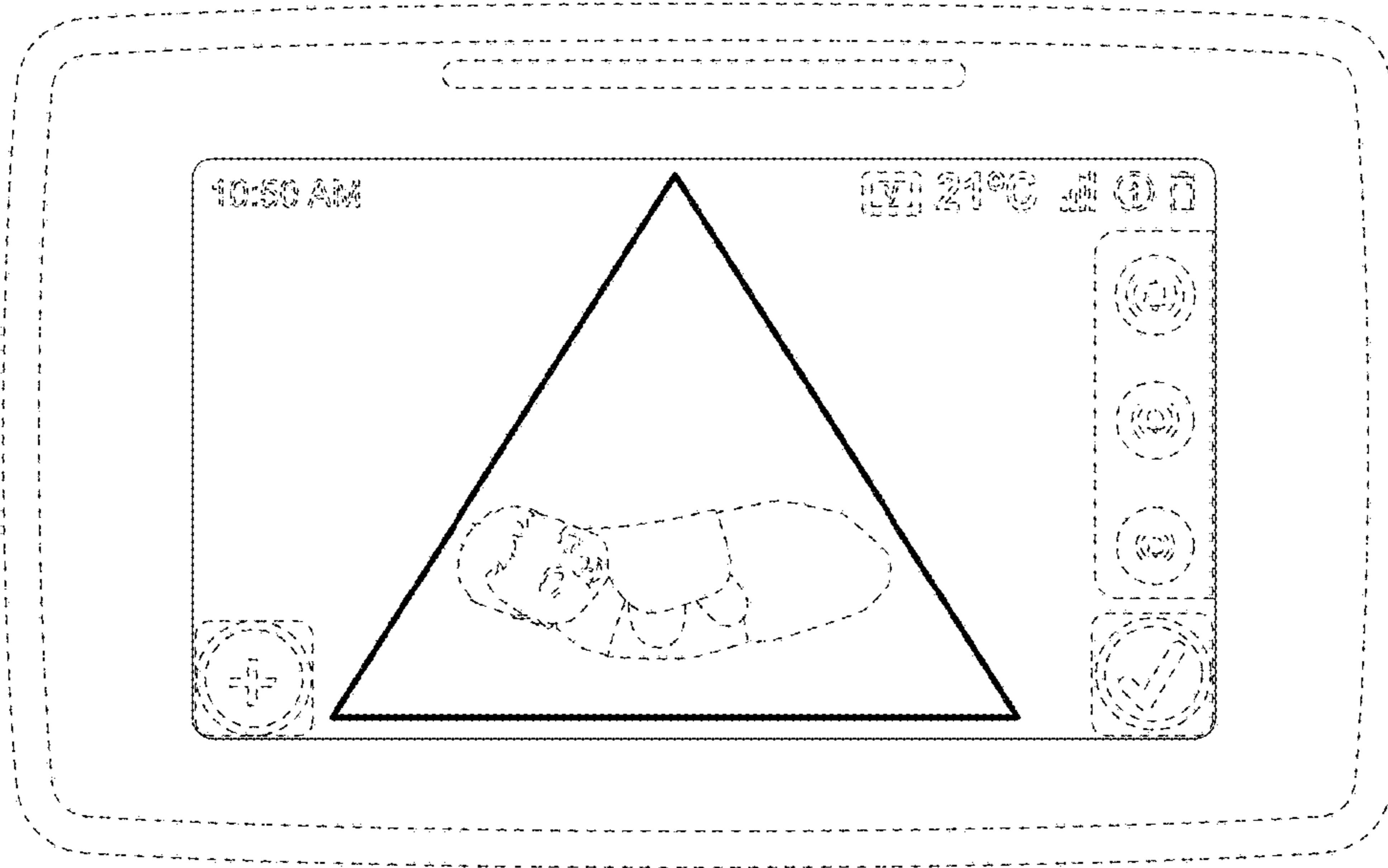


FIG. 12

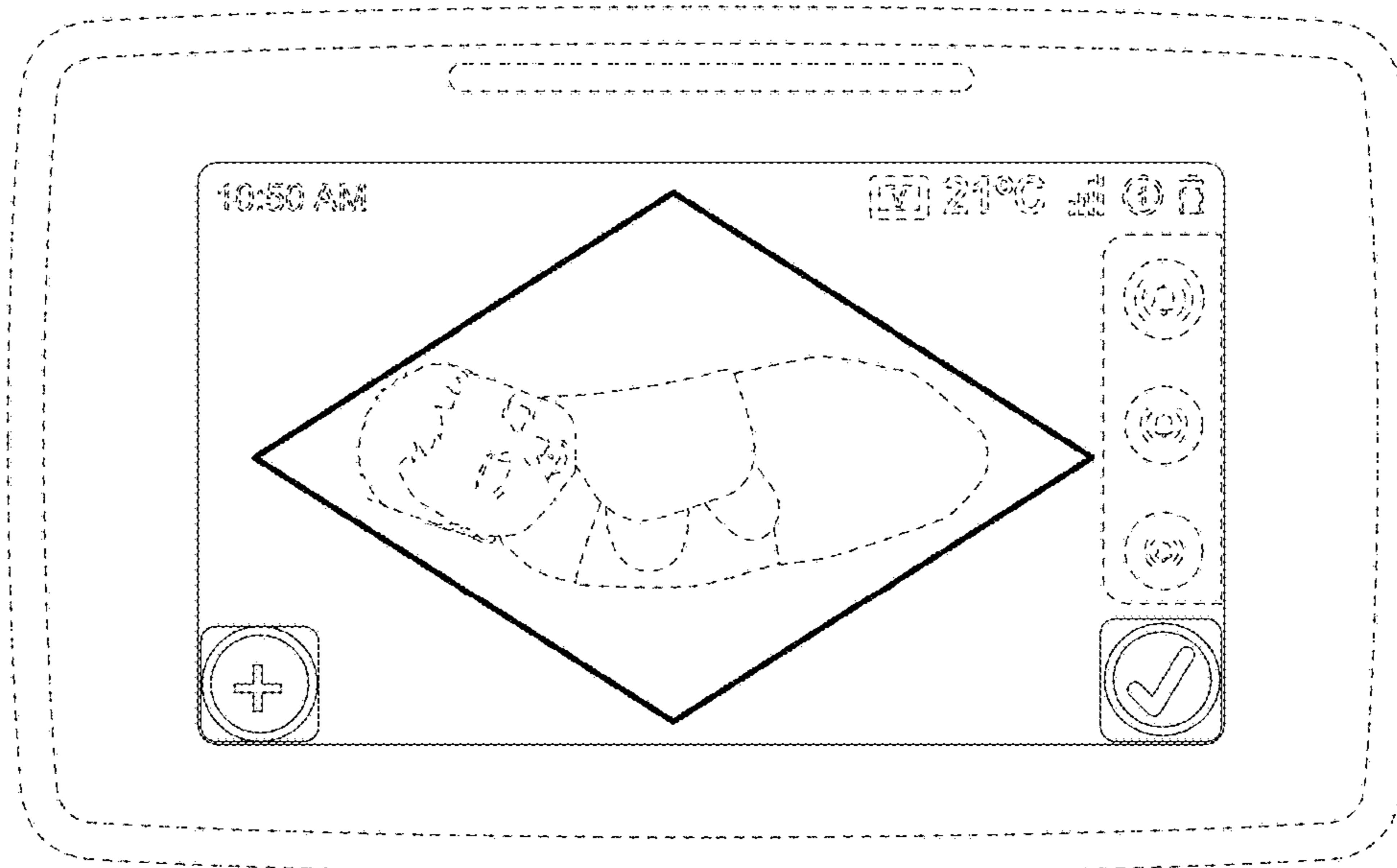


FIG. 13

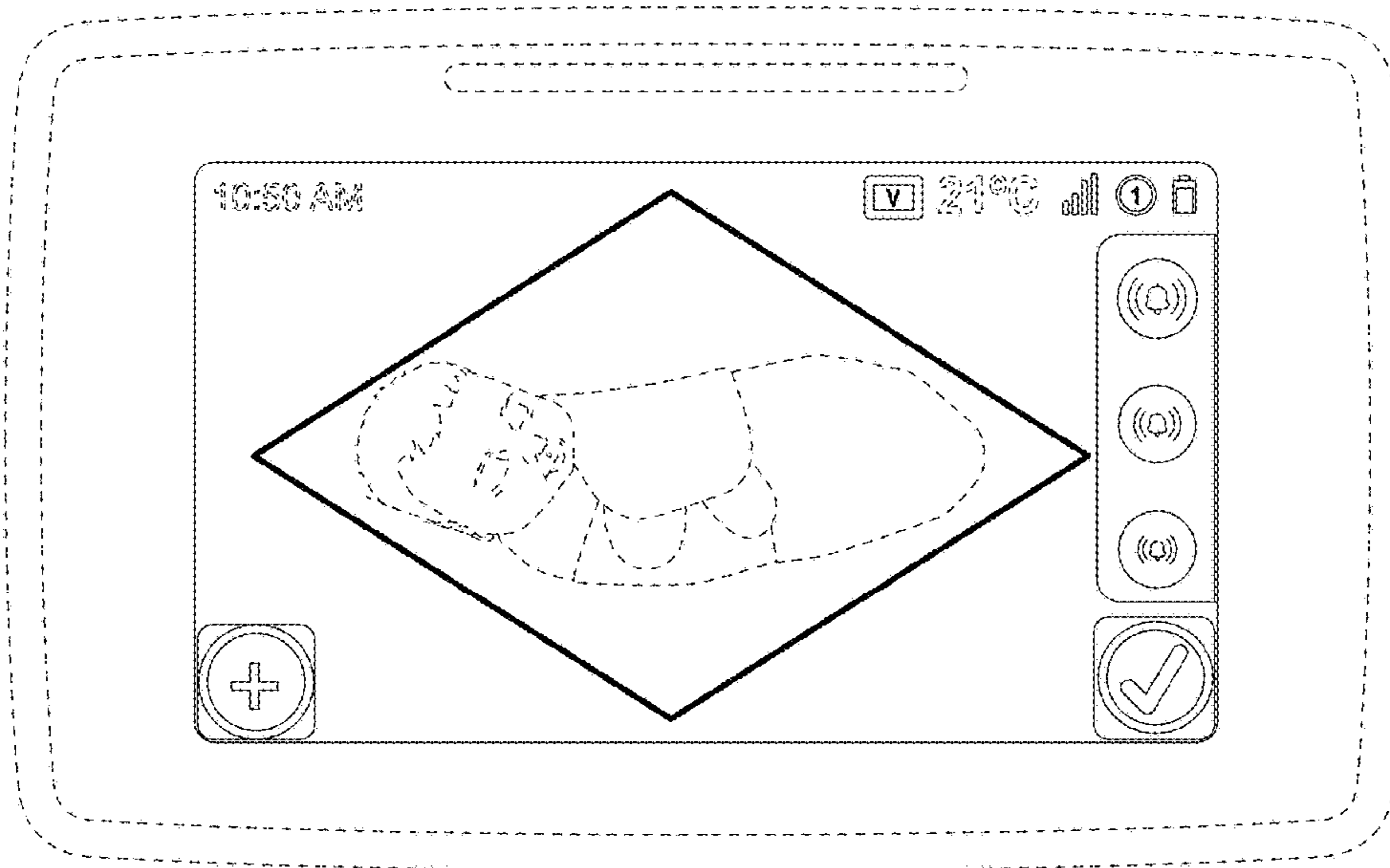


FIG. 14

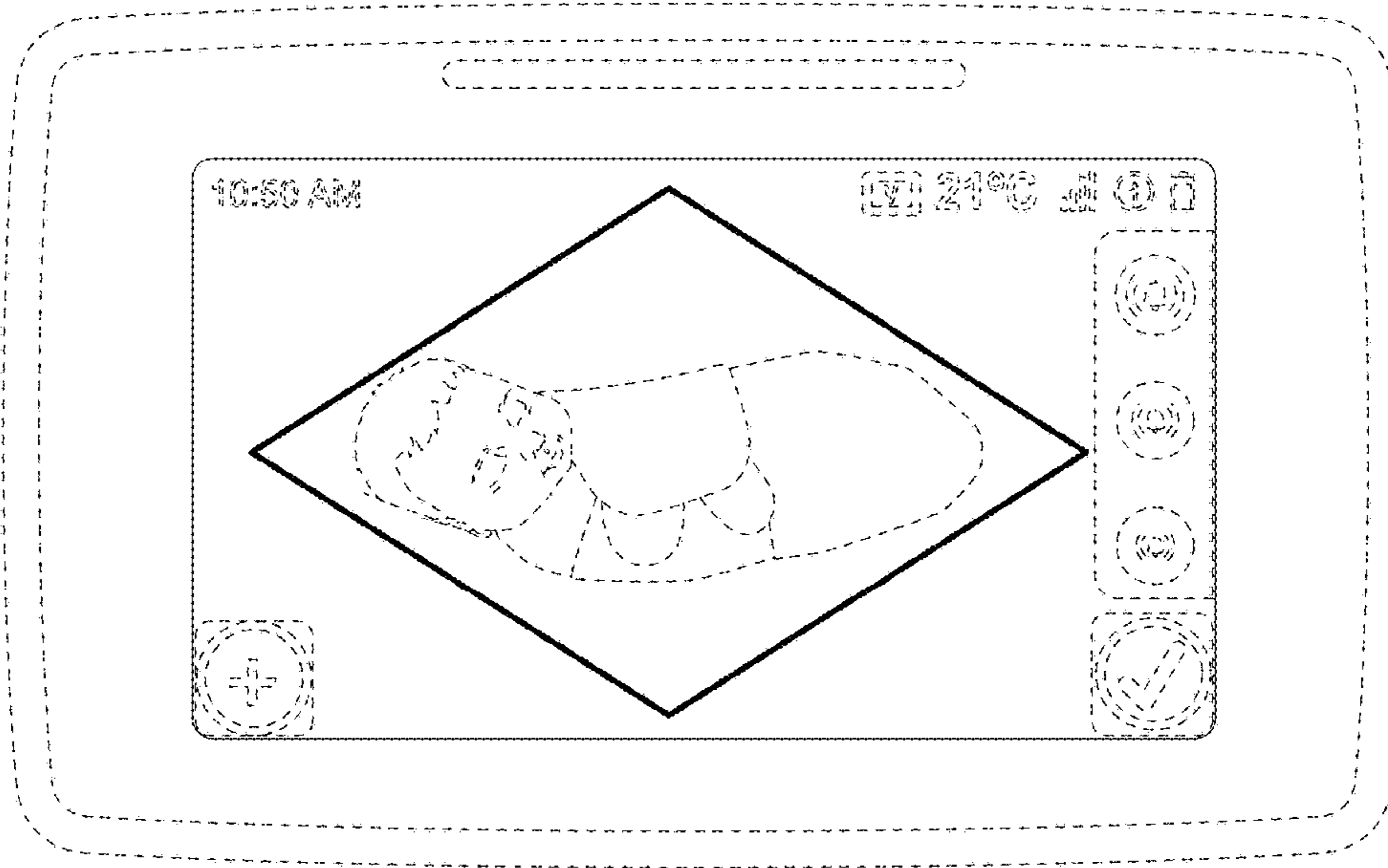


FIG. 15