



US00D861009S

(12) **United States Design Patent**
Lien et al.

(10) **Patent No.:** **US D861,009 S**
(45) **Date of Patent:** **** Sep. 24, 2019**

(54) **USB FLASH DRIVE**

(71) Applicants: **PHISON ELECTRONICS CORP.**,
Miaoli (TW); **Gettop opto technology**
co., ltd, New Taipei (TW)

(72) Inventors: **Yuan-Sheng Lien**, Hsinchu (TW);
Hung-Chin Lee, New Taipei (TW);
Tsung-Ping Yu, New Taipei (TW);
Hsiao-Wen Fan, Keelung (TW);
Ming-Hsien Lee, Yunlin County (TW);
Tzu-Jen Wang, New Taipei (TW)

(73) Assignees: **PHISON ELECTRONICS CORP.**,
Miaoli (TW); **Gettop opto technology**
co., ltd, New Taipei (TW)

(**) Term: **15 Years**

(21) Appl. No.: **29/583,908**

(22) Filed: **Nov. 9, 2016**

(30) **Foreign Application Priority Data**

Oct. 4, 2016 (TW) 105305977

(51) **LOC (12) Cl.** **14-03**

(52) **U.S. Cl.**
USPC **D14/480.7**

(58) **Field of Classification Search**
USPC D14/480.1-480.7, 435.1, 411, 433, 436,
D14/484.1, 137, 155, 203.1-203.8, 240,
D14/242; D13/133, 154
CPC H05K 5/0278; G06K 19/07732
See application file for complete search history.

(56) **References Cited**

U.S. PATENT DOCUMENTS

D281,342 S * 11/1985 Gompes D21/589
D333,784 S * 3/1993 Goodman D3/302
D395,715 S * 6/1998 Queen D16/203
D410,038 S * 5/1999 Golad D21/373

D512,060 S * 11/2005 Wang D14/480.1
D516,560 S * 3/2006 Landau D14/480.2
D525,976 S * 8/2006 Landau D14/480.2
D536,700 S * 2/2007 Landau D14/480.5
D539,285 S * 3/2007 Landau D14/480.2
D552,054 S * 10/2007 Pena Angarita D14/496
D564,900 S * 3/2008 Green D9/504
D572,196 S * 7/2008 Rohlf D13/133
7,443,691 B1 * 10/2008 Davis H05K 5/0278
361/752
D592,217 S * 5/2009 Chen D14/480.2
D629,805 S * 12/2010 Nysen D13/147

(Continued)

OTHER PUBLICATIONS

12 Inch plastic globe, viewed on Apr. 20, 2018, available from Dec. 29, 2014 at https://www.superiorlighting.com/12_Inch_Plastic_Globe_Neckless_Opening_Clear_Acryl_p/02024ca-12nl.htm?gclid=EA1aIQobChMIqq7agMDJ2gIVip-zCh2KNgn0EAQYAyABEgKc0PD_BwE.*

(Continued)

Primary Examiner — Angela J Lee

(74) *Attorney, Agent, or Firm* — JCIPRNET

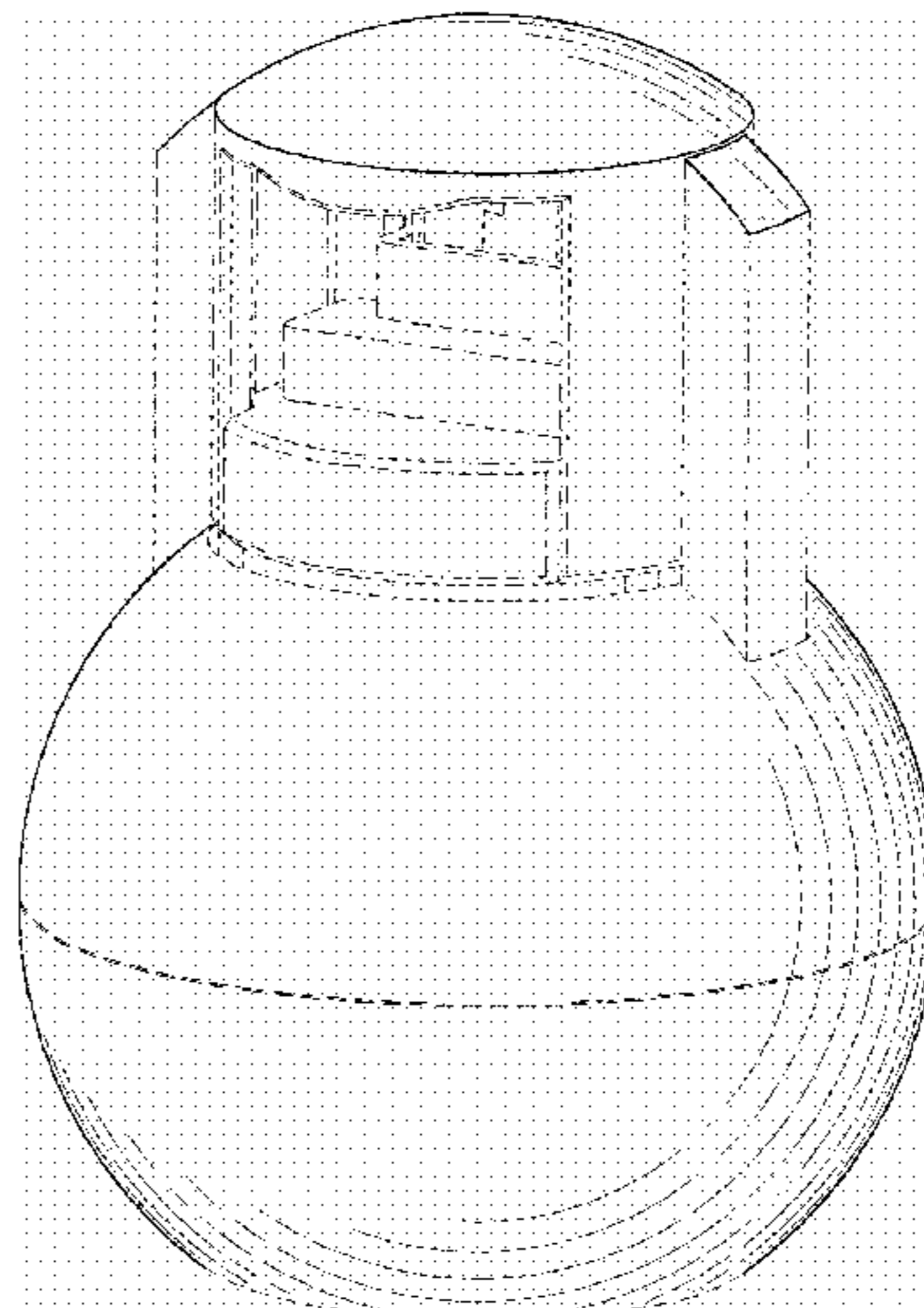
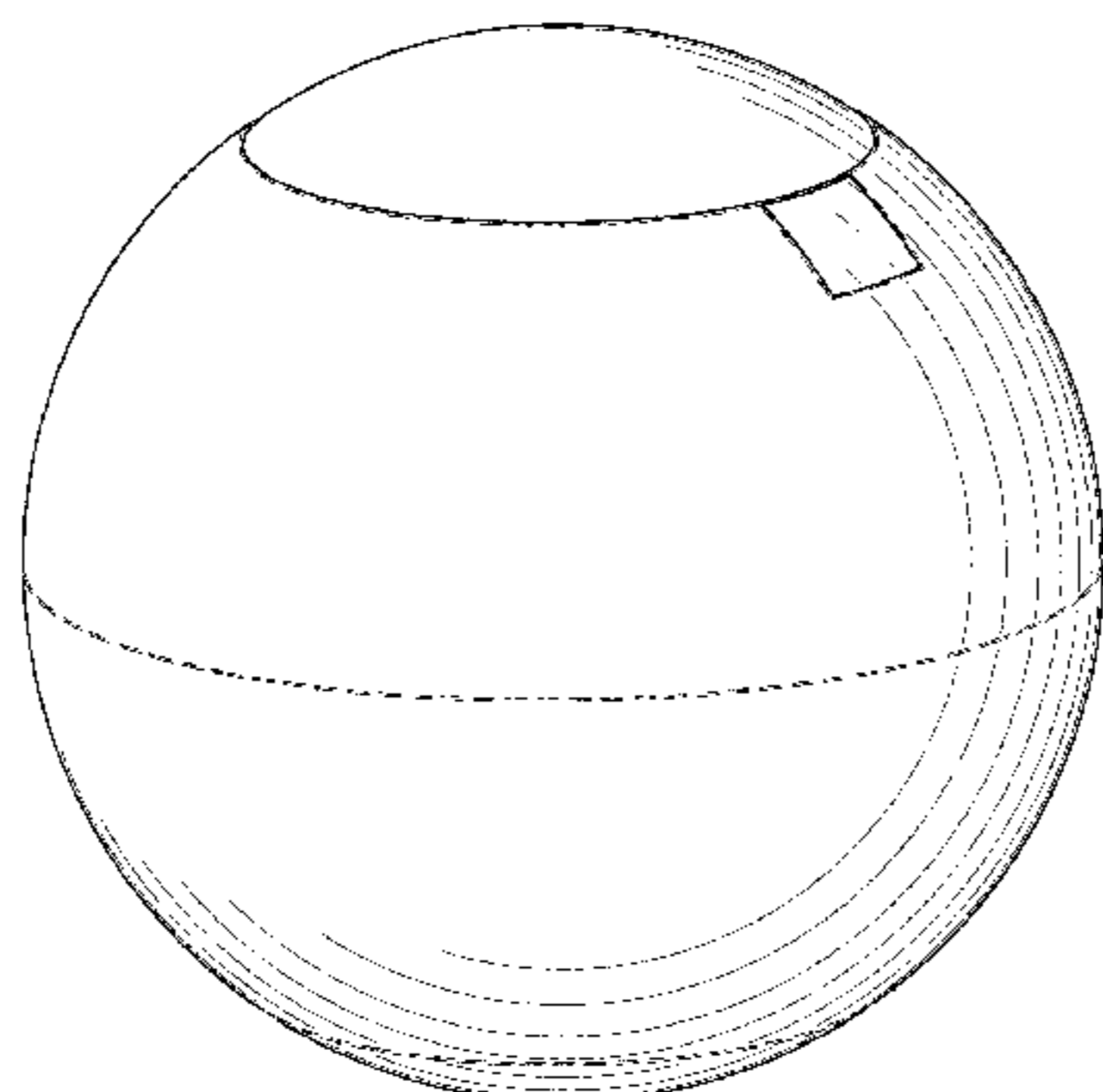
(57) **CLAIM**

The ornamental design for a USB flash drive, as shown and described.

DESCRIPTION

FIG. 1 is a perspective view of a USB flash drive showing our new design;
FIG. 2 is a front view thereof, and a rear view is the same as the front view;
FIG. 3 is a left side view thereof, and a right side view is the same as the left side view;
FIG. 4 is a top view thereof;
FIG. 5 is a bottom view thereof; and,
FIGS. 6-8 are in different using modes thereof.
The broken line portions of the USB flash drive in FIGS. 1-8 form no part of the claimed design.

1 Claim, 8 Drawing Sheets



(56)

References Cited

U.S. PATENT DOCUMENTS

D638,001 S *	5/2011	Nakhjiri	D14/242
D657,366 S *	4/2012	Leung	D14/480.2
D687,009 S *	7/2013	Song	D14/155
D687,837 S *	8/2013	Andre	D14/480.2
D698,280 S *	1/2014	Semsey	D11/202
D712,829 S *	9/2014	Huang	D13/110
D719,170 S *	12/2014	Gao	D14/480.1
D720,337 S *	12/2014	Liu	D14/242
D781,274 S *	3/2017	Kim	D14/242
2011/0182014 A1 *	7/2011	Zhang	H01R 13/60 361/679.4

OTHER PUBLICATIONS

Technews, "The world's smallest ball camera, LUNA ° allows you to master a 360 degree panoramic view," with English machine translation, Dec. 10, 2015, Available at: <https://technews.tw/2015/12/10/luna/>.

"Office Action of Taiwan Counterpart Application", dated Jul. 13, 2017, p. 1-p. 3.

* cited by examiner

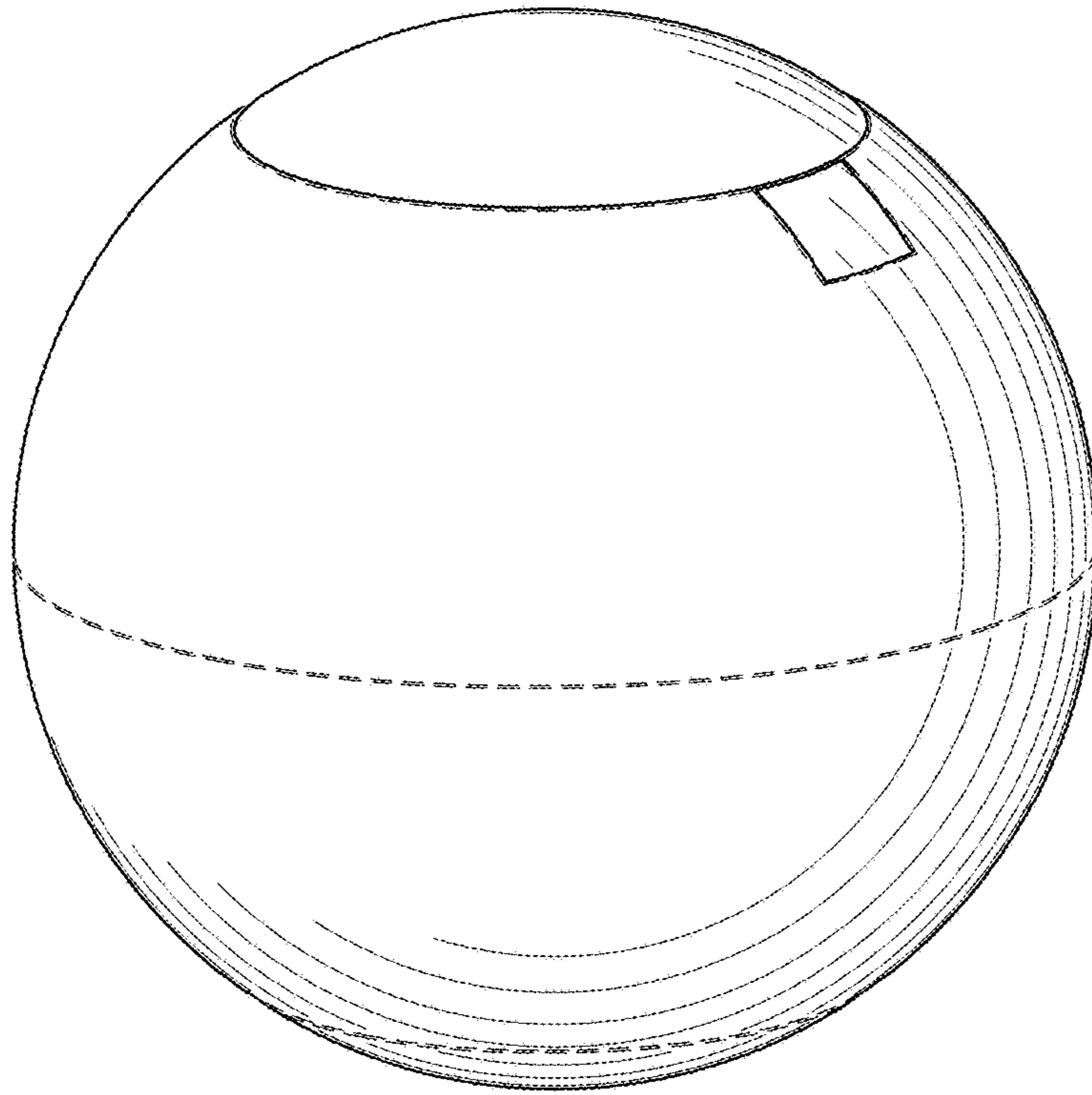


FIG. 1

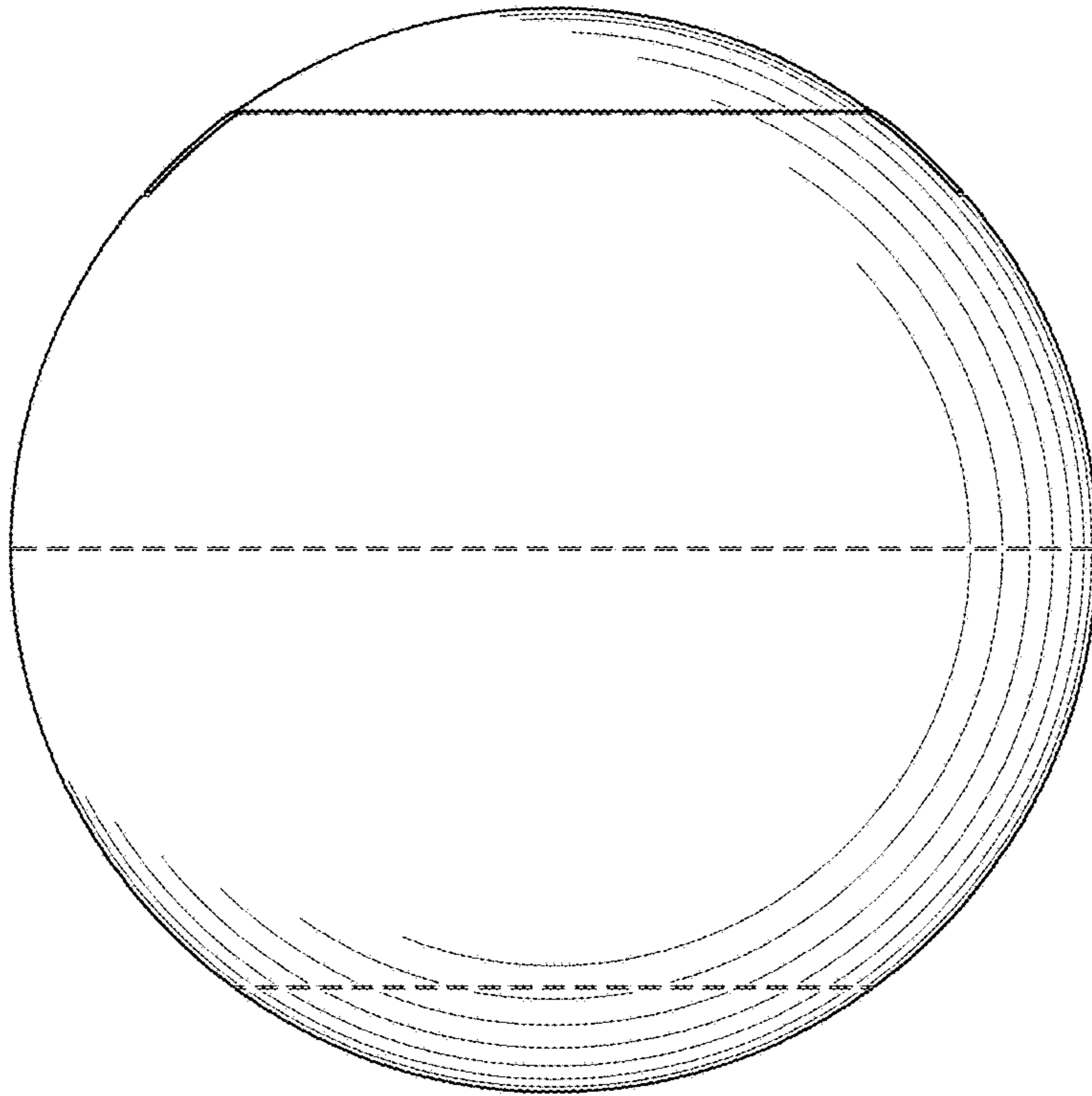


FIG. 2

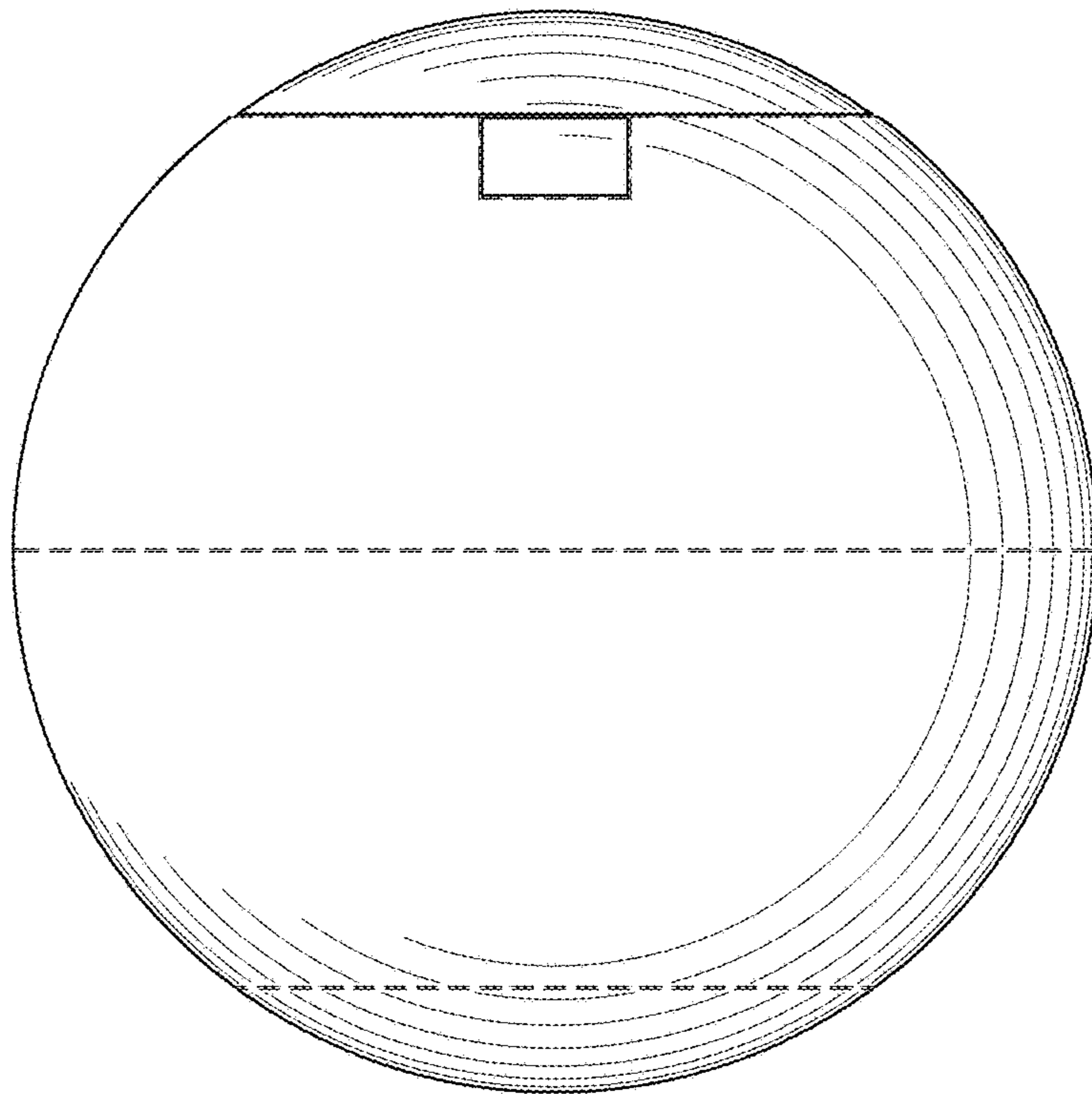


FIG. 3

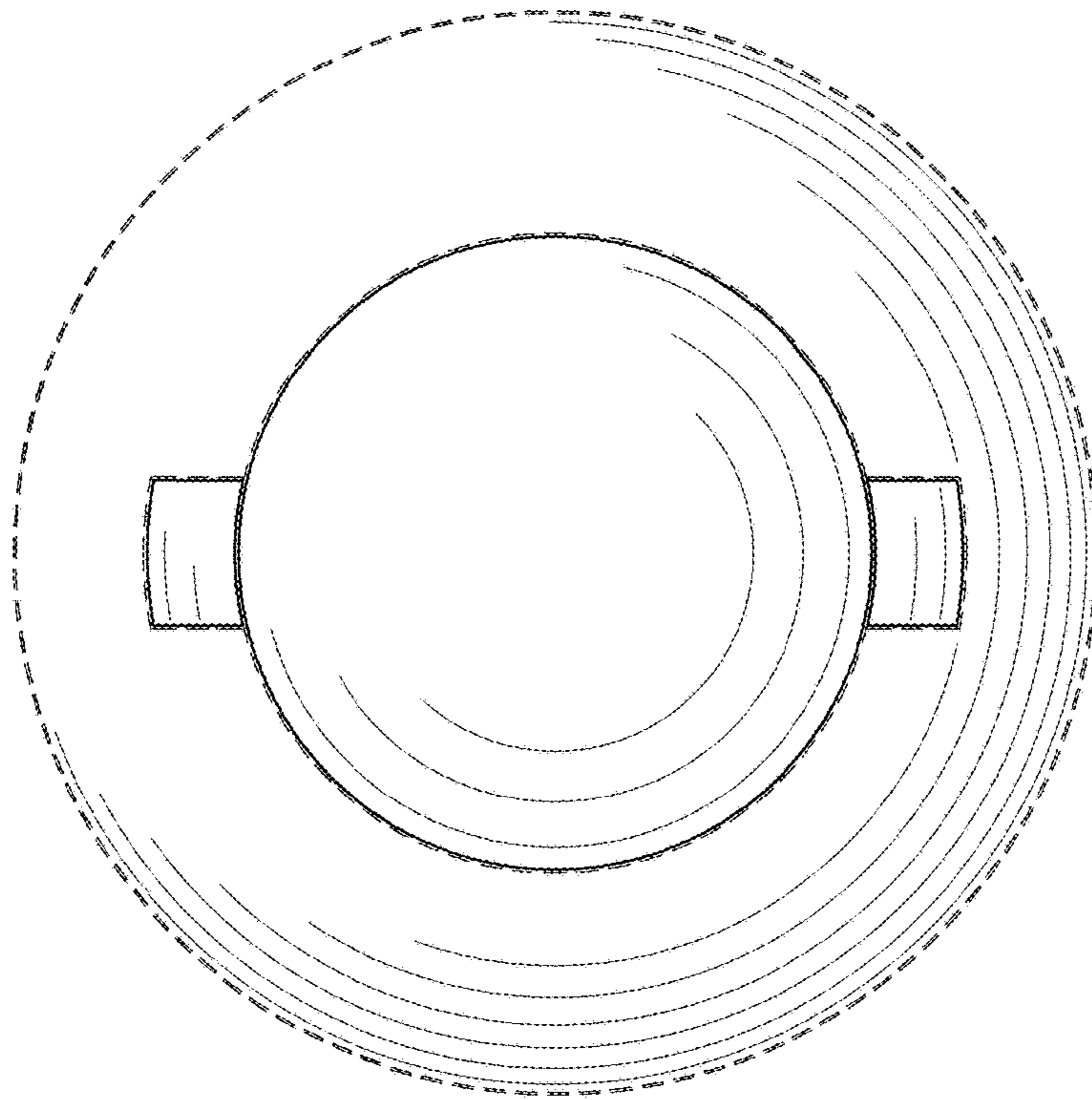


FIG. 4

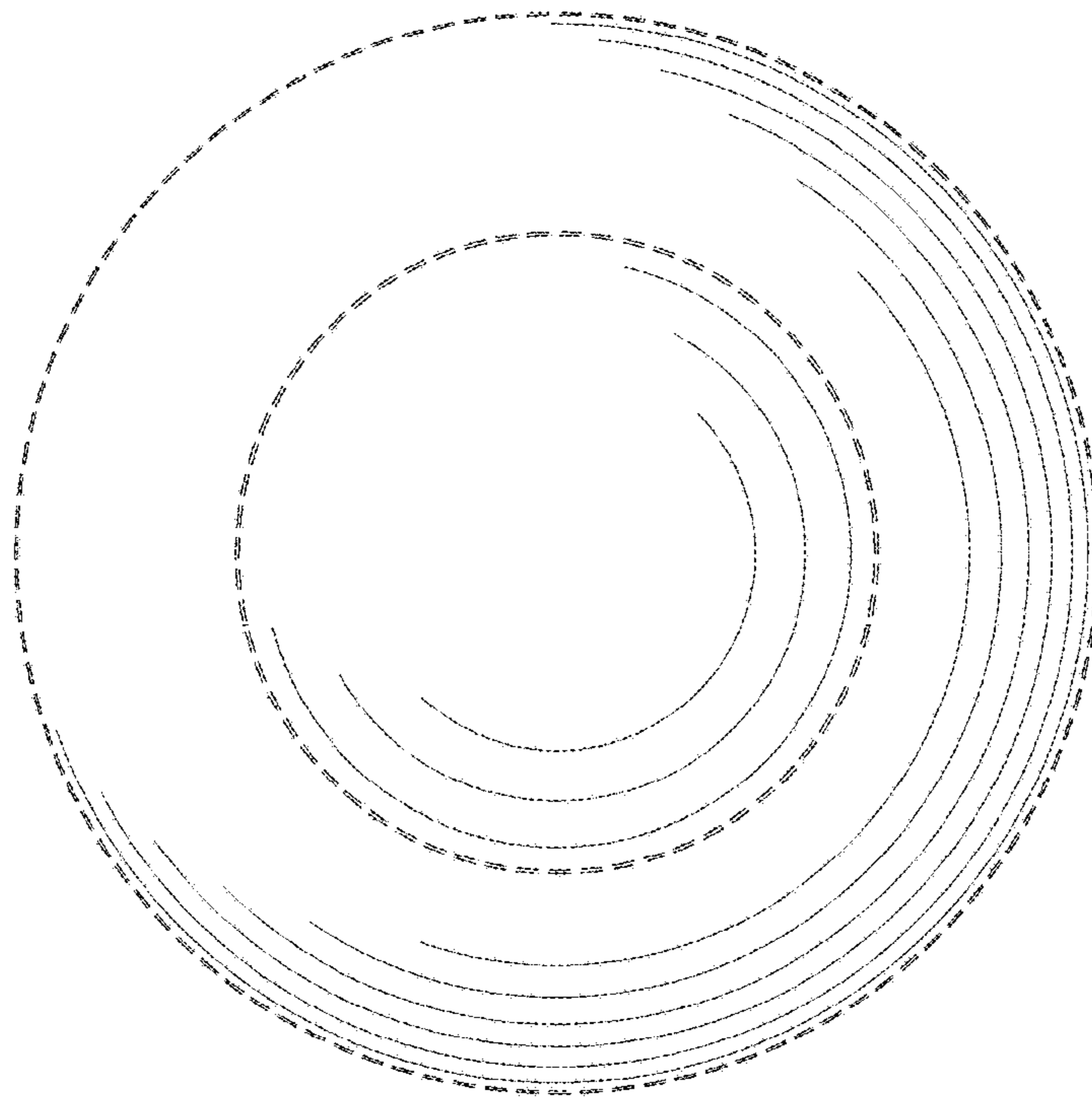


FIG. 5

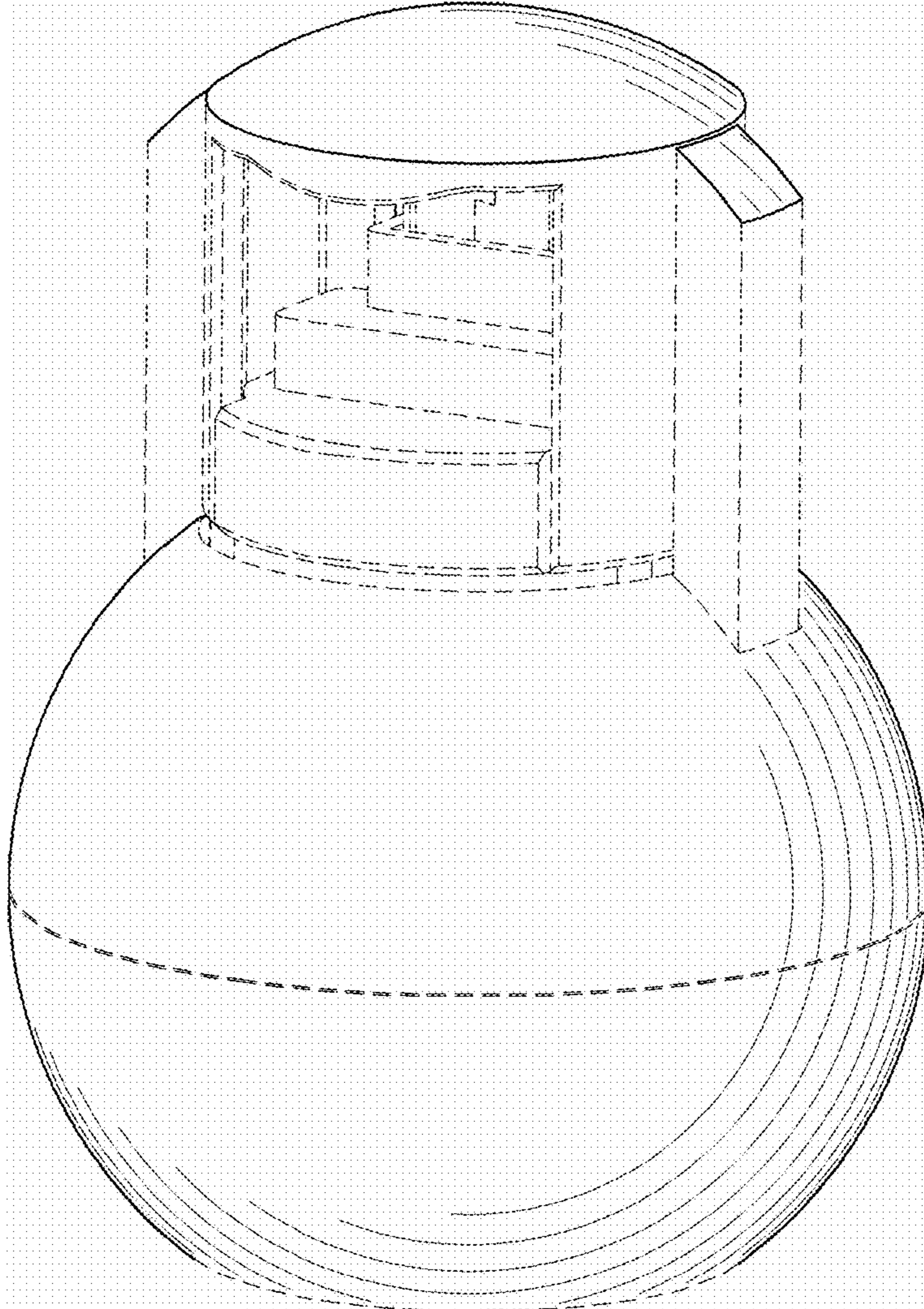


FIG. 6

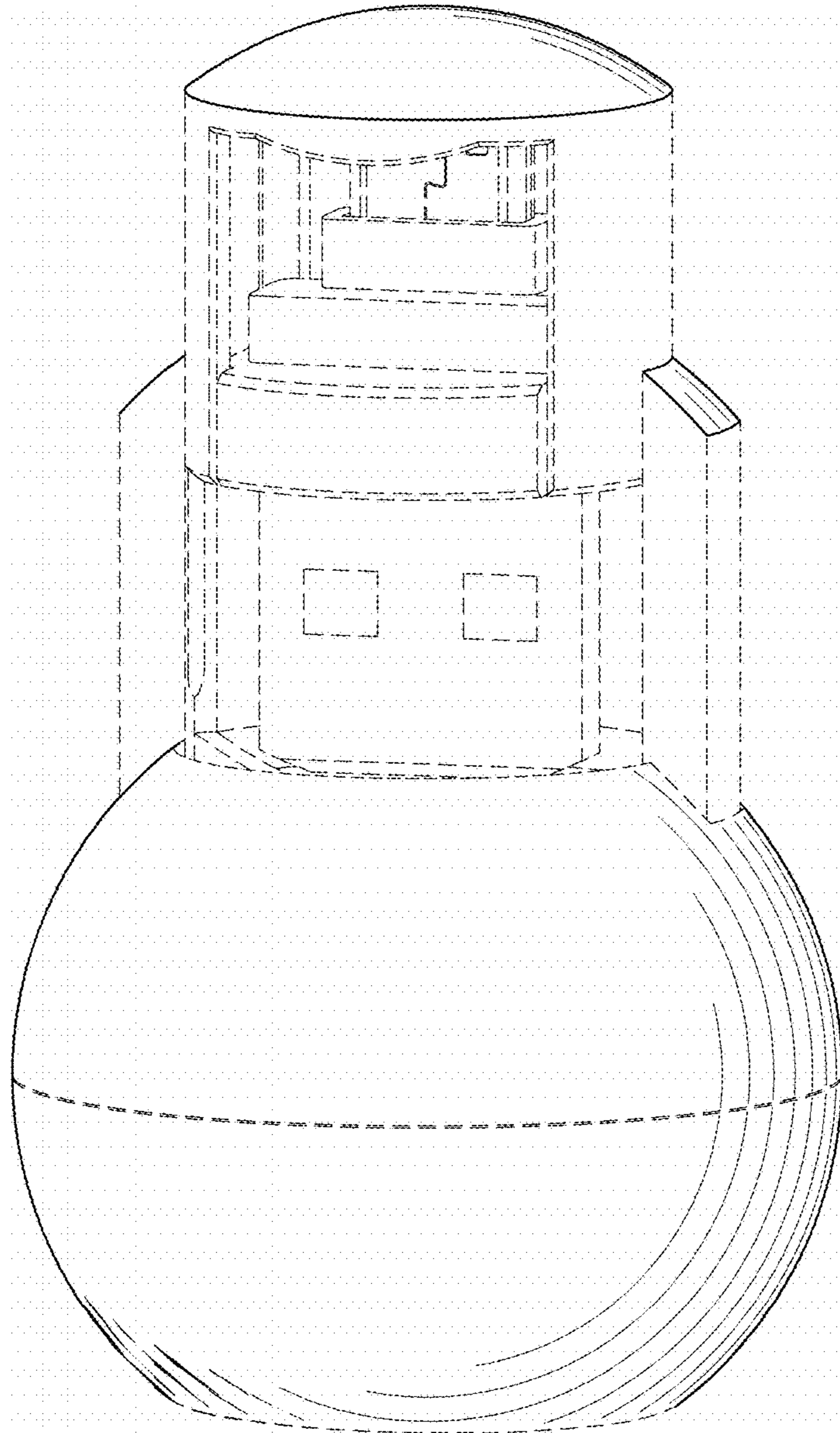


FIG. 7

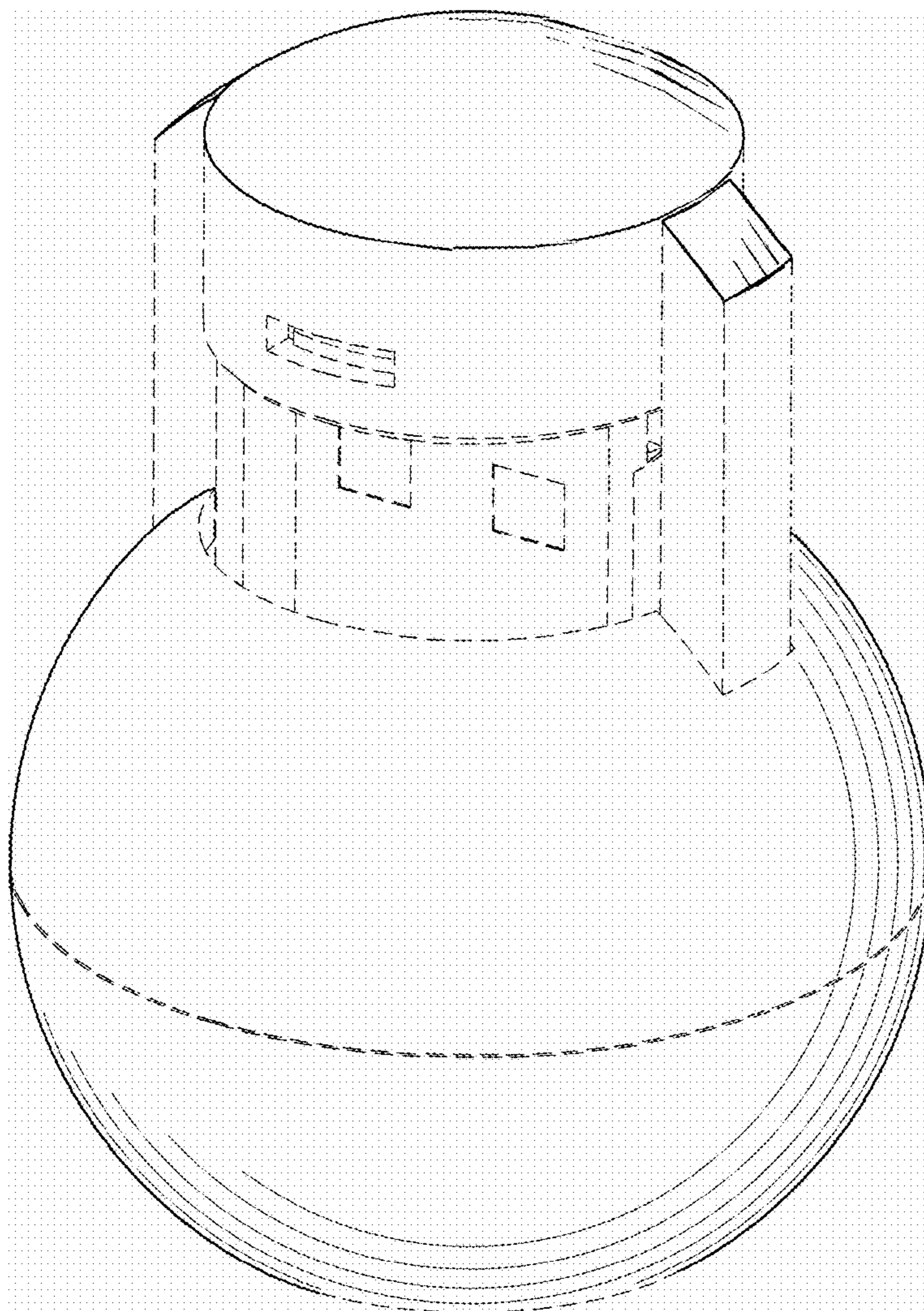


FIG. 8