



US00D861008S

(12) **United States Design Patent**
Yehekel

(10) **Patent No.:** **US D861,008 S**

(45) **Date of Patent:** **** Sep. 24, 2019**

(54) **SUPPORT PAD FOR A COMPUTER MOUSE**

FOREIGN PATENT DOCUMENTS

(71) Applicant: **Quality Time Solutions, Inc.**, Cold Spring Harbor, NY (US)

CN 202512538 * 10/2012 G06F 3/033

(72) Inventor: **Nissim Yehekel**, Cold Spring Harbor, NY (US)

OTHER PUBLICATIONS

(73) Assignee: **QUALITY TIME SOLUTIONS, INC.**, Cold Spring Harbor, NY (US)

Palm Rest and Support: A Superior Alternative to Wrist Rest Mouse Pads, Thin and Soft Sliding Palm Support/Rest, Amazon.com, Date First Available: Aug. 18, 2018, [online], [site visited Jun. 7, 2019]. URL: <https://www.amazon.com/Palm-Rest-Support-Superior-Alternative/dp/B07GM3KD2V> (Year: 2018).*

(**) Term: **15 Years**

(Continued)

(21) Appl. No.: **29/632,839**

Primary Examiner — T Chase Nelson

(22) Filed: **Jan. 10, 2018**

Assistant Examiner — Jonathan J. Han

(51) **LOC (12) Cl.** **06-06**

(74) *Attorney, Agent, or Firm* — Dilworth & Barrese, LLP.; Michael J. Musella, Esq.

(52) **U.S. Cl.**

USPC **D14/460**

(58) **Field of Classification Search**

USPC D14/458–461, 447, 451, 457, 251; D29/120.1; D24/190–192; D6/601, 613, D6/592; 248/118, 918, 118.1, 118.5, 248/346.01, 694; D19/52, 56, 95; 345/168; 108/90, 28, 6; 428/13, 195, 428/137, 172, 187, 542.2, 68

CPC A47C 7/022; A45D 29/00; A45D 29/22; A47B 21/0371; A47G 2009/1018; A47G 9/10; Y10S 248/918; G06F 3/0395

See application file for complete search history.

(57) **CLAIM**

The ornamental design for a support pad for a computer mouse, as shown and described.

DESCRIPTION

FIG. 1 is a side perspective view of an embodiment of a support pad for a computer mouse, which is symmetric to left and right sides;

FIG. 2 is a top plan view of the support pad of FIG. 1;

FIG. 3 is a bottom plan view of the support pad of FIG. 1;

FIG. 4 is a front elevational view of the support pad of FIG. 1; and,

FIG. 5 is a rear elevational view of the support pad of FIG. 1.

The broken and/or phantom lines depicting the computer mouse and wire are for showing environmental structure only and form no part of the claimed design, but are provided to illustrate the design when the support pad for a computer mouse is tethered to a computer mouse.

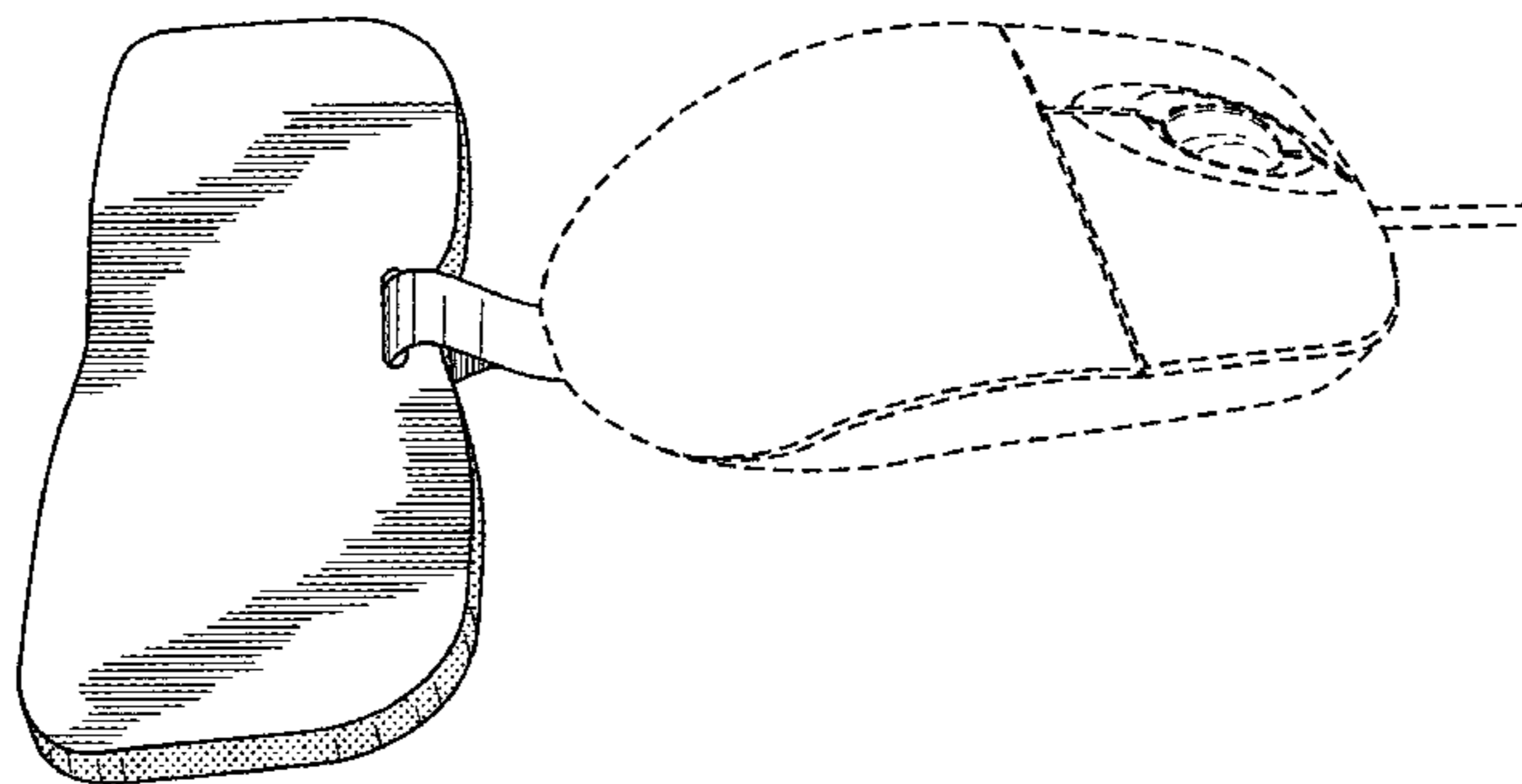
(56) **References Cited**

U.S. PATENT DOCUMENTS

D254,099 S *	2/1980	Richards	D24/125
D354,349 S *	1/1995	Grein	D24/124
D378,210 S *	2/1997	San Gabriel	D14/460
D399,195 S *	10/1998	Cummings	D14/460
5,884,879 A *	3/1999	Gruenenfelder	...	A47B 21/0371
				248/118
D413,209 S *	8/1999	Jarke	D6/406.3
6,082,682 A *	7/2000	So	A47B 21/0371
				248/118

(Continued)

1 Claim, 4 Drawing Sheets



(56)

References Cited

U.S. PATENT DOCUMENTS

6,089,516 A * 7/2000 Yates G06F 3/039
248/118
6,131,862 A * 10/2000 Gruenenfelder ... A47B 21/0371
248/118
6,157,370 A 12/2000 Kravtin et al.
6,283,419 B1 * 9/2001 Silkworth A47B 21/0371
248/118.5
D460,081 S * 7/2002 Bragato D14/460
D476,700 S * 7/2003 Manville D21/386
D479,417 S * 9/2003 Couture D6/707.22
D495,540 S * 9/2004 Lipsztein D6/601
6,932,304 B1 8/2005 Villamar
7,183,523 B2 * 2/2007 Lu A47B 21/0371
219/521
D538,814 S * 3/2007 Cranford D14/459
D553,675 S * 10/2007 Hogg D19/10
D612,543 S * 3/2010 Marseille D14/460
D645,675 S * 9/2011 Rice D6/406.3
8,451,225 B2 5/2013 Loomis
D724,343 S * 3/2015 Sinha D6/406.3
D747,323 S * 1/2016 Luciew D14/460
D751,257 S * 3/2016 Miura D30/118
D798,397 S * 9/2017 Bellevue D21/686
9,770,115 B1 * 9/2017 Shikhelman A47B 21/0371
D814,113 S * 3/2018 Yeheskel D28/44.2
9,927,890 B1 * 3/2018 Perlman G06F 3/03543
D827,061 S * 8/2018 Trenkle D21/686
D835,428 S * 12/2018 Askew-Harris D6/406.3
10,191,570 B1 * 1/2019 Puglisi A47B 21/0371
2002/0113175 A1 8/2002 Dillon

2002/0162919 A1* 11/2002 Kuo A47B 21/0371
248/118
2003/0169236 A1 9/2003 Crocker
2003/0193112 A1* 10/2003 Kuo B29C 41/08
264/255
2006/0273079 A1* 12/2006 Lu A47B 21/0371
219/521
2010/0090953 A1 4/2010 Loomis

OTHER PUBLICATIONS

Belkin WaveRest Gel Wrist Pad (F8E244-BLK), Amazon.com, Date first listed on Amazon: Aug. 29, 2002, [online], [site visited Jun. 7, 2019]. URL: https://www.amazon.com/Belkin-WaveRest-Gel-Wrist-F8E244-BLK/dp/B00006HVNI/ref=pd_lpo_vtph_147_-l-p_-t_-3-?_-e-n-c-o-d-i-n-g=-U-T-F-8-&a-m-p;-p-s-c=-1- (Year: 2002).*

SKYZONAL Ergonomic Wrist Pad Memory Foam Mouse Pad Anti-Skid Mousepad Support, Amazon.com, Date First Available: May 9, 2017, [online], [site visited Jun. 7, 2019]. URL: https://www.amazon.com/dp/B072HR2S7B/ref=sspa_dk_detail_2?psc=1 (Year: 2017).*

Metallic Luggage Tags, ContainerStore.com, [online], [site visited Jun. 7, 2019]. URL: <https://www.containerstore.com/s/travel/travel-comforts-essentials/metallic-luggage-tags/12d?productId=11007817> (Year: 2019).*

Wrist Pad from Amazon.com, https://www.amazon.com/gp/product/B071L7R3YG/ref=oh_aui_detailpage_o05_s00?ie=UTF8&psc=1 Jan. 10, 2018.

Wrist Pad from Amazon.com, https://www.amazon.com/gp/product/B071L82HXT/ref=oh_aui_detailpage_o06_s00?ie=UTF8&psc=1 Jan. 10, 2018.

* cited by examiner

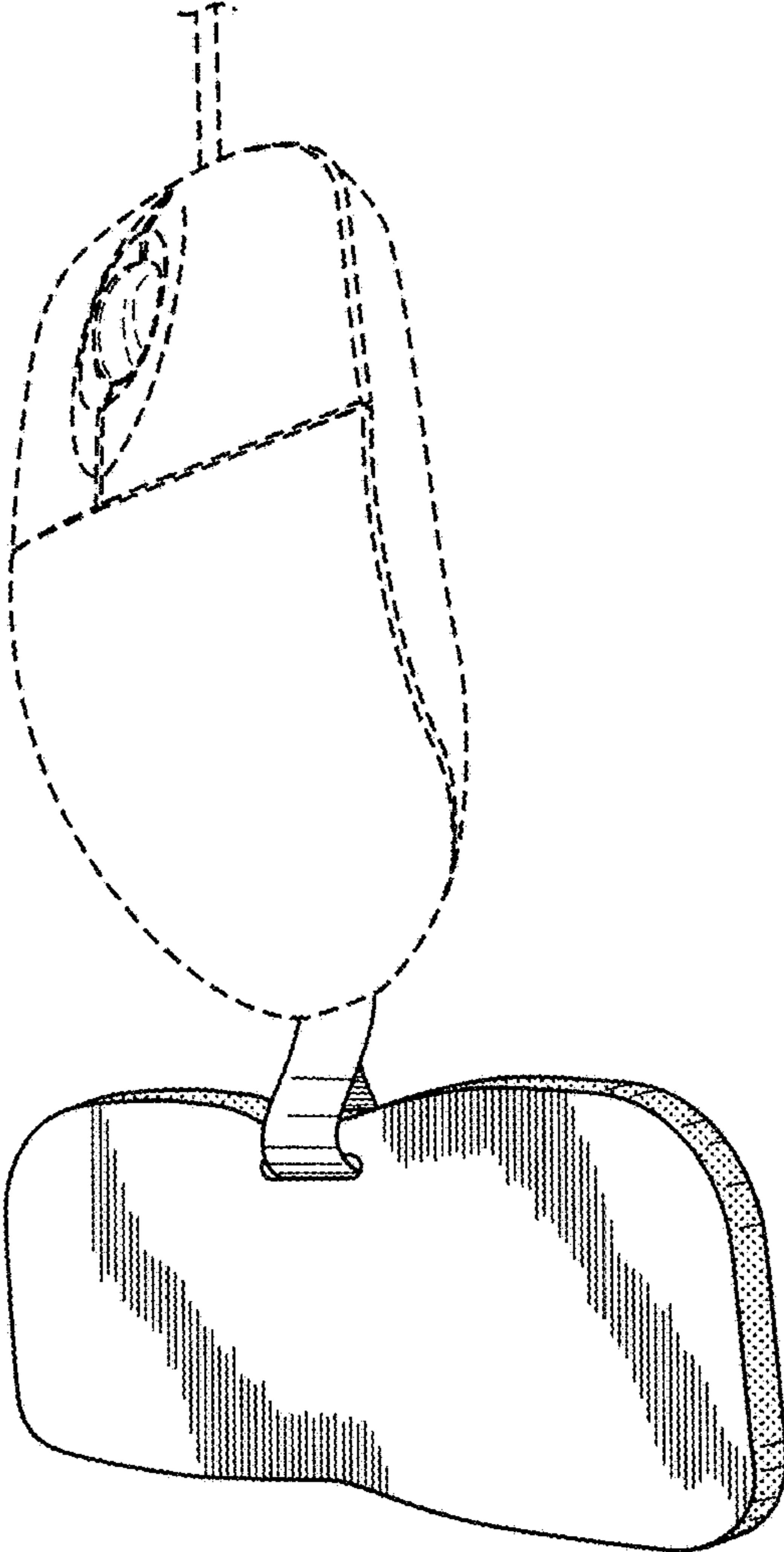


FIG. 1

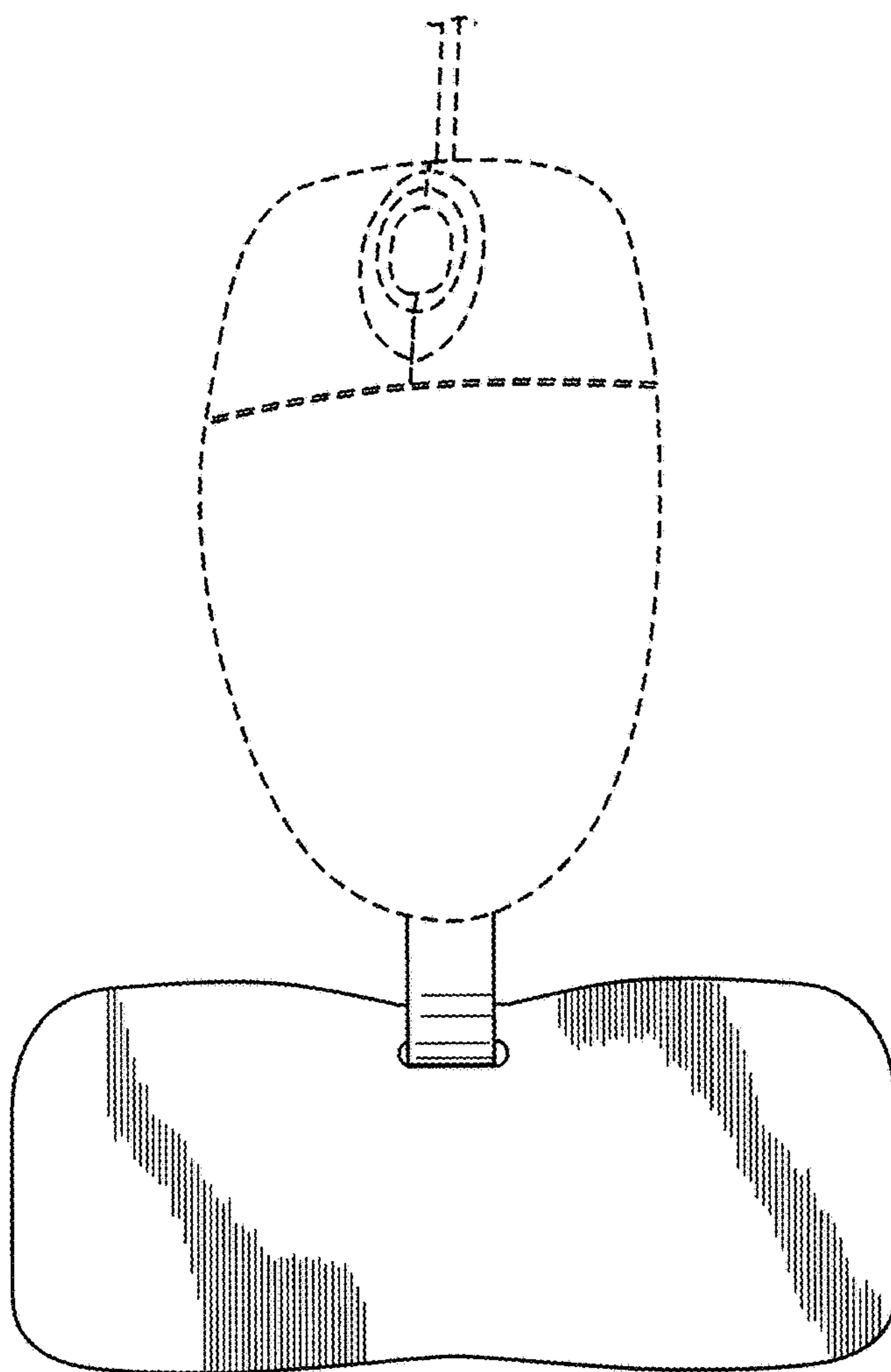


FIG. 2

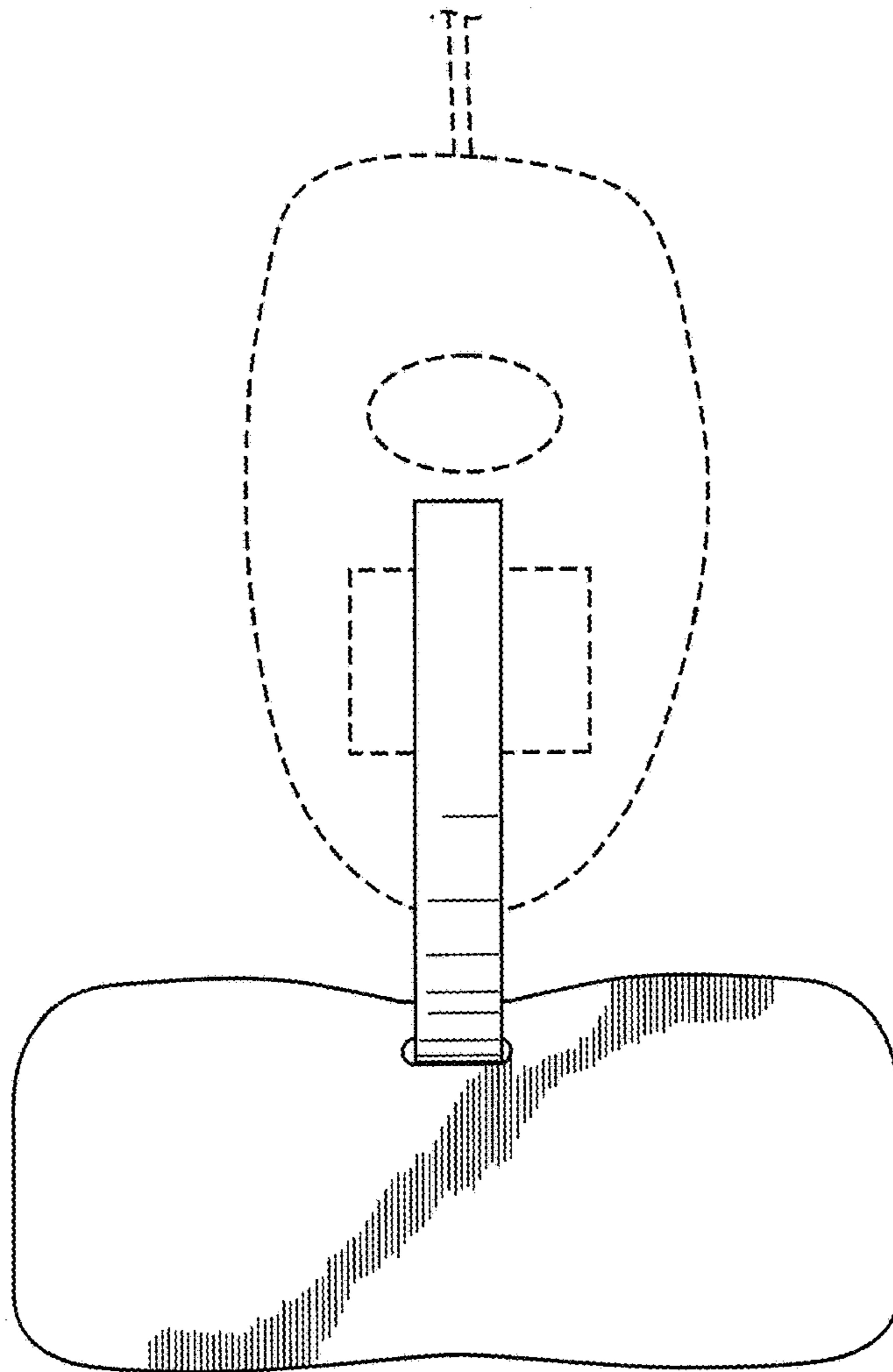


FIG. 3



FIG. 4

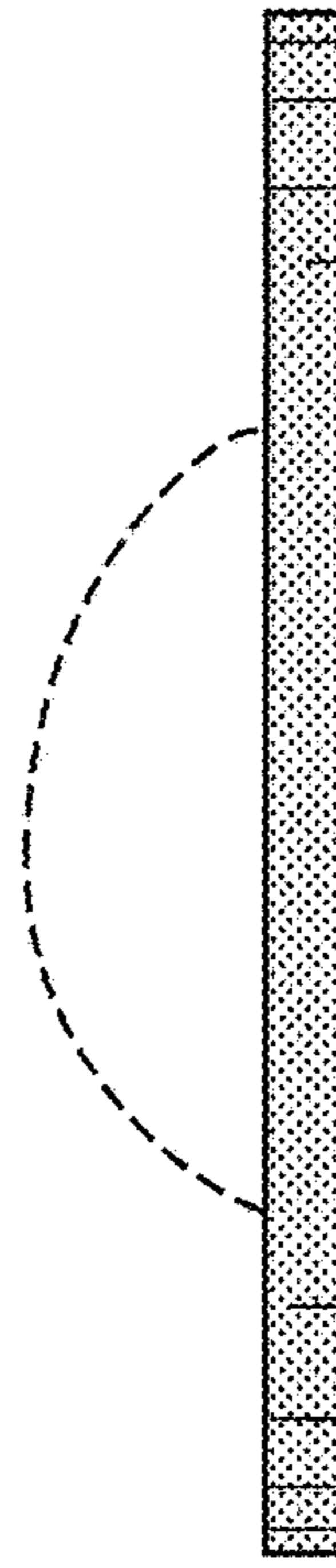


FIG. 5