



US00D861006S

(12) **United States Design Patent**
Maslana

(10) **Patent No.:** **US D861,006 S**

(45) **Date of Patent:** **** Sep. 24, 2019**

(54) **KEYPAD MOUNT**

(71) Applicant: **Prince Castle LLC**, Carol Stream, IL
(US)

(72) Inventor: **Eugene S. Maslana**, Arlington Heights,
IL (US)

(73) Assignee: **Prince Castle LLC**, Carol Stream, IL
(US)

(**) Term: **15 Years**

(21) Appl. No.: **29/627,514**

(22) Filed: **Nov. 28, 2017**

(51) **LOC (12) Cl.** **14-02**

(52) **U.S. Cl.**
USPC **D14/457; D14/253**

(58) **Field of Classification Search**
USPC D14/434, 455, 457, 447, 238-238.1,
D14/251-253; D13/107-108, 139.5;
D8/381, 354-355
CPC F16M 11/04; F16M 11/18; F16M 2200/00;
F16M 13/00; F16M 13/02
See application file for complete search history.

(56) **References Cited**

U.S. PATENT DOCUMENTS

D394,862 S *	6/1998	Fischer	D14/253
D407,408 S *	3/1999	Hoff	D14/253
D467,930 S *	12/2002	Hwang	D14/447
D577,358 S *	9/2008	Kettula	D14/251
D621,839 S *	8/2010	Sweet	D14/229
D634,947 S *	3/2011	Barabas	D14/434
D688,670 S *	8/2013	Huang	D14/447
D696,672 S *	12/2013	Brittain	D14/447
D729,248 S *	5/2015	Porter	D14/434
D732,929 S *	6/2015	Harrow	D8/354
D733,530 S *	7/2015	Tonthat	D8/354
D750,603 S *	3/2016	Venghaus	D14/238
D771,615 S *	11/2016	Pignotti	D14/253

D778,283 S *	2/2017	Tsai	D14/447
D788,778 S *	6/2017	Magi	D14/434
D789,348 S *	6/2017	Kim	D14/250
D810,014 S *	2/2018	Haranaka	D13/108
D825,575 S *	8/2018	Gao	D14/447
10,194,541 B2 *	1/2019	Deng	F16B 2/12
D842,305 S *	3/2019	Gao	D14/447
D842,862 S *	3/2019	Ellis	D14/447
D846,370 S *	4/2019	Ni	D8/354
2012/0091307 A1 *	4/2012	Haynes	A47B 23/043 248/451

(Continued)

OTHER PUBLICATIONS

Lesgavroches, Wall Mirror Mounting Brackets, posted at cdcoverdesigns, posting date Nov. 19, 2017. Site visited May 9, 2019. URL: <<http://cdcoverdesigns.com/wall-mirror-mounting-brackets/>> (Year: 2017).*

(Continued)

Primary Examiner — Kevin K Rudzinski
Assistant Examiner — Kathleen L Jones
(74) *Attorney, Agent, or Firm* — Andrus Intellectual Property Law, LLP

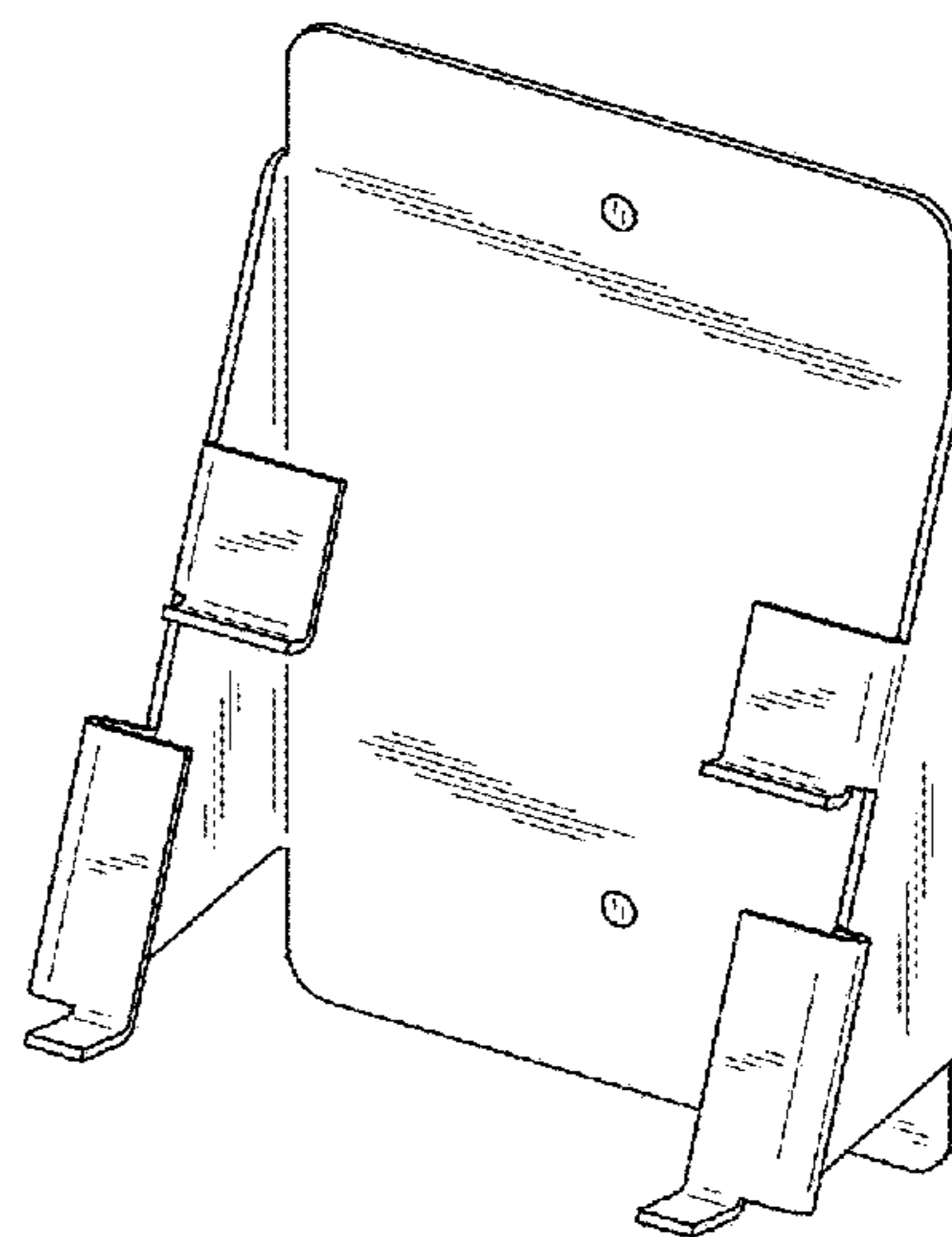
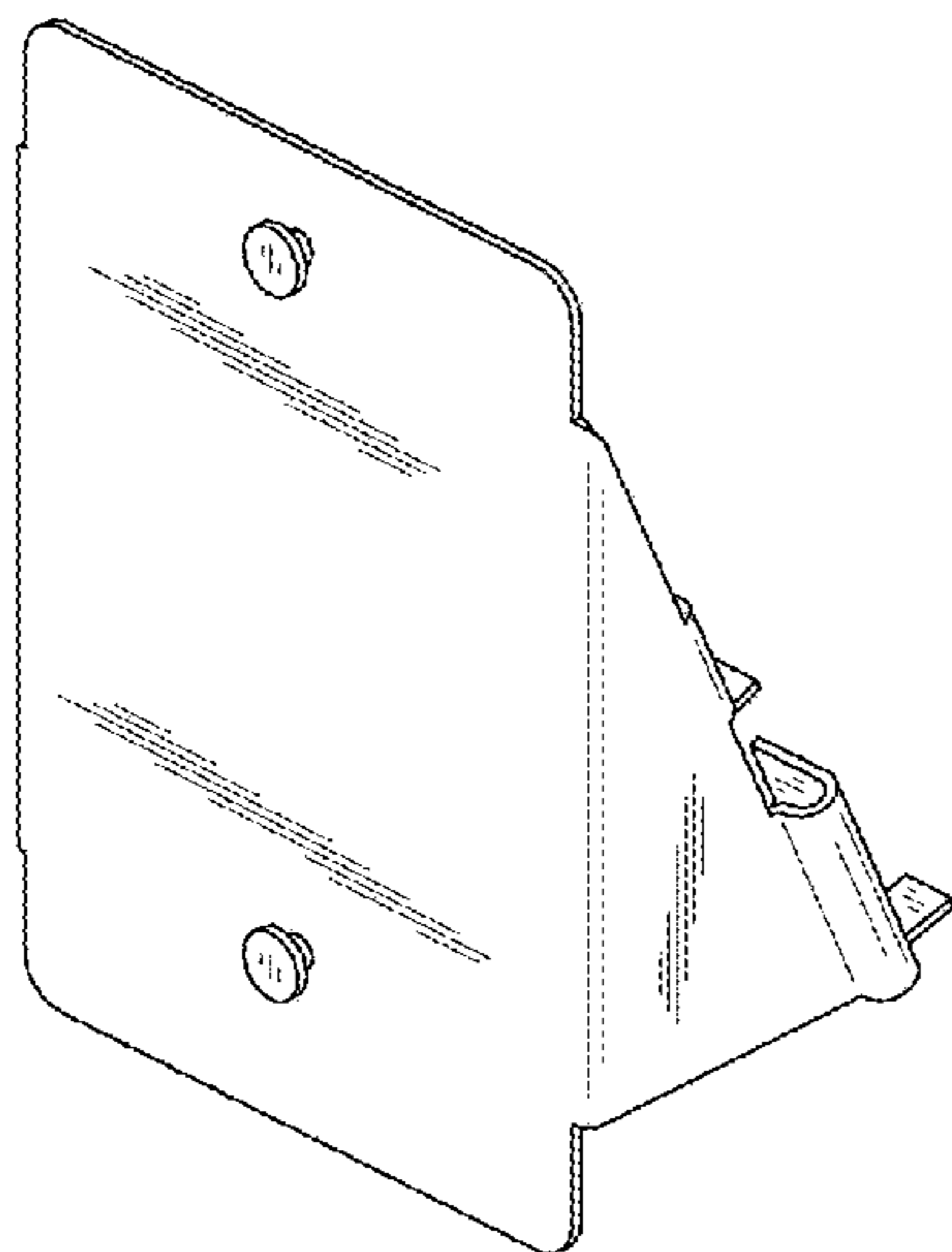
(57) **CLAIM**

The ornamental design for a keypad mount, as shown and described.

DESCRIPTION

FIG. 1 is a front perspective view of a keypad mount; FIG. 2 is a back perspective view of a keypad mount; FIG. 3 is a back view thereof; FIG. 4 is a front view thereof; FIG. 5 is a right view thereof; FIG. 6 is a left view thereof; FIG. 7 is a top view thereof; and, FIG. 8 is a bottom view thereof.

1 Claim, 4 Drawing Sheets



(56)

References Cited

U.S. PATENT DOCUMENTS

2014/0061406 A1* 3/2014 Chevalier F16M 11/08
248/205.1
2014/0144606 A1* 5/2014 Jiang F16M 11/041
165/67
2015/0090852 A1* 4/2015 Lin F16M 11/10
248/371

OTHER PUBLICATIONS

Xbox One Wall Mounting Clip, posted at Rakuten, posting date not available. Site visited May 9, 2019. URL: <https://www.rakuten.com/shop/ce-compass/product/XBONE_KN_W_MNT_86/>.*

* cited by examiner

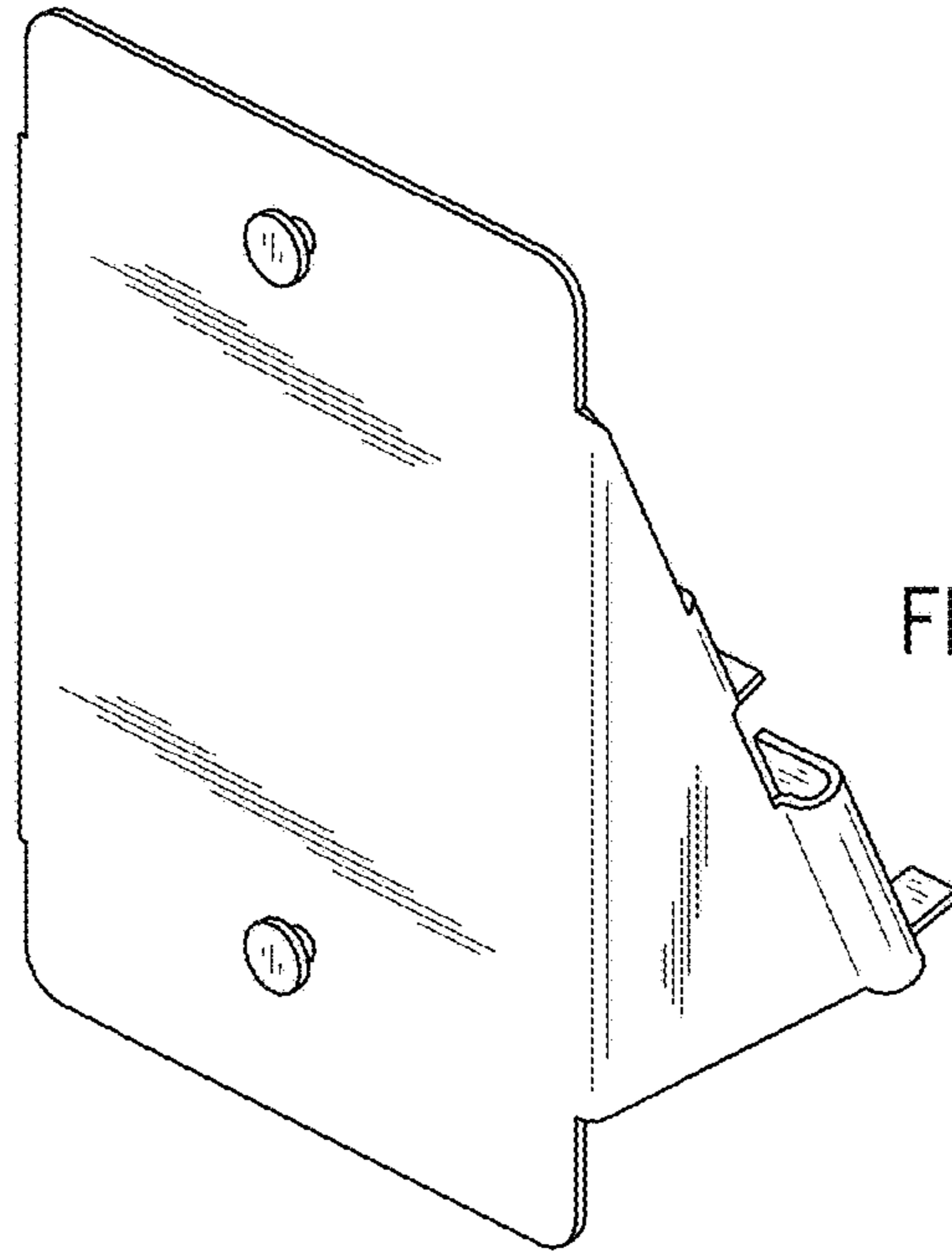


FIG. 1

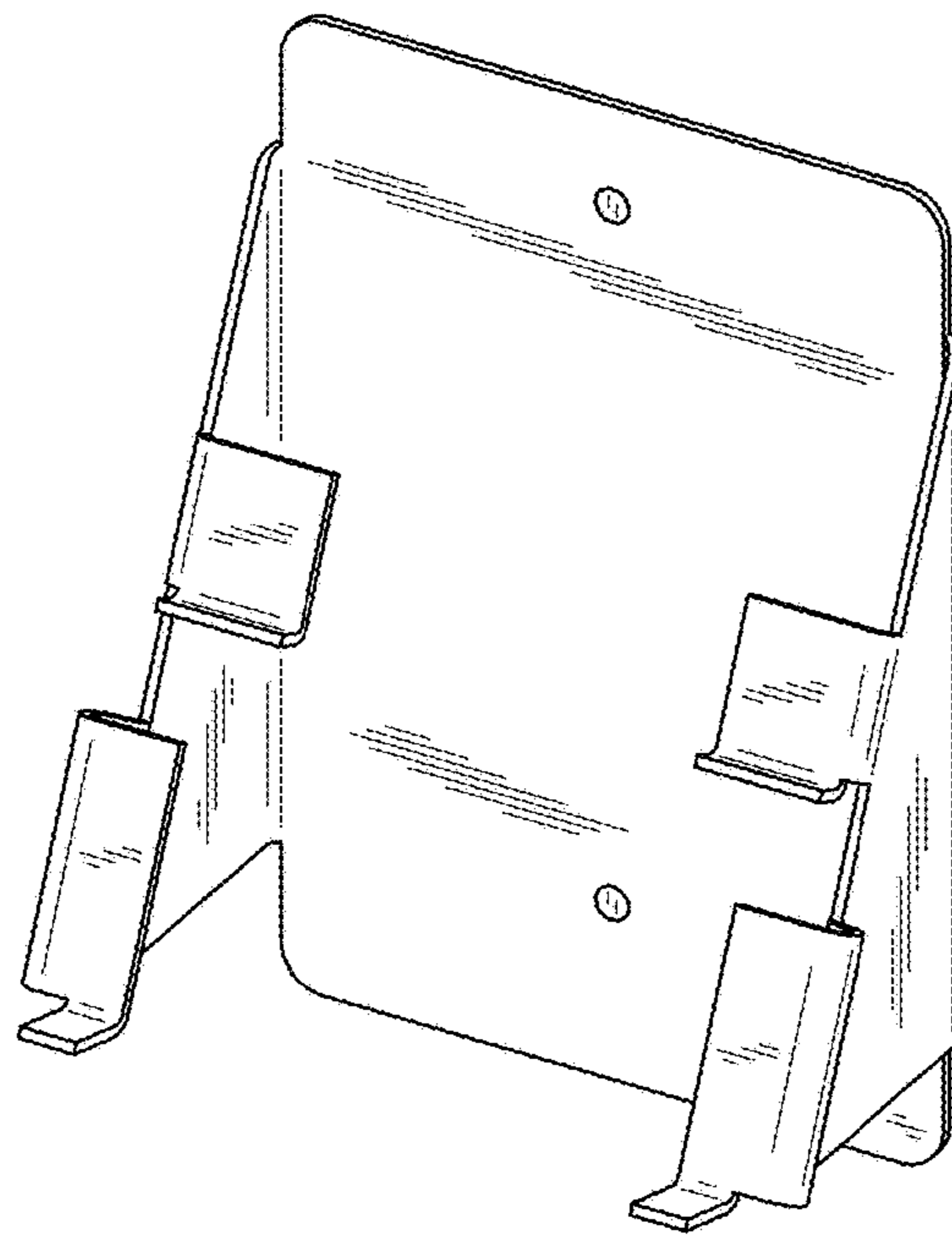


FIG. 2

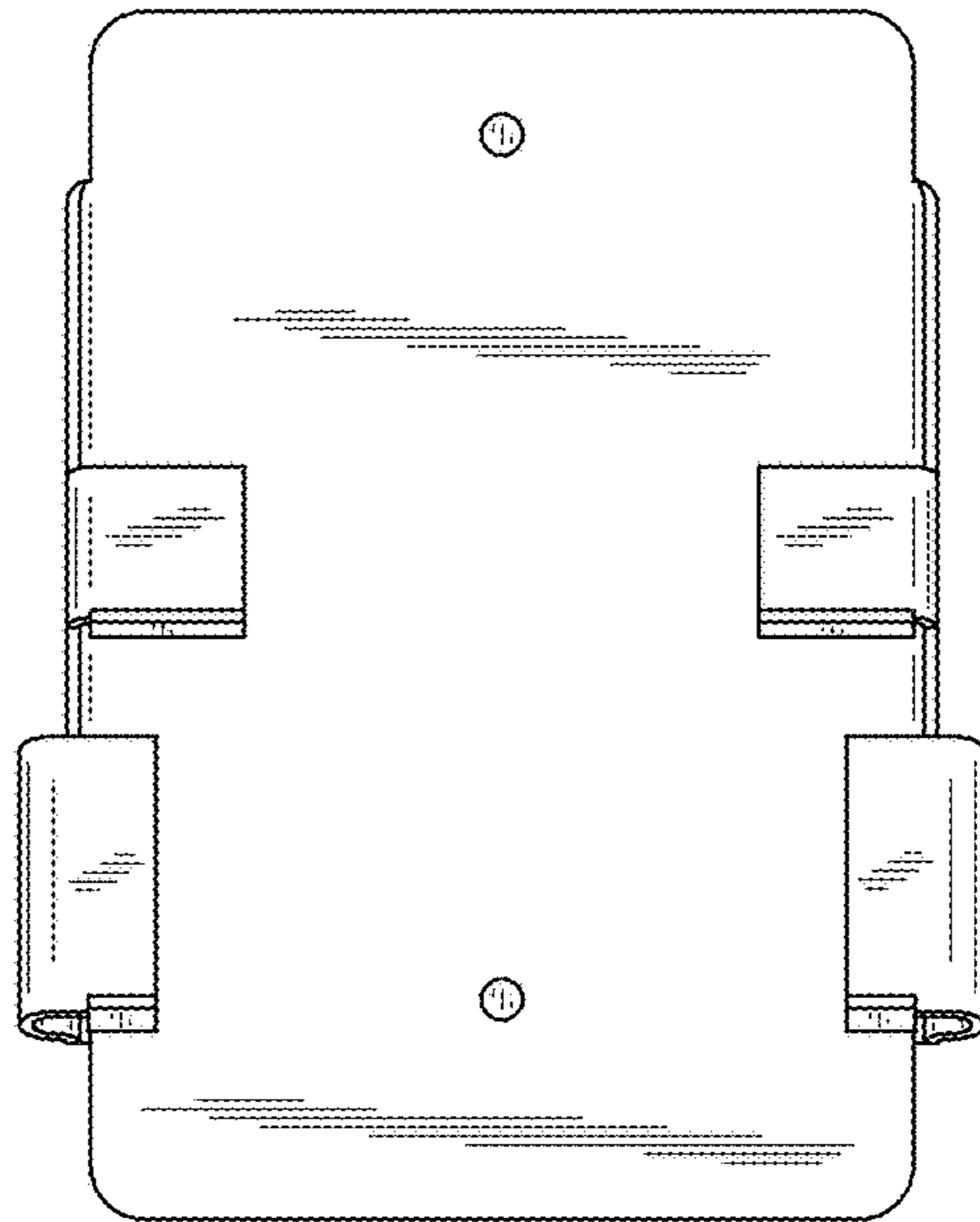


FIG. 3

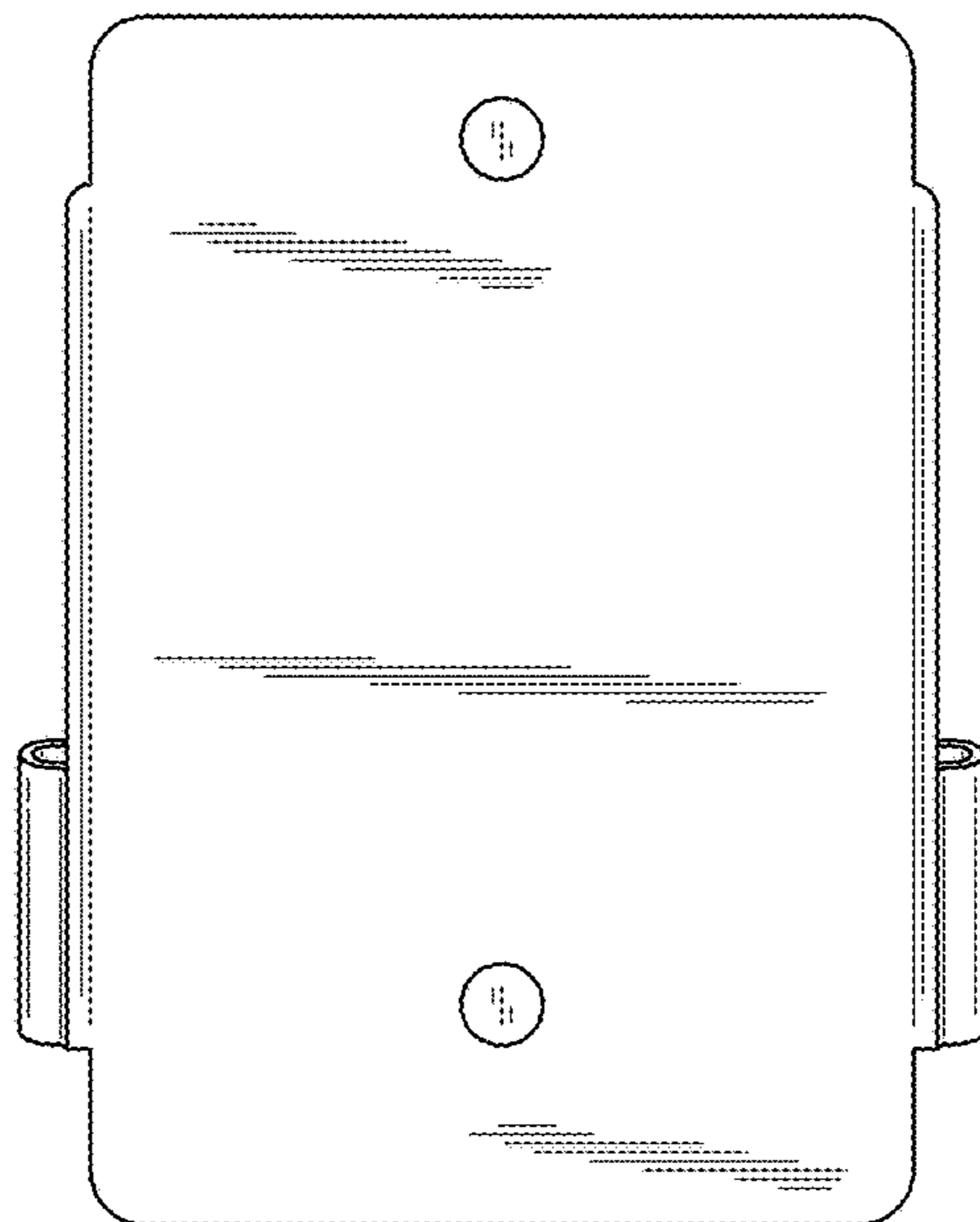


FIG. 4

FIG. 5

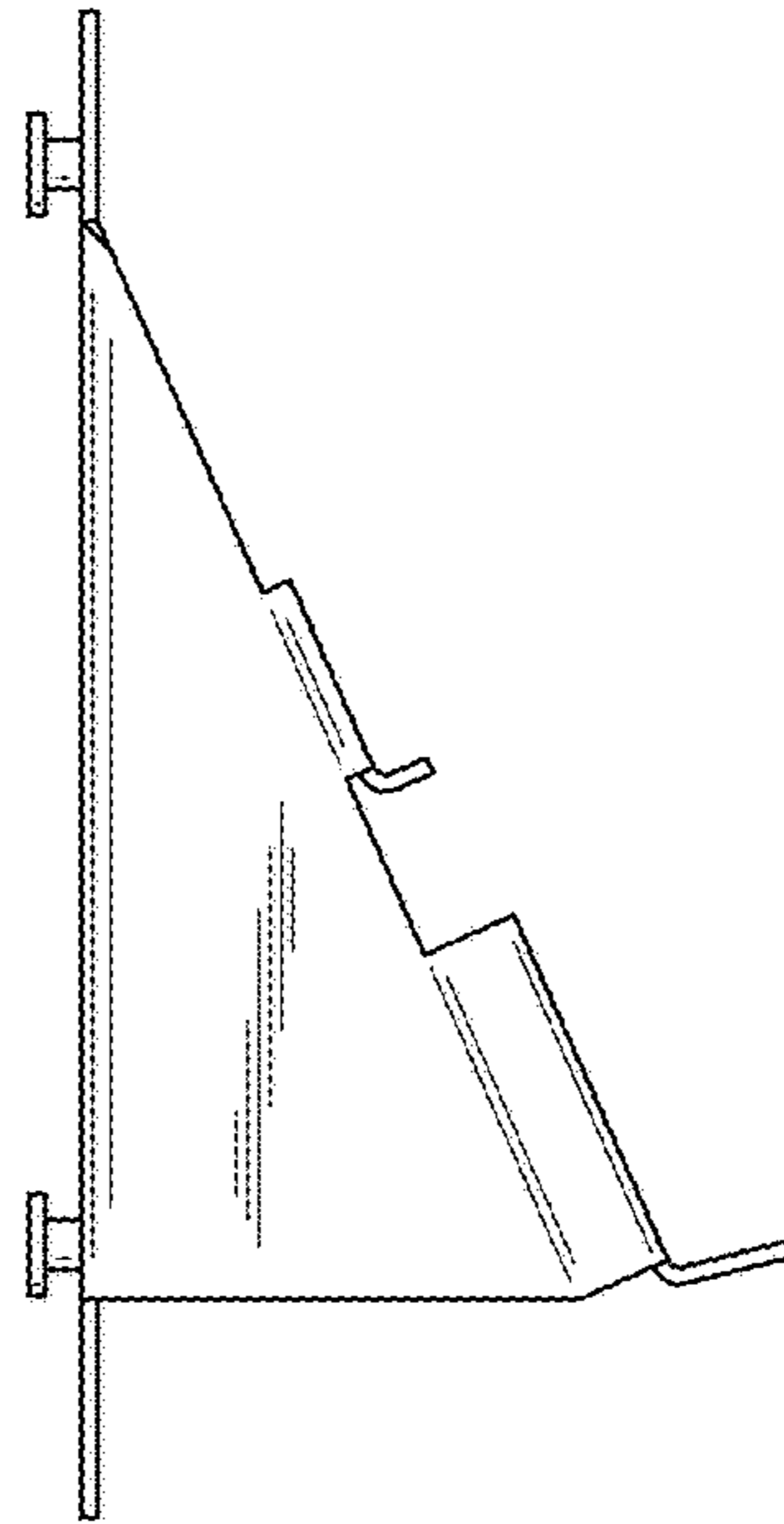
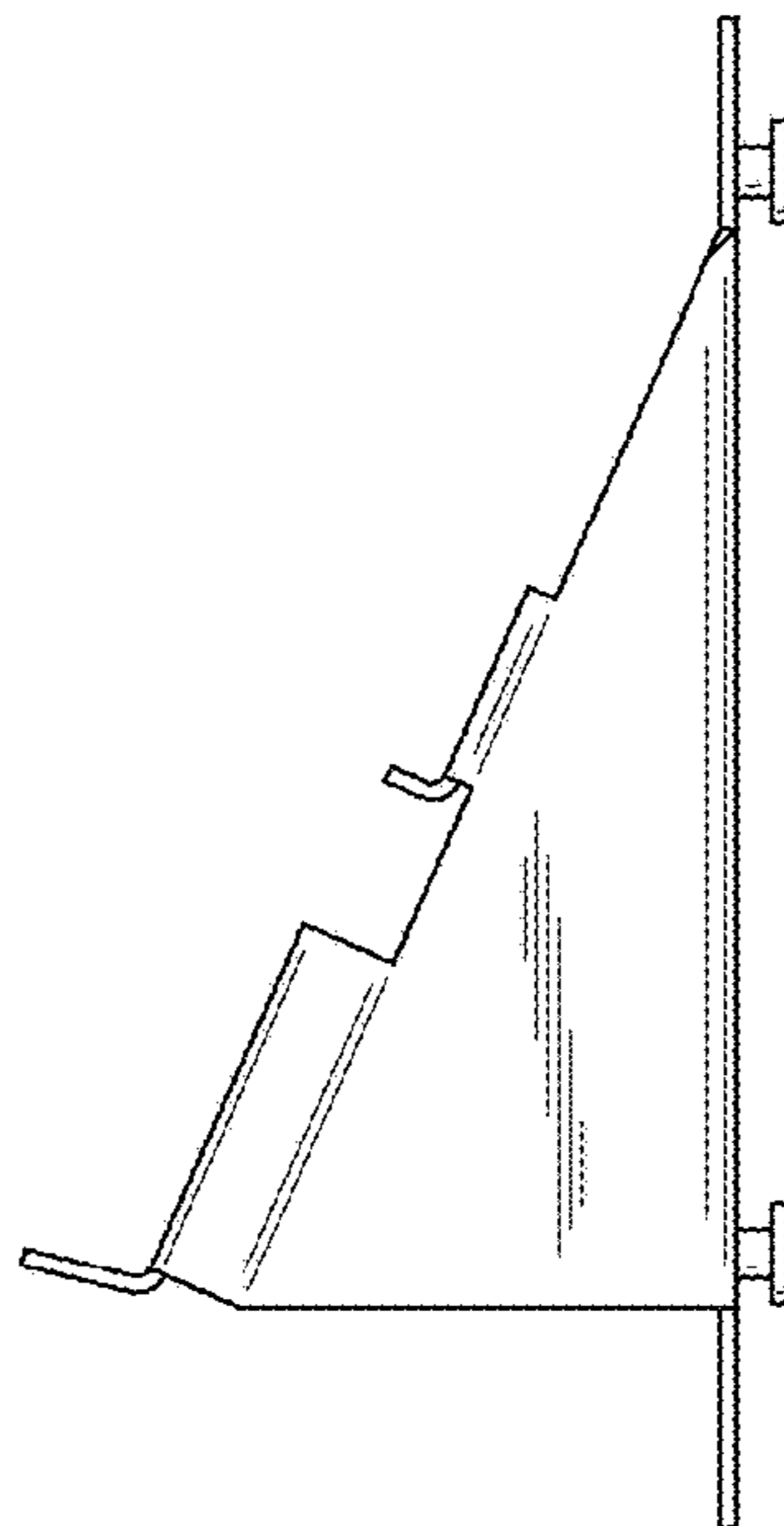


FIG. 6



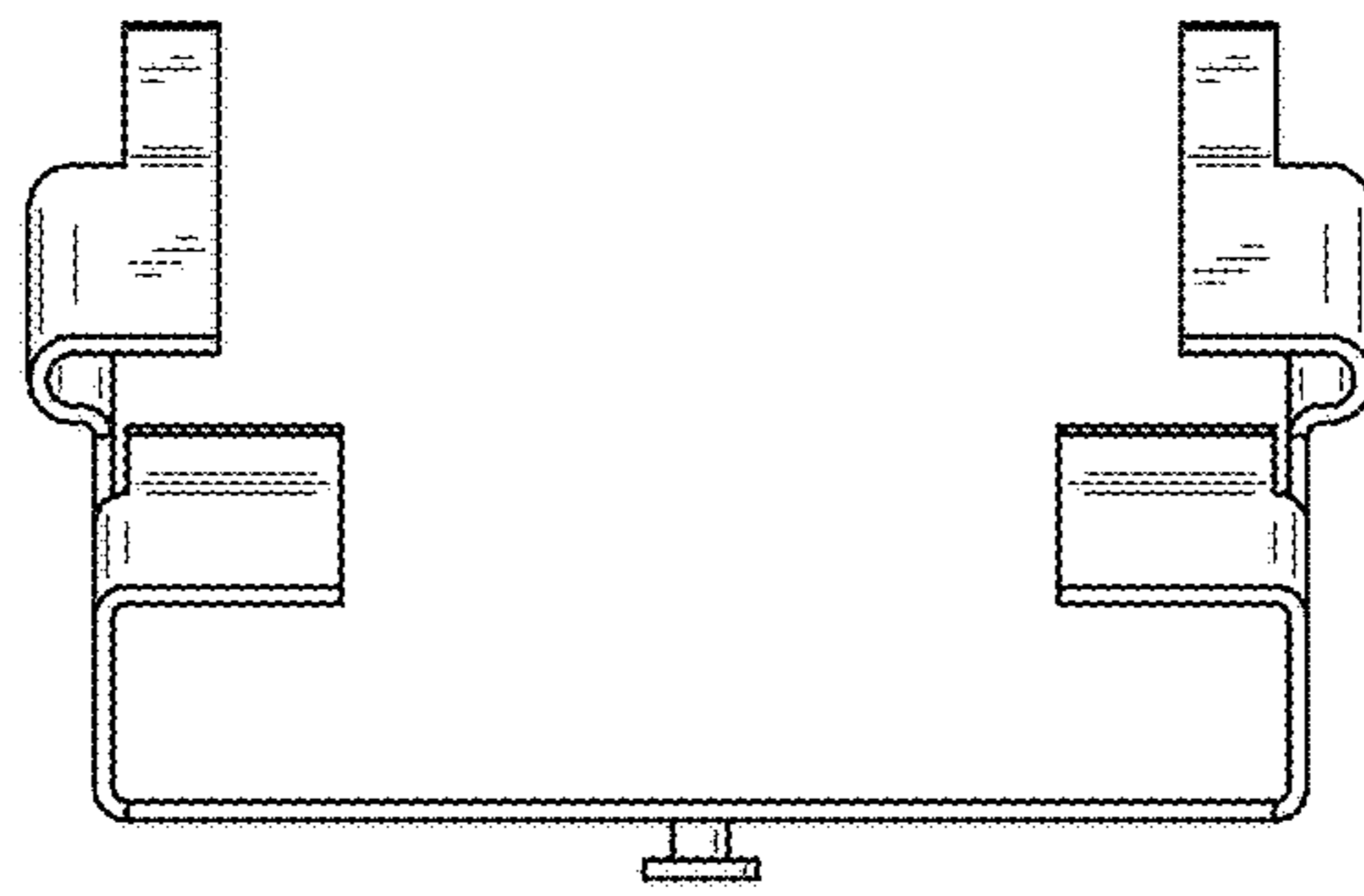


FIG. 7

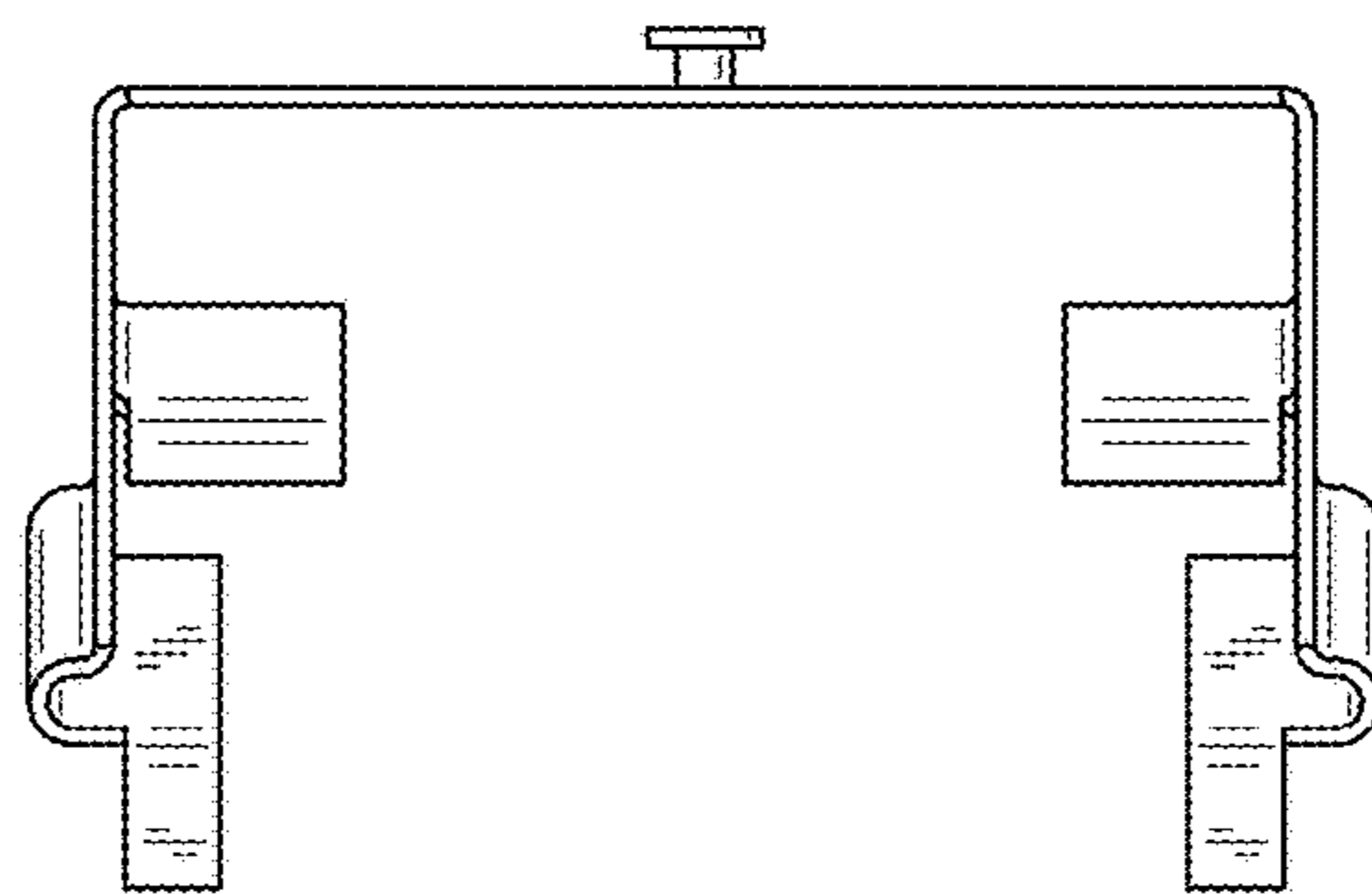


FIG. 8