



US00D861005S

(12) **United States Design Patent** (10) **Patent No.:** **US D861,005 S**  
**Kiernan-Lewis** (45) **Date of Patent:** **\*\* Sep. 24, 2019**

(54) **DISPLAY MOUNT**

(71) Applicant: **Jeffrey Overall**, Costa Mesa, CA (US)

(72) Inventor: **John Kiernan-Lewis**, Irvine, CA (US)

(\*\*) Term: **15 Years**

(21) Appl. No.: **29/669,134**

(22) Filed: **Nov. 6, 2018**

(51) **LOC (12) Cl.** ..... **14-02**

(52) **U.S. Cl.**  
USPC ..... **D14/451**

(58) **Field of Classification Search**  
USPC ..... D14/371-382, 125-129, 336, 337,  
D14/447-452, 492, 335, 239, 457,  
D14/439-441, 432, 251-253; D8/349,  
D8/354, 363, 373, 376, 380; D21/333;  
D12/415; D3/218; 348/180, 184, 325,  
348/739, 825

CPC ..... G06F 3/0412; G06F 3/016; G06F 3/0488;  
G06F 3/011; G06F 3/038; G06F 3/03543;  
G06F 3/0338; G06F 3/0202; G06F  
3/0219; G06F 3/0213; G06F 1/1616;  
G06F 3/023; G06F 3/04883; G02F  
1/13338; G02F 1/1313; G02F 1/1333;  
G02F 1/135; G02F 1/132; G02F  
1/133308; G02F 1/134309; G02F  
1/13718; G09G 3/3648; G06K 15/1252;  
B41J 2/465; G03F 7/70291; G02B  
27/0172; G02B 5/30; G02B 2027/0118;  
G02B 27/0101; F16M 13/02; F16M  
13/00; F16M 11/10; F16M 11/04; F16M  
2200/08; F16M 11/2021; A47B 21/0314;  
A47B 88/044; A47B 2021/0335; H02G  
3/126; F16B 47/00; F16B 47/006; A47G  
1/17; A47K 2201/00

See application file for complete search history.

(56) **References Cited**

U.S. PATENT DOCUMENTS

D311,392 S	10/1990	Hillary	
D391,946 S	3/1998	Rosen	
D400,735 S	11/1998	House	
D409,597 S	5/1999	Rosen	
D410,458 S	6/1999	Rosen	
D456,789 S	5/2002	Snyker	
D477,606 S	7/2003	Theis	
D494,595 S *	8/2004	Lin	D14/447
D496,046 S	9/2004	Lo	
6,918,562 B2 *	7/2005	Lee	F16M 11/10 248/130
D536,360 S	2/2007	Dayan	
D542,296 S	5/2007	Bockheim	
D548,227 S *	8/2007	Wang	D14/239
D593,568 S	6/2009	Hsieh	
D598,917 S	8/2009	Luber	
D616,424 S *	5/2010	Li	D14/239
D620,012 S *	7/2010	Chen	D14/451
D660,308 S	5/2012	Huang	
D703,675 S *	4/2014	Jensen	D14/447
D732,495 S	6/2015	Liao	
D742,843 S *	11/2015	Lee	D14/126
D757,021 S	5/2016	Won	

(Continued)

*Primary Examiner* — Katie Jane Stofko

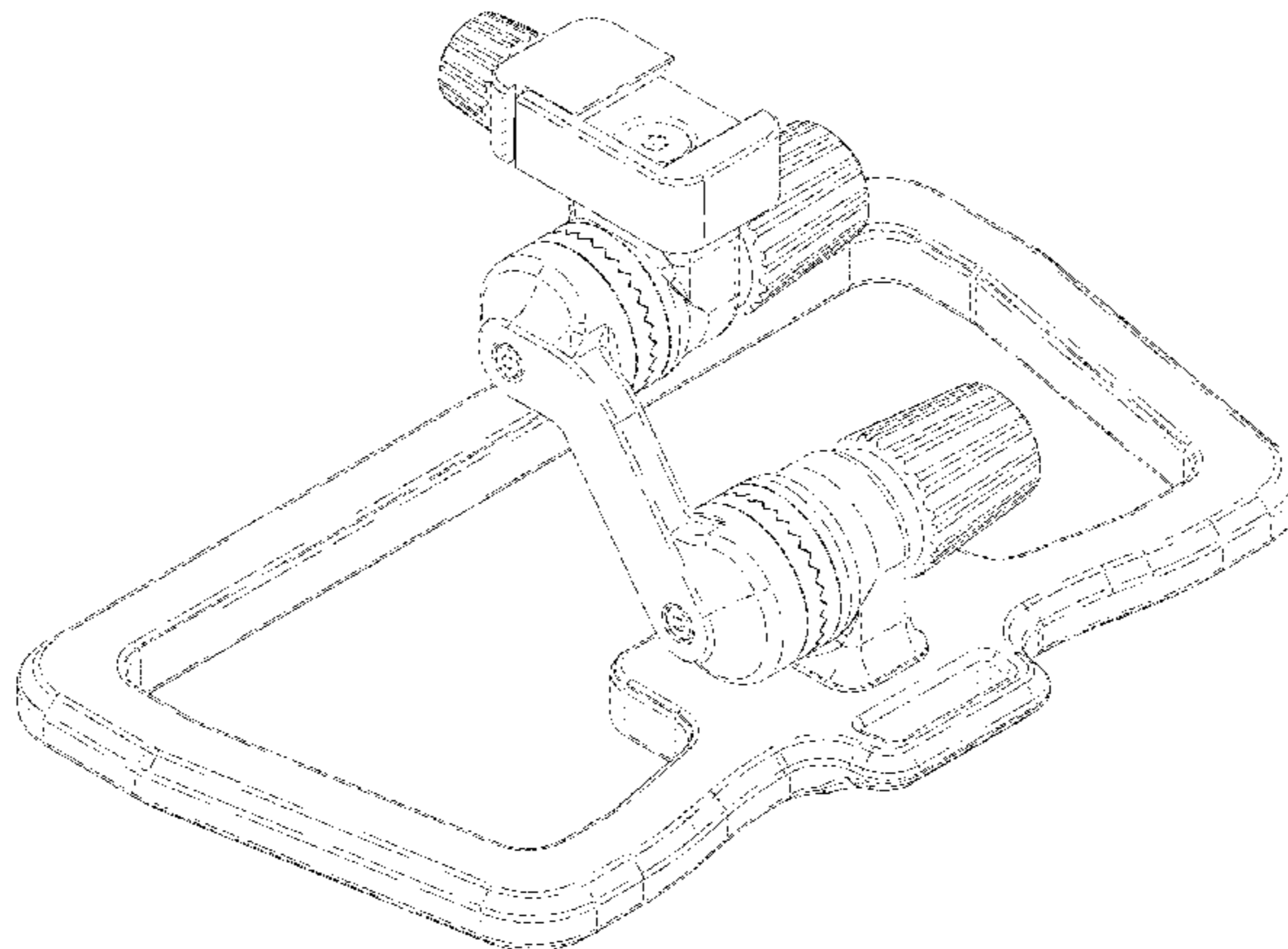
(57) **CLAIM**

The ornamental design for a display mount, as shown and described.

**DESCRIPTION**

FIG. 1 is a top left perspective view of a display mount;  
FIG. 2 is a front view thereof;  
FIG. 3 is a back view thereof;  
FIG. 4 is a left side view thereof;  
FIG. 5 is a right side view thereof;  
FIG. 6 is a top view thereof; and,  
FIG. 7 is a bottom view thereof.  
The broken lines in the drawings illustrate portions of the display mount that form no part of the claimed design.

**1 Claim, 4 Drawing Sheets**



(56)

**References Cited**

U.S. PATENT DOCUMENTS

D759,002 S 6/2016 Won  
D768,139 S \* 10/2016 Chang ..... D14/451  
D788,782 S 6/2017 Lim  
D831,663 S 10/2018 Beckers  
D832,275 S \* 10/2018 Kiernan-Lewis ..... D14/447  
D842,282 S \* 3/2019 Lee ..... D14/239  
2004/0147178 A1 \* 7/2004 Kim ..... F16M 11/046  
439/894  
2007/0033769 A1 \* 2/2007 Lu ..... E05D 11/02  
16/221  
2019/0082148 A1 \* 3/2019 Overall ..... H04N 7/185

\* cited by examiner

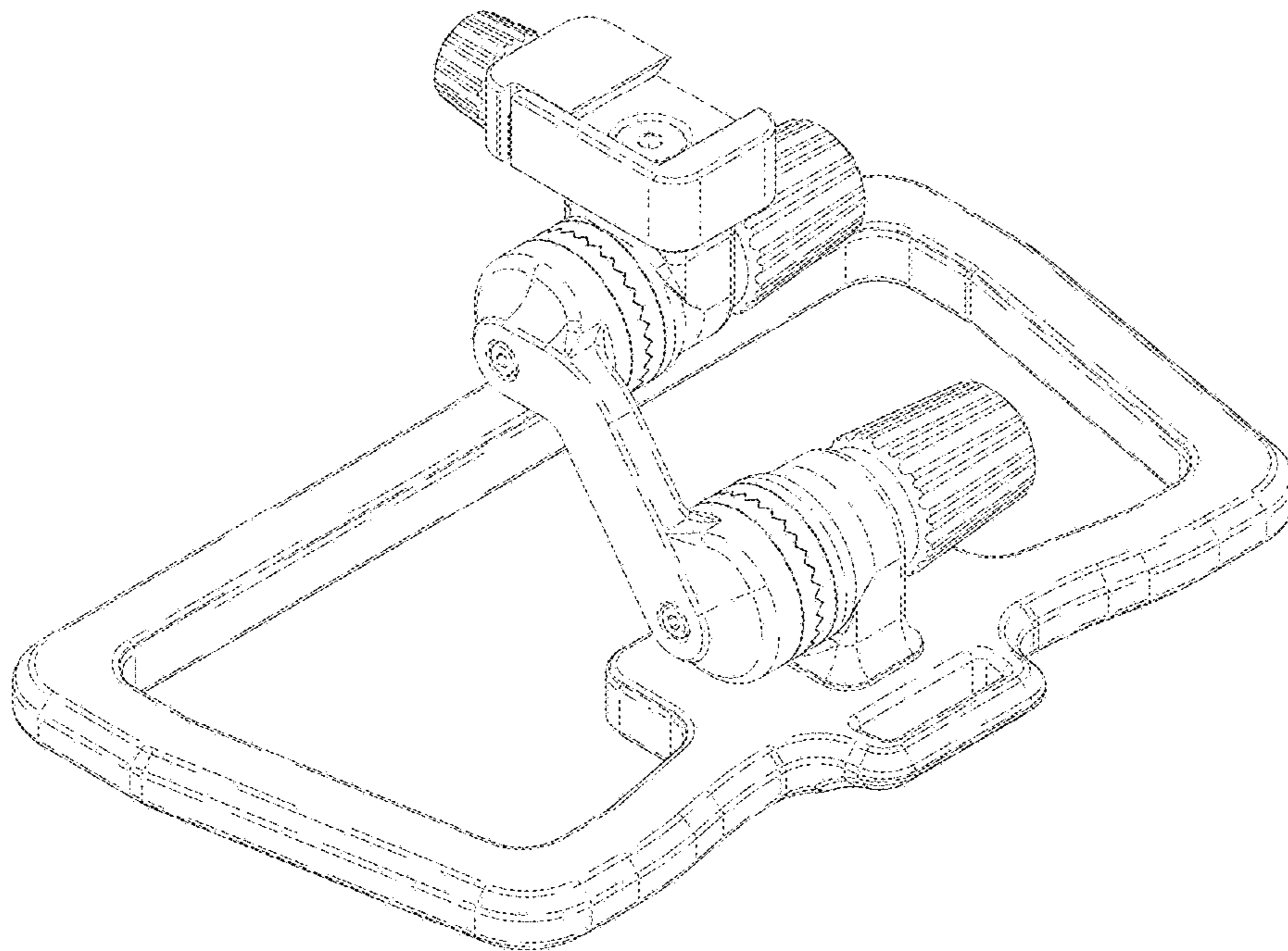


FIG. 1

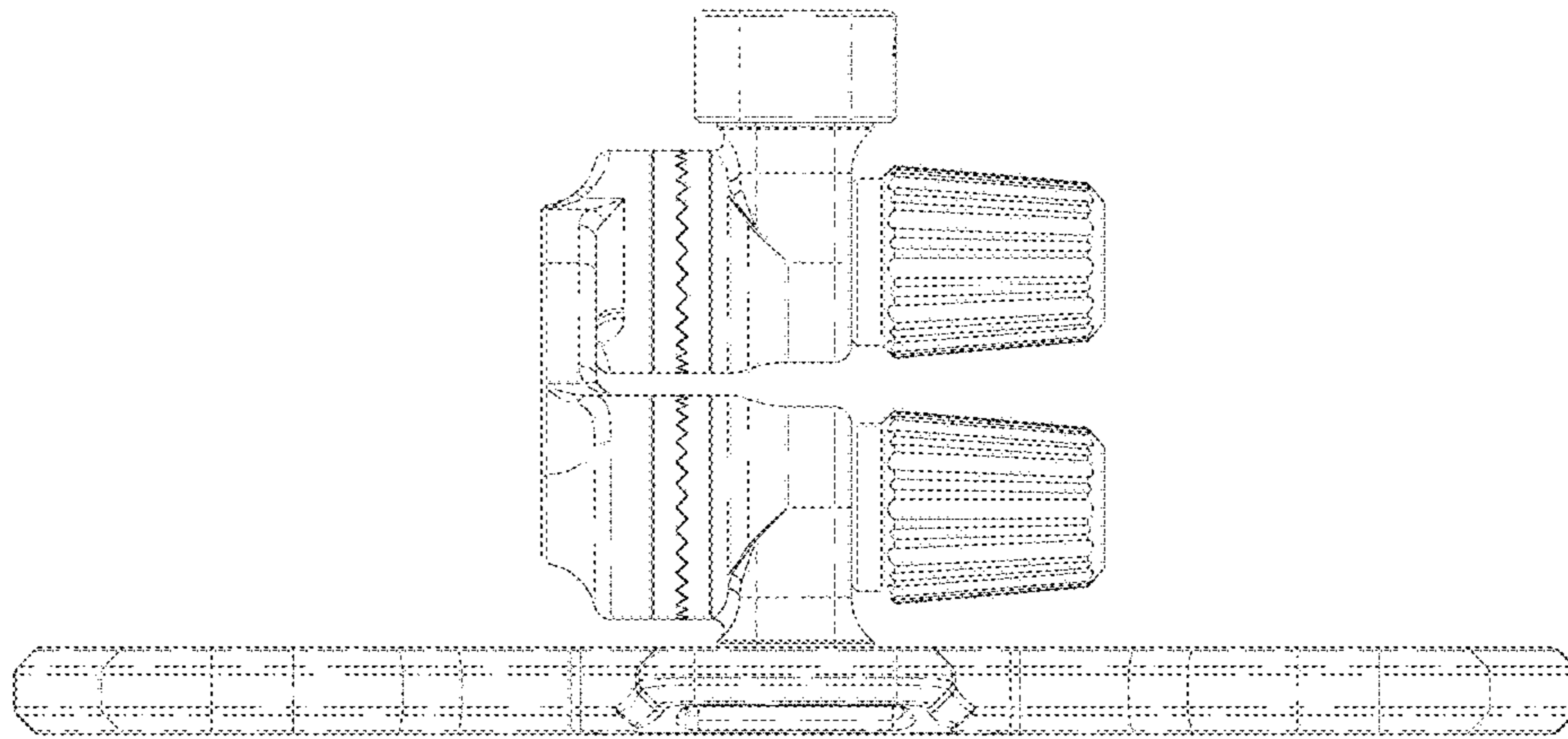


FIG. 2

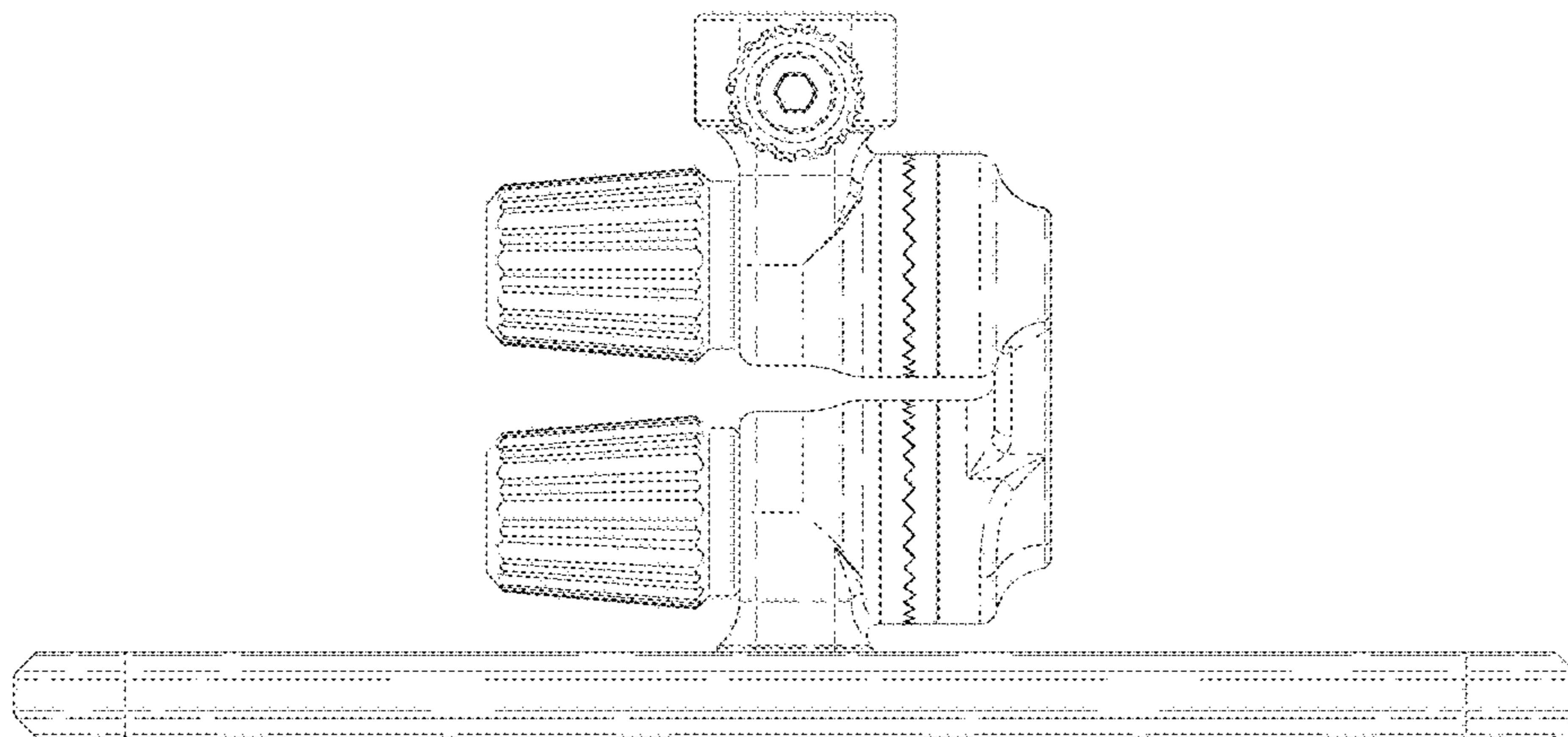


FIG. 3

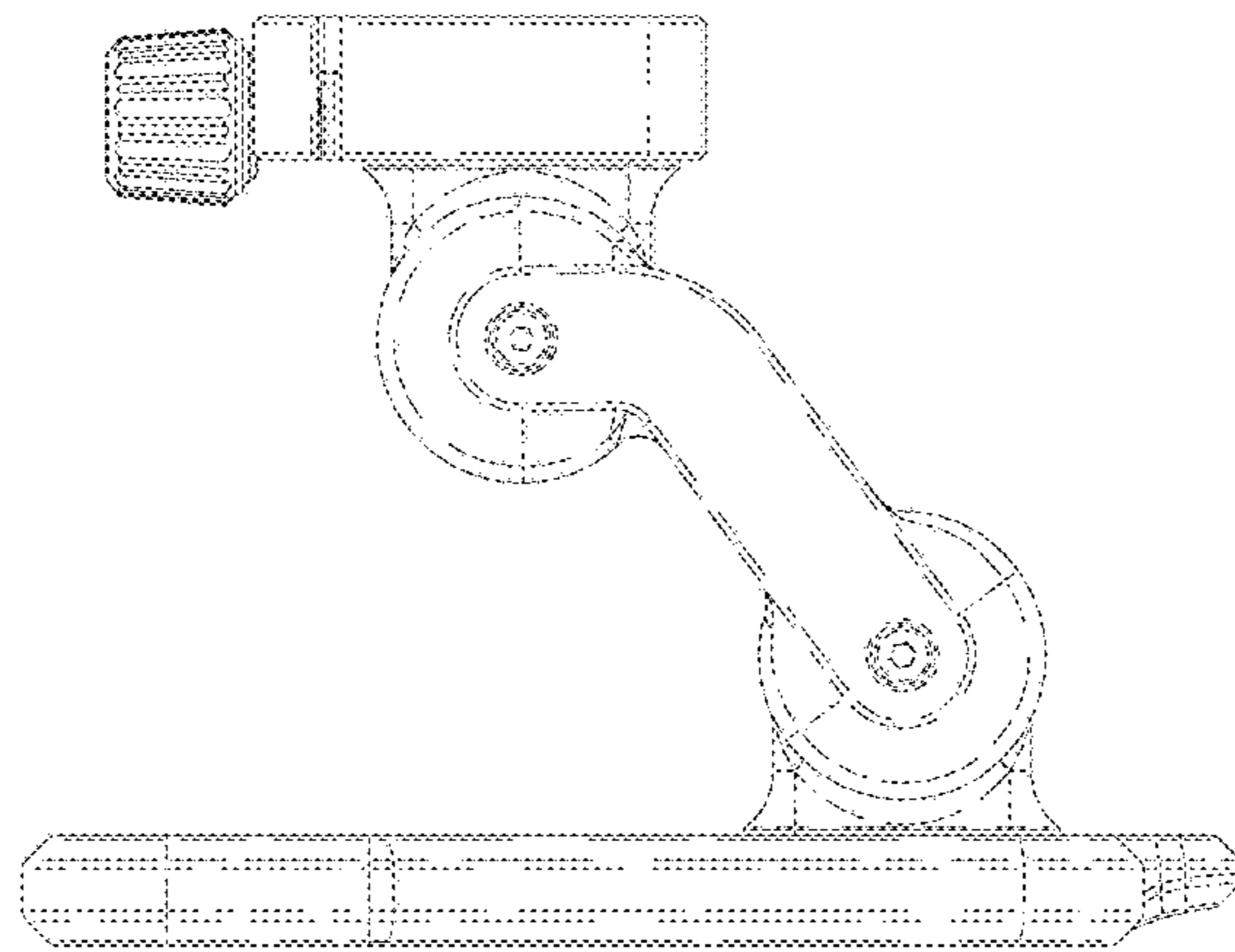


FIG. 4

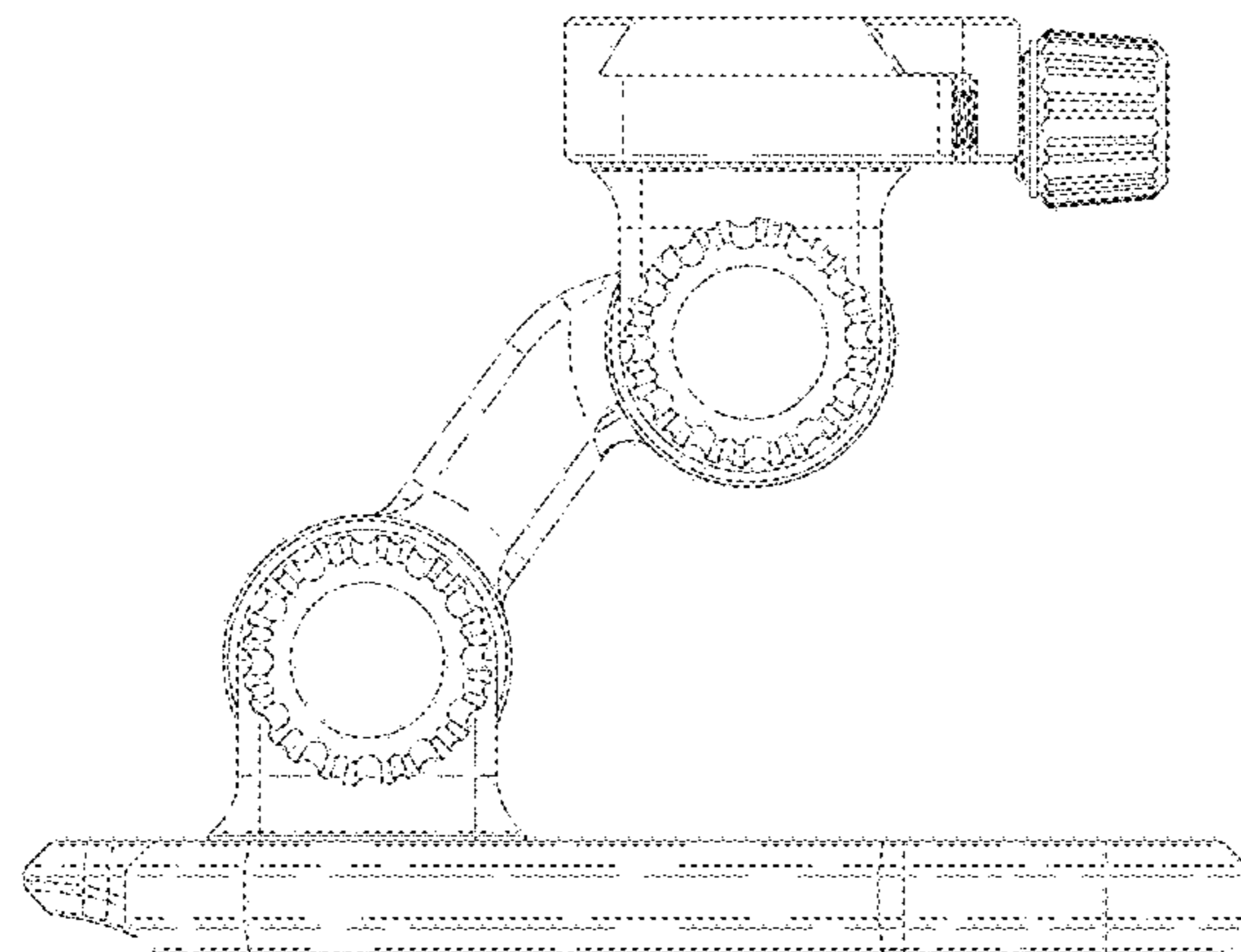


FIG. 5

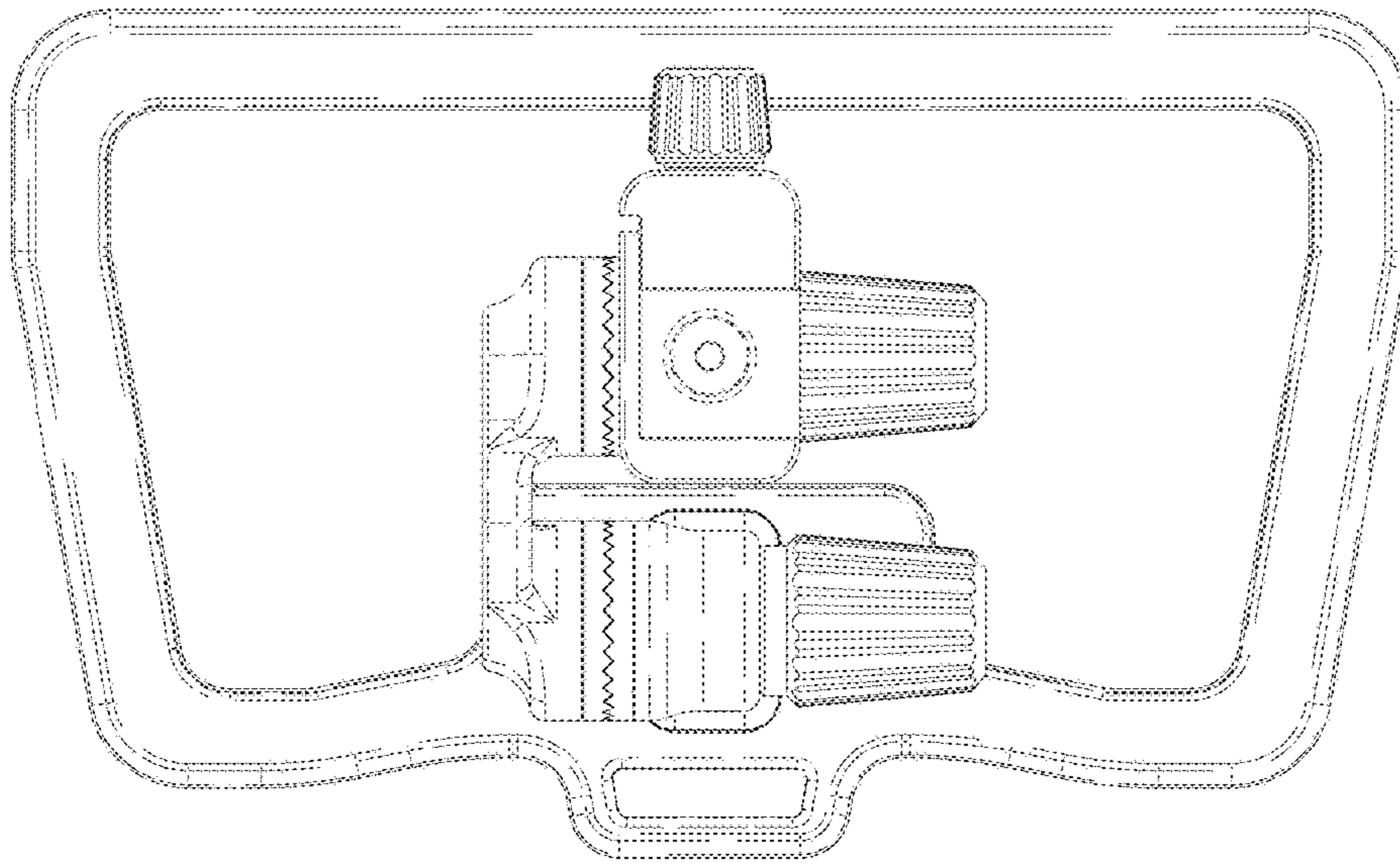


FIG. 6

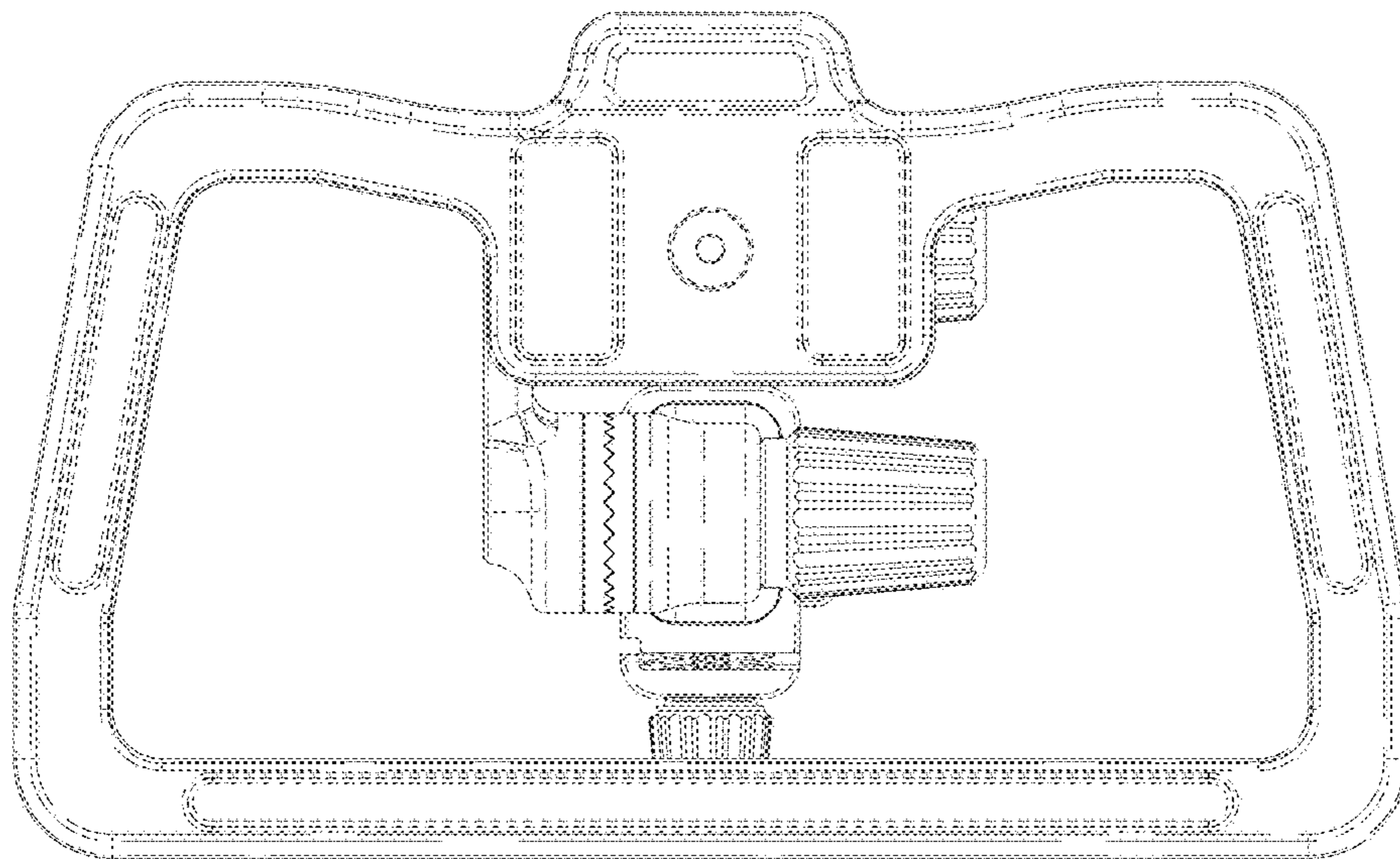


FIG. 7