

US00D861004S

(12) **United States Design Patent**  
**Navasardyan**

(10) **Patent No.:** **US D861,004 S**

(45) **Date of Patent:** **\*\* Sep. 24, 2019**

(54) **WALL MOUNTED ELECTRONIC DEVICE HOLDER**

(71) Applicant: **Artem Navasardyan**, Burbank, CA (US)

(72) Inventor: **Artem Navasardyan**, Burbank, CA (US)

(\*\*) Term: **15 Years**

(21) Appl. No.: **29/653,130**

(22) Filed: **Jun. 12, 2018**

(51) **LOC (12) Cl.** ..... **08-07**

(52) **U.S. Cl.**  
USPC ..... **D14/447**

(58) **Field of Classification Search**  
USPC ..... D14/447, 432, 434, 439, 440, 451, 452, D14/457, 239, 250, 253, 203.7, 336, 337; D8/363, 373, 380; D6/406.3, 406.4, D6/406.5, 406.6; D12/415; D21/330, D21/331; D3/218  
CPC ..... A47B 21/04; A47B 2097/006; A47B 2097/005; A47B 2023/049; A45C 2011/002; A45C 2011/003; F16M 2200/00; F16M 13/00  
See application file for complete search history.

(56) **References Cited**

**U.S. PATENT DOCUMENTS**

D664,547 S \* 7/2012 Bellair ..... D14/451  
D709,511 S \* 7/2014 Sparks ..... D14/447

D714,793 S \* 10/2014 Kim ..... D14/447  
D722,062 S \* 2/2015 Zwerner ..... D14/447  
D752,596 S \* 3/2016 Choi ..... D14/447  
D754,668 S \* 4/2016 Manabe ..... D14/447  
D778,105 S \* 2/2017 Coffey, Jr. .... D14/447  
D778,283 S \* 2/2017 Tsai ..... D14/447  
D784,999 S \* 4/2017 Cutler ..... D14/447  
D795,265 S \* 8/2017 Li ..... D14/447  
D800,734 S \* 10/2017 Lewis ..... D14/447  
D811,414 S \* 2/2018 Lee ..... D14/447  
D842,305 S \* 3/2019 Gao ..... D14/447

\* cited by examiner

*Primary Examiner* — Angela J Lee

(74) *Attorney, Agent, or Firm* — Bruce A. Lev

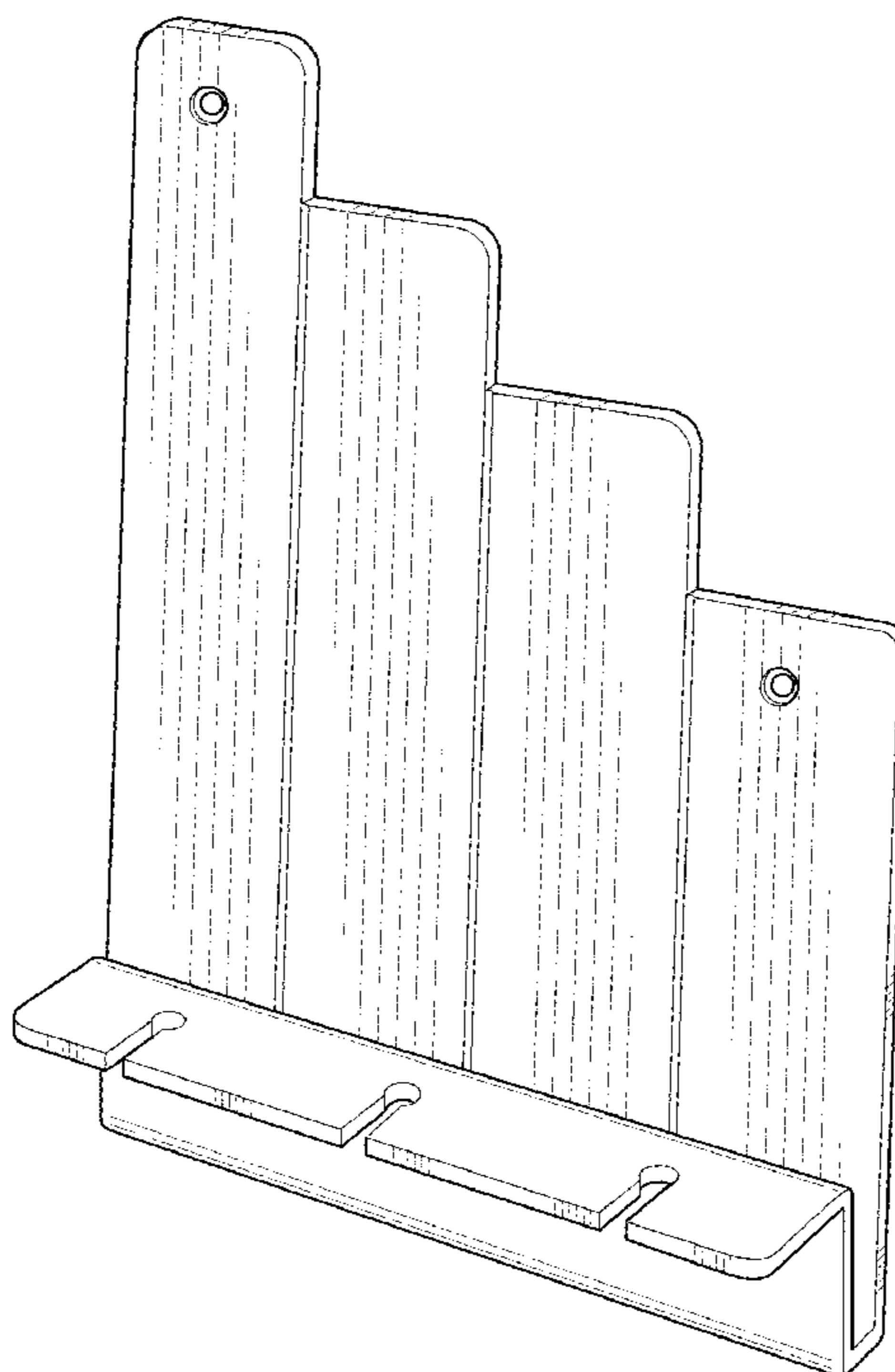
(57) **CLAIM**

The ornamental design for a wall mounted electronic device holder, as shown and described.

**DESCRIPTION**

FIG. 1 is a front perspective view of the wall mounted electronic device holder showing my new design;  
FIG. 2 is a front perspective view thereof, holding an electronic device;  
FIG. 3 is a front elevation view thereof;  
FIG. 4 is a rear elevation view thereof;  
FIG. 5 is a bottom plan view thereof;  
FIG. 6 is a top plan view thereof;  
FIG. 7 is a right side view thereof; and,  
FIG. 8 is a left side view thereof.  
Broken lines are included for depicting environmental subject matter and form no part of the claimed design.

**1 Claim, 4 Drawing Sheets**



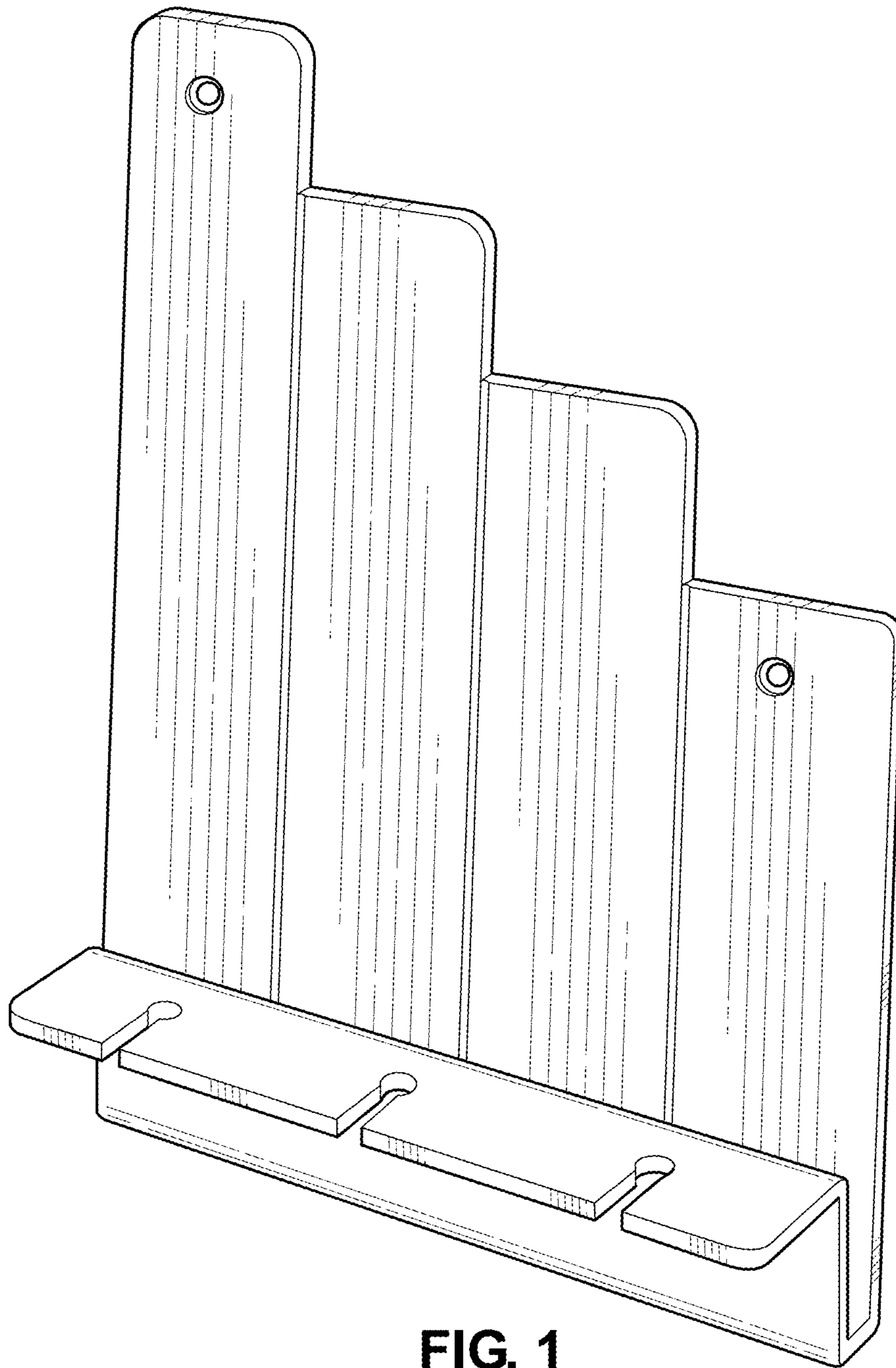


FIG. 1

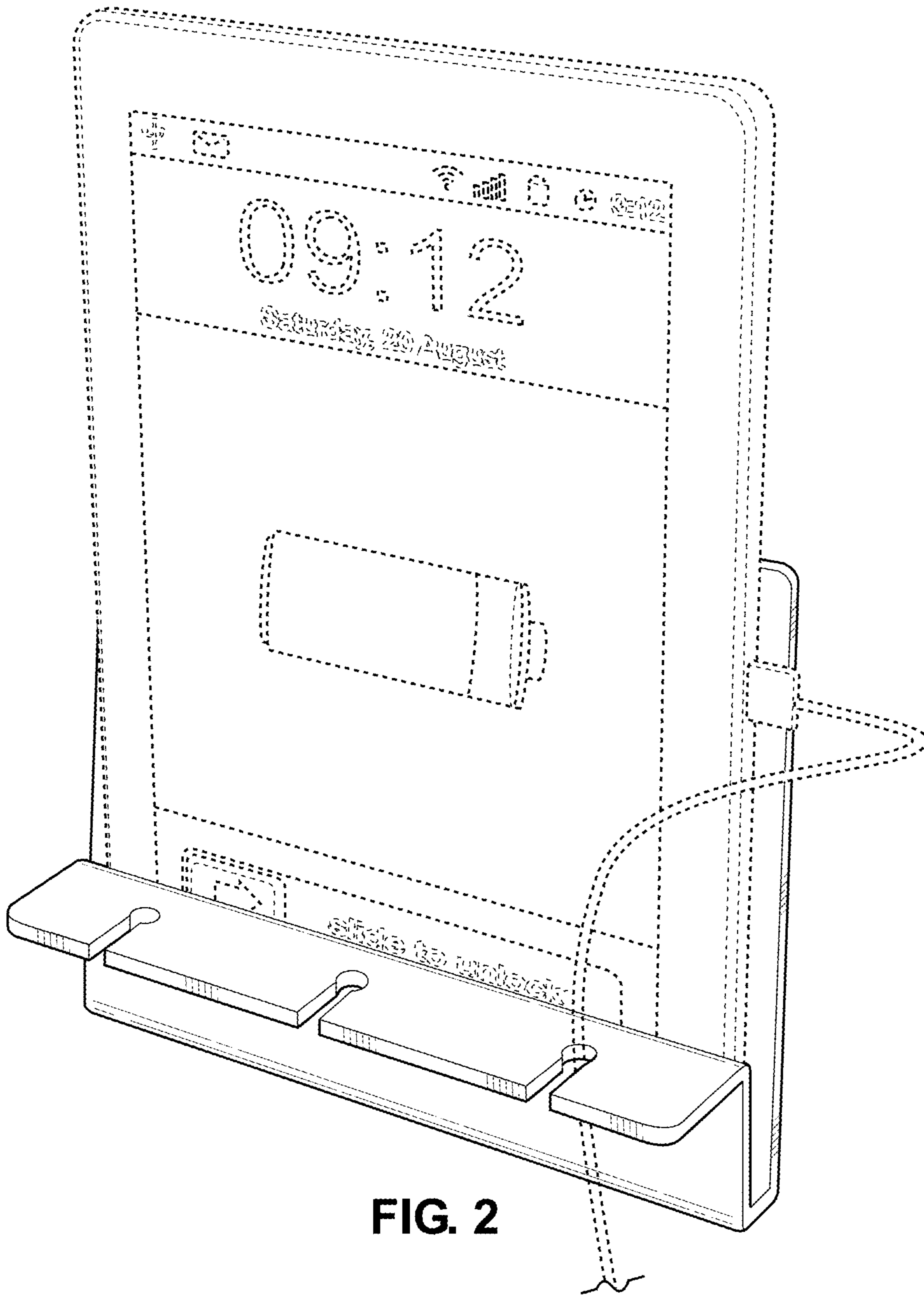


FIG. 2

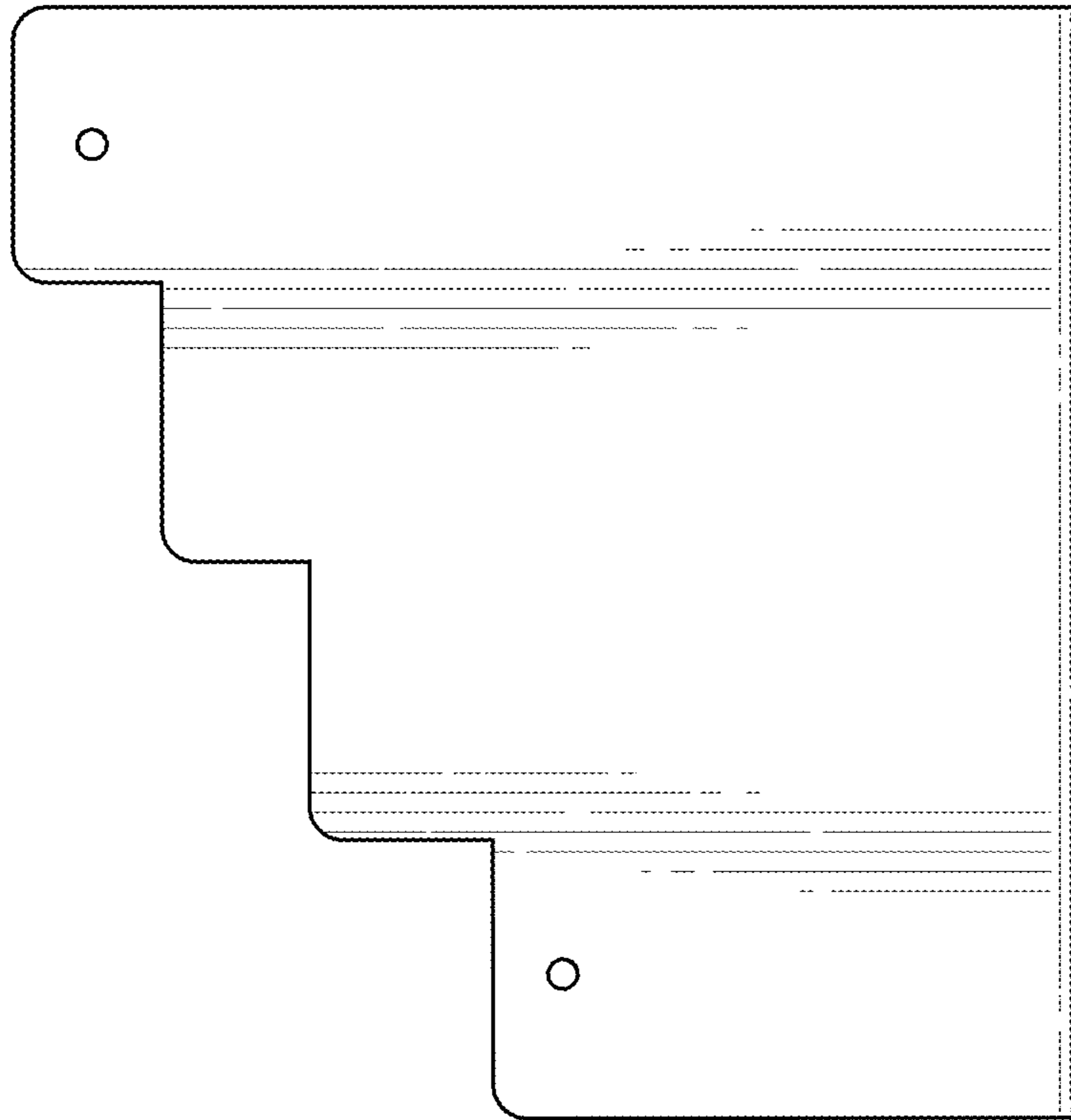


FIG. 4

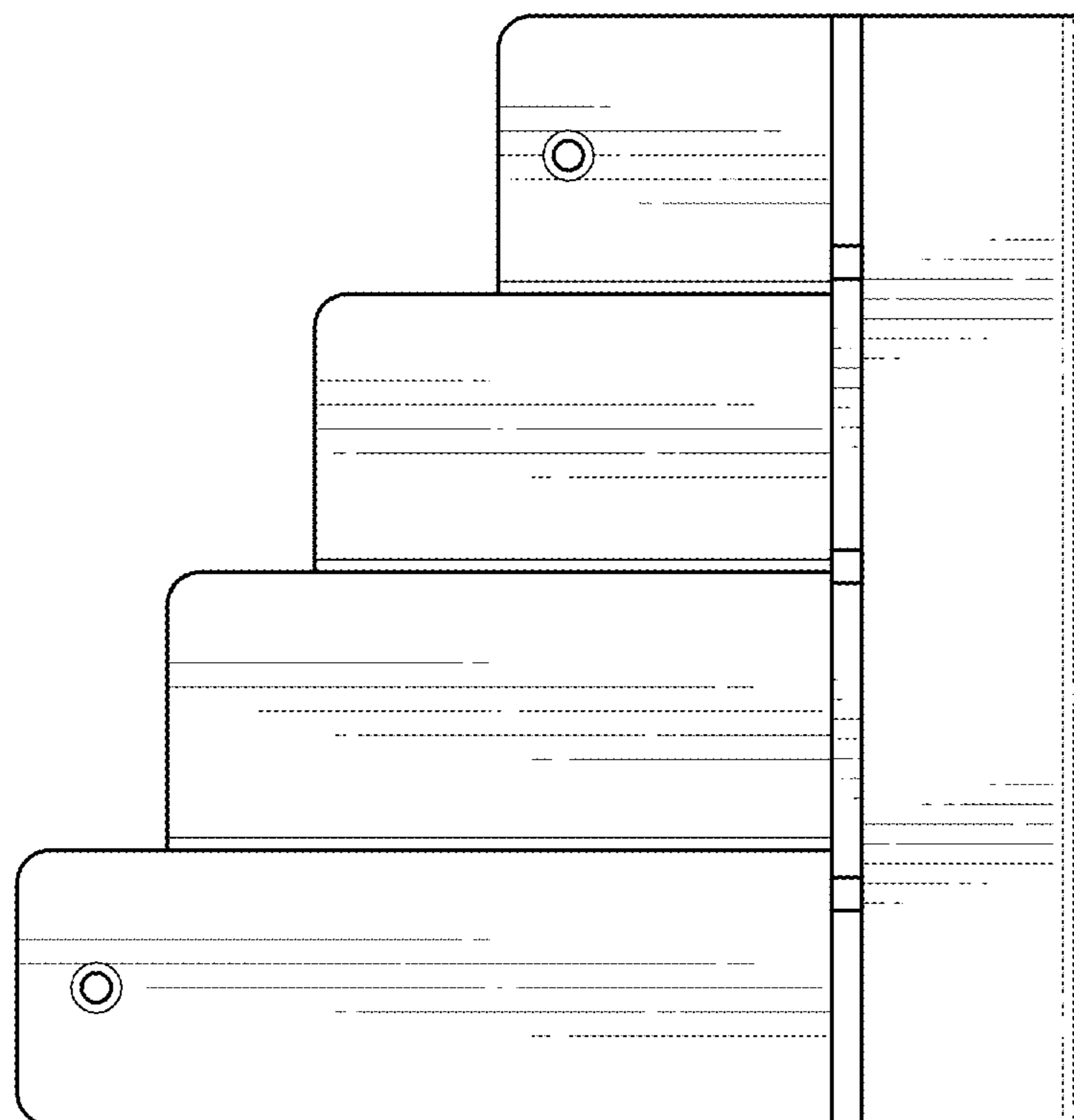


FIG. 3

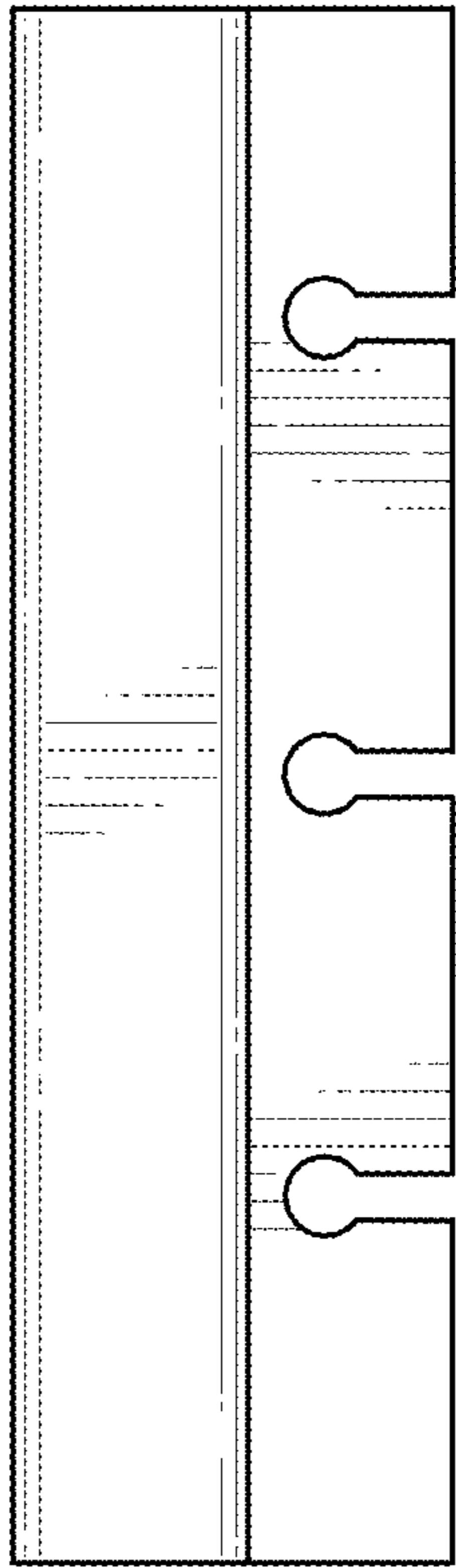


FIG. 5

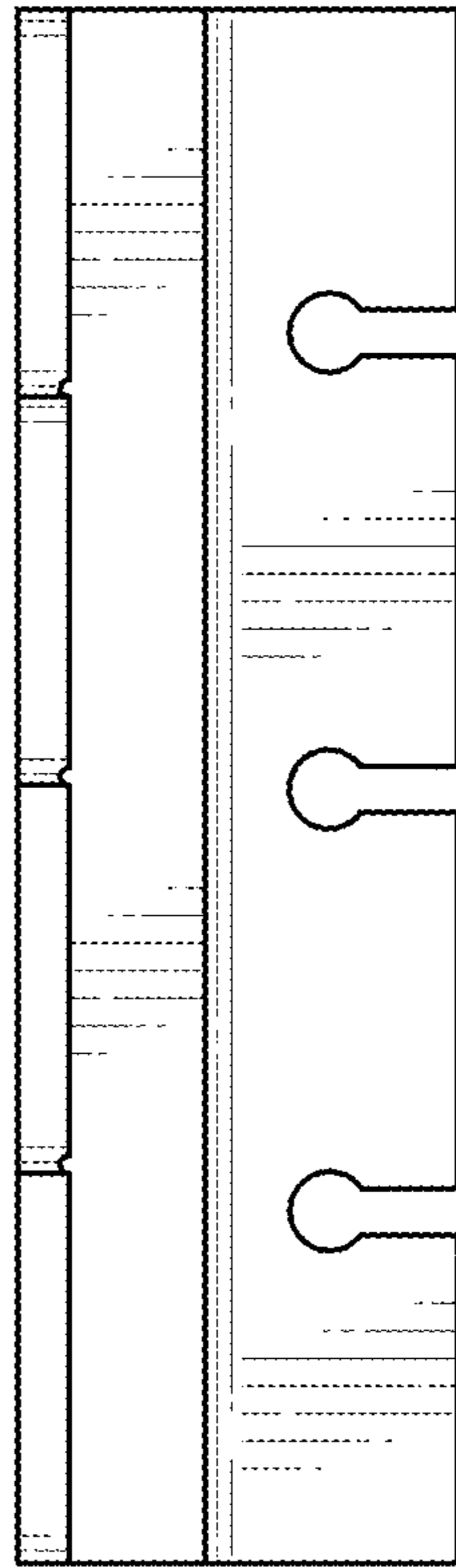


FIG. 6

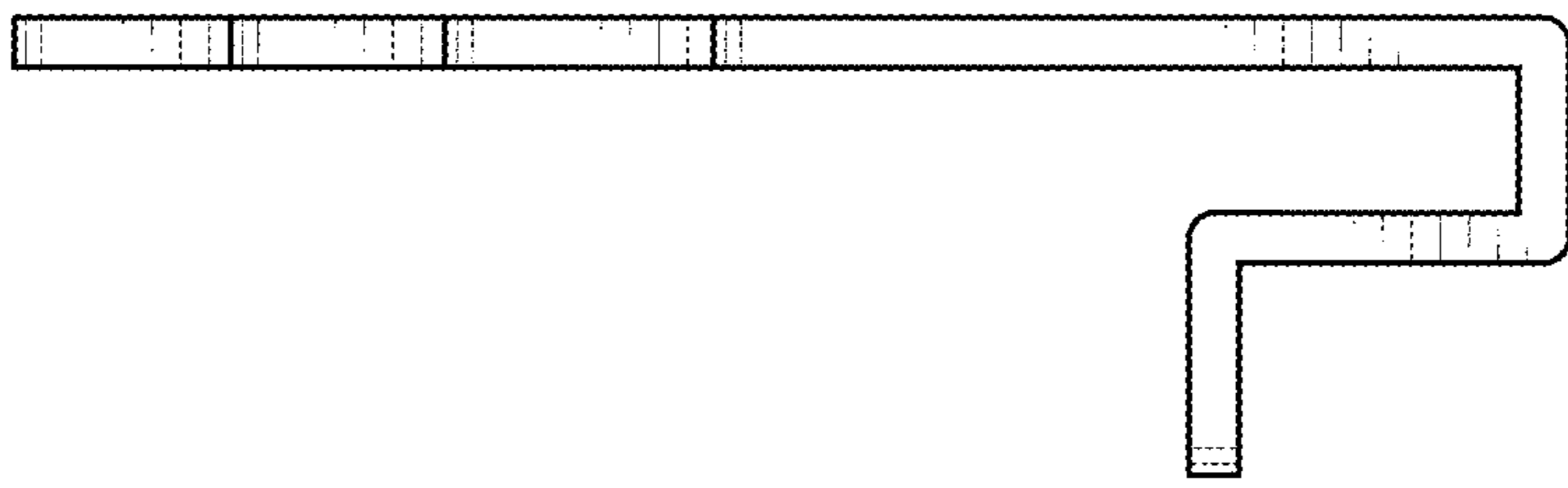


FIG. 7

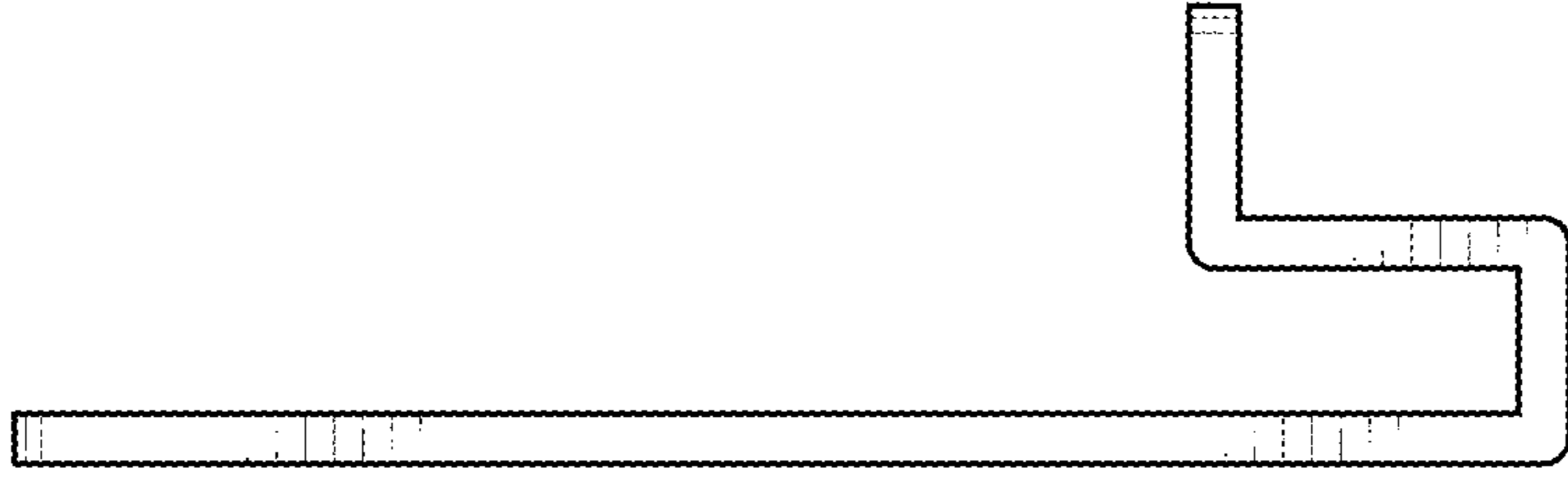


FIG. 8