



US00D861002S

(12) **United States Design Patent**
Bergeron-Mirsky et al.

(10) **Patent No.:** **US D861,002 S**

(45) **Date of Patent:** **** Sep. 24, 2019**

(54) **DISPLAY STAND**

(71) Applicant: **Apple Inc.**, Cupertino, CA (US)

(72) Inventors: **William Joseph Bergeron-Mirsky**,
Cupertino, CA (US); **David Kahl**
Peschel, San Carlos, CA (US)

(73) Assignee: **Apple Inc.**, Cupertino, CA (US)

(**) Term: **15 Years**

(21) Appl. No.: **29/630,858**

(22) Filed: **Dec. 22, 2017**

Related U.S. Application Data

(63) Continuation of application No. 29/590,463, filed on
Jan. 10, 2017, now Pat. No. Des. 808,965.

(51) **LOC (12) Cl.** **14-02**

(52) **U.S. Cl.**
USPC **D14/447**; D14/251; D6/675.3

(58) **Field of Classification Search**

USPC D14/434, 455, 457, 447, 238–238.1,
D14/251–253; D13/107–108, 139.5;
D8/381, 354–355; D6/672–673, 675,
D6/675.3, 678, 678.2, 680.2, 681, 681.2,
D6/682–682.1

CPC F16M 11/04; F16M 11/18; F16M 2200/00;
F16M 13/00; F16M 13/02; A47F 5/00;
A47F 5/16; A47F 7/022; A47F 7/0042

See application file for complete search history.

(56) **References Cited**

U.S. PATENT DOCUMENTS

D343,174 S * 1/1994 Watanabe D14/238
D384,877 S * 10/1997 Perrin D8/354
D592,188 S * 5/2009 Huang D14/217
D595,701 S * 7/2009 Chuang D14/238
D695,091 S * 12/2013 Nunez Farfan D8/354
D717,289 S * 11/2014 Takabatake D14/252

D751,564 S * 3/2016 Hahn D14/447
D756,367 S * 5/2016 Kim D14/447
D764,406 S * 8/2016 Uchida D13/108
D767,575 S * 9/2016 Green D14/447
D788,094 S * 5/2017 Kim D14/250
D788,780 S * 6/2017 Chen D14/447
D791,861 S * 7/2017 Battle D14/447

(Continued)

OTHER PUBLICATIONS

Archer, Tucker, Top 5 Best Apple Watch Stands & Charging Docks,
posted at Heavy, posting date Apr. 24, 2015. Site visited May 9,
2019. URL: <<https://heavy.com/tech/2015/04/top-best-apple-watch-charging-docks/>> (Year: 2015).*

Primary Examiner — Kevin K Rudzinski

Assistant Examiner — Kathleen L Jones

(74) *Attorney, Agent, or Firm* — Sterne, Kessler,
Goldstein & Fox P.L.L.C.

(57) **CLAIM**

The ornamental design for a display stand, as shown and
described.

DESCRIPTION

FIG. 1 is a top front perspective view of a display stand
showing the claimed design;

FIG. 2 is a top rear perspective view thereof;

FIG. 3 is a front view thereof;

FIG. 4 is a rear view thereof;

FIG. 5 is a left side view thereof;

FIG. 6 is a right side view thereof;

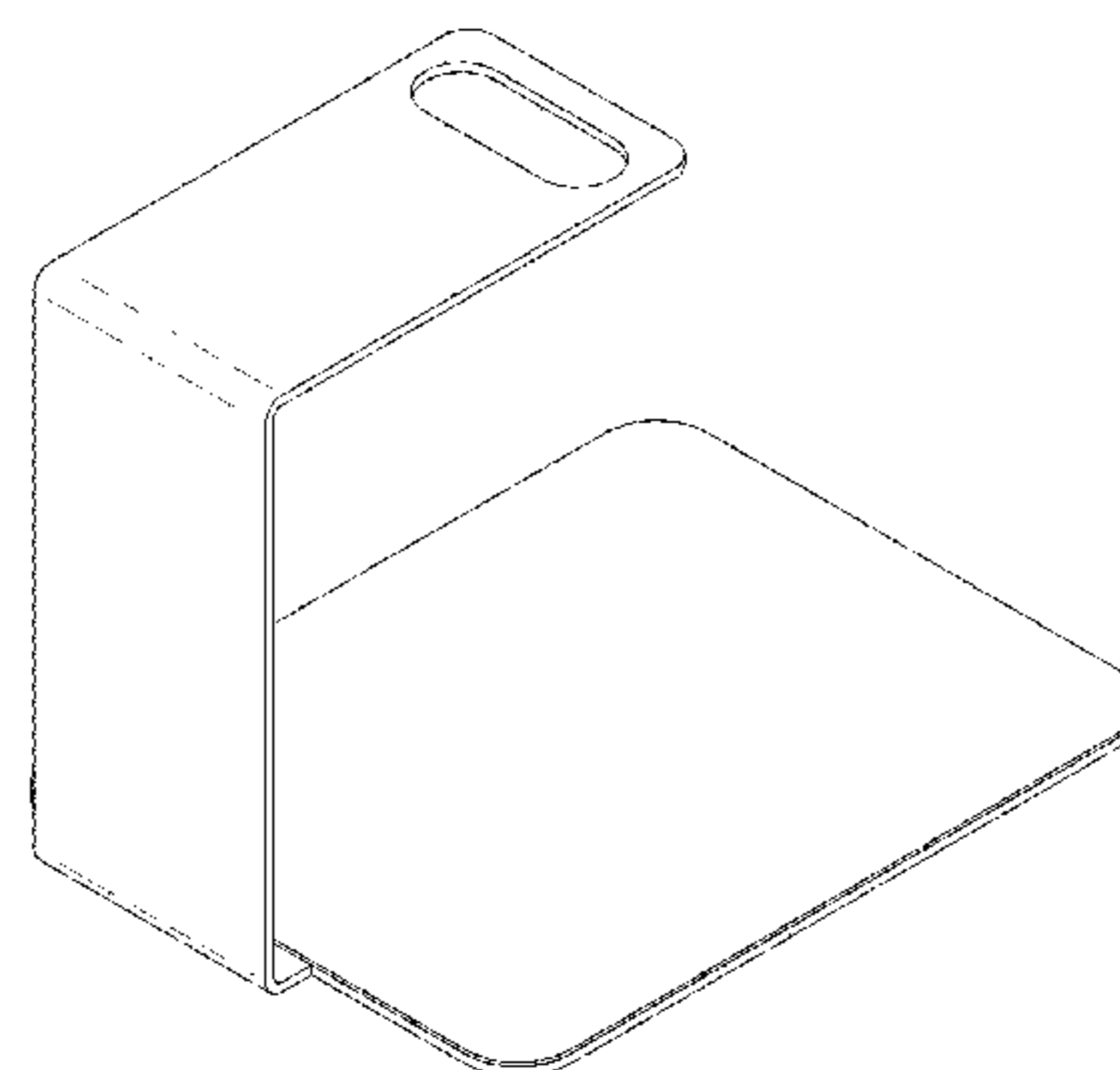
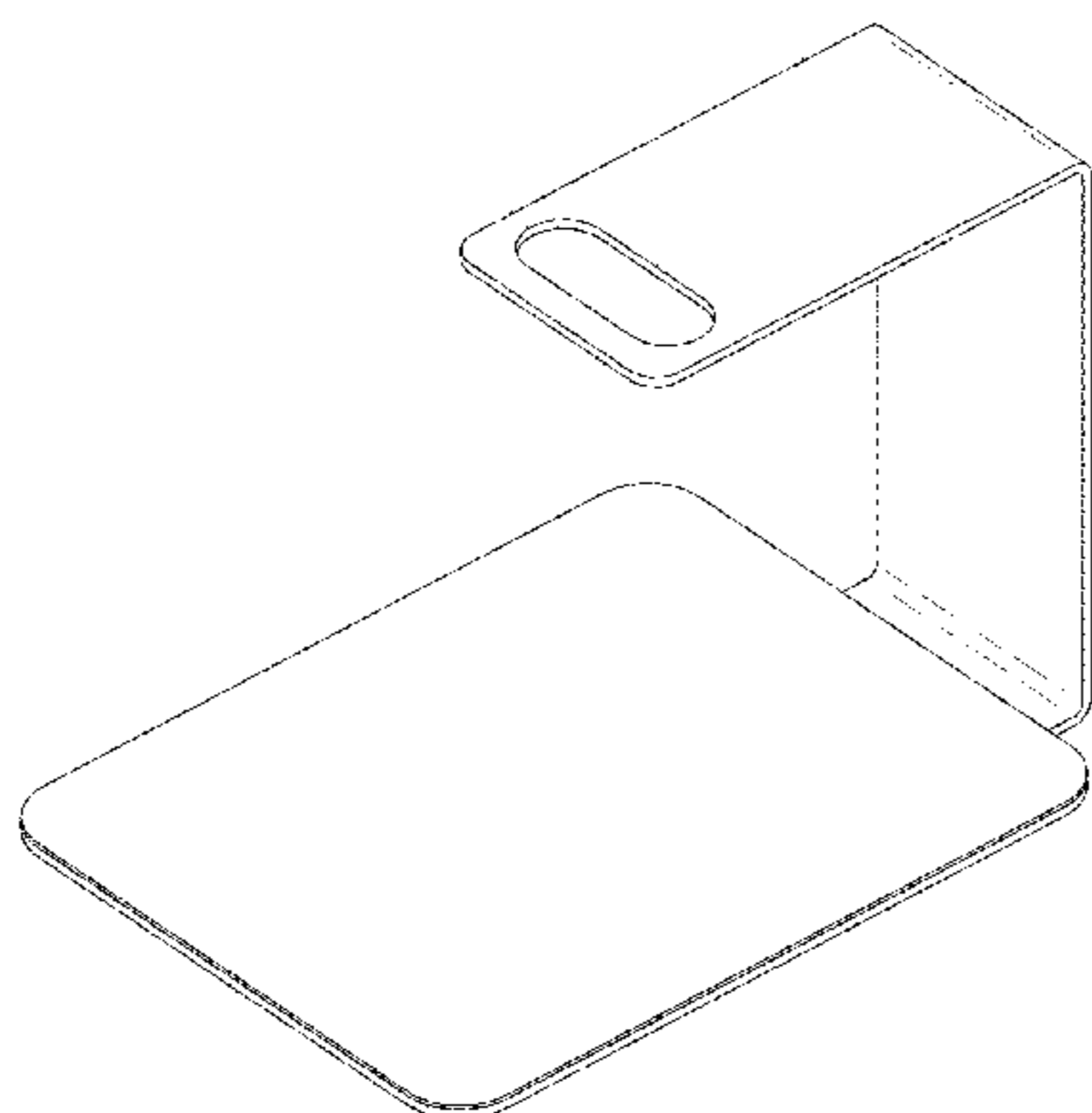
FIG. 7 is a top view thereof;

FIG. 8 is a bottom view thereof; and,

FIG. 9 is a top front perspective view thereof in an envi-
ronment in which it might be used.

The broken lines in the figures show portions of the display
stand or environment that form no part of the claimed
design.

1 Claim, 9 Drawing Sheets



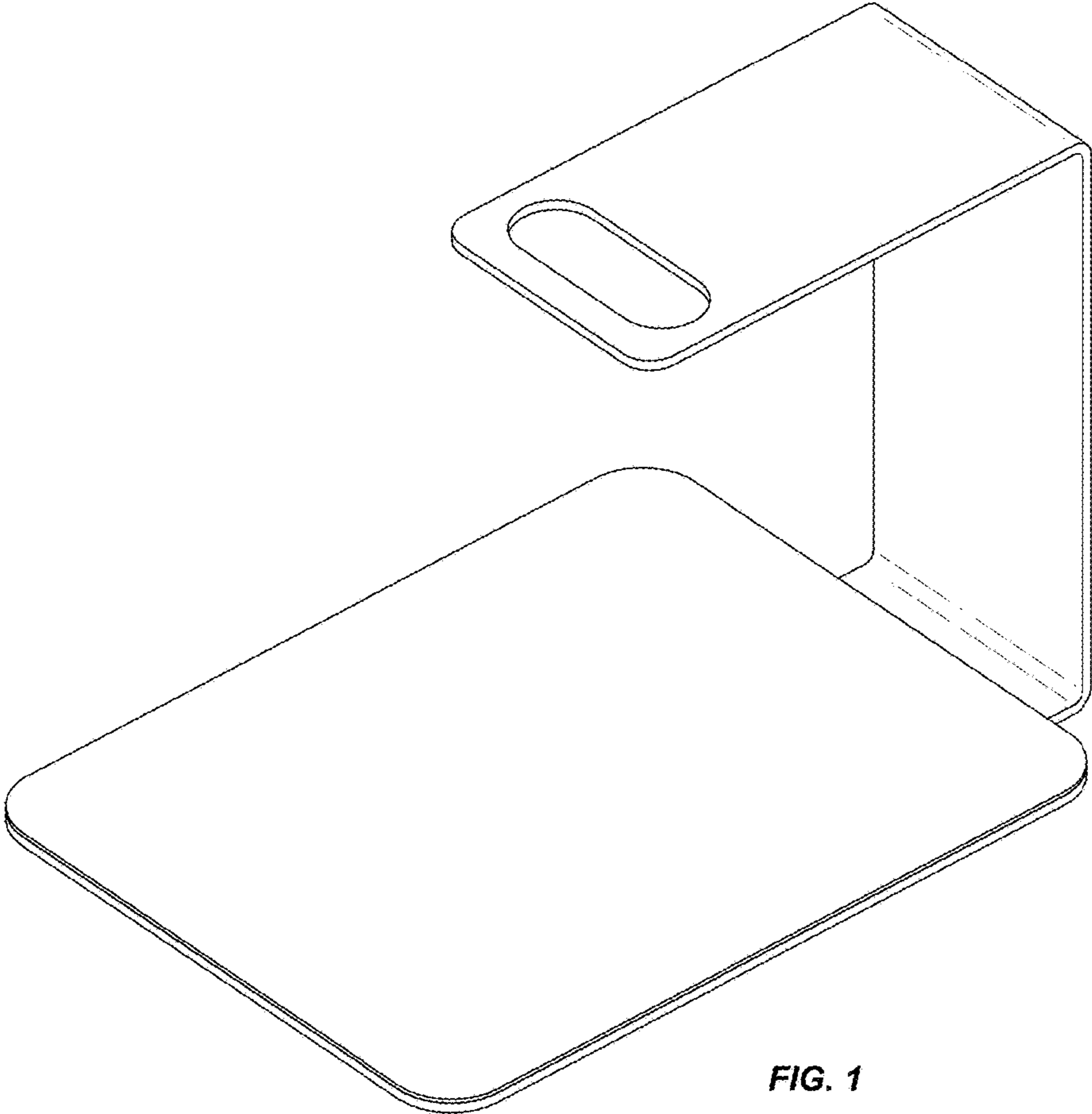
(56)

References Cited

U.S. PATENT DOCUMENTS

D798,871 S * 10/2017 Avganim D14/447
D799,463 S * 10/2017 Deng D14/252
D799,464 S * 10/2017 Zaihui D14/252
D800,733 S * 10/2017 Burns D14/447
D804,489 S * 12/2017 Burns D14/447
D816,027 S * 4/2018 Chen D13/108
D819,427 S * 6/2018 Mercaldi D8/354
D821,122 S * 6/2018 Wang D6/682
D829,725 S * 10/2018 Luo D14/447
D840,997 S * 2/2019 Chen D14/253
2012/0145835 A1 * 6/2012 Zaharakis F16M 11/22
248/65
2017/0223862 A1 * 8/2017 Justiss F16M 11/10
2017/0311736 A1 * 11/2017 Zheng A47F 7/00

* cited by examiner



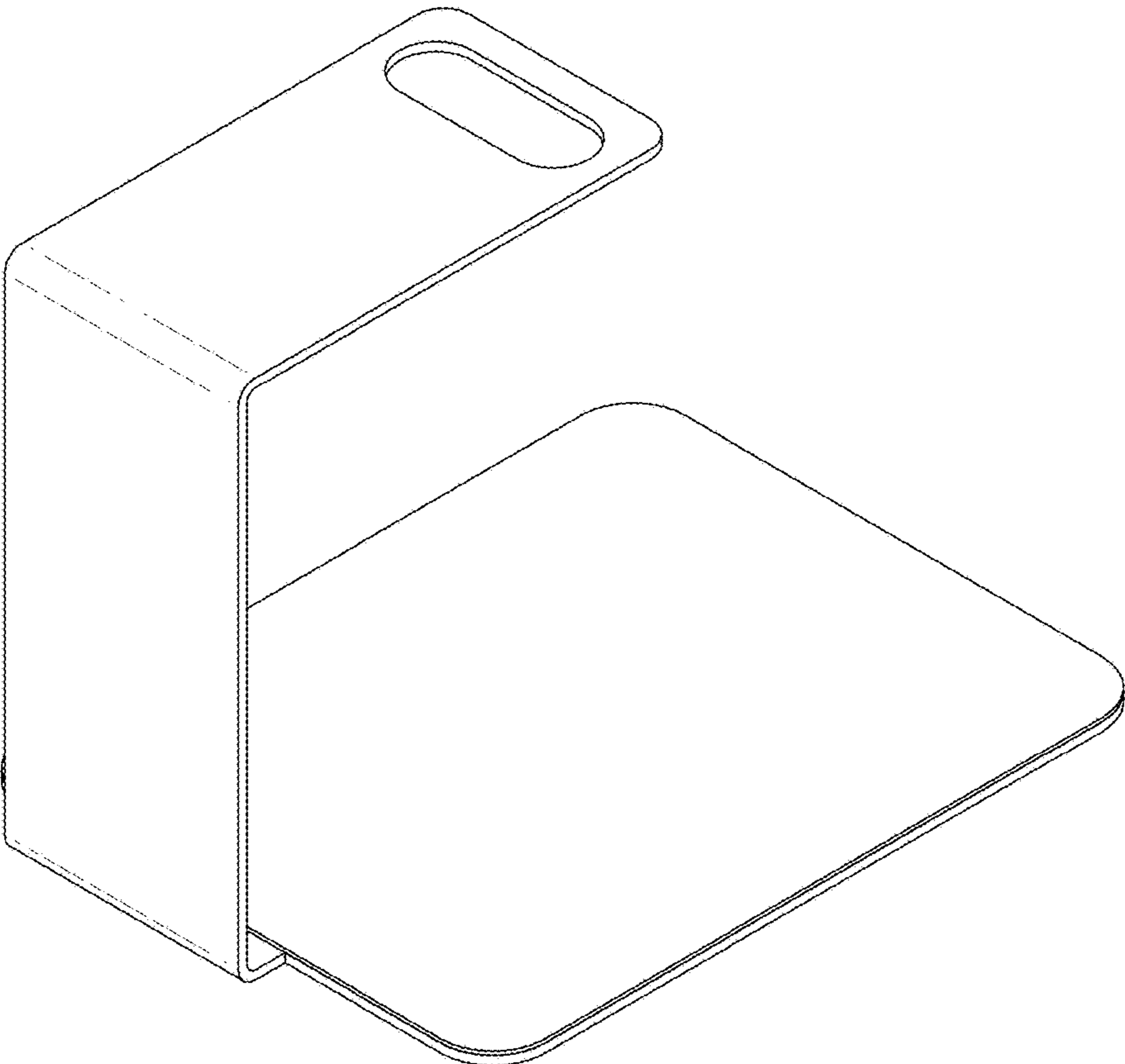


FIG. 2

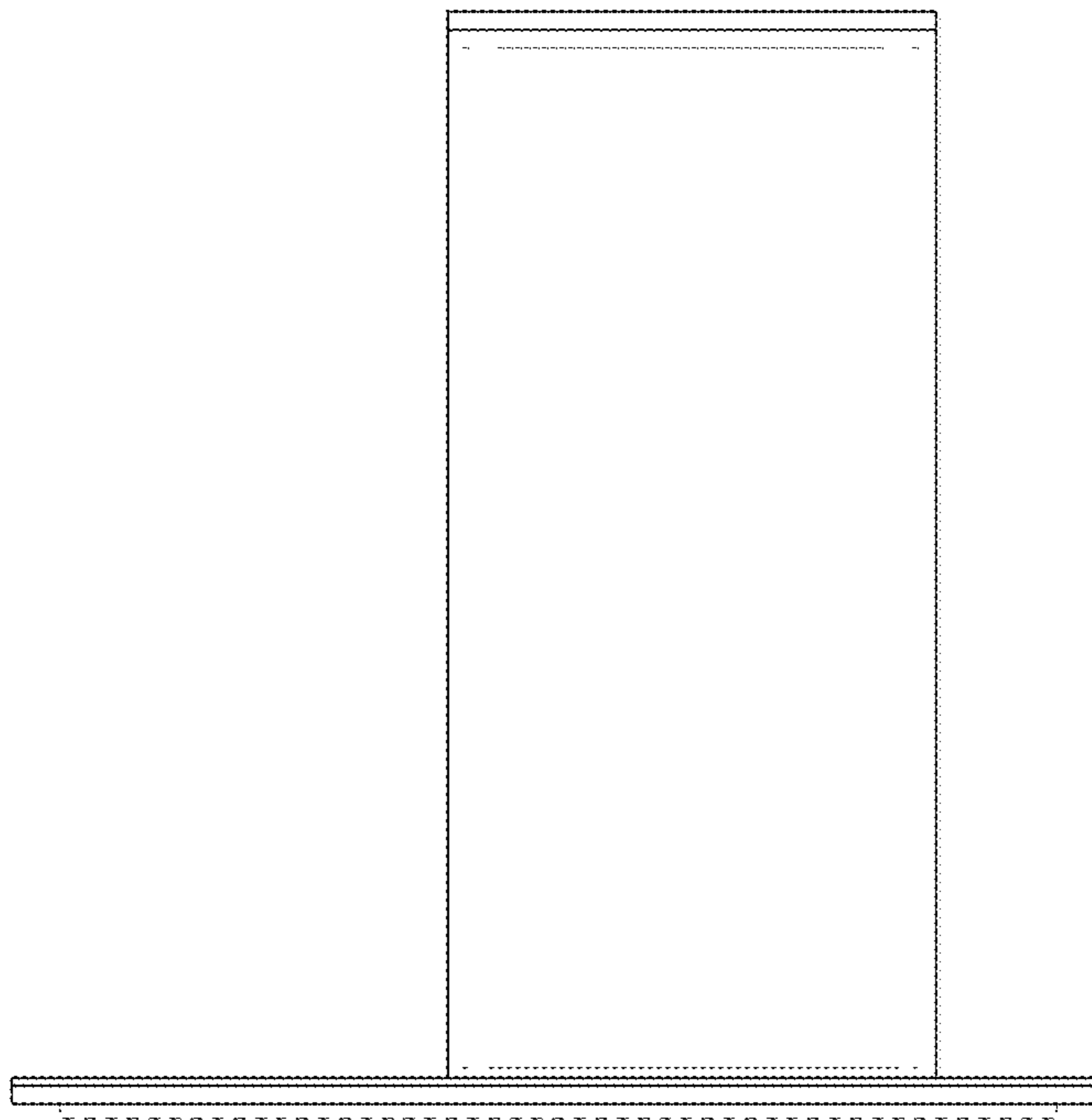


FIG. 3

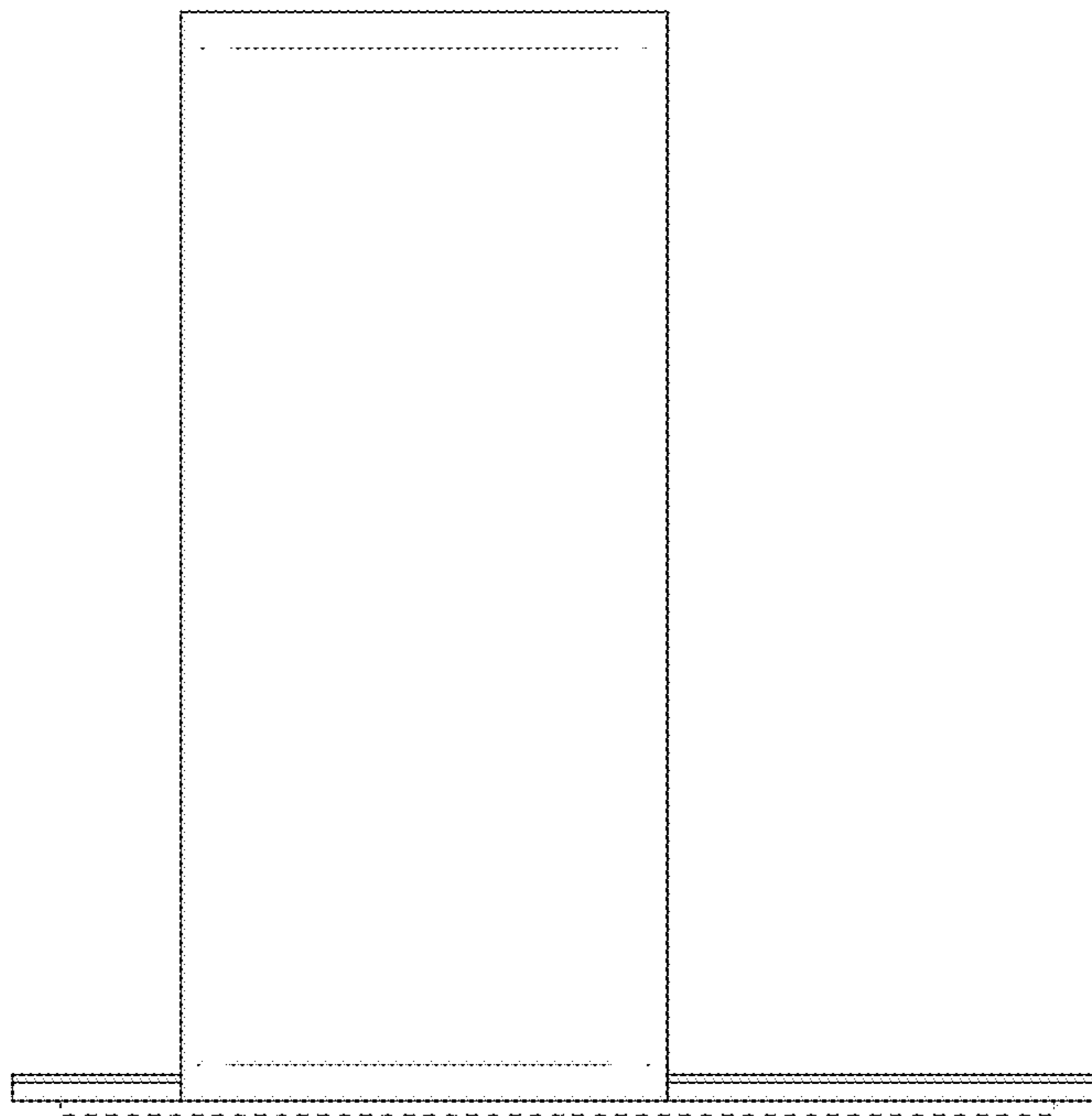


FIG. 4

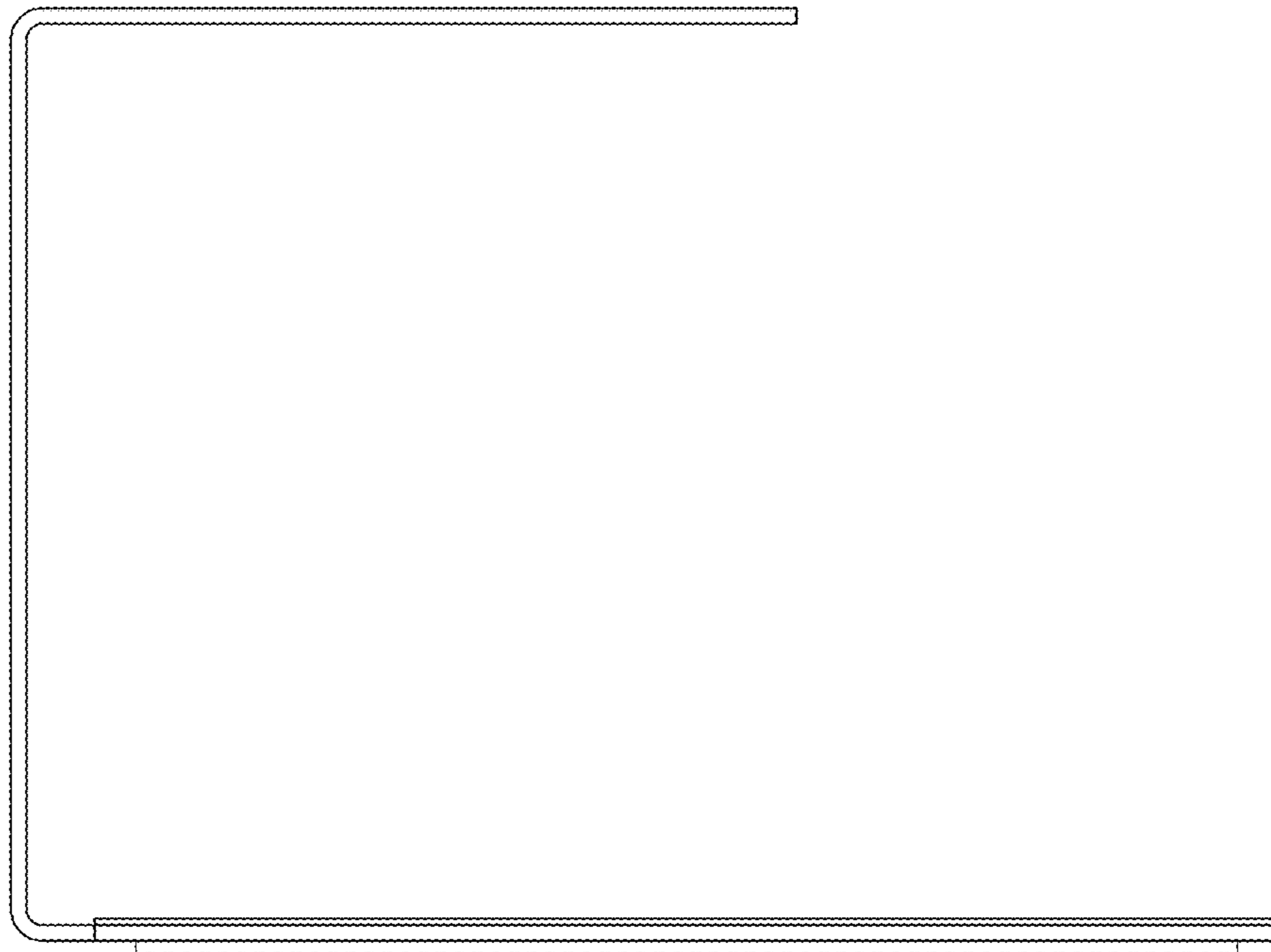


FIG. 5

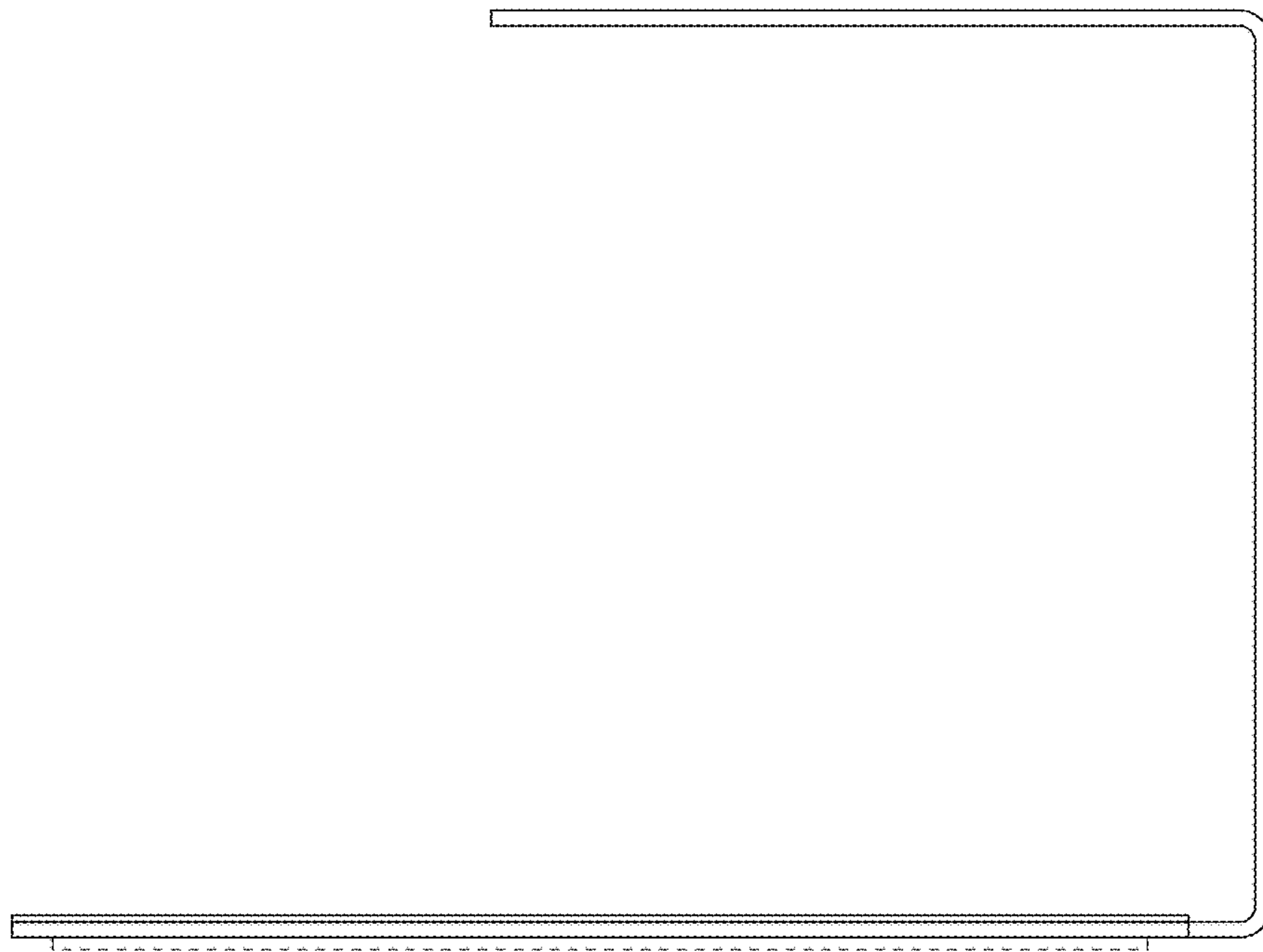


FIG. 6

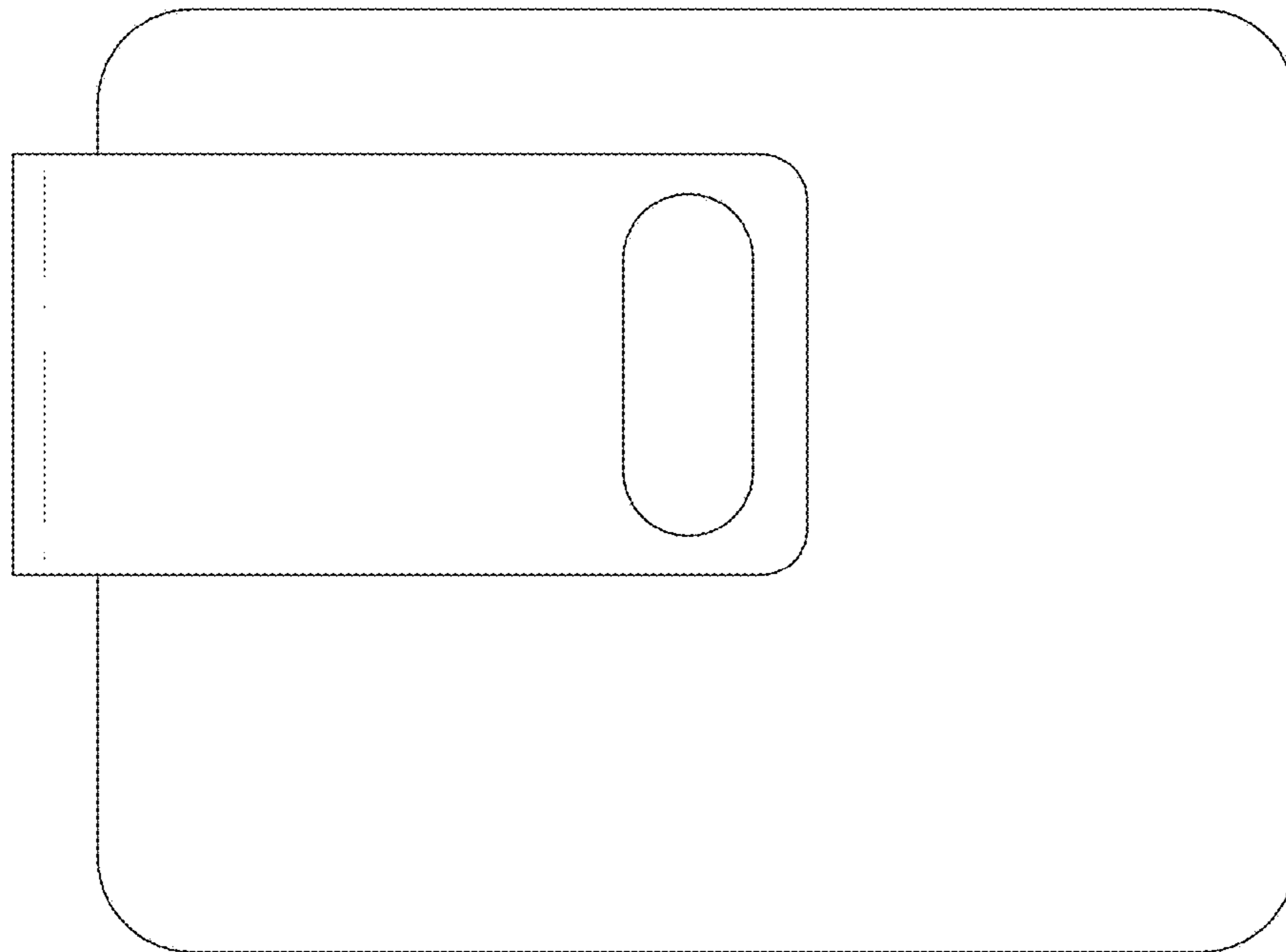


FIG. 7



FIG. 8

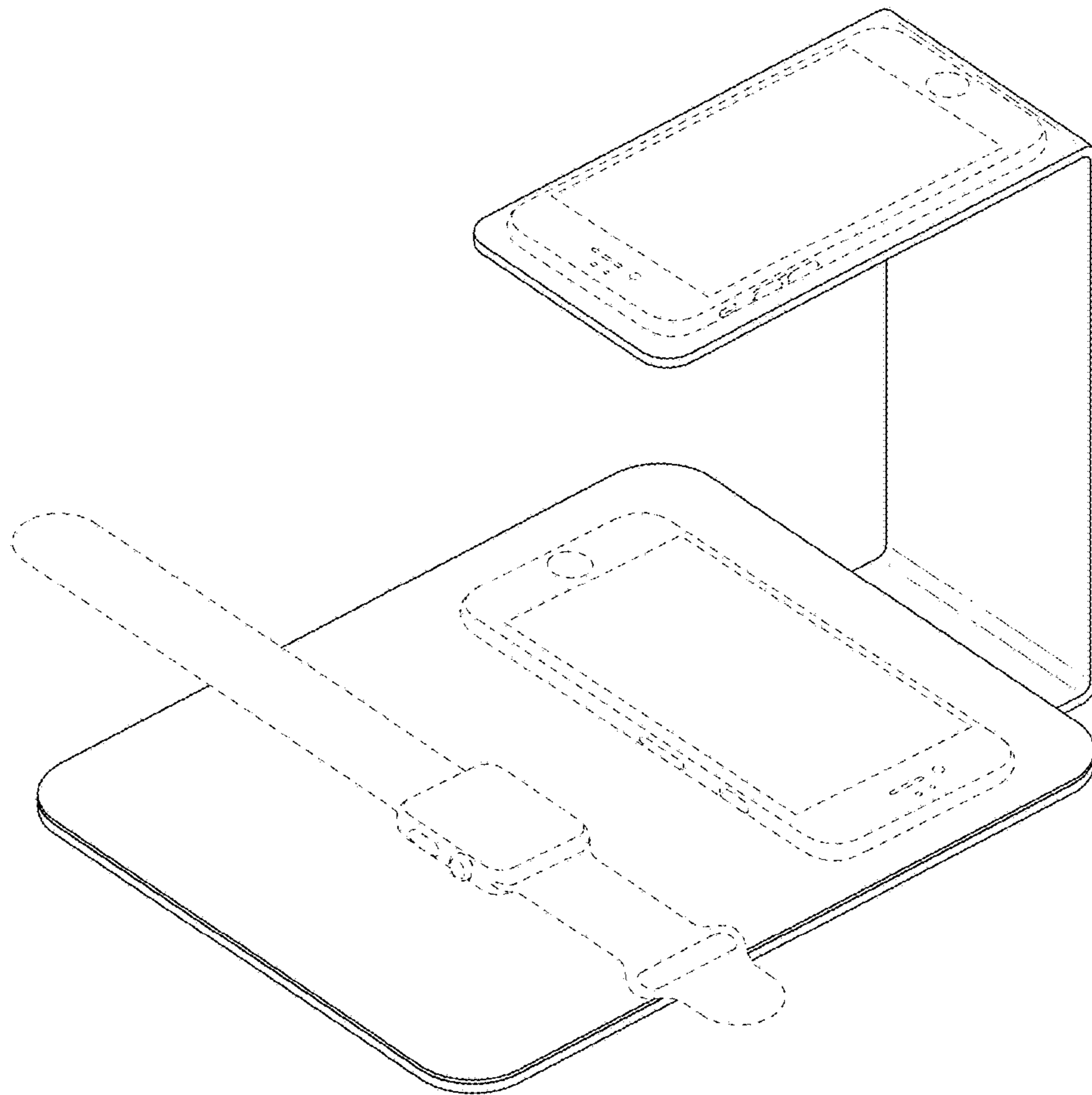


FIG. 9