



US00D861000S

(12) **United States Design Patent**
Zhao

(10) **Patent No.:** **US D861,000 S**

(45) **Date of Patent:** **** Sep. 24, 2019**

(54) **TABLET PC PROTECTION COVER WITH SEPARABLE TOP AND BOTTOM HALVES**

(71) Applicant: **Chenghe Zhao**, Dongguan (CN)

(72) Inventor: **Chenghe Zhao**, Dongguan (CN)

(**) Term: **15 Years**

(21) Appl. No.: **29/672,786**

(22) Filed: **Dec. 10, 2018**

(51) **LOC (12) Cl.** **14-02**

(52) **U.S. Cl.**
USPC **D14/440**

(58) **Field of Classification Search**
USPC D14/440, 250, 447; 206/45.23, 320,
206/45.2; 361/679.55; 294/25; 224/218
CPC ... G06F 1/1628; G06F 1/1626; A47B 23/044;
H04B 1/3888
See application file for complete search history.

(56) **References Cited**

U.S. PATENT DOCUMENTS

- D748,097 S * 1/2016 Feng D14/440
- D748,636 S * 2/2016 Zadvinskis D14/440
- D765,086 S * 8/2016 Lee D14/440
- D765,663 S * 9/2016 Shih D14/440
- D768,638 S * 10/2016 Lee D14/440
- D787,520 S * 5/2017 Wall D14/440
- D806,083 S * 12/2017 Armstrong D14/440
- D808,393 S * 1/2018 Moore D14/440
- D817,962 S * 5/2018 Shao D14/440
- D823,854 S * 7/2018 Enqvist D14/345
- D828,360 S * 9/2018 Moore D14/440

- D832,857 S * 11/2018 Jinkinson D14/440
- D837,794 S * 1/2019 Chan D14/440
- 2013/0015088 A1* 1/2013 Wu A45C 11/00
206/320
- 2016/0011628 A1* 1/2016 Sato G06F 1/1656
361/679.3

* cited by examiner

Primary Examiner — Cynthia R Underwood

(57) **CLAIM**

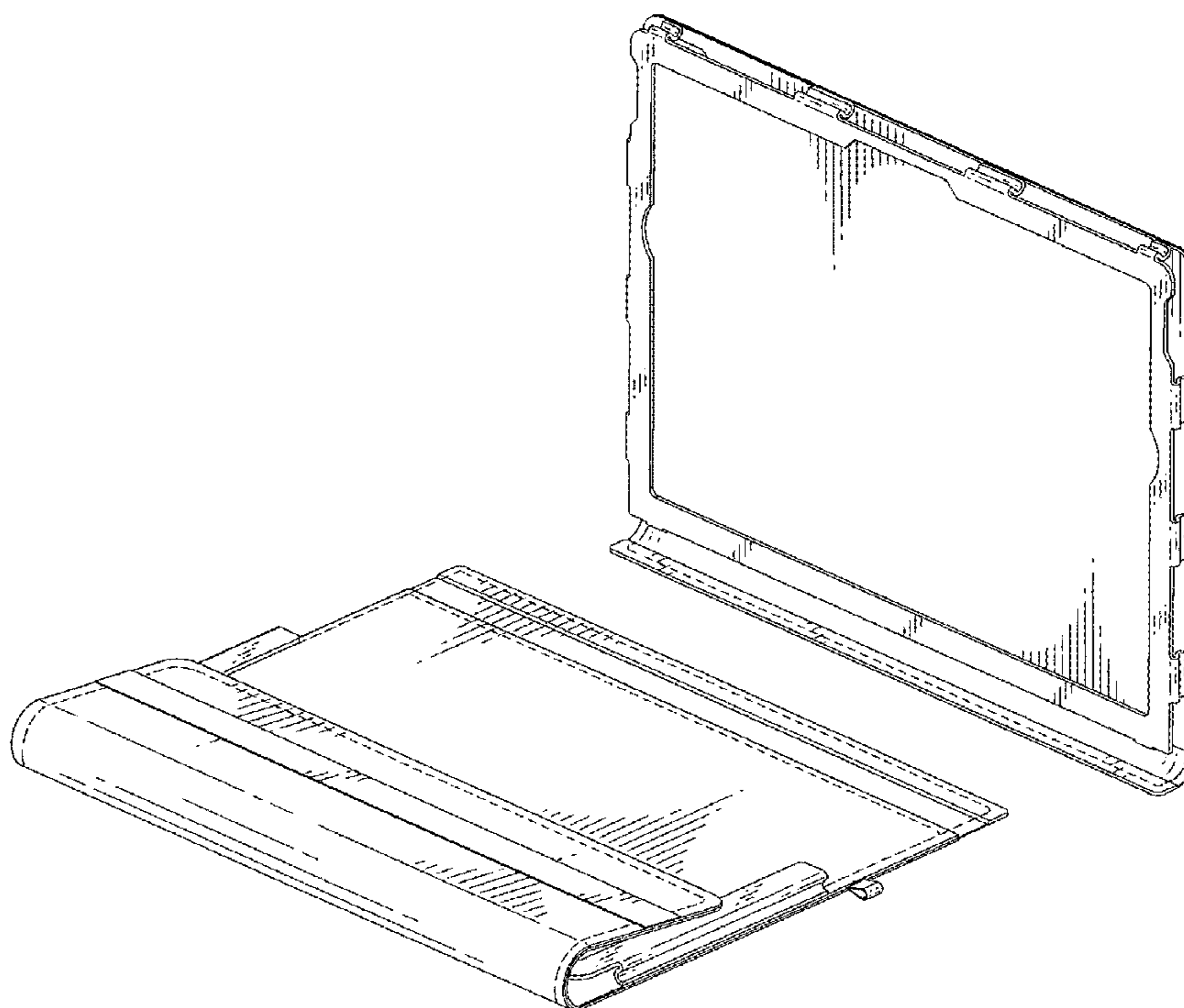
The ornamental design for a tablet PC protection cover with separable top and bottom halves, as shown and described.

DESCRIPTION

FIG. 1 is a front and bottom perspective view of a tablet PC protection cover with separable top and bottom halves;
 FIG. 2 is a front elevational view of thereof;
 FIG. 3 is a rear elevational view thereof;
 FIG. 4 is a left side elevational view thereof;
 FIG. 5 is a right side elevational view thereof;
 FIG. 6 is a top plan view thereof;
 FIG. 7 is a bottom plan view thereof;
 FIG. 8 is a front and top perspective view thereof shown in an open position;
 FIG. 9 is a front and top perspective view thereof shown with the top separated from the bottom;
 FIG. 10 is a perspective view showing the top half separated from the bottom half; and,
 FIG. 11 is a rear and bottom perspective view with the strap engaged.

In the drawings, the broken lines illustrate portions of the article that form no part of the claimed design.

1 Claim, 9 Drawing Sheets



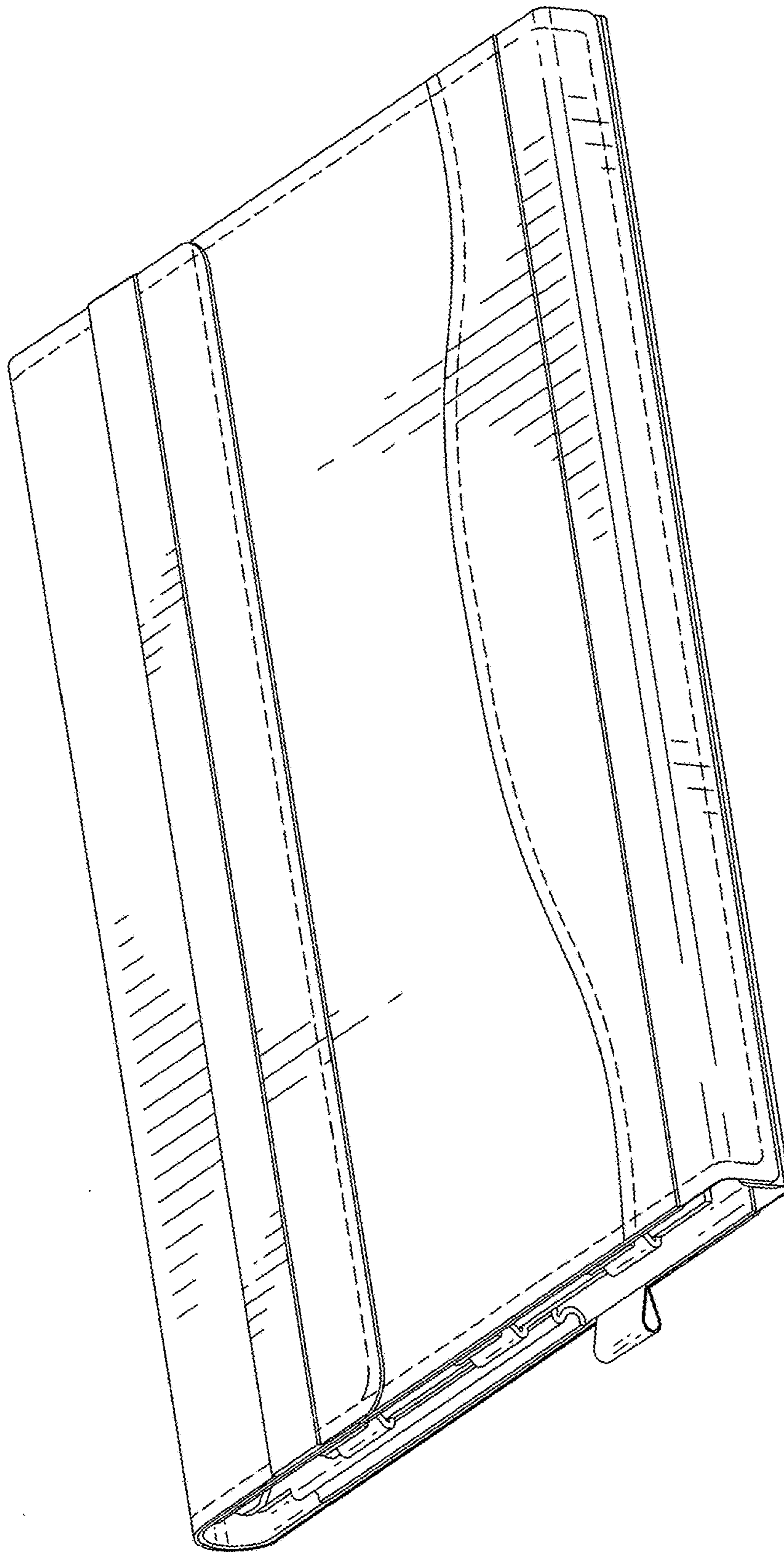


FIG.1

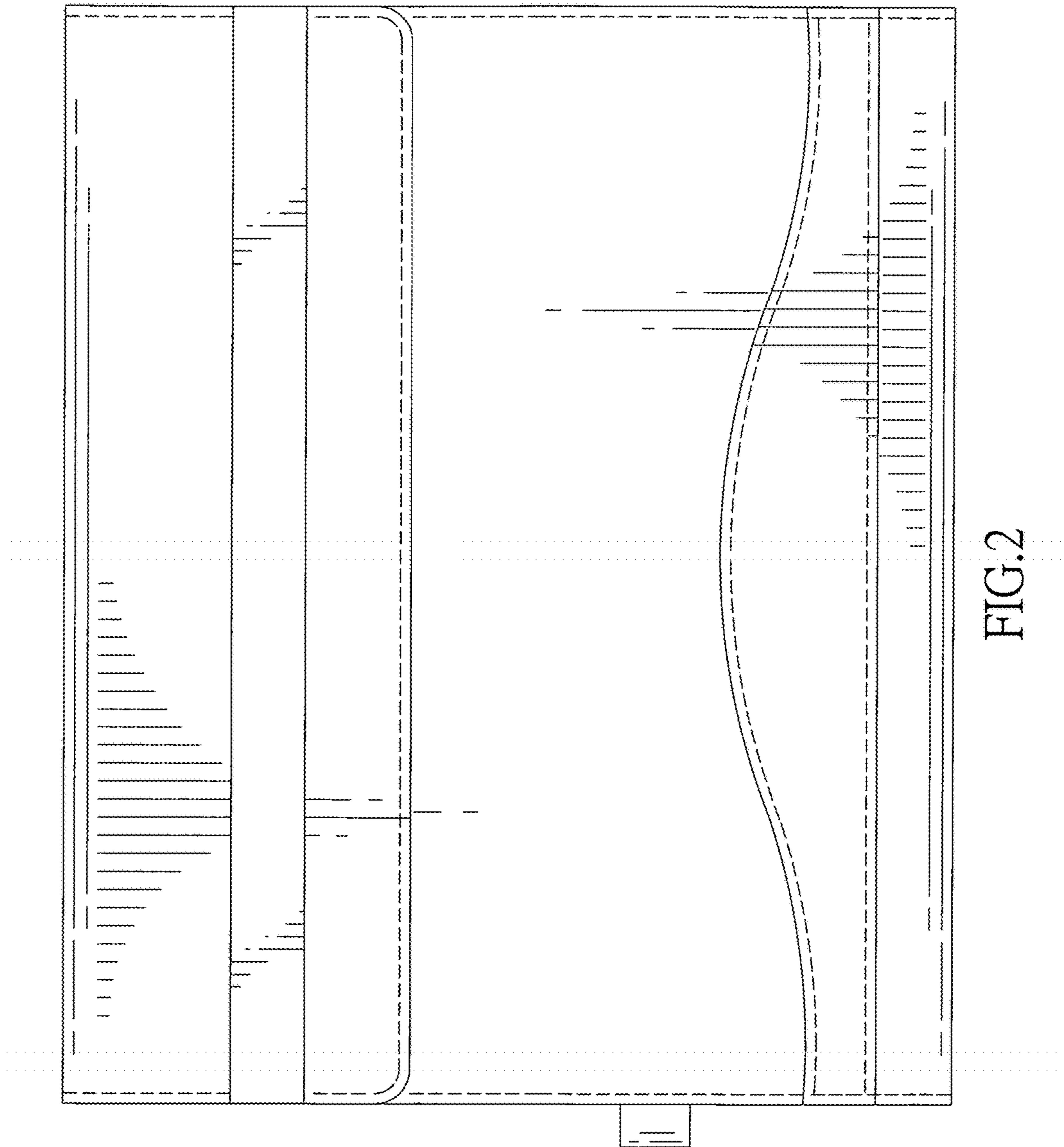


FIG. 2

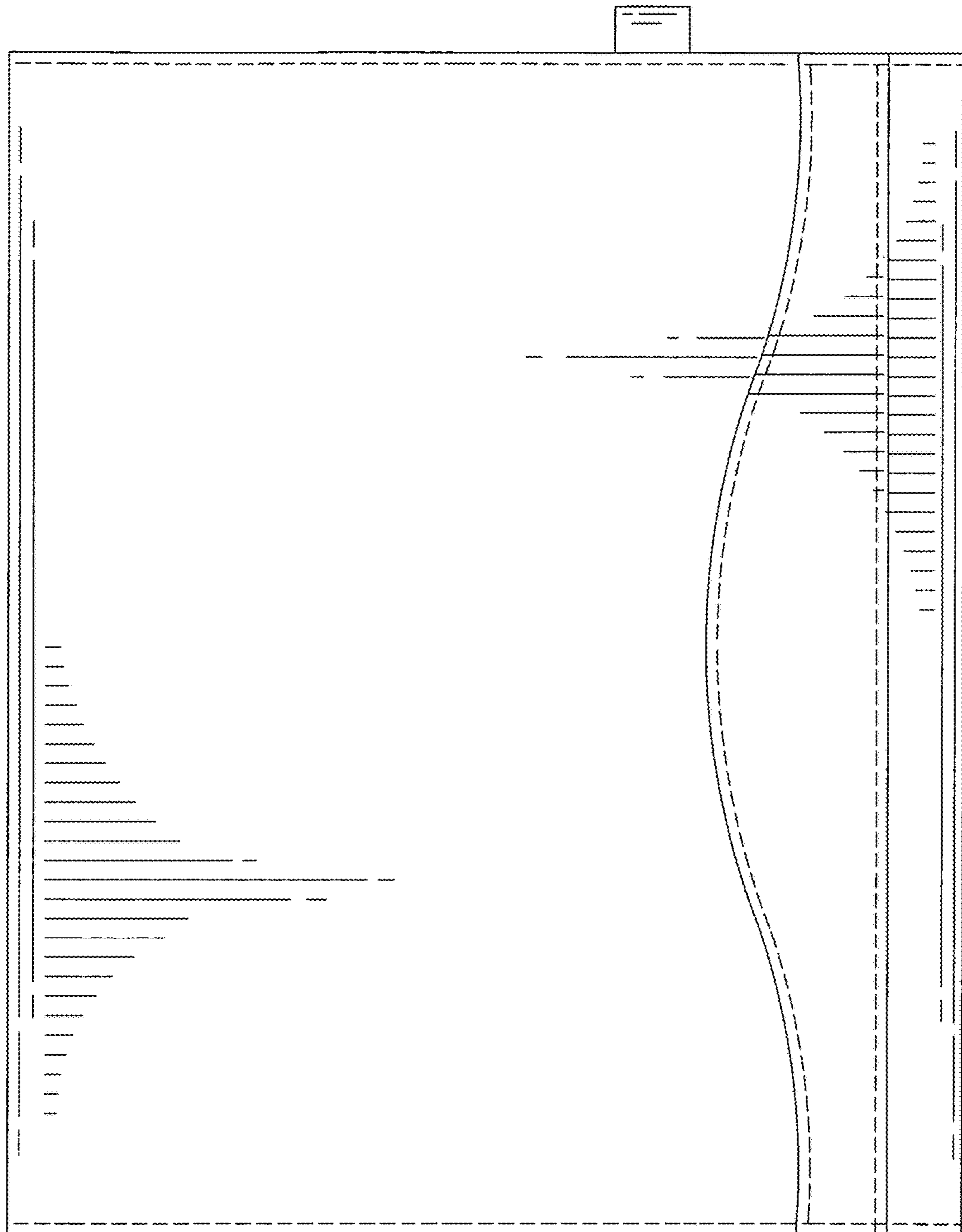


FIG.3

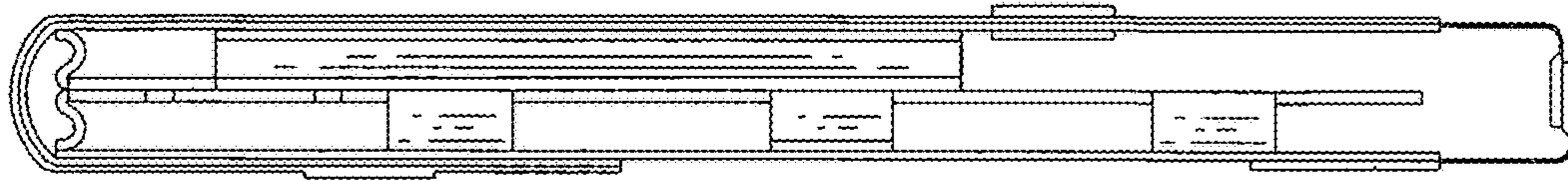


FIG. 5

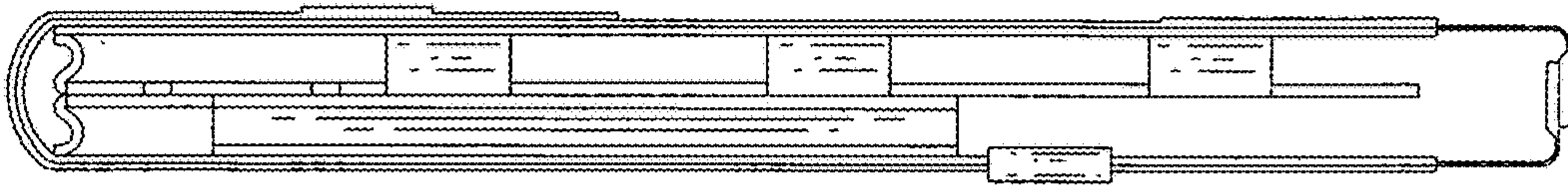


FIG. 4



FIG. 6

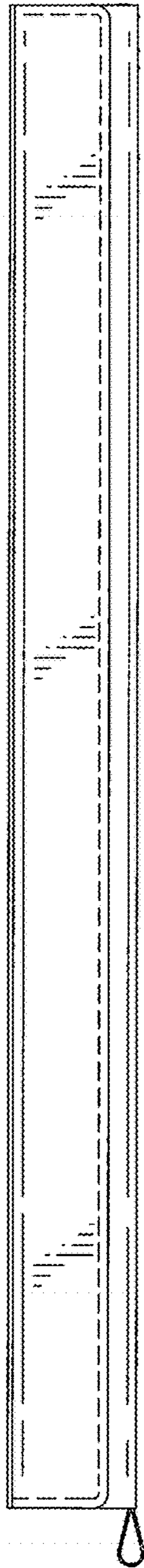


FIG. 7

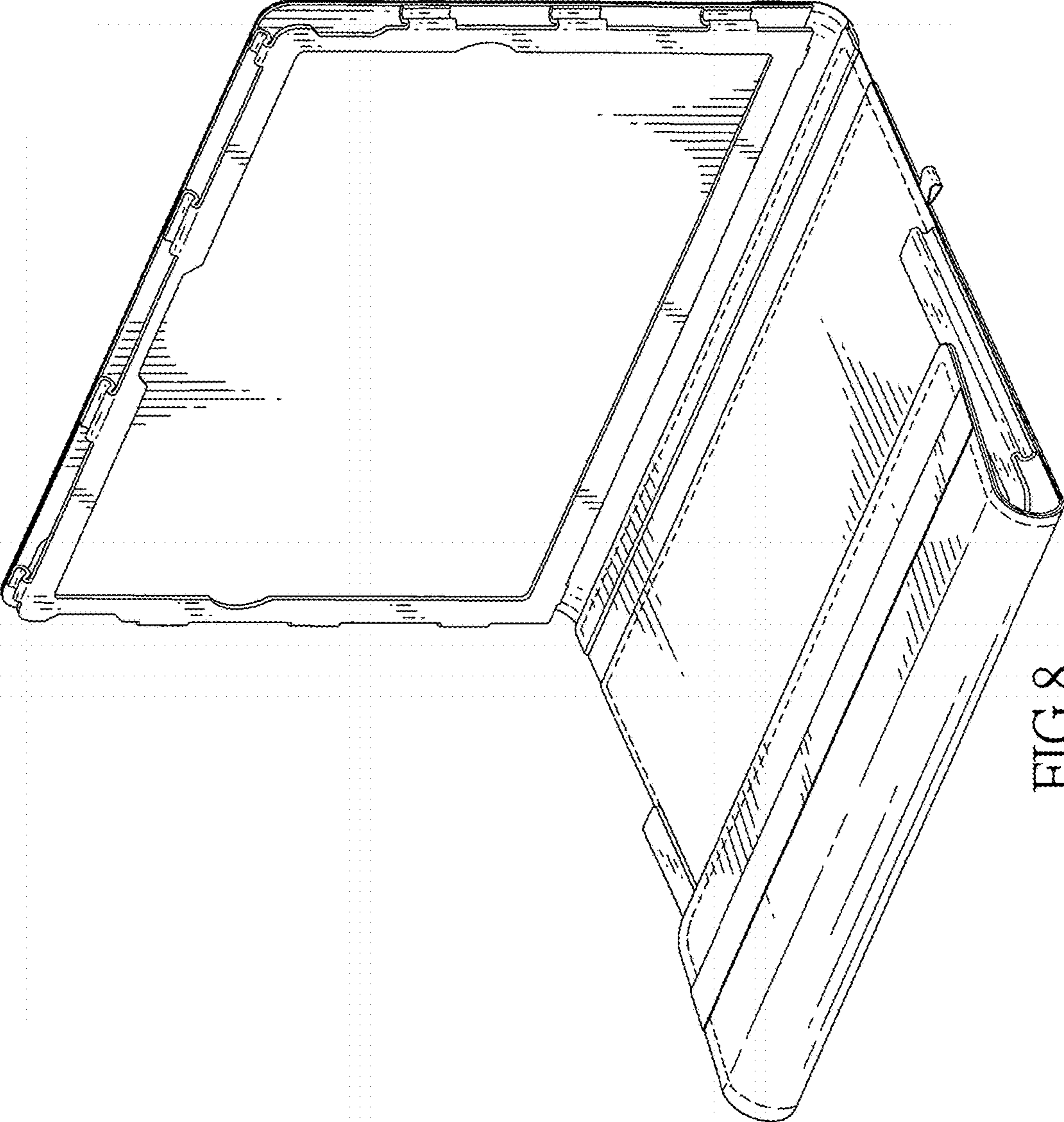
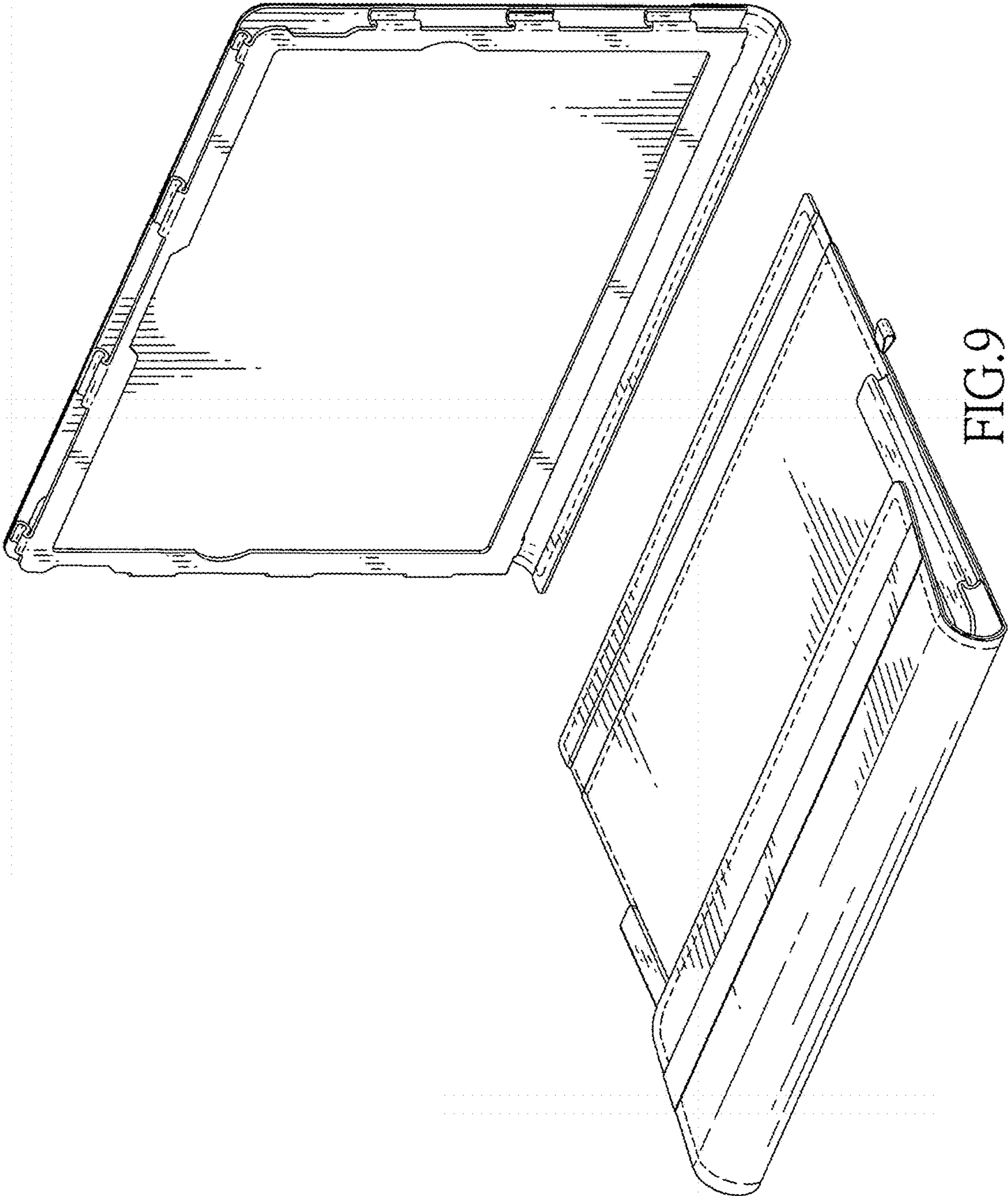


FIG.8



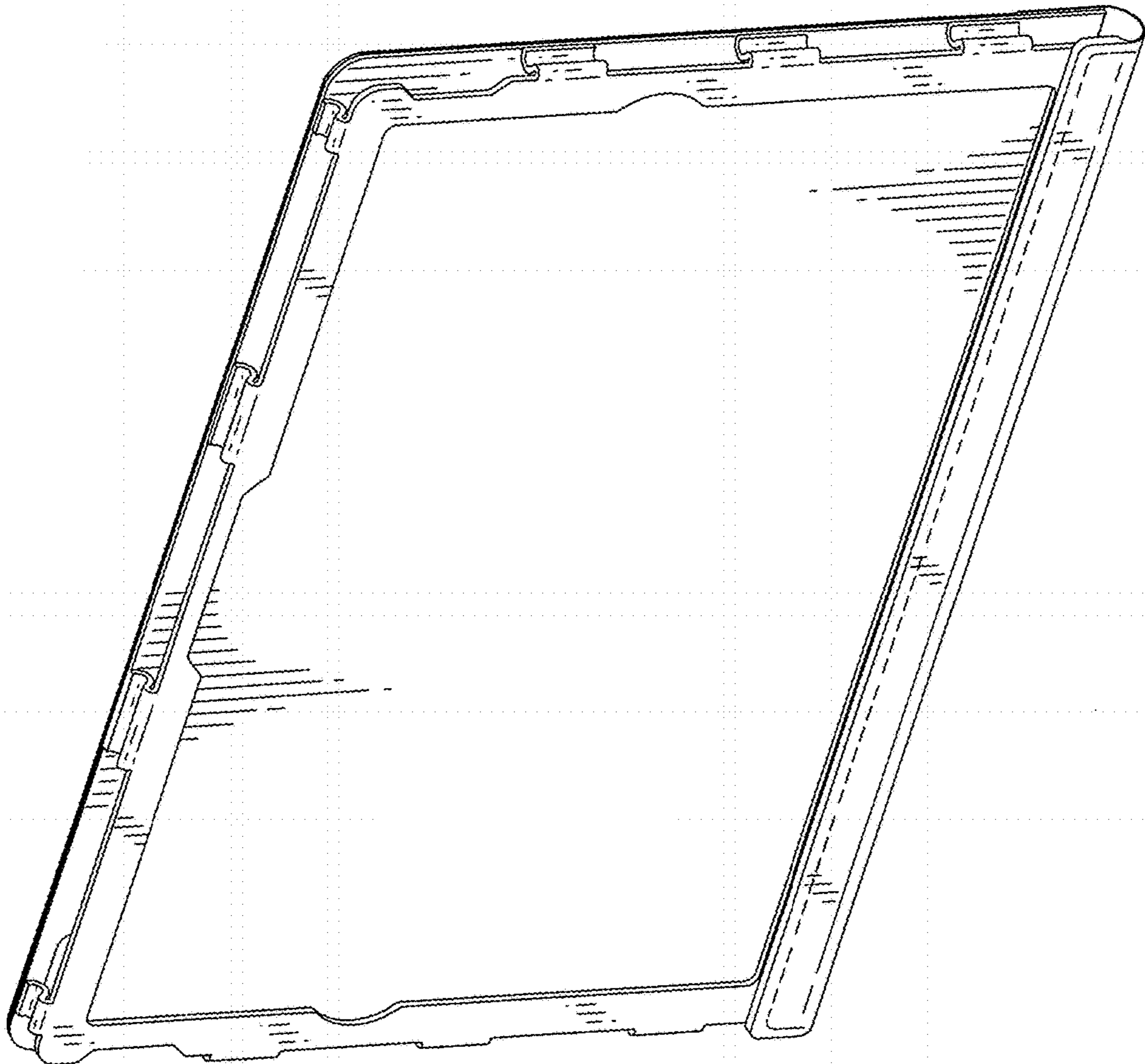


FIG.10

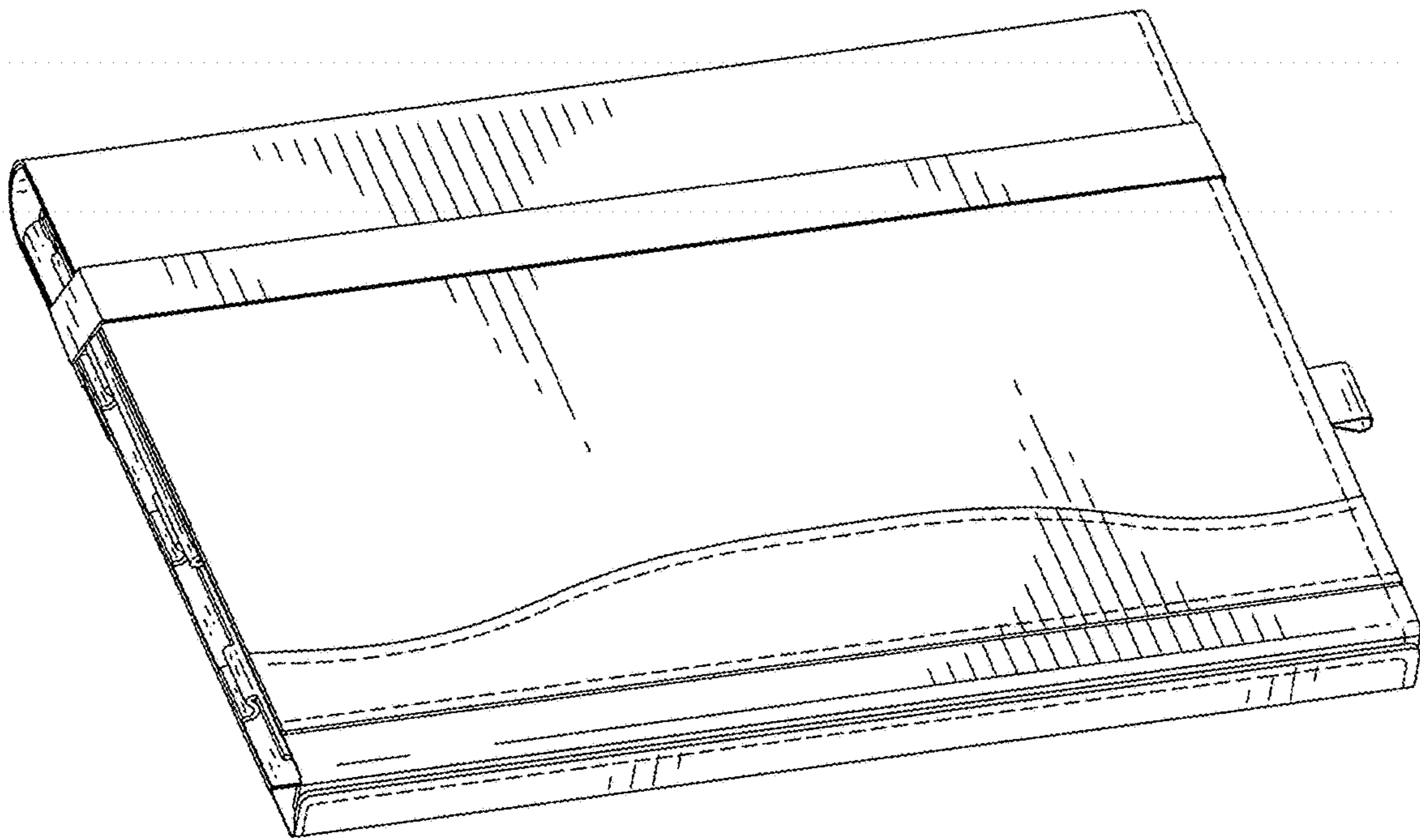


FIG.11