

US00D860998S

(12) **United States Design Patent** (10) **Patent No.:** **US D860,998 S**
Thiers (45) **Date of Patent:** **** Sep. 24, 2019**

(54) **TABLET ENCLOSURE**
(71) Applicant: **Jean-Michel Thiers**, Sunnyvale, CA
(US)
(72) Inventor: **Jean-Michel Thiers**, Sunnyvale, CA
(US)
(**) Term: **15 Years**
(21) Appl. No.: **29/636,850**
(22) Filed: **Feb. 12, 2018**
(51) **LOC (12) Cl.** **14-02**
(52) **U.S. Cl.**
USPC **D14/440**
(58) **Field of Classification Search**
USPC D14/440, 250, 447; 206/45.23, 320,
206/45.2; 361/679.55; 294/25; 224/218
CPC ... G06F 1/1628; G06F 1/1626; A47B 23/044;
H04B 1/3888
See application file for complete search history.

(56) **References Cited**
U.S. PATENT DOCUMENTS
8,820,525 B1 * 9/2014 Zanxiang F16M 11/10
206/320
D731,494 S * 6/2015 Barfoot D14/440
D737,263 S * 8/2015 Armstrong D14/250
D794,625 S * 8/2017 Armstrong D14/250
D794,626 S * 8/2017 Armstrong D14/250
D800,133 S * 10/2017 Wright D14/440

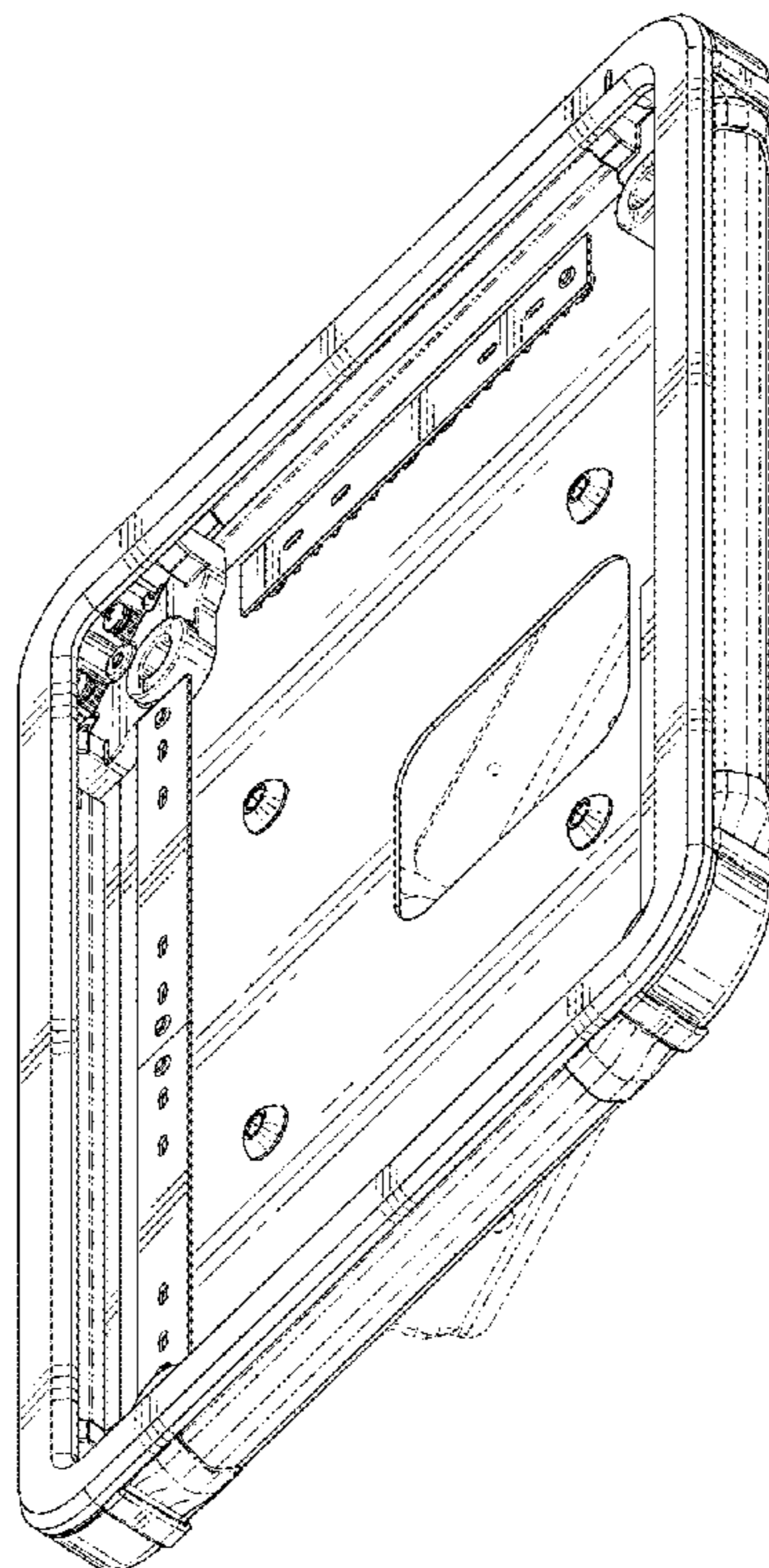
D805,507 S * 12/2017 Jakobuco D14/250
D813,217 S * 3/2018 Kim D14/250
D816,653 S * 5/2018 Yu D14/250
D831,030 S * 10/2018 Gao D14/440
D831,658 S * 10/2018 Brown D14/440

* cited by examiner
Primary Examiner — Cynthia R Underwood

(57) **CLAIM**
The ornamental design for a tablet enclosure, as shown and described.

DESCRIPTION
FIG. 1 is a front, first side, and top perspective view of a tablet enclosure embodying the new design;
FIG. 2 is a back, second side, and bottom perspective view thereof;
FIG. 3 is a front view thereof;
FIG. 4 is a back view thereof;
FIG. 5 is a first side view thereof;
FIG. 6 is a second side view thereof;
FIG. 7 is a top view thereof;
FIG. 8 is a bottom view thereof;
FIG. 9 is a front, first side, and top perspective view of the tablet enclosure, having a tablet device enclosed, embodying the new design; and,
FIG. 10 is a front view thereof.
The broken lines depict portions of a tablet enclosure and in FIGS. 9 and 10 they also the invention in use with an unclaimed tablet.

1 Claim, 10 Drawing Sheets



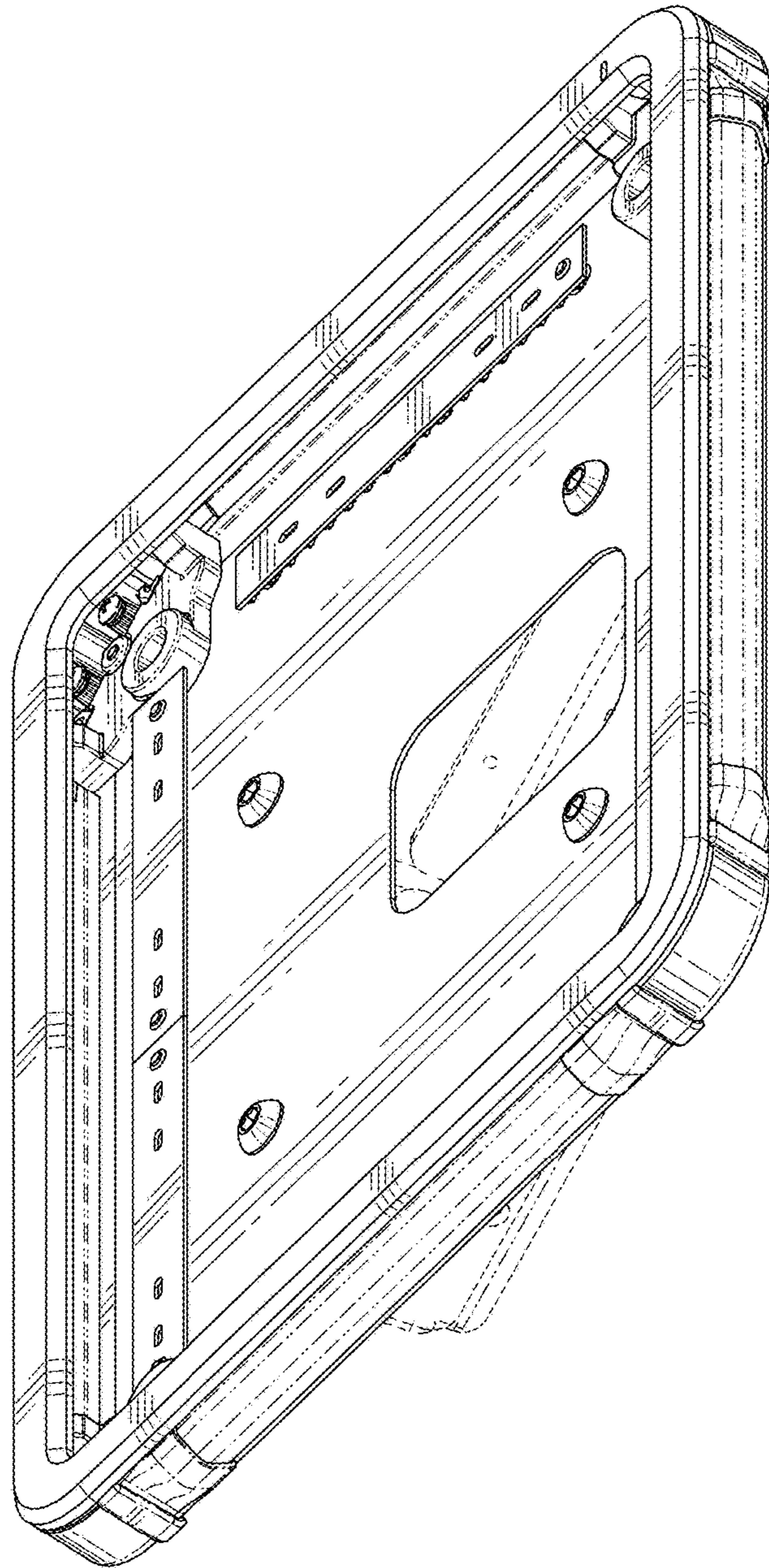


FIG. 1

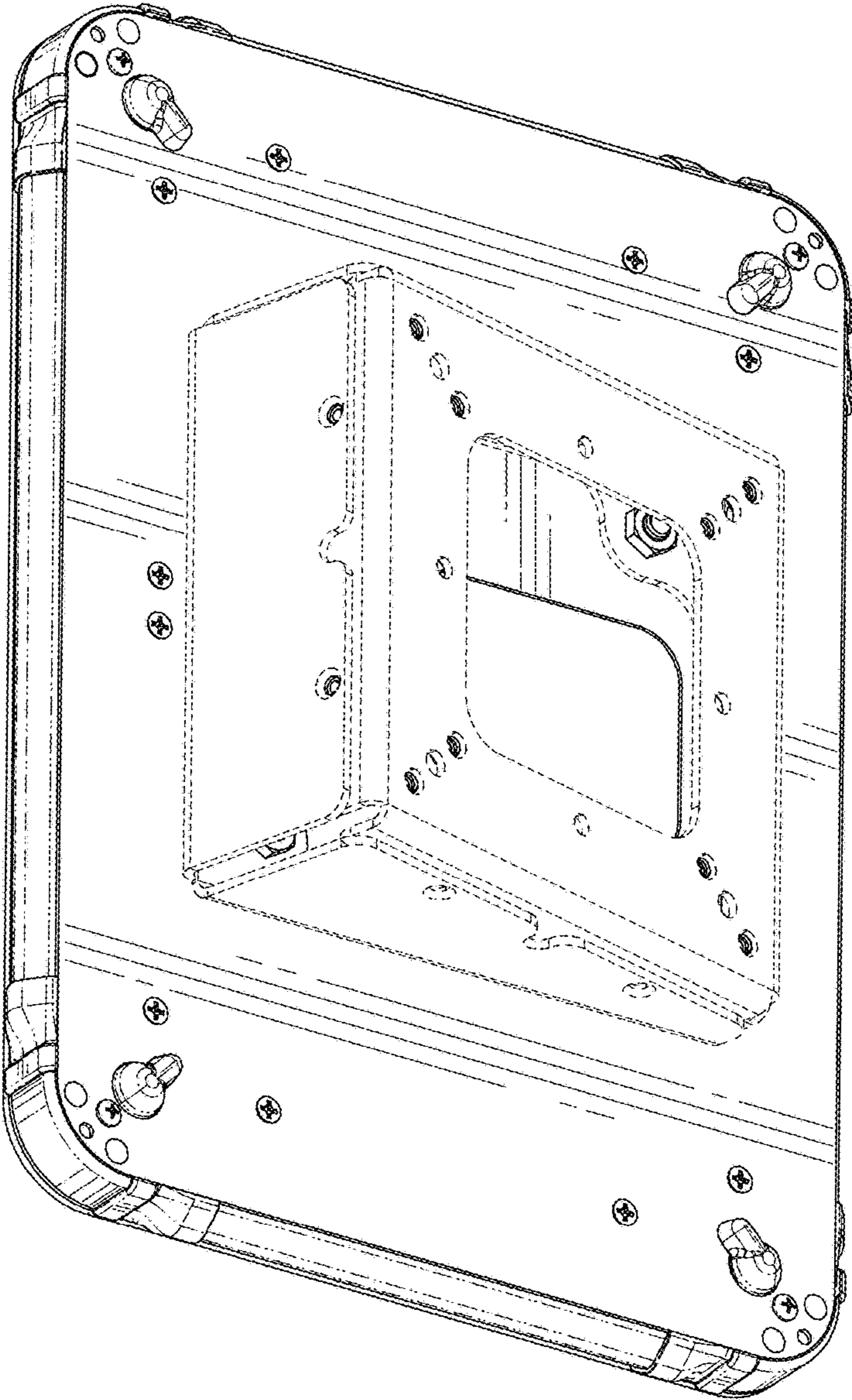


FIG. 2

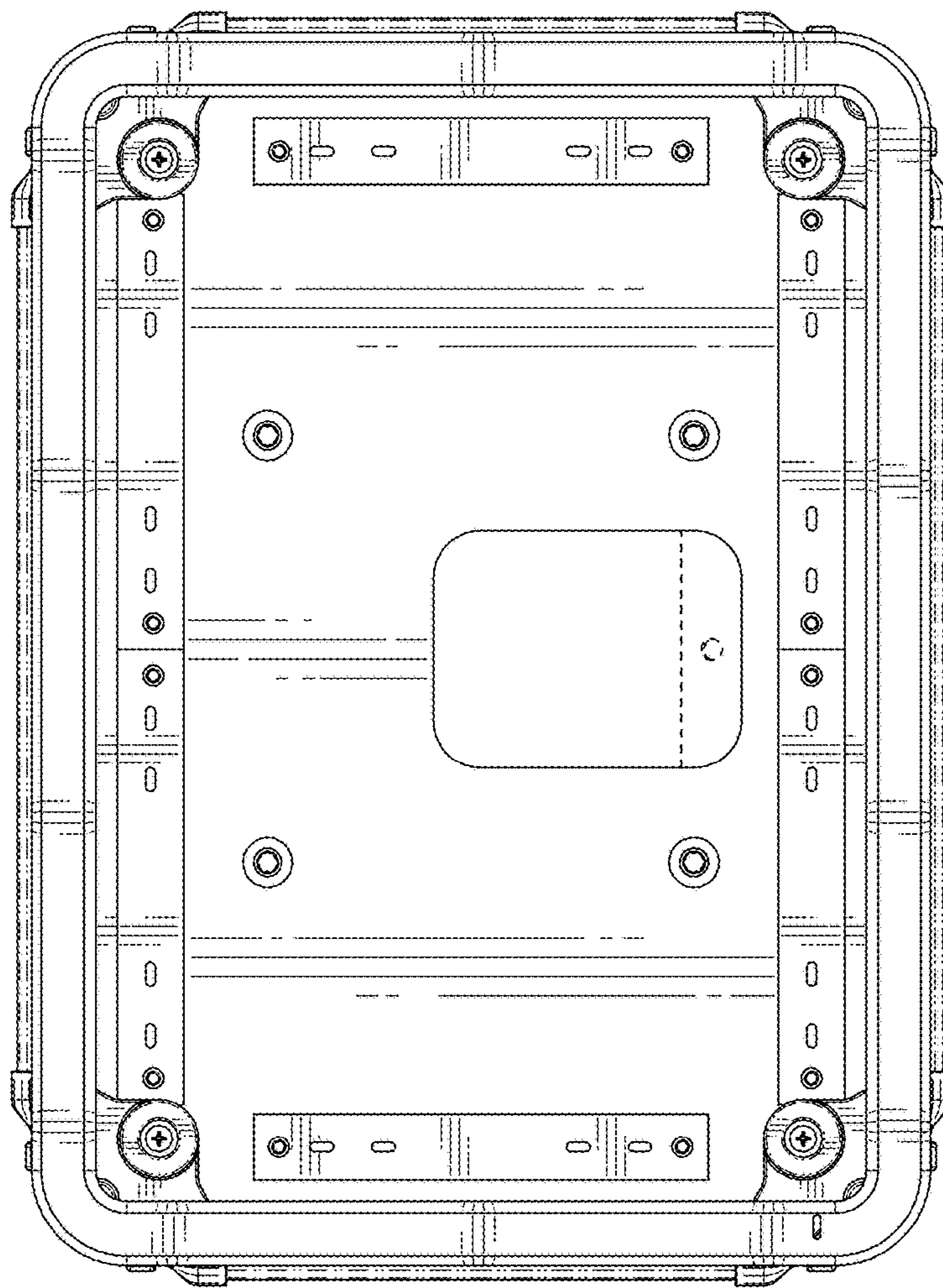


FIG. 3

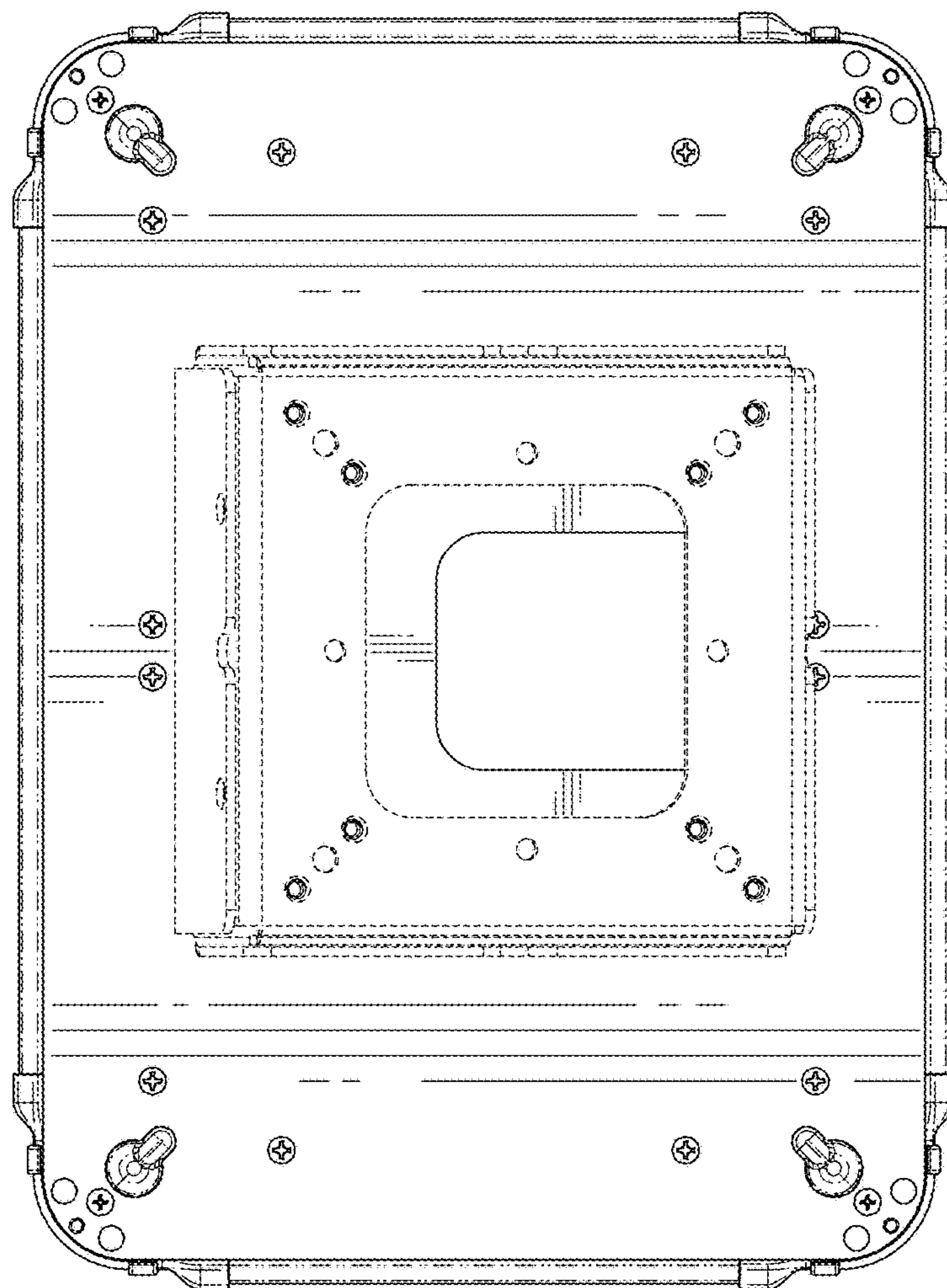


FIG. 4

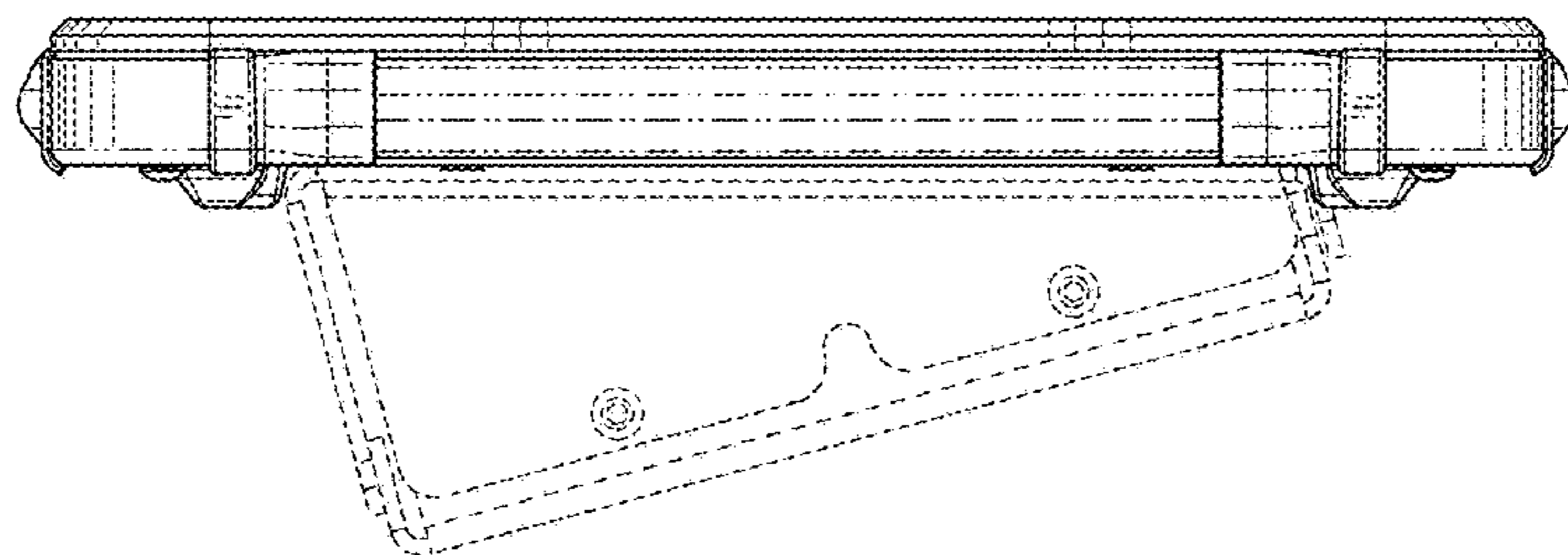


FIG. 5

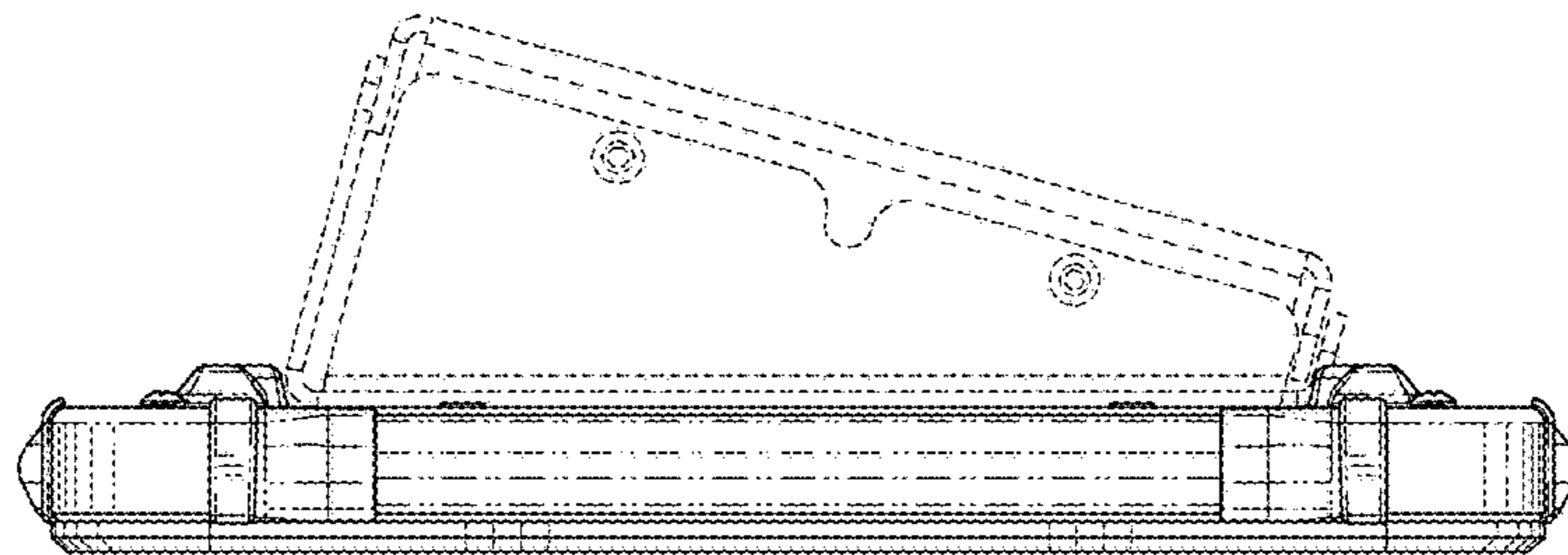


FIG. 6

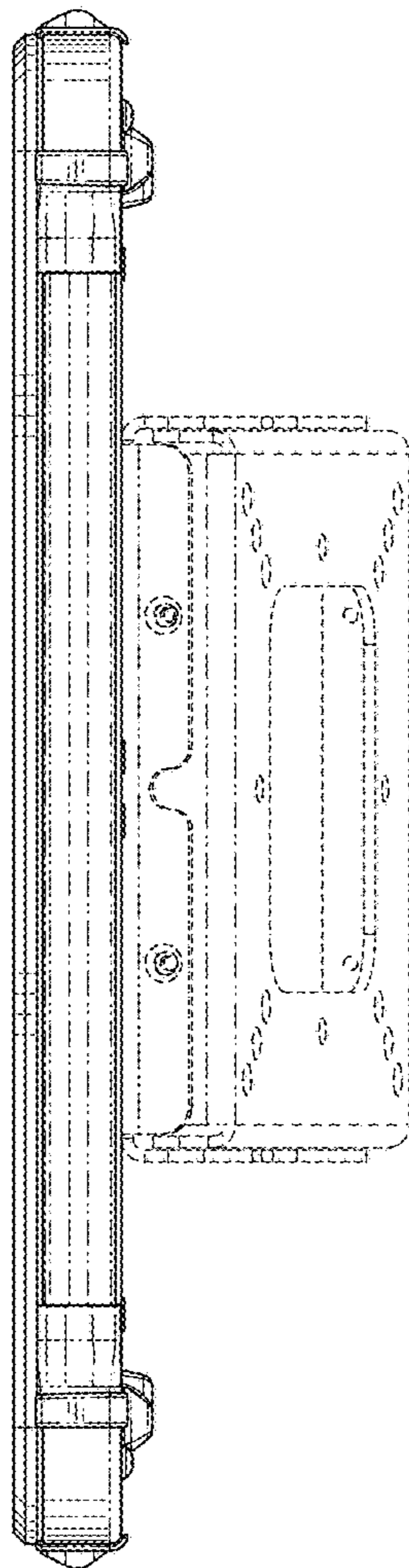


FIG. 7

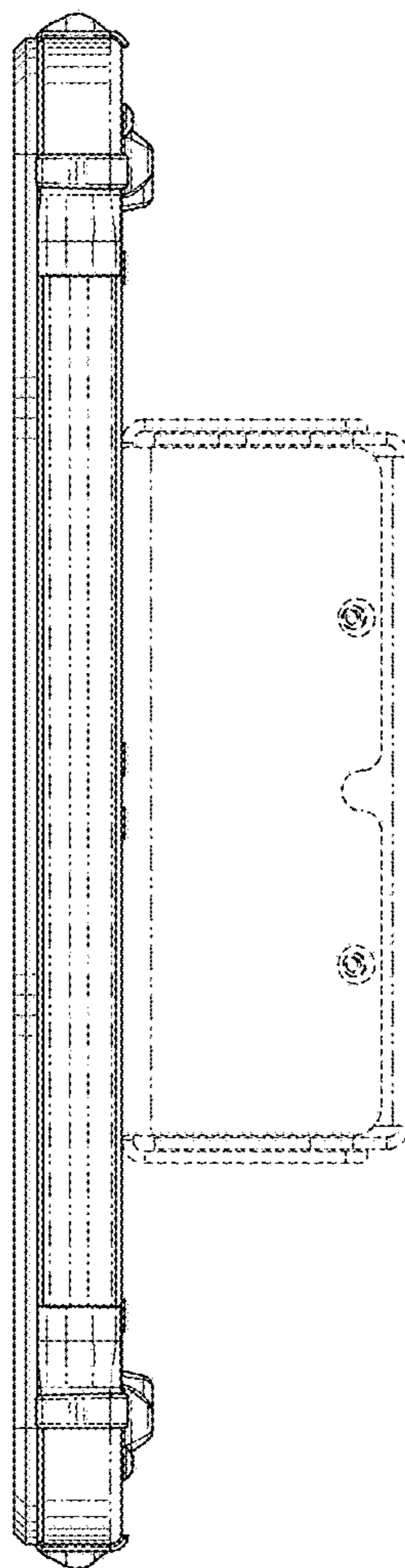


FIG. 8

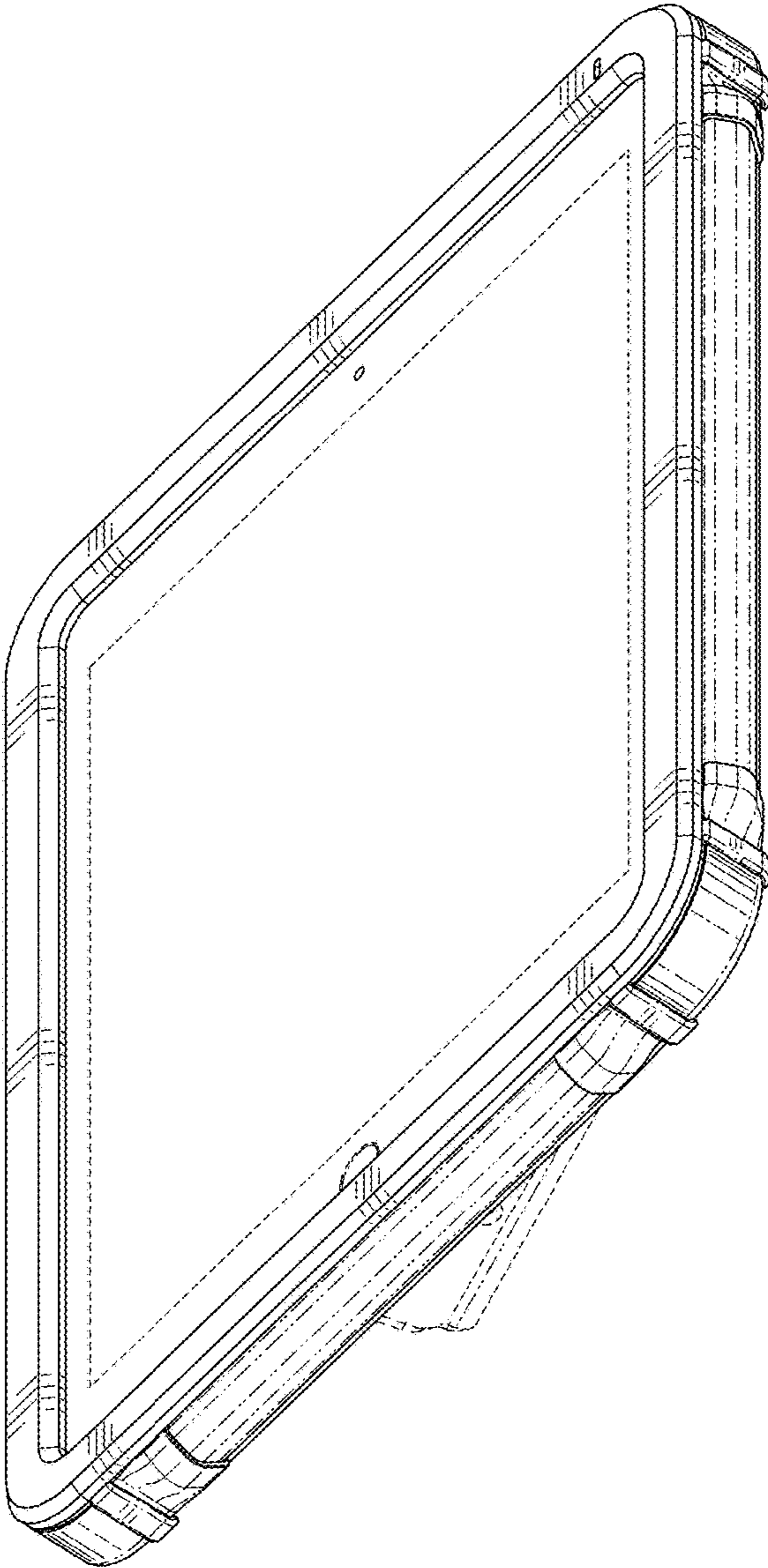


FIG. 9

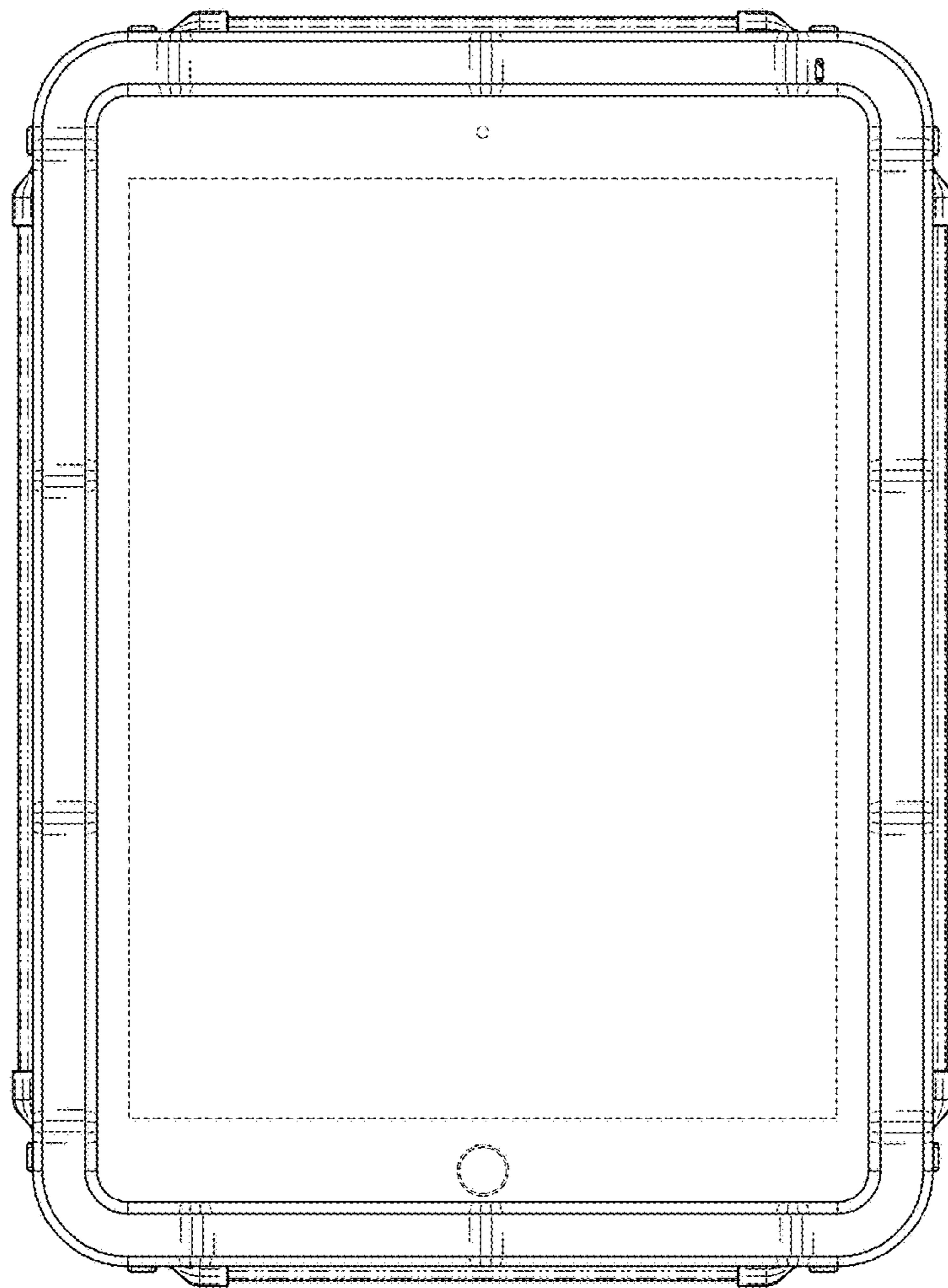


FIG. 10