

US00D860996S

(12) **United States Design Patent**
Jhun et al.

(10) **Patent No.:** **US D860,996 S**

(45) **Date of Patent:** **** Sep. 24, 2019**

(54) **FLIP TOP UNIT**

D526,961 S 8/2006 Kissinger et al.

D537,039 S 2/2007 Pincek

D537,785 S 3/2007 Pincek

(Continued)

(71) Applicant: **Crestron Electronics, Inc.**, Rockleigh,
NJ (US)

(72) Inventors: **Sae Jhun**, Bayside, NY (US); **Wendy
Feldstein**, Old Tappan, NJ (US)

(73) Assignee: **Crestron Electronics, Inc.**, Rockleigh,
NJ (US)

(**) Term: **15 Years**

(21) Appl. No.: **29/629,033**

(22) Filed: **Dec. 11, 2017**

(51) **LOC (12) Cl.** **14-02**

(52) **U.S. Cl.**

USPC **D14/432; D14/307**

(58) **Field of Classification Search**

USPC D14/432, 433, 439, 445, 446, 300, 348,
D14/302, 341, 441, 248, 453, 427, 426;

361/679.4, 679.45, 679.02, 679.31;

174/354, 359; 455/557, 41.2, 418, 566;

D10/30, 37, 39, 65; 345/2.3, 520

CPC .. H04B 1/38; H04B 7/00; H04M 3/00; G09G
5/00; G06F 13/14

See application file for complete search history.

(56) **References Cited**

U.S. PATENT DOCUMENTS

6,046,405 A	4/2000	Obermann et al.	
6,162,071 A	12/2000	Muller	
D460,736 S	7/2002	Pincek et al.	
D465,201 S	11/2002	Gershfeld	
D473,525 S	4/2003	Pincek et al.	
6,802,577 B2	10/2004	Gershfeld	
D501,664 S *	2/2005	Minamio D14/432
6,942,501 B2	9/2005	Kissinger et al.	
D512,964 S	12/2005	Kissinger et al.	
D513,493 S	1/2006	Feldstein et al.	
D516,513 S	3/2006	Kissinger et al.	

OTHER PUBLICATIONS

AMX, HydraPort: Connecting the Perfect Meeting, Product Guide,
Rev. V3 (Sep. 8, 2014), available at pdf.archiexpo.com/pdf/amx/
hydraport/51274-177337.html.

(Continued)

Primary Examiner — Austin Murphy

(74) *Attorney, Agent, or Firm* — Crestron Electronics,
Inc.

(57) **CLAIM**

The ornamental design for a flip top unit, as shown and
described.

DESCRIPTION

FIG. 1 illustrates a perspective view of a flip top unit
showing the lid in a closed position.

FIG. 2 illustrates a top plan view of a flip top unit showing
the lid in a closed position.

FIG. 3 illustrates a right elevation view of a flip top unit.

FIG. 4 illustrates a left elevation view of a flip top unit.

FIG. 5 illustrates a front elevation view of a flip top unit.

FIG. 6 illustrates a rear elevation view of a flip top unit.

FIG. 7 illustrates a perspective view of a flip top unit
showing the lid in an open position.

FIG. 8 illustrates a top plan view of a flip top unit showing
the lid in an open position.

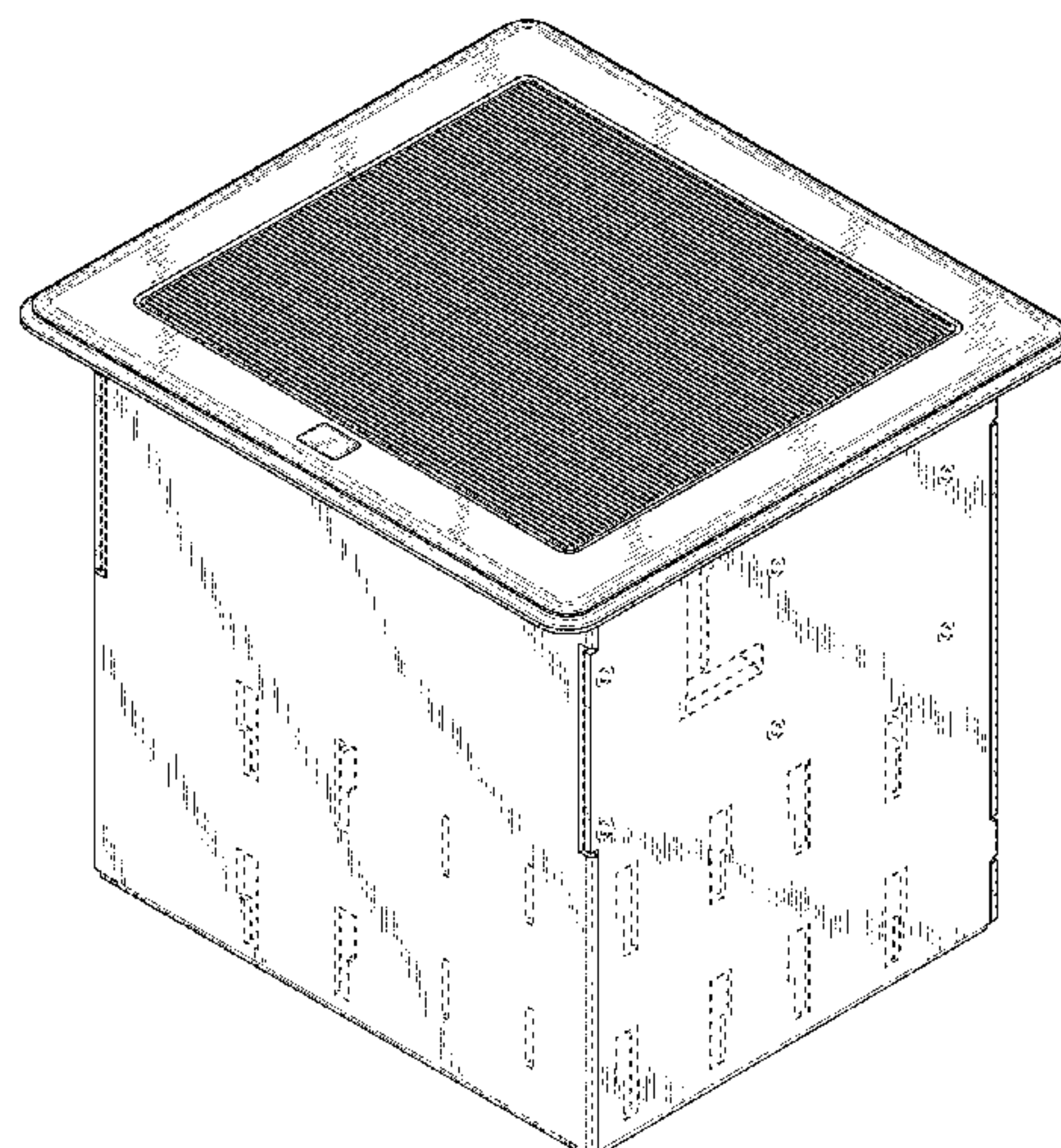
FIG. 9 illustrates a perspective view of an installed flip top
unit showing the lid in a closed position.

FIG. 10 illustrates a perspective view of an installed flip top
unit showing the lid in an open position; and,

FIG. 11 illustrates a bottom plan view of a flip top unit.

The broken line portion of the figure drawings is included to
show unclaimed subject matter only and forms no part of the
claimed design.

1 Claim, 11 Drawing Sheets



(56)

References Cited

U.S. PATENT DOCUMENTS

7,312,393 B2 12/2007 McCarthy et al.
 D569,863 S 5/2008 Feldstein et al.
 7,414,193 B1 8/2008 Le
 7,541,539 B2 6/2009 Le
 7,667,145 B2 2/2010 Dinh et al.
 D626,542 S * 11/2010 Libman D13/139.4
 D628,097 S 11/2010 Libman et al.
 D628,098 S 11/2010 Libman et al.
 D628,099 S * 11/2010 Libman D10/49
 D638,314 S 5/2011 Libman et al.
 D638,315 S * 5/2011 Libman D10/49
 D639,680 S 6/2011 Libman et al.
 D639,681 S * 6/2011 Rodriguez D10/49
 D640,577 S * 6/2011 Libman D10/49
 D640,939 S 7/2011 Libman et al.
 D640,940 S * 7/2011 Libman D10/49
 7,989,710 B2 8/2011 Hansen et al.
 D645,404 S * 9/2011 Chuang D13/139.1
 D657,315 S 4/2012 Feldstein et al.
 D664,050 S * 7/2012 Rodriguez D10/49
 D678,786 S * 3/2013 Rodriguez D10/49
 D686,992 S 7/2013 Eisen
 D694,195 S * 11/2013 Gammon D13/162
 8,943,978 B2 2/2015 Soper et al.
 D734,729 S * 7/2015 Chaloupecky D10/49
 D735,198 S * 7/2015 Song D14/432
 D735,199 S * 7/2015 Song D14/432
 D735,724 S * 8/2015 Song D14/432
 9,257,776 B2 2/2016 Kramer
 9,309,087 B2 4/2016 Laube et al.
 9,425,563 B2 8/2016 Laube et al.
 D775,080 S * 12/2016 Newhouse D13/139.4
 9,553,413 B2 1/2017 Laube et al.
 9,680,262 B2 6/2017 Laube et al.
 9,706,833 B2 7/2017 Newhouse et al.
 D801,285 S * 10/2017 Timmins D13/156
 2003/0070592 A1 4/2003 Grasse et al.
 2009/0165679 A1 7/2009 Bakker et al.
 2014/0265753 A1 9/2014 Gershfeld et al.
 2014/0374531 A1 12/2014 Laube et al.
 2017/0093097 A1 3/2017 Laube et al.

OTHER PUBLICATIONS

Arthur Holm, Albiral Display Solutions SL, Catalog, EN2016-2017, available at www.arthurholm.com/wp-content/uploads/2017/03/AH_Catalogue_2017.pdf.
 Bachmann Electrical Engineering Ltd., Facility Solutions, System solutions for Office, conference and meeting rooms, Jun. 2016, available at genproel-el.gr/data/documents/2017.pdf.
 Crestron, Crestron FlipTops, D4520-C_201410, 2014, available at www.crestron.com/downloads/pdf/product_brochures/crestron_fliptops_brochure.pdf.
 Extron, Cable Cubby 202, 2014, available at www.extron.com/download/files/brochure/CC_202_Printable_A4.pdf.
 Extron, Cable Cubby 500, 2014, available at www.extron.com/download/files/brochure/CC_500_Printable_A4.pdf.

Extron, Cable Cubby 700, 2014, available at www.extron.com/download/files/brochure/CC_700_Printable_A4.pdf.
 Extron, Cable Cubby 1200, 2014, available at www.extron.com/download/files/brochure/.
 Extron, Cable Cubby 1400, 2014, available at www.extron.com/download/files/brochure/.
 Extron, Cable Cubby Series 2, Mar. 2016, 68-2604-01, REV. C, available at www.extron.com/download/files/brochure/cable_cubby_series_2_verA4.pdf.
 Extron Catalog, AAP—Architectural Adapter Plates, 2012 Product Catalog, available at www.extron.com/download/files/general/aaps_12cat_en.pdf.
 FSR Inc., T6 Flex, LIT1434A, 2015, available at fsrinc.com/documents/spec-sheet/9187-lit1434c-t6-flex-spec-sheet-pdf/file.
 FSR Inc., Table Boxes, LIT1187H, 2014, available at www.novotech.com.mx/wp-content/uploads/2016/03/1187H-Table-Box-Brochure.pdf.
 Herman Miller, Inc., Logic Power Access Solutions, 2015, available at www.hermanmiller.com/content/dam/hermanmiller/documents/product_literature/product_sheets/Logic_Power_Access_Solutions_product_sheet.pdf.
 Extron Electronics, “Hideaway” Family Brochure, 2002.
 Extron Electronics, Extron® Hideaway Series Brochure, 2002.
 Kramer Electronics Ltd., K-Able/XL Box Cable Retractor, User Manual, P/N: 2900-300441 Rev 3, 2015, available at k.kramerav.com/downloads/manuals/k-able_xl_box.pdf.
 Kindermann, MultiMedia connection systems, 2014, available at www.kindermann.de/fileadmin/medien/printmedien/MultiMedia_connection_systems/GB/MultiMedia_connection_systems_GB.pdf.
 Legrand, Wiremold® AVIP Series Device Plates, ED1670R3—Updated Jan. 2015, available at www.legrand.us/wiremold.aspx.
 Legrand, Wiremold®, DEQUORUM™ Flip-Up Table Boxes, ED1755 0715, 2015, available at www.middleatlantic.com.
 Legrand, Wiremold® Table Boxes, Table Boxes bring technology to the point-of-use, ED1706R5—Updated Mar. 2016, available at www.legrand.us/wiremold.aspx.
 Legrand, wiremold®, InteGreat™ A/V Table Box, ED1699R1 0913, 2013, available at www.legrand.us/wiremold.aspx.
 Legrand, wiremold®, Meeting Room Solutions, ED1710, 2013, available at www.legrand.us/wiremold.aspx.
 Legrand, wiremold® Table Boxes, ED1652R3—Updated Apr. 2016, available at www.legrand.us/wiremold.aspx.
 Soltec, LCD-TFT Solutions, 2015, available at dvs.rs/wp-content/uploads/2017/07/ENGLISH-SOLTEC-CATALOGUE.pdf.
 AMX, “HPX-MSP-7-BL—7” HydraPort Touch Connection Port, Black, Closed”, https://trade.amx.com/assets/logosAndPhotos/HPX-MSP-7-BL_Closed.png.
 AMX, “HPX-MSP-7-BL—7” HydraPort Touch Connection Port, Black”, <https://trade.amx.com/assets/logosAndPhotos/HPX-MSP-7-BL.png>.
 AMX, “HPX-MSP-7-SL—7” HydraPort Touch Connection Port, Silver, Closed”, https://trade.amx.com/assets/logosAndPhotos/HPX-MSP-7-SL_Closed.png.
 AMX, “HPX-MSP-7-SL—7” HydraPort Touch Connection Port, Silver”, <https://trade.amx.com/assets/logosAndPhotos/HPX-MSP-7-SL.png>.

* cited by examiner

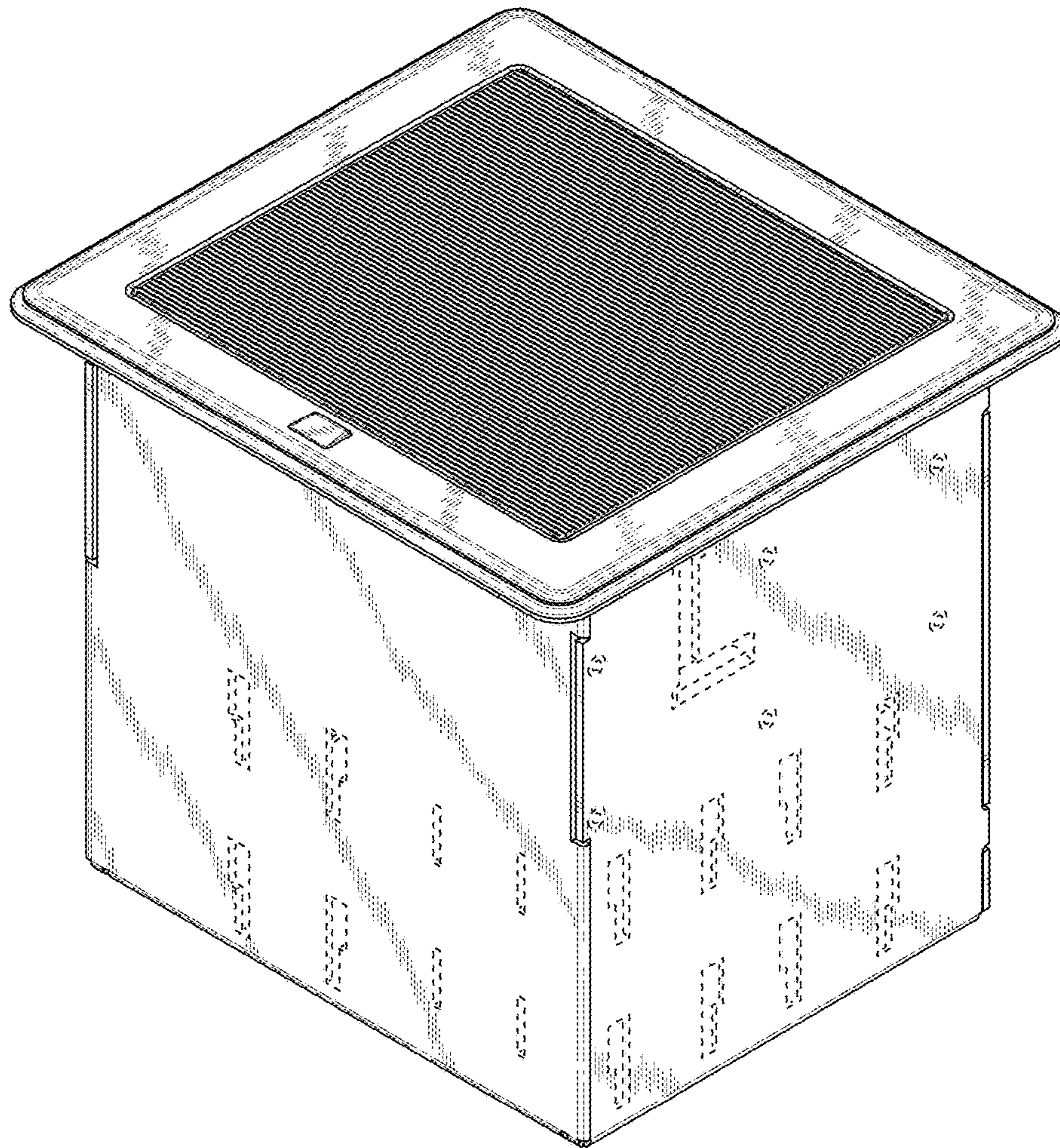


FIG. 1

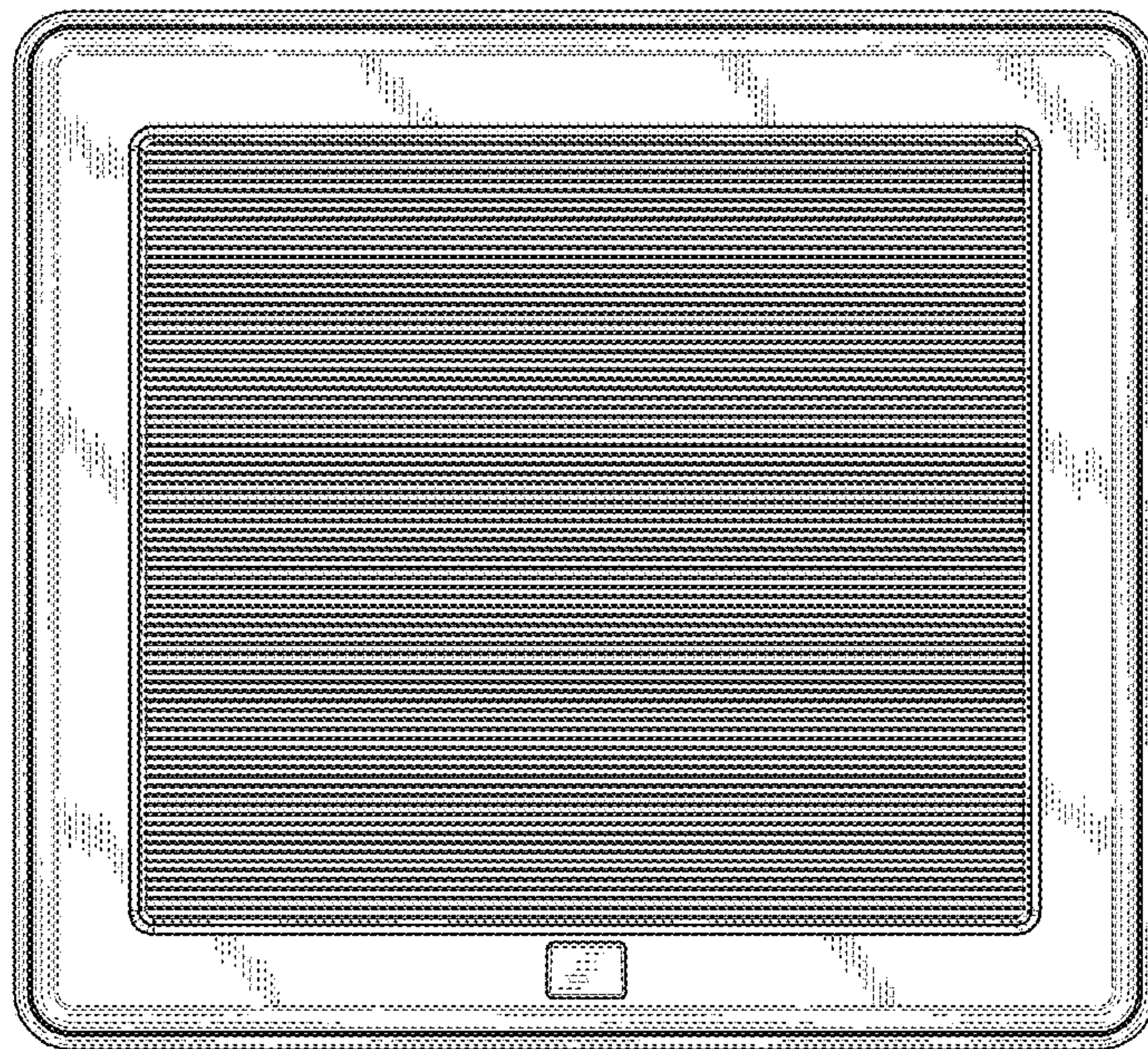


FIG. 2

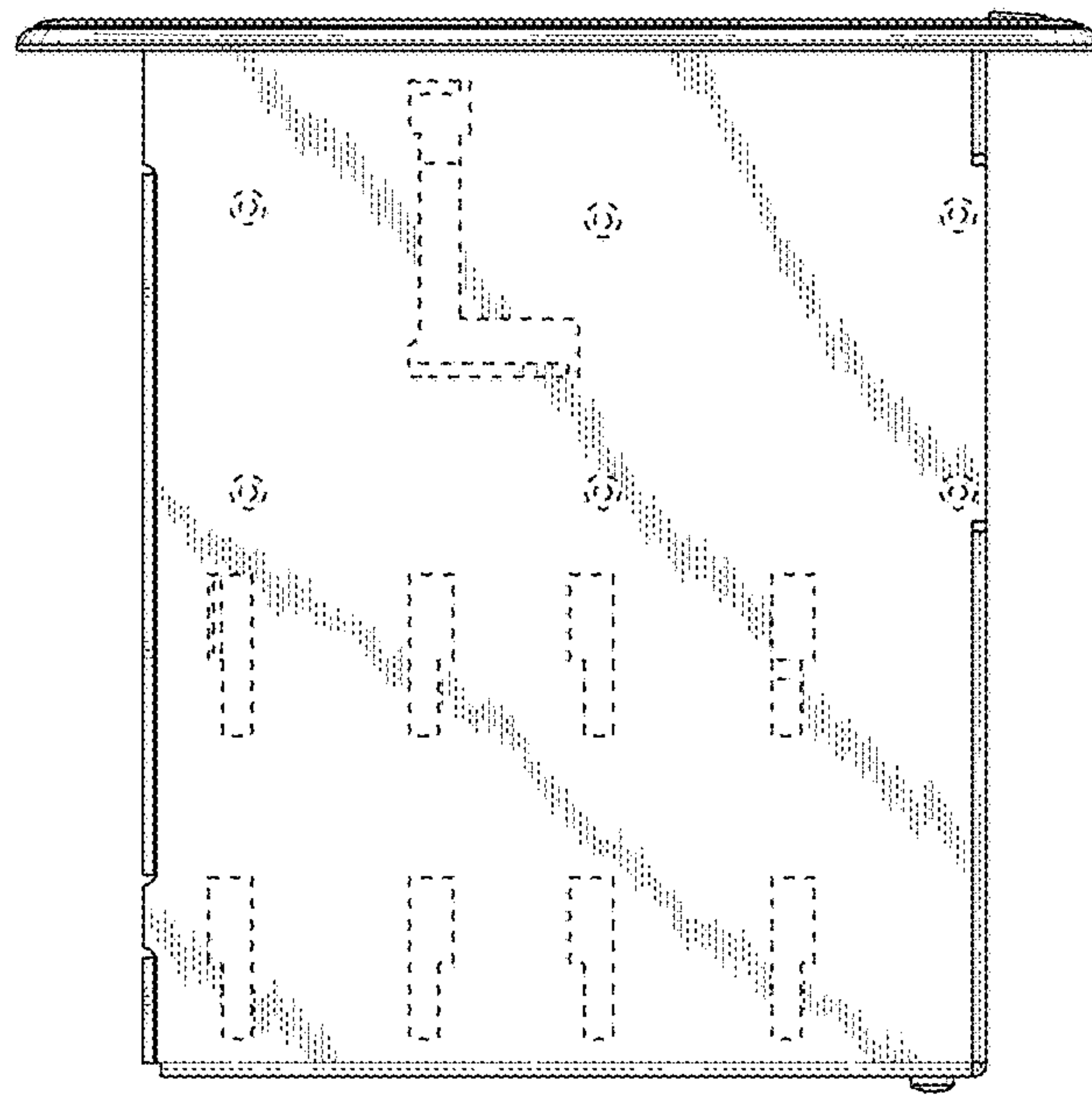


FIG. 3

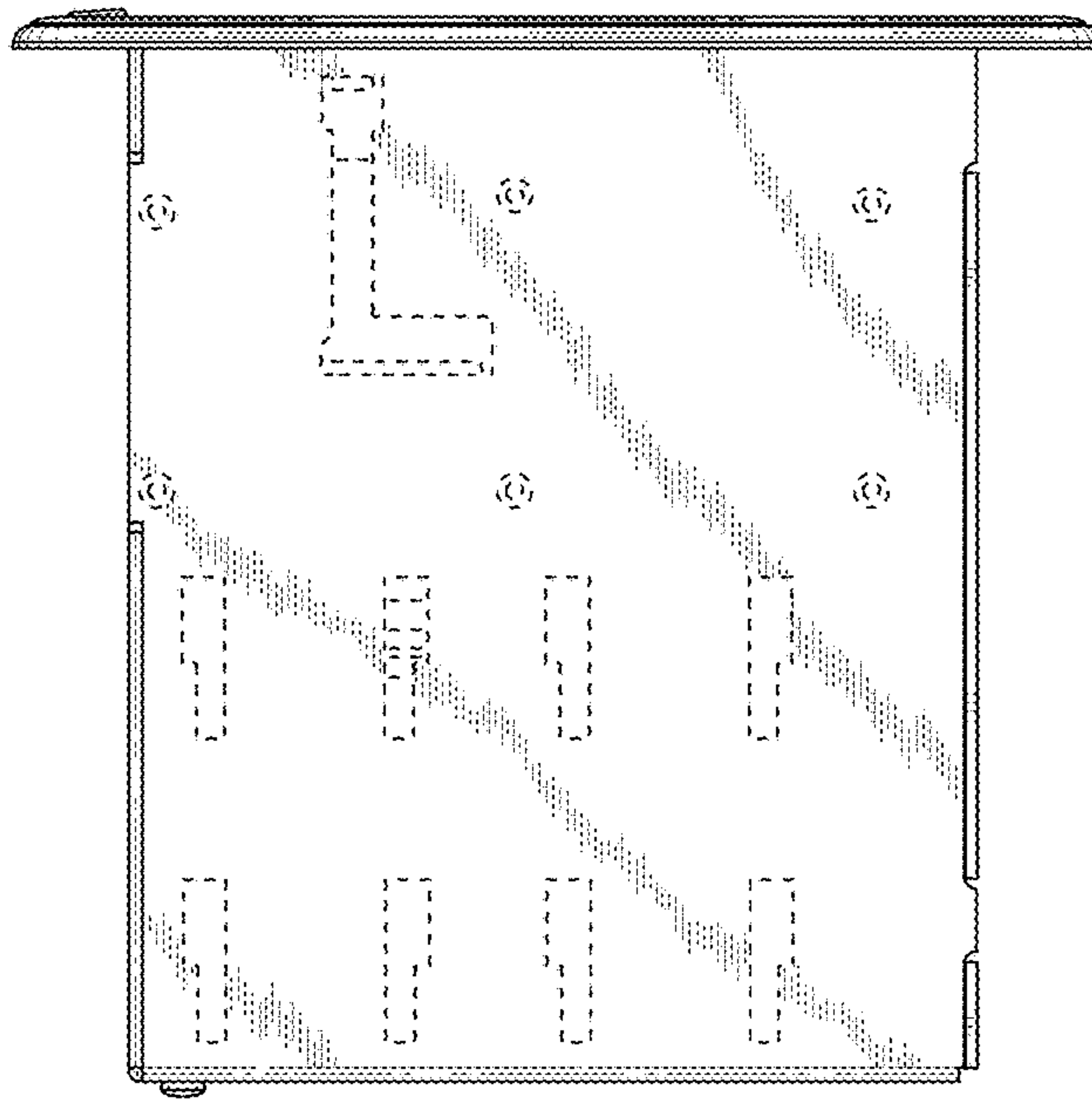


FIG. 4

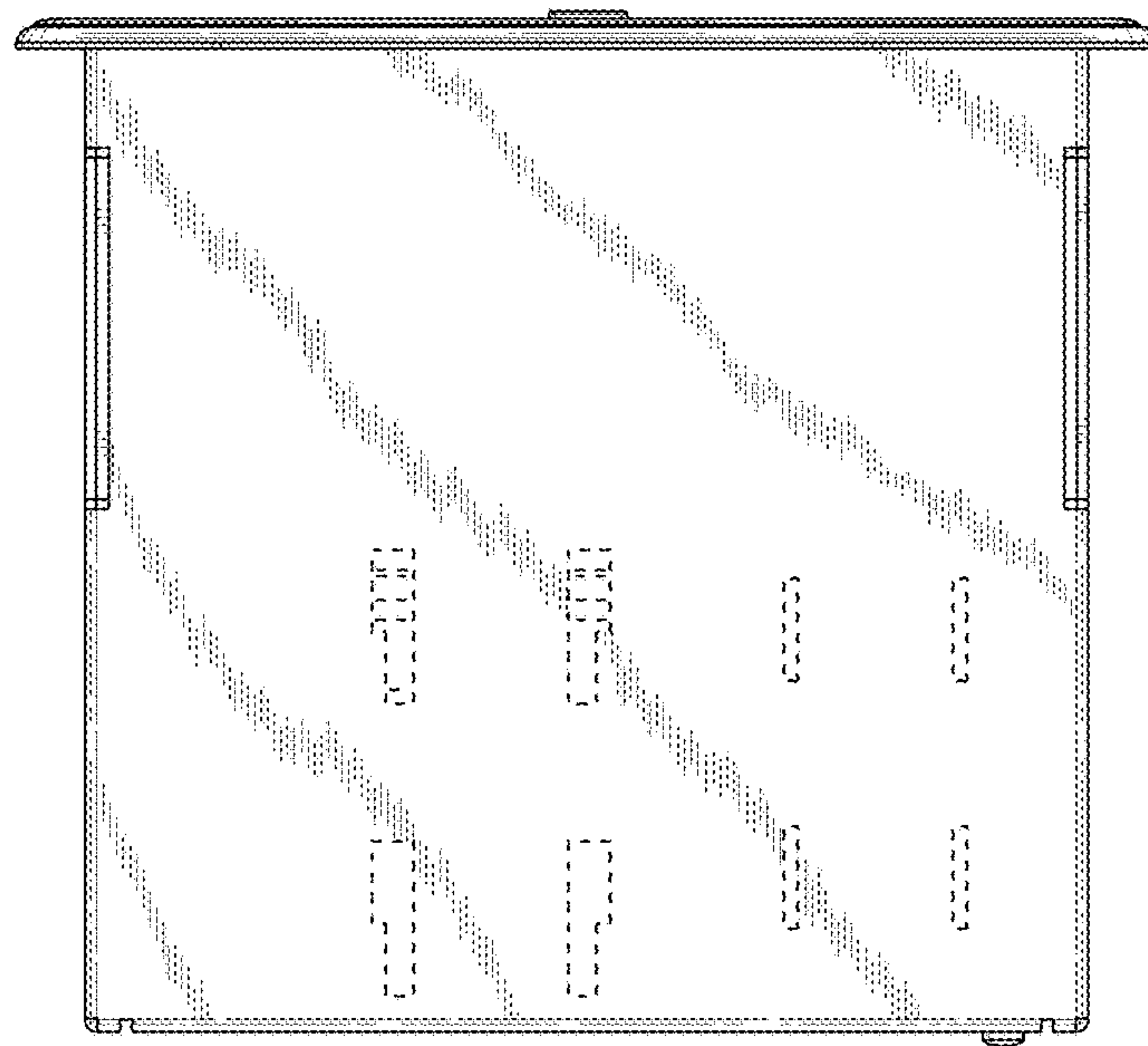


FIG. 5

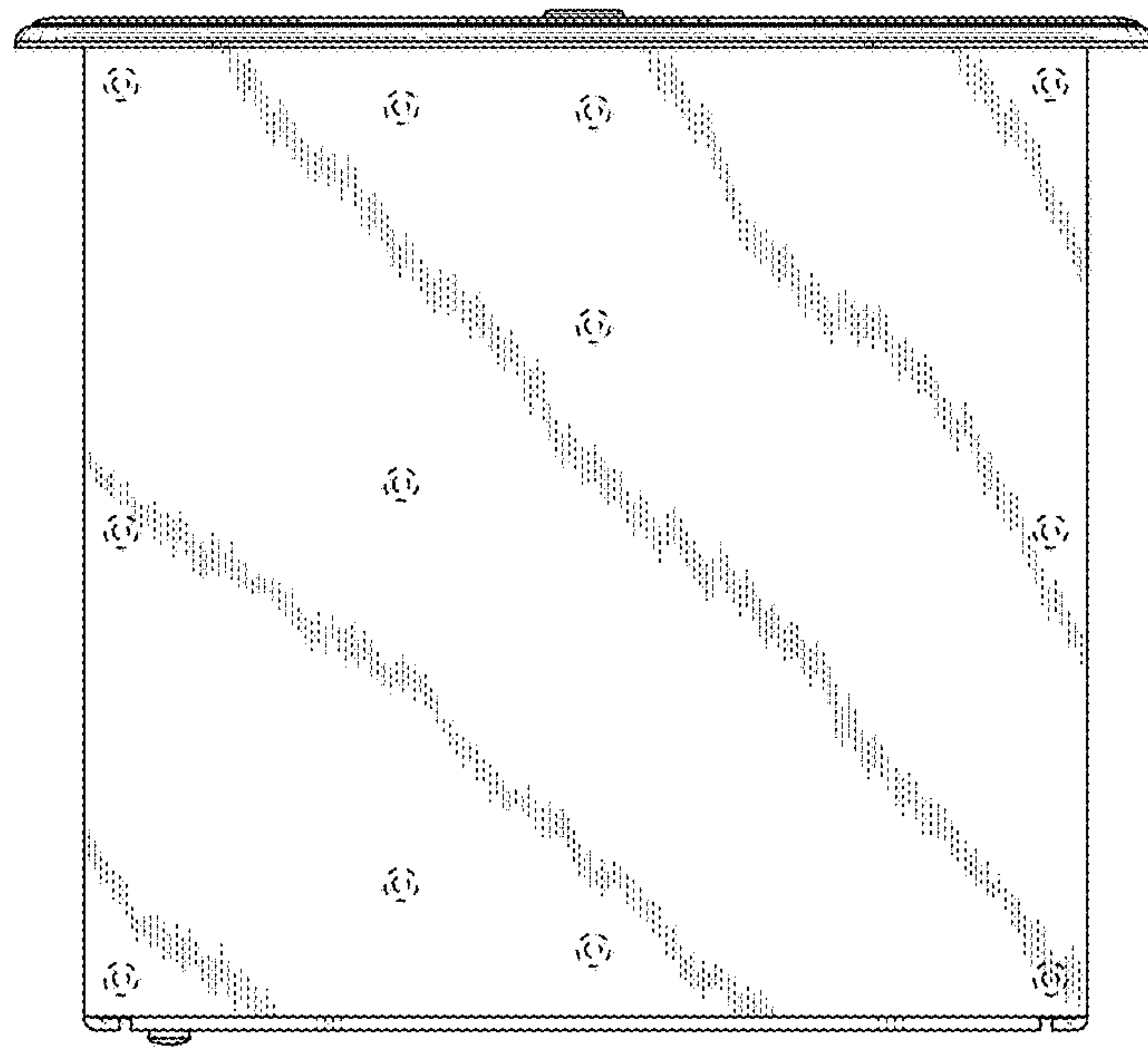


FIG. 6

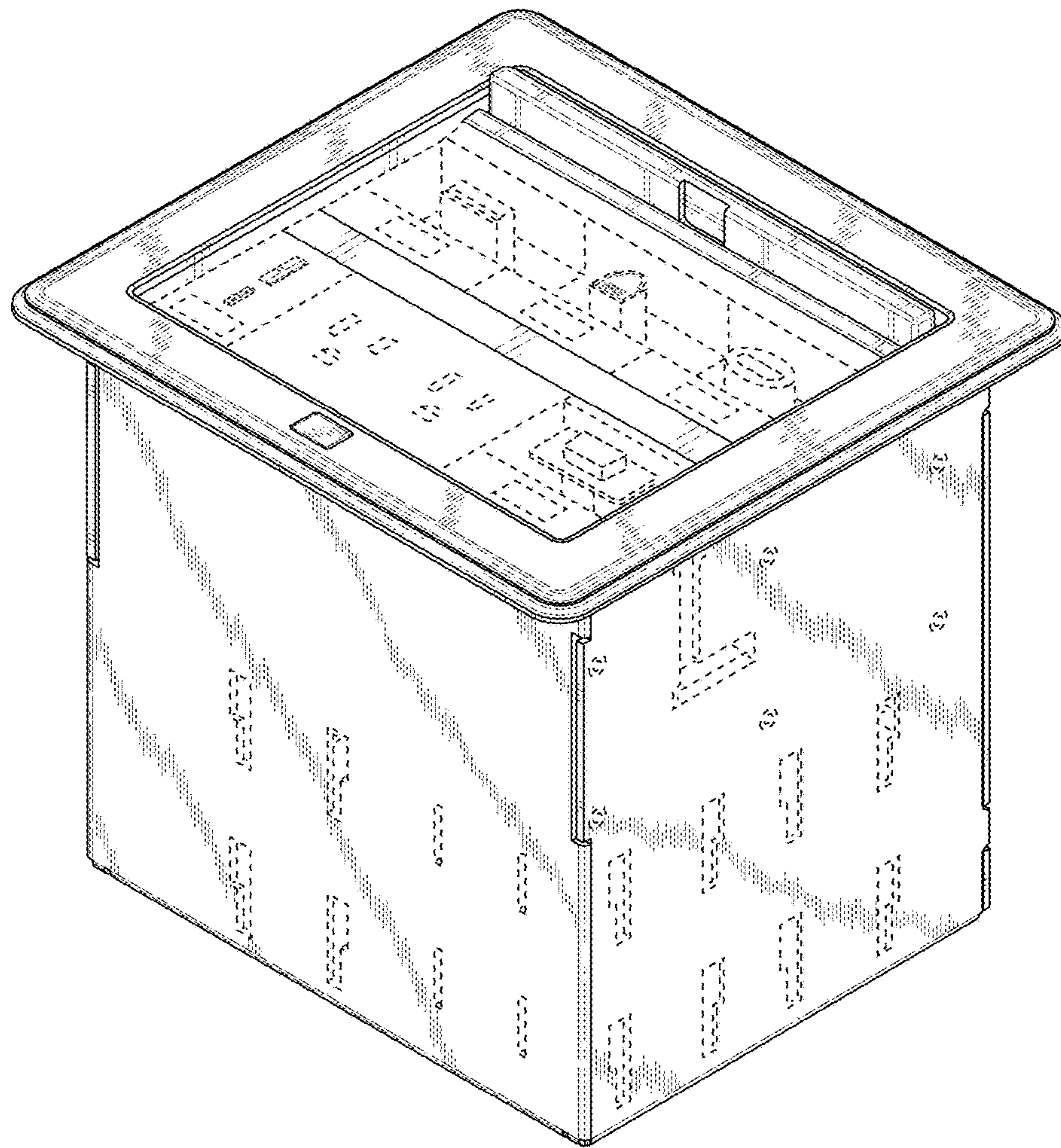


FIG. 7

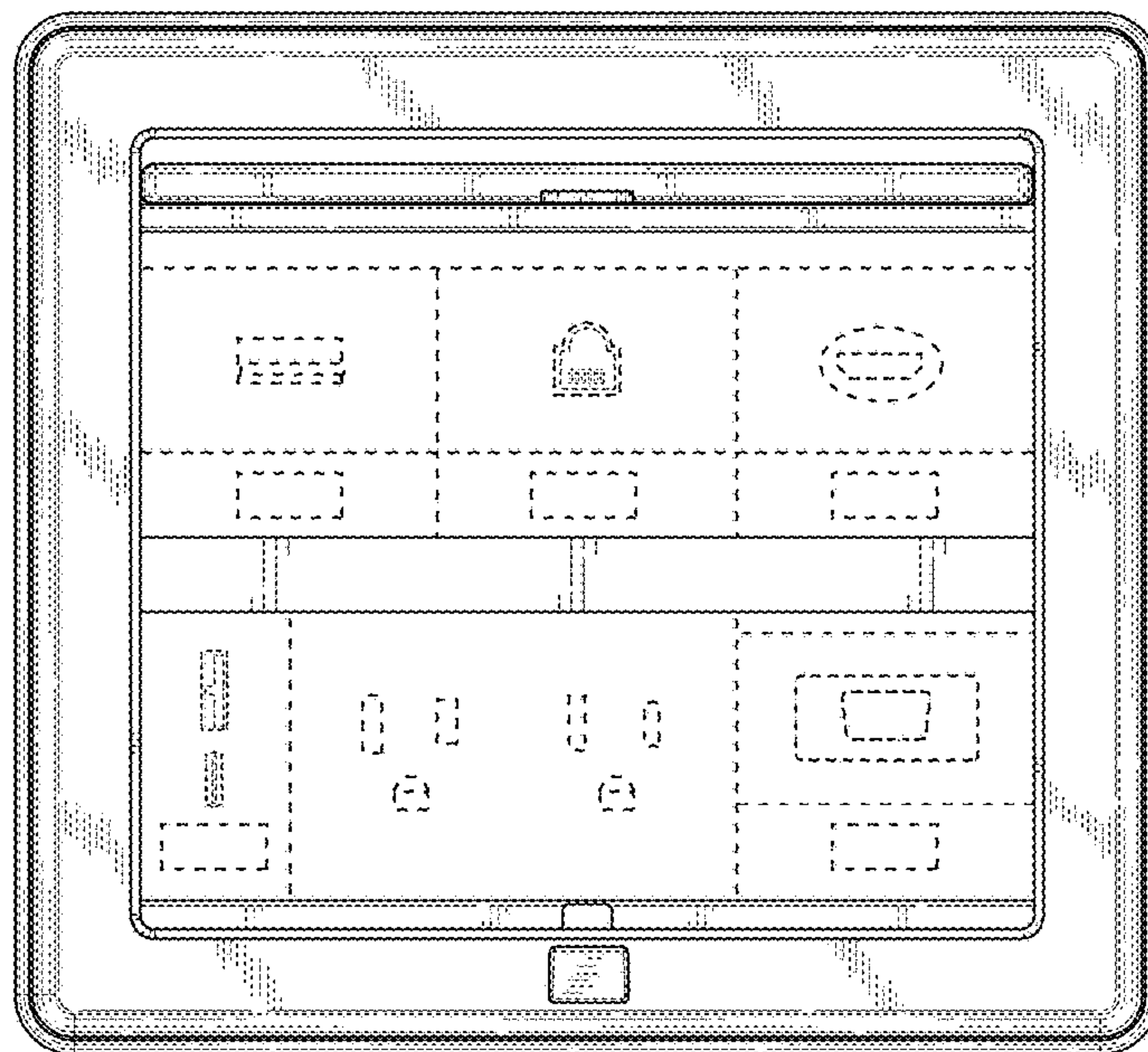


FIG. 8

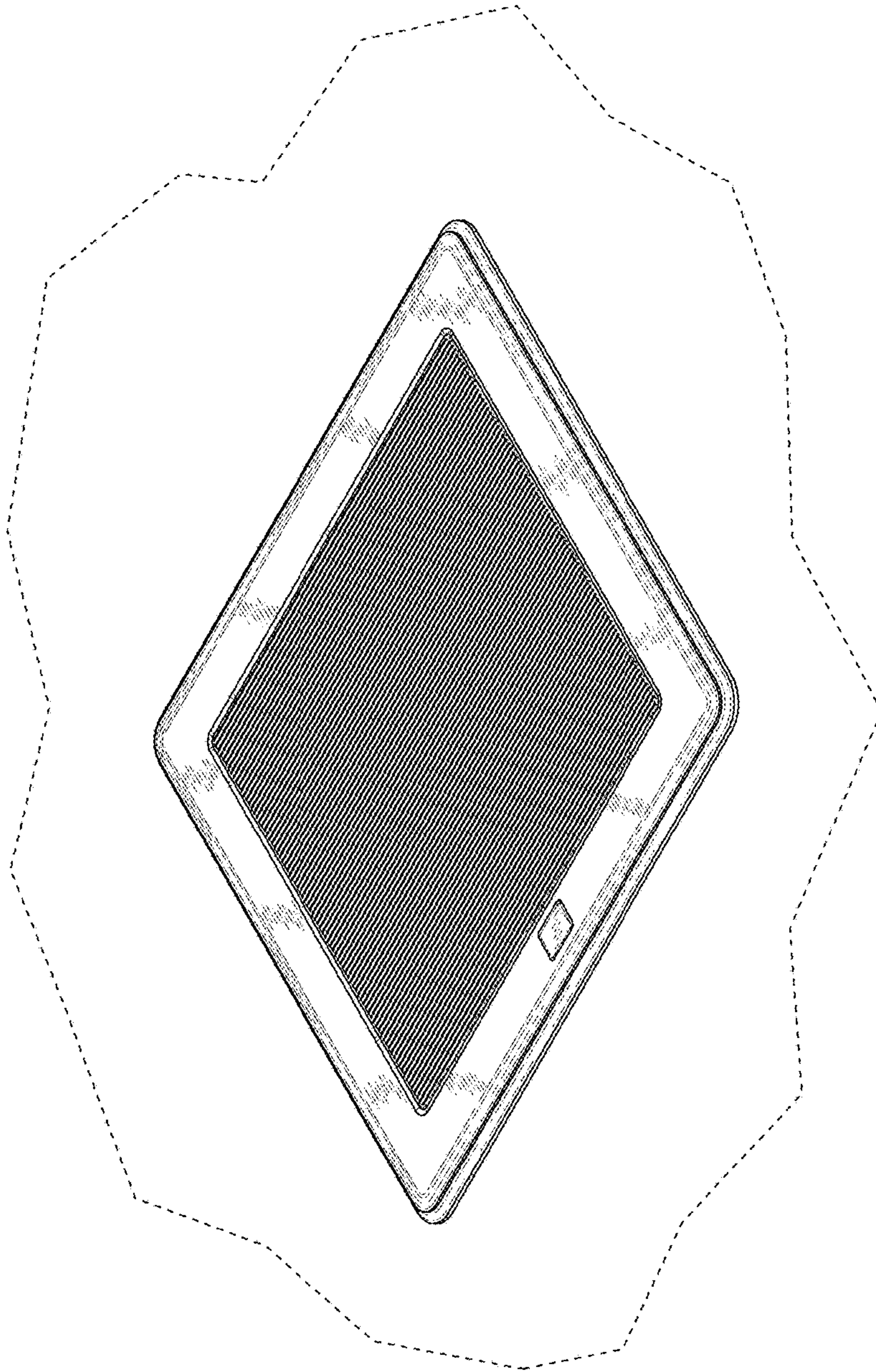


FIG. 9

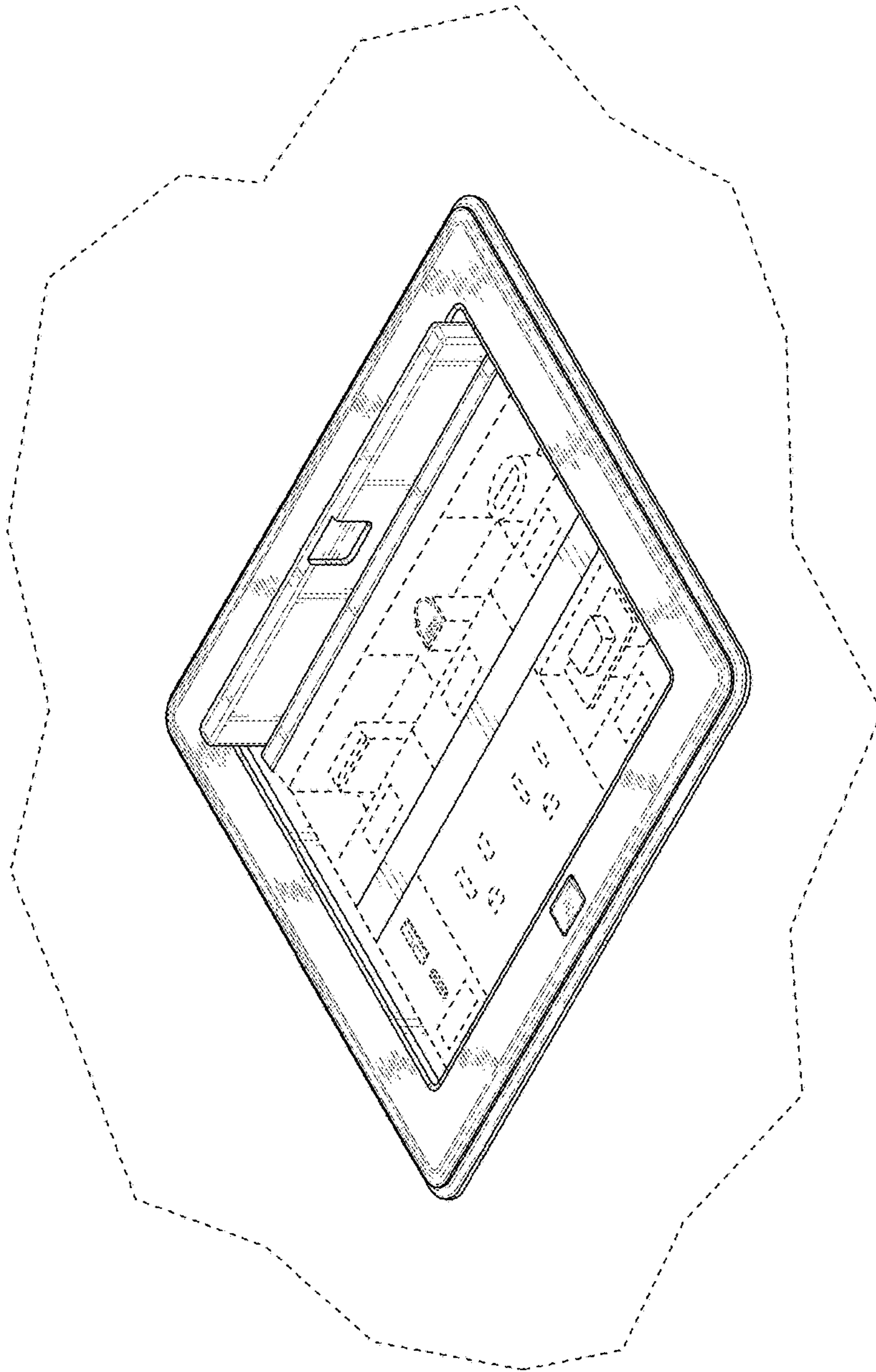


FIG. 10

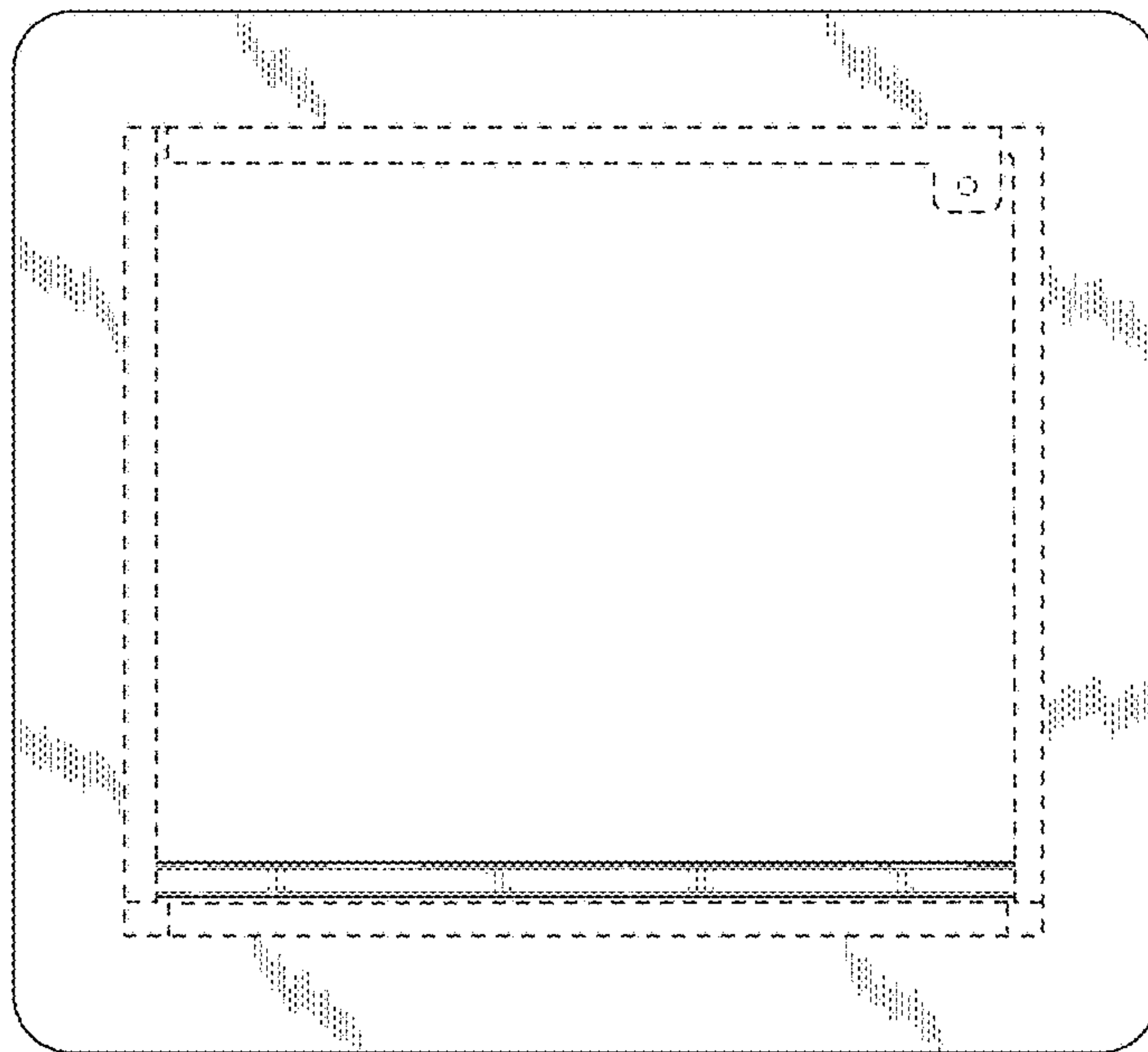


FIG. 11