



US00D860993S

(12) **United States Design Patent**
McDermott et al.

(10) **Patent No.:** **US D860,993 S**

(45) **Date of Patent:** **** Sep. 24, 2019**

(54) **OPTICAL SCANNER**

(71) Applicant: **Hand Held Products, Inc.**, Fort Mill, SC (US)

(72) Inventors: **Brad McDermott**, Hiawatha, IA (US);
Gregory Payne, Charlotte, NC (US);
William Woodburn, Muscatine, IA (US)

(73) Assignee: **Hand Held Products, Inc.**, Fort Mill, SC (US)

(**) Term: **15 Years**

(21) Appl. No.: **29/668,386**

(22) Filed: **Oct. 30, 2018**

Related U.S. Application Data

(63) Continuation of application No. 29/577,136, filed on Sep. 9, 2016, now Pat. No. Des. 836,112.

(51) **LOC (12) Cl.** **14-02**

(52) **U.S. Cl.**
USPC **D14/420**

(58) **Field of Classification Search**

USPC D14/420, 426-430, 453, 421-423, 385;
235/462.01, 462.11, 462.43, 462.45,
235/462.49, 472.01, 385, 454, 381;
382/313, 321, 318; 358/473; 250/215,
250/216; D26/37-50, 24; 362/157, 158,
362/171-174, 183-208; 396/427;
433/222.1, 223, 213-215, 73, 24, 29, 37,
433/202.1; 700/98, 97, 118, 161, 163,
700/182; 264/16, 17, 19, 219, 225;
374/1; 707/104.1; 249/54; 600/590;
D20/1-9; 194/205, 206, 244, 321, 345,
194/346, 350; D18/3.3, 4.4, 12, 49;
D99/28, 43; D13/174; D24/185;
D7/300, 305-313, 316, 320, 605

CPC G06K 7/10584; G06K 7/10613; G06K 7/109;
G06K 7/10693; G06K 7/10871;
G06K 7/1096; G06K 7/10; G06K 7/10564;

(Continued)

(56) **References Cited**

U.S. PATENT DOCUMENTS

D211,487 S 6/1968 Franciscus et al.
D232,410 S 8/1974 Rakocy

(Continued)

Primary Examiner — Susan Moon Lee

(74) *Attorney, Agent, or Firm* — Additon, Higgins & Pendleton, P.A.

(57) **CLAIM**

The ornamental design for an optical scanner, as shown in the accompanying drawings and described above.

DESCRIPTION

FIG. 1 is a top, front right perspective view of an optical scanner in accordance with the present invention.

FIG. 2 is a top, rear left perspective view of the optical scanner of FIG. 1.

FIG. 3 is a bottom, front left perspective view of the optical scanner of FIG. 1.

FIG. 4 is a front elevation view of the optical scanner of FIG. 1.

FIG. 5 is a rear elevation view of the optical scanner of FIG. 1.

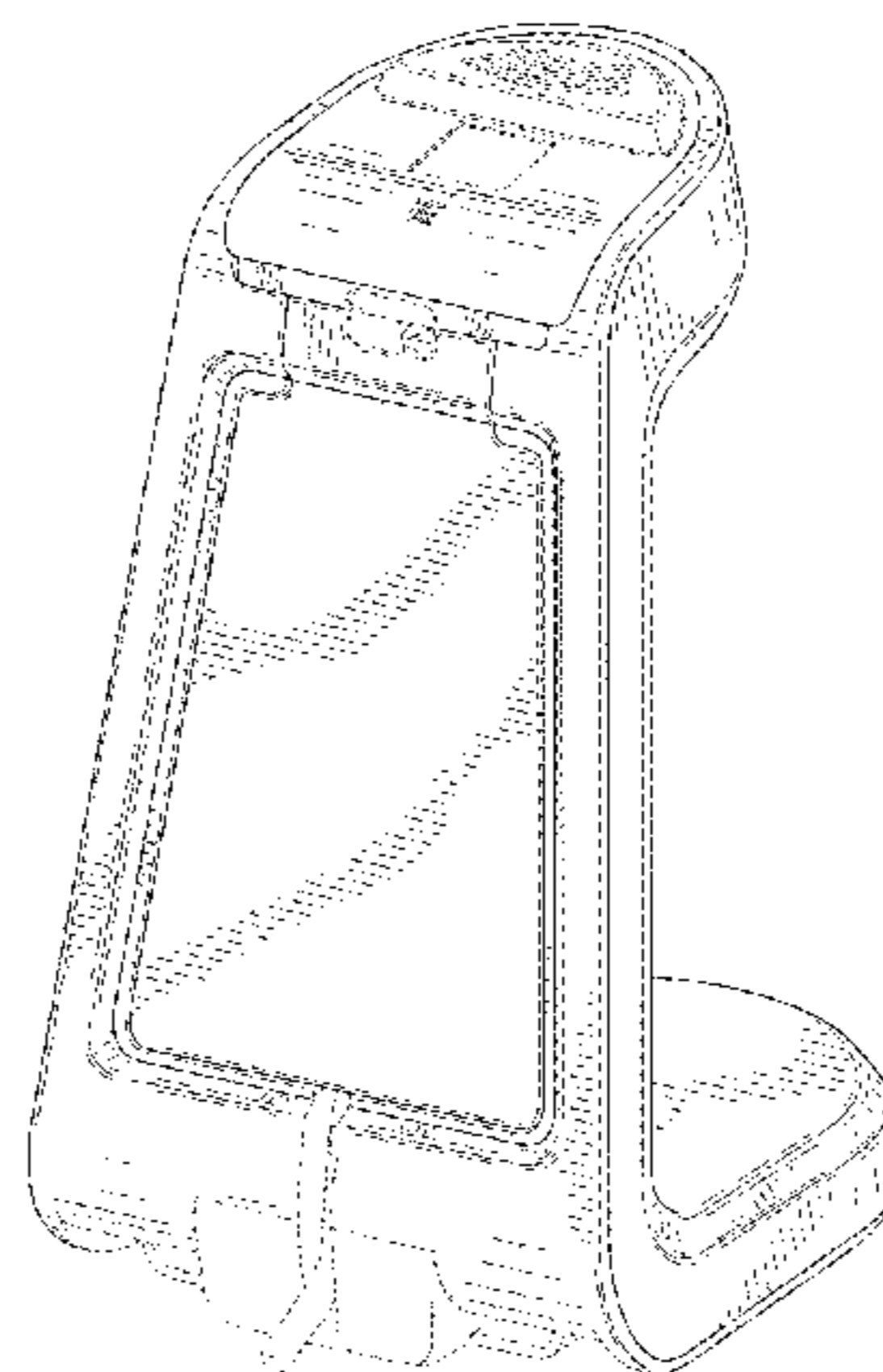
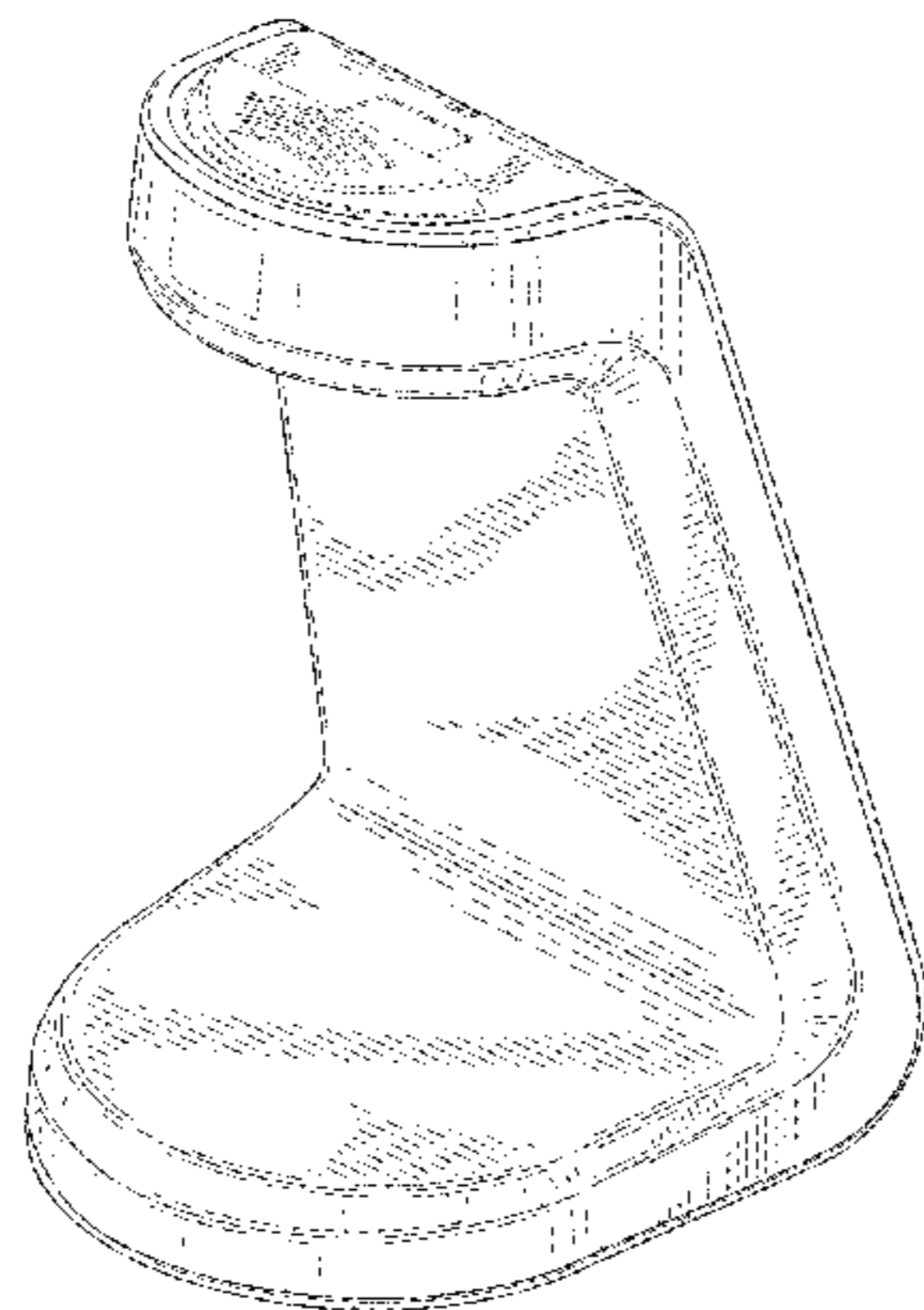
FIG. 6 is right elevation view of the optical scanner of FIG. 1.

FIG. 7 is left elevation view of the optical scanner of FIG. 1.

FIG. 8 is a top plan view of the optical scanner of FIG. 1; and,

FIG. 9 is a bottom plan view of the optical scanner of FIG. 1.

(Continued)



The broken lines shown herein are for illustrative purposes and form no part of the claimed design.

1 Claim, 9 Drawing Sheets

(58) **Field of Classification Search**

CPC G06K 7/10594; G06K 7/10603; G06K 7/10663; G06K 7/10673; G06K 7/10702; G06K 7/10792; G06K 7/10633; G06K 7/10653; G06K 7/10881; G06K 7/10891; G06K 7/14; G06K 7/1443; G06K 7/10801; G06K 7/10811; G06K 7/10851; G06K 7/10861; G06K 2207/1011; G06K 2207/1012; G06K 2207/1013; G06K 2207/1016; G06K 2207/1017; G06K 2207/1018; G06K 2207/10534; G06K 17/0022; A47F 9/046; A47F 9/047; G07G 1/0045; G04N 5/23238; G04N 5/2252; G04N 5/2251; G03B 17/02; B25H 5/00; B66F 7/28; G02B 26/10; G02B 26/106; G07F 11/002; G07F 11/02; G06Q 20/343; G06F 2203/0331

See application file for complete search history.

(56) **References Cited**

U.S. PATENT DOCUMENTS

D234,901 S 4/1975 Mantelet
 D242,587 S * 12/1976 Sklaroff D6/656.15
 D243,308 S * 2/1977 Harms D7/309
 D253,987 S * 1/1980 Painter D7/309
 D254,285 S * 2/1980 Lee D7/309
 D254,286 S 2/1980 Lee
 D257,732 S * 12/1980 Klawitter D21/525
 4,278,225 A * 7/1981 Phelps A61J 1/06
 248/311.3
 D264,581 S * 5/1982 Mobius D13/101
 D267,325 S 12/1982 Zimmerman
 D274,400 S 6/1984 Muller
 D277,539 S 2/1985 Elkerbout
 D283,778 S * 5/1986 Jack D7/309
 D286,957 S * 12/1986 Johnson D11/146
 D287,212 S * 12/1986 Daugherty D7/309
 D291,766 S 9/1987 Steinkamp
 D296,857 S 7/1988 Stutzer
 D296,972 S 8/1988 Roccio
 4,766,297 A * 8/1988 McMillan G06K 7/10861
 235/455
 D300,105 S 3/1989 Klein
 D302,683 S * 8/1989 Iwasaki D14/423
 D305,228 S * 12/1989 Allgeier D14/423
 D317,546 S 6/1991 Rakocy
 D338,366 S 8/1993 Ueda et al.
 D379,349 S 5/1997 Nichols et al.
 D384,651 S 10/1997 Sandor et al.
 D394,778 S 6/1998 Arns et al.
 6,024,526 A * 2/2000 Slocum B25J 17/0216
 414/226.01
 D431,410 S 10/2000 Huang
 D436,612 S * 1/2001 Geng D14/423
 D439,103 S 3/2001 Cruz
 D440,947 S 4/2001 Culberson et al.
 D446,989 S 8/2001 Cruz
 D449,995 S 11/2001 Christianson
 D454,023 S 3/2002 Wang

D463,192 S 9/2002 Uneo et al.
 D463,381 S 9/2002 Westermann
 D472,022 S * 3/2003 Thau D32/1
 D477,082 S 7/2003 Bromley
 D484,355 S 12/2003 De Gooijer
 D487,376 S 3/2004 Uneo
 D489,936 S 5/2004 Smith et al.
 D497,103 S 10/2004 Malloy
 D501,623 S 2/2005 Lin
 D502,841 S 3/2005 Santer
 D509,507 S * 9/2005 Myles D14/420
 D522,794 S 6/2006 Imai
 D533,555 S 12/2006 Odhe et al.
 D541,097 S 4/2007 Leverrier
 D541,572 S 5/2007 Watanabe
 D550,499 S 9/2007 Argabrite et al.
 D553,417 S 10/2007 Schreitmuller
 D555,970 S 11/2007 Schreitmuller et al.
 D559,800 S 1/2008 Neveu
 D577,252 S 9/2008 Kotoku
 D599,606 S 9/2009 Wakita et al.
 D600,493 S 9/2009 Pino et al.
 D617,361 S * 6/2010 Simonsen D16/225
 D617,799 S * 6/2010 Odhe D14/420
 D633,291 S 3/2011 Portney
 D649,826 S 12/2011 Garman
 D670,843 S * 11/2012 von Waldthausen D26/37
 8,490,540 B2 * 7/2013 Webster A47J 31/56
 99/280
 D691,099 S 10/2013 Li et al.
 D700,150 S 2/2014 Li et al.
 D700,607 S 3/2014 Cederstrom
 D702,237 S 4/2014 Oberpriller et al.
 D705,743 S 5/2014 Porter et al.
 D705,744 S 5/2014 Porter et al.
 D707,640 S 6/2014 Li et al.
 8,777,109 B2 * 7/2014 Oberpriller G06K 7/1095
 235/375
 D713,667 S 9/2014 Marsland
 D714,233 S 9/2014 Dorn et al.
 D717,289 S * 11/2014 Takabatake D14/252
 D719,954 S * 12/2014 Sun D14/423
 D720,305 S 12/2014 Wenji
 D733,078 S 6/2015 Wu
 D737,227 S 8/2015 Hamlin
 D737,452 S 8/2015 Park
 D739,677 S 9/2015 Du
 D742,878 S * 11/2015 Sedlmeir D14/385
 9,183,426 B2 11/2015 Gannon
 D748,590 S 2/2016 Dorn et al.
 D755,556 S 5/2016 Bandixen et al.
 D757,478 S 5/2016 Bandixen et al.
 D760,529 S * 7/2016 Hakansson D7/306
 D771,993 S 11/2016 Cai et al.
 D775,887 S * 1/2017 Atkin D7/306
 D777,498 S 1/2017 Bandixen et al.
 9,542,017 B2 1/2017 Sakai
 9,646,781 B1 5/2017 Gluchman, Jr. et al.
 D807,836 S 1/2018 Johnson et al.
 D823,039 S * 7/2018 Grassia D7/309
 D836,112 S * 12/2018 McDermott D14/420
 D840,400 S * 2/2019 Wang D14/388
 D844,472 S * 4/2019 Van Wijngaarden D10/97
 2008/0007736 A1 * 1/2008 Kammer G01C 11/00
 356/606
 2011/0108403 A1 5/2011 Kukita
 2012/0145793 A1 * 6/2012 Kearney G06K 7/109
 235/472.02
 2013/0262730 A1 10/2013 Al-Ali
 2014/0374482 A1 * 12/2014 Mazzone G06K 7/10732
 235/455

* cited by examiner

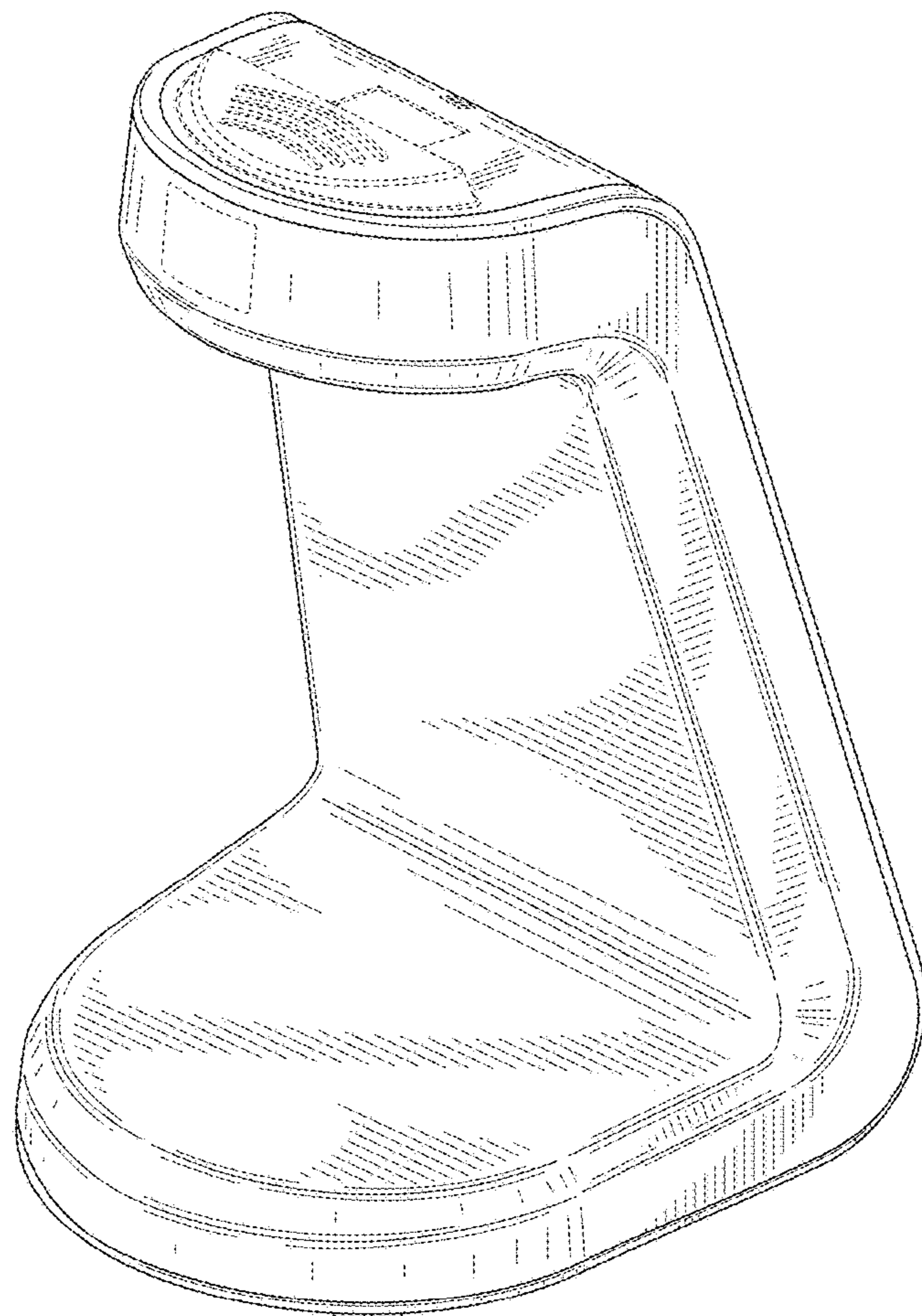


FIG. 1

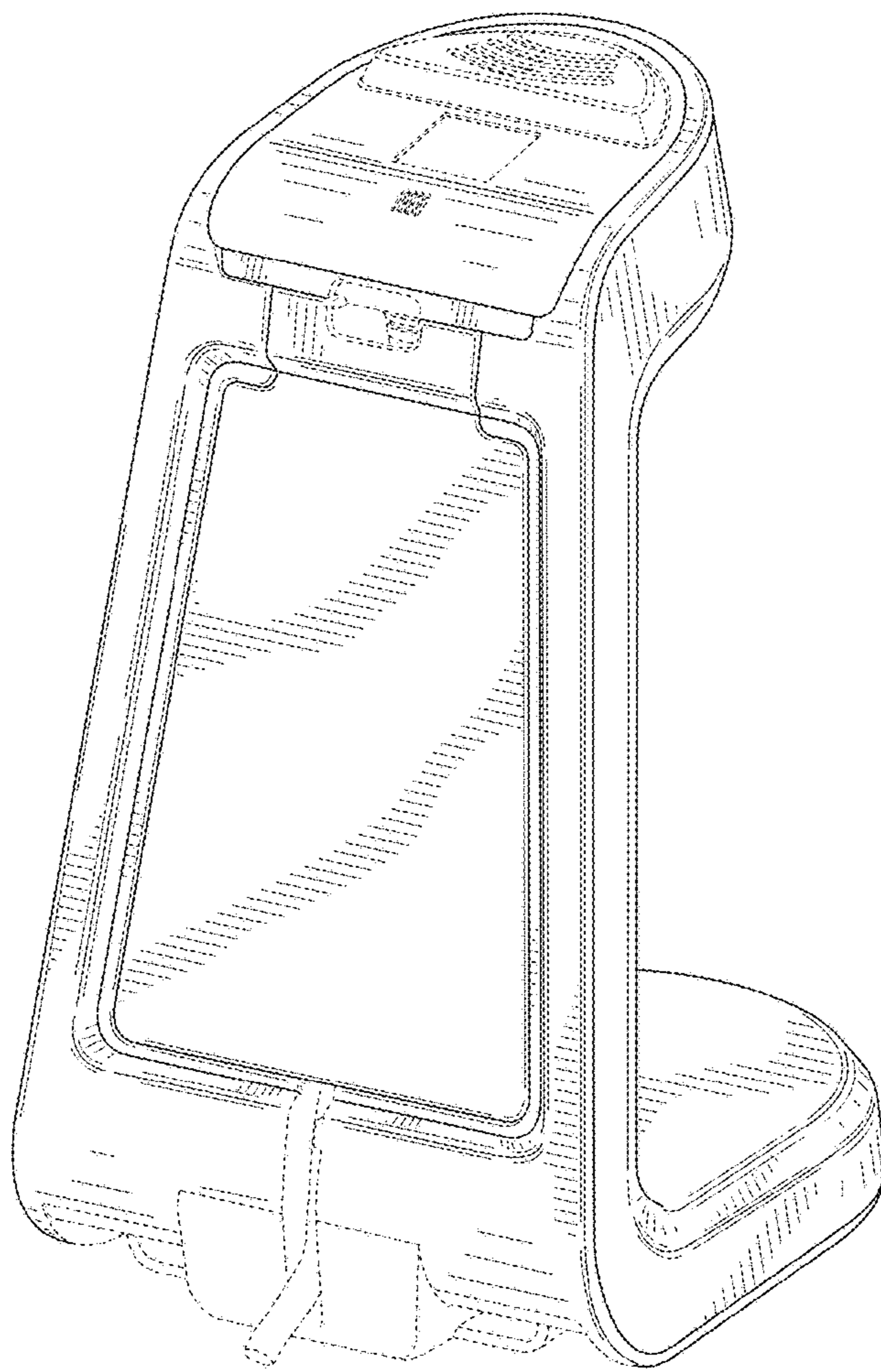


FIG. 2

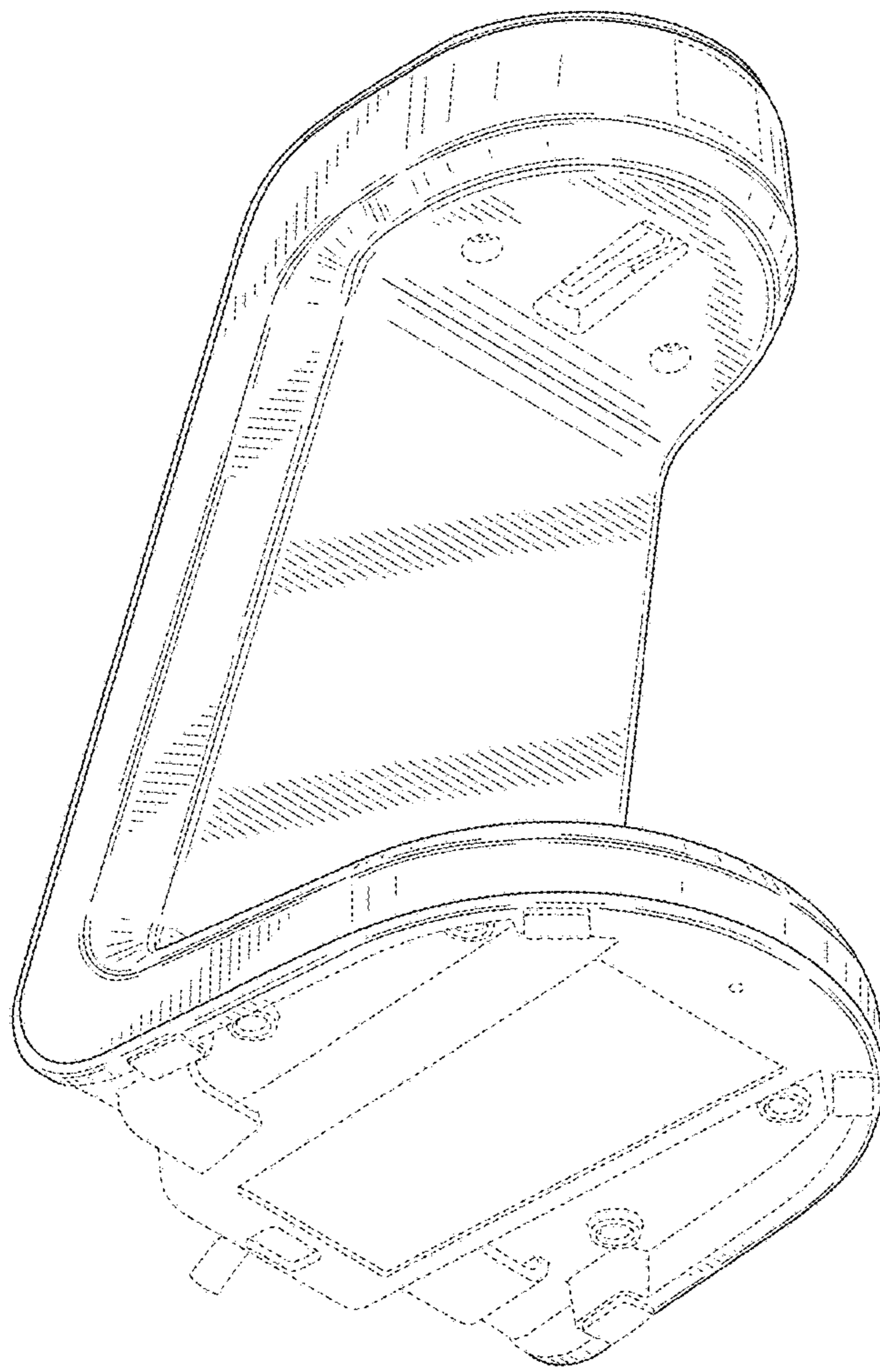


FIG. 3

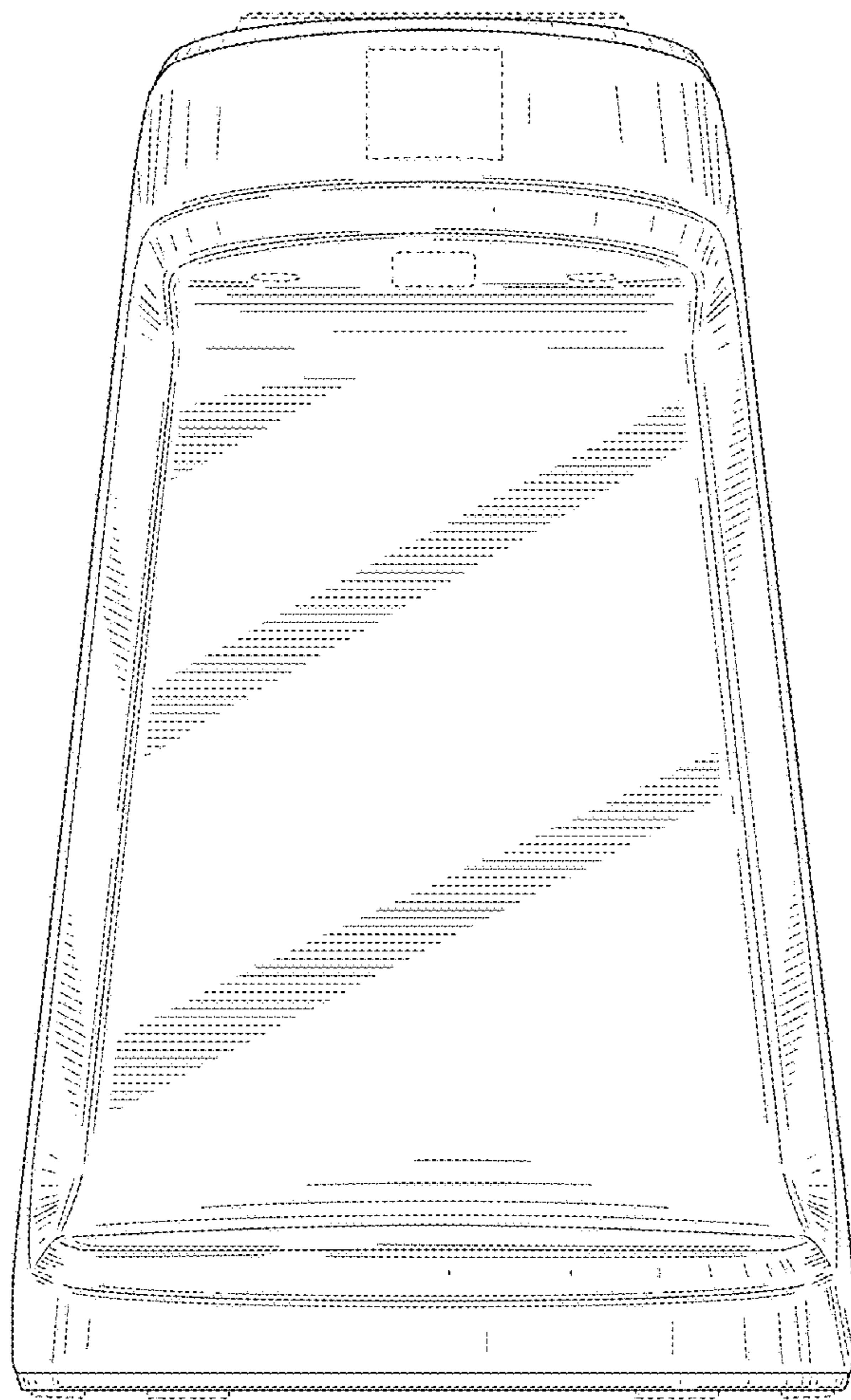


FIG. 4

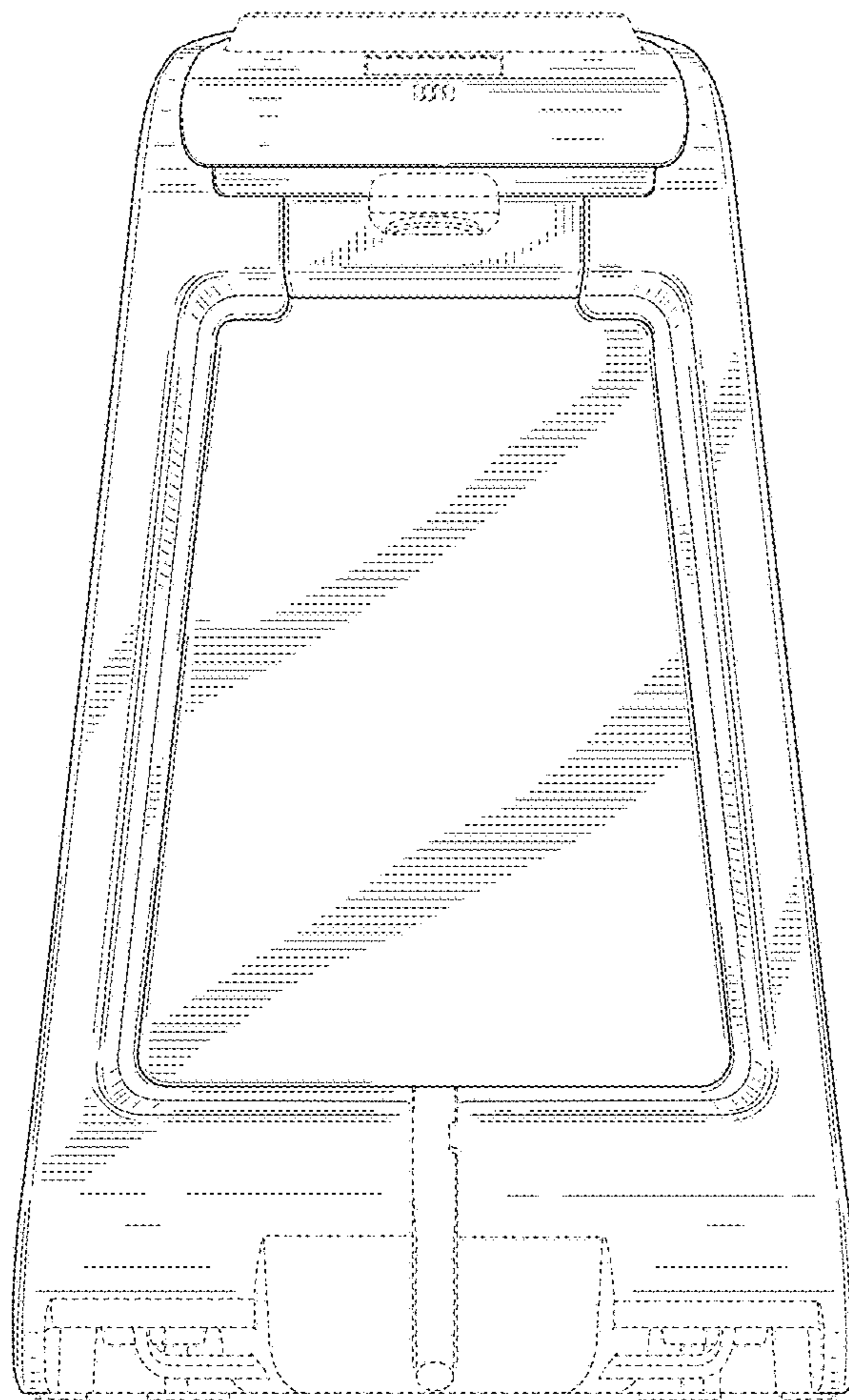


FIG. 5

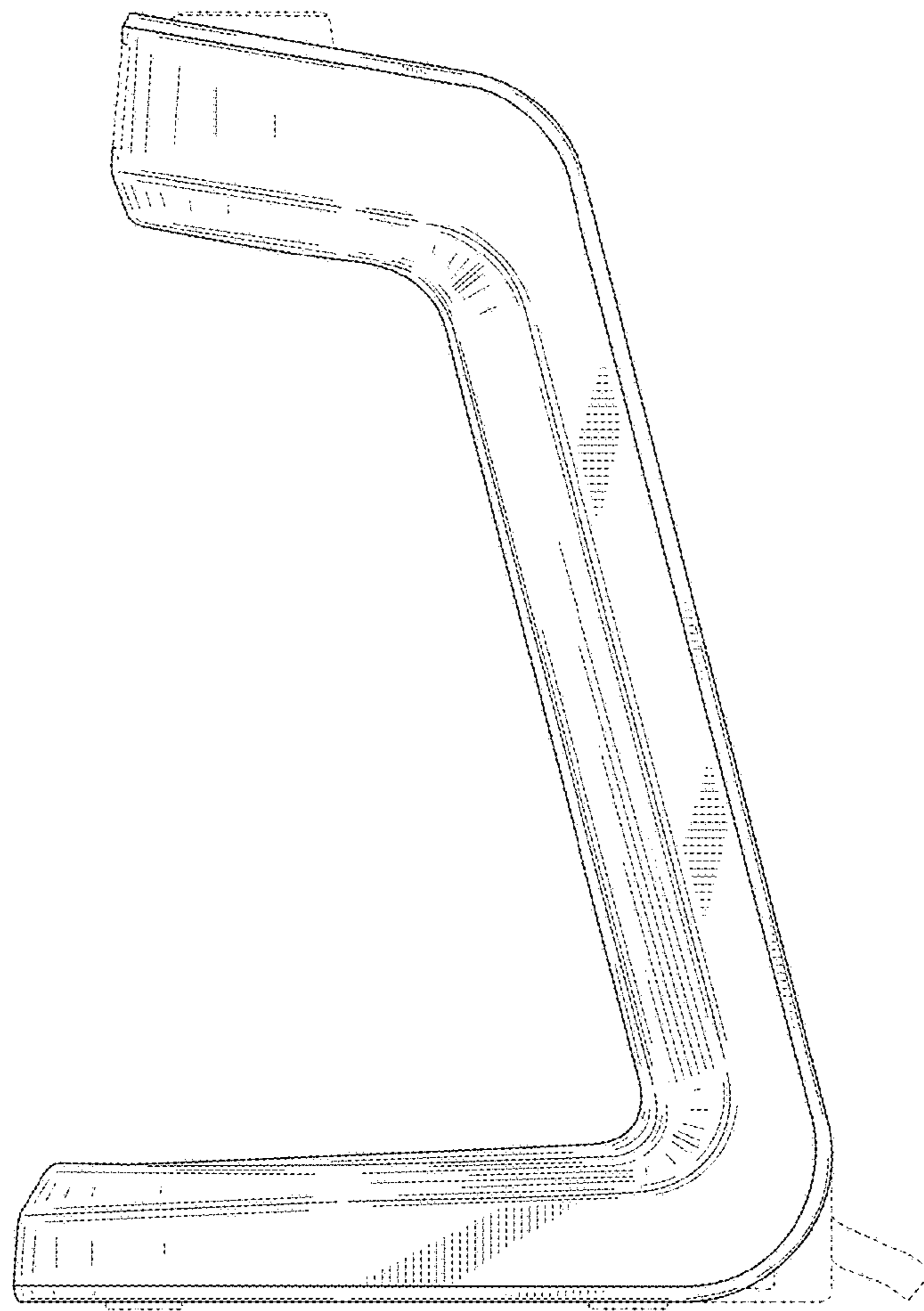


FIG. 6

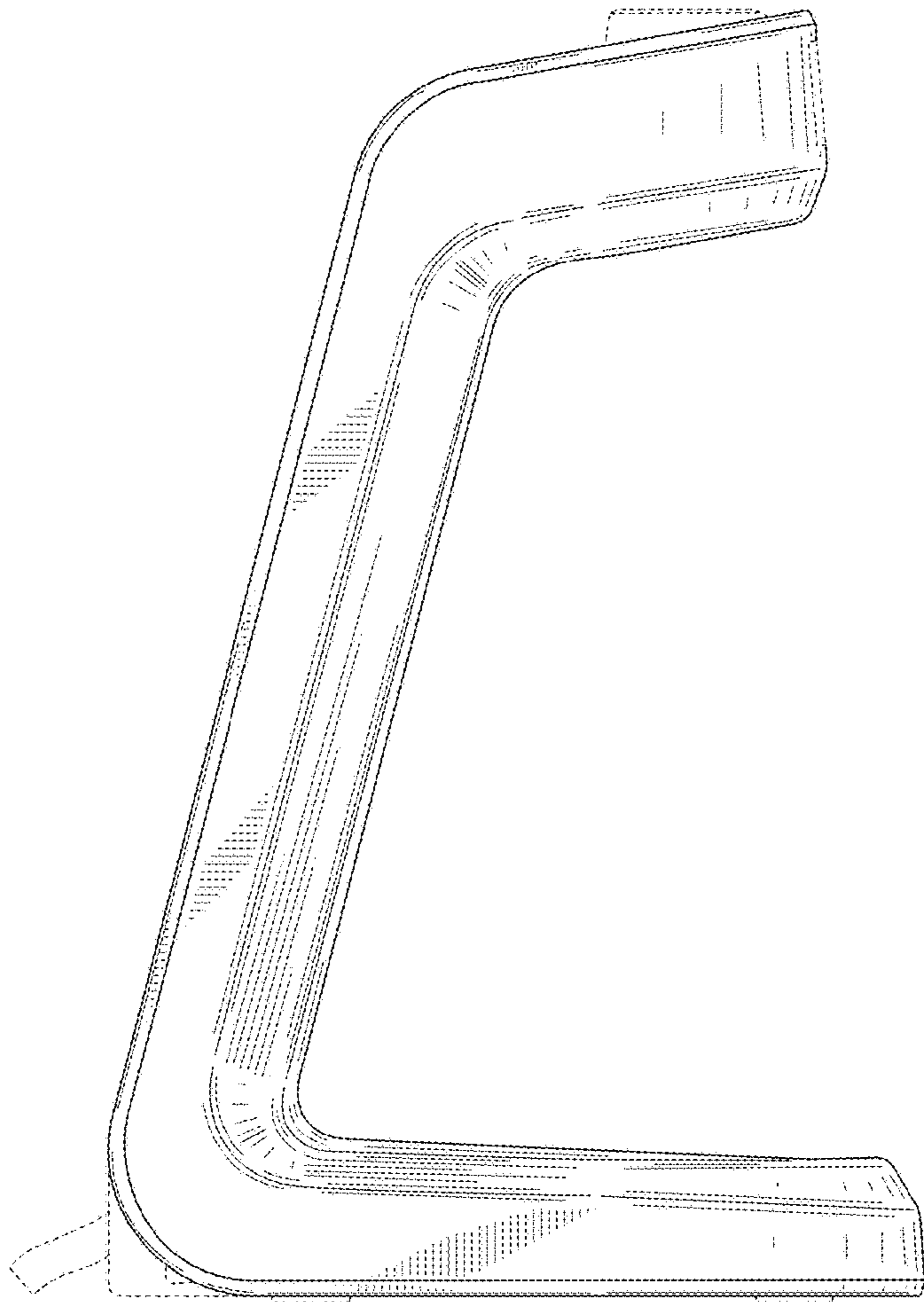


FIG. 7

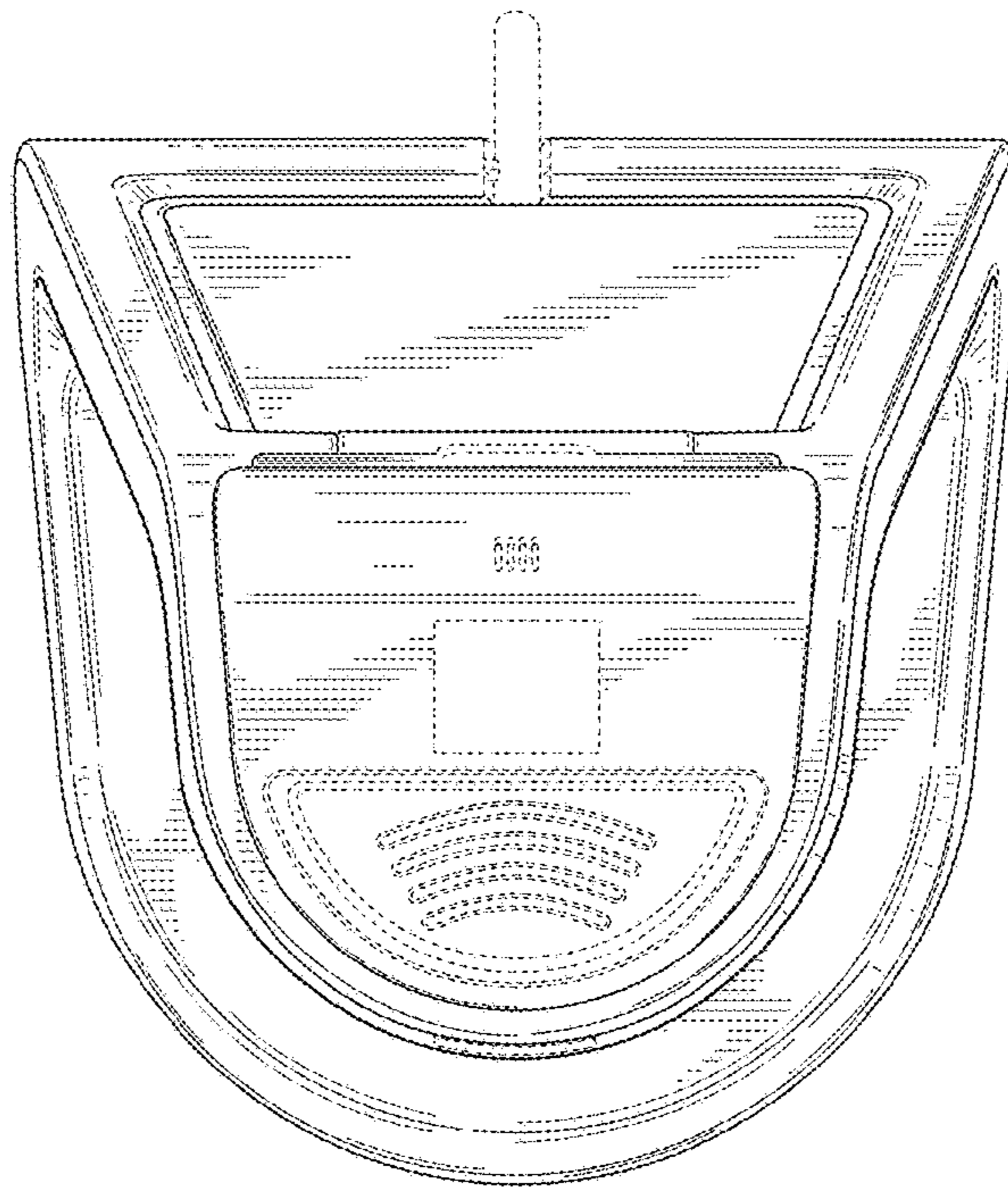


FIG. 8

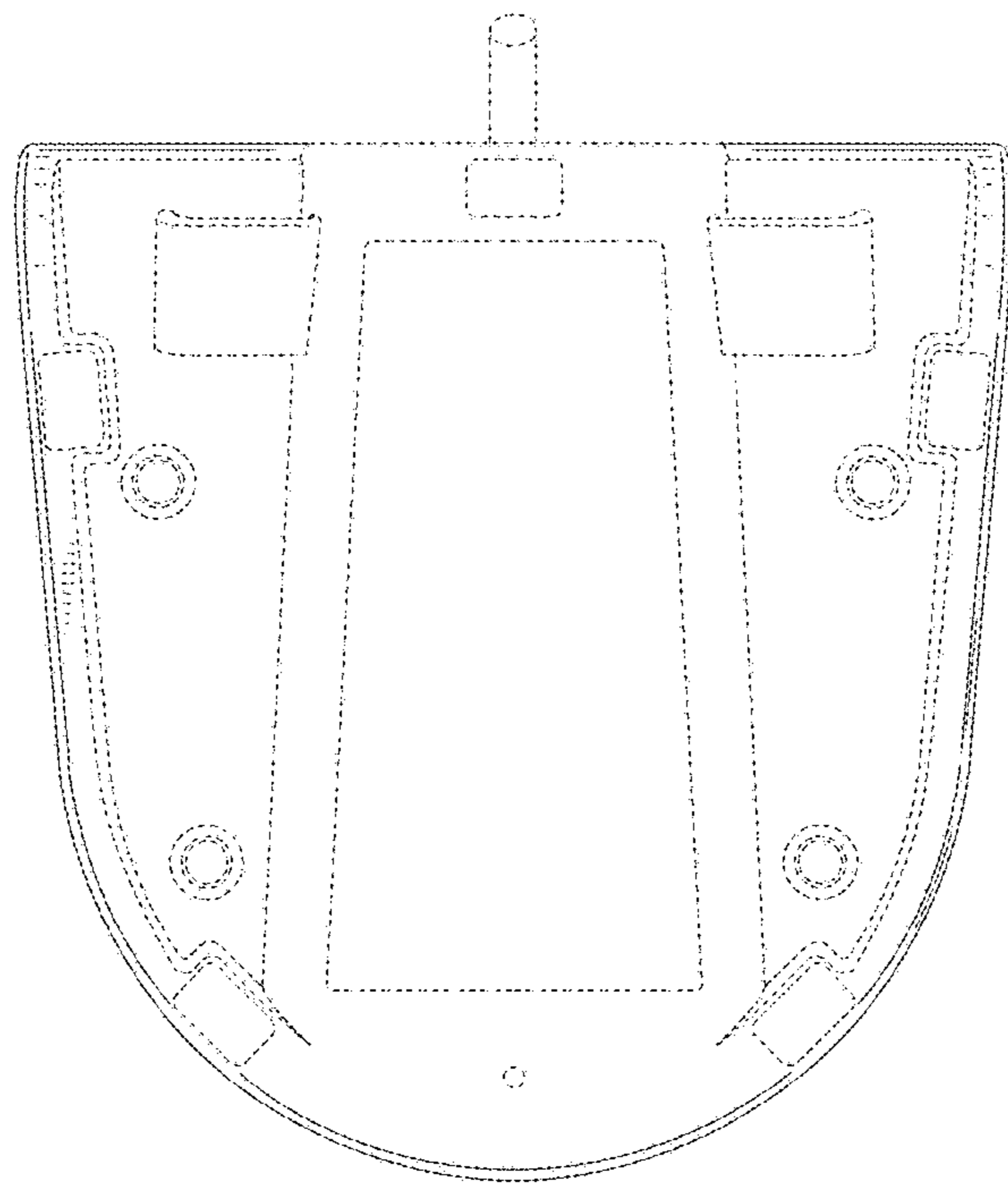


FIG. 9