

US00D860992S

(12) **United States Design Patent** (10) **Patent No.:** **US D860,992 S**
Bristol et al. (45) **Date of Patent:** **** Sep. 24, 2019**

(54) **HEAD-MOUNTED DISPLAY**

(71) Applicant: **Facebook Technologies, LLC**, Menlo Park, CA (US)

(72) Inventors: **Peter Wesley Bristol**, Seattle, WA (US); **Yi-Yaun Chen**, Seattle, WA (US); **Scott Andrew Dallmeyer**, Seattle, WA (US); **Mauricio Romano**, Redmond, WA (US)

(73) Assignee: **Facebook Technologies, LLC**, Menlo Park, CA (US)

(**) Term: **15 Years**

(21) Appl. No.: **29/611,083**

(22) Filed: **Jul. 18, 2017**

(51) **LOC (12) Cl.** **14-02**

(52) **U.S. Cl.**
USPC **D14/372**

(58) **Field of Classification Search**
USPC D14/372, 496, 432, 371, 125, 126, 129, D14/299; D16/300–342; 351/158, 153, 351/144; 345/7–9, 905; 455/344; 348/115, 53, 121, 739
CPC G02B 27/017; G02B 27/0158; G02B 27/0161; G02B 27/0181; G02B 27/0185; G02B 27/0189
See application file for complete search history.

D791,129 S 7/2017 Sullivan et al.
D792,399 S * 7/2017 Thomas D14/372
D799,482 S * 10/2017 Thomas D14/372
D800,116 S * 10/2017 Yee D14/372
D800,117 S 10/2017 Yee et al.
D801,969 S * 11/2017 Yee D14/372
D801,970 S 11/2017 Sullivan et al.
9,832,561 B2 11/2017 Morris et al.
D805,515 S * 12/2017 Bowes D14/372
D806,073 S * 12/2017 Li D14/372
D807,354 S 1/2018 Yee et al.
D810,743 S 2/2018 Yee et al.
D815,637 S * 4/2018 Li D14/372
D822,659 S * 7/2018 Spio D14/372
D831,029 S * 10/2018 Gu D14/372
D834,018 S * 11/2018 Wei D14/372
D834,019 S * 11/2018 Dallmeyer D14/372
D835,102 S * 12/2018 Raffle D14/372

* cited by examiner

Primary Examiner — Austin Murphy

(74) *Attorney, Agent, or Firm* — Fenwick & West LLP

(57) **CLAIM**

The ornamental design for a head-mounted display, as shown and described.

DESCRIPTION

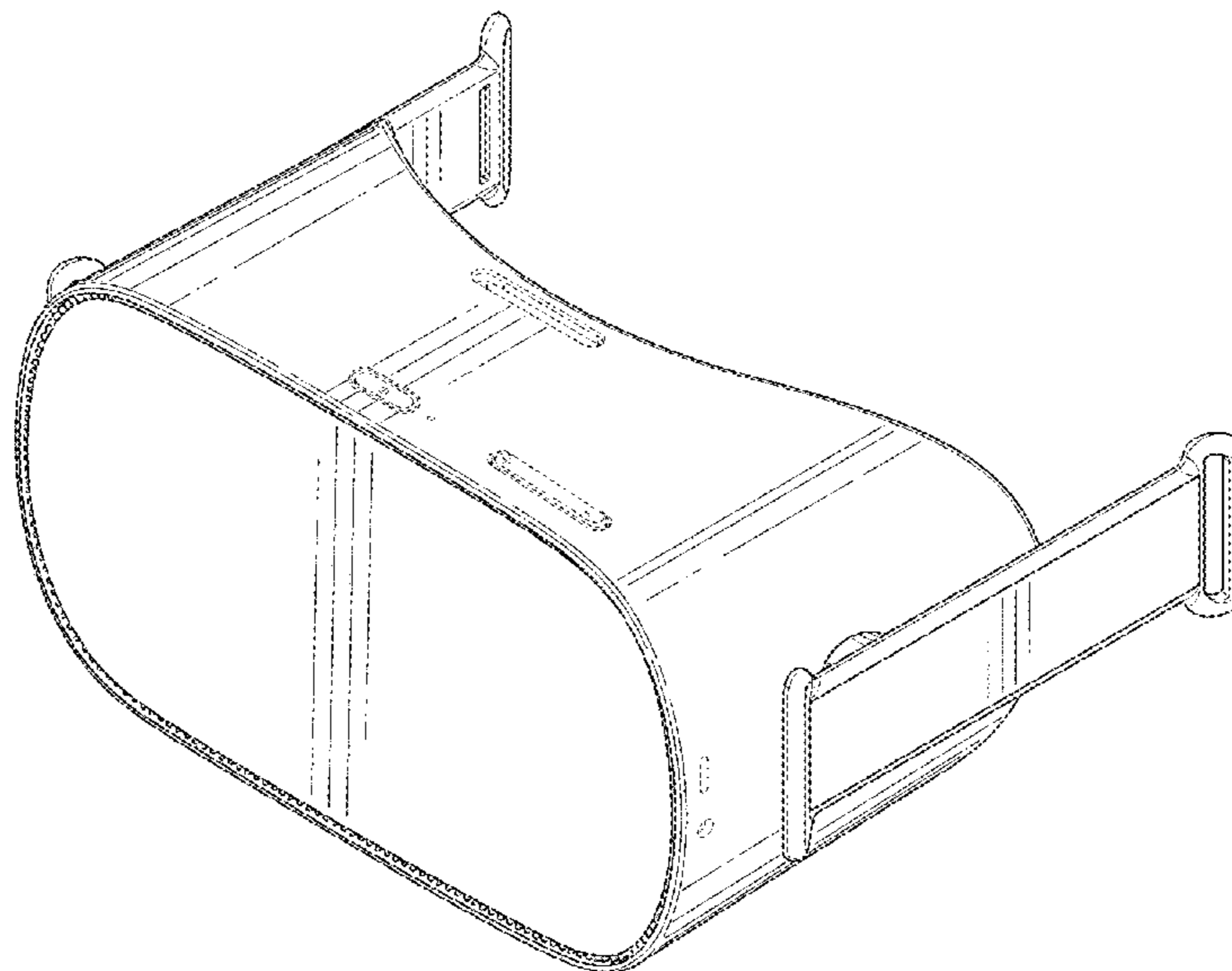
FIG. 1 is a top and right perspective view of a head-mounted display;
FIG. 2 is a front view thereof;
FIG. 3 is a rear view thereof;
FIG. 4 is a left view thereof;
FIG. 5 is a right view thereof;
FIG. 6 is a top view thereof; and,
FIG. 7 is a bottom view thereof.

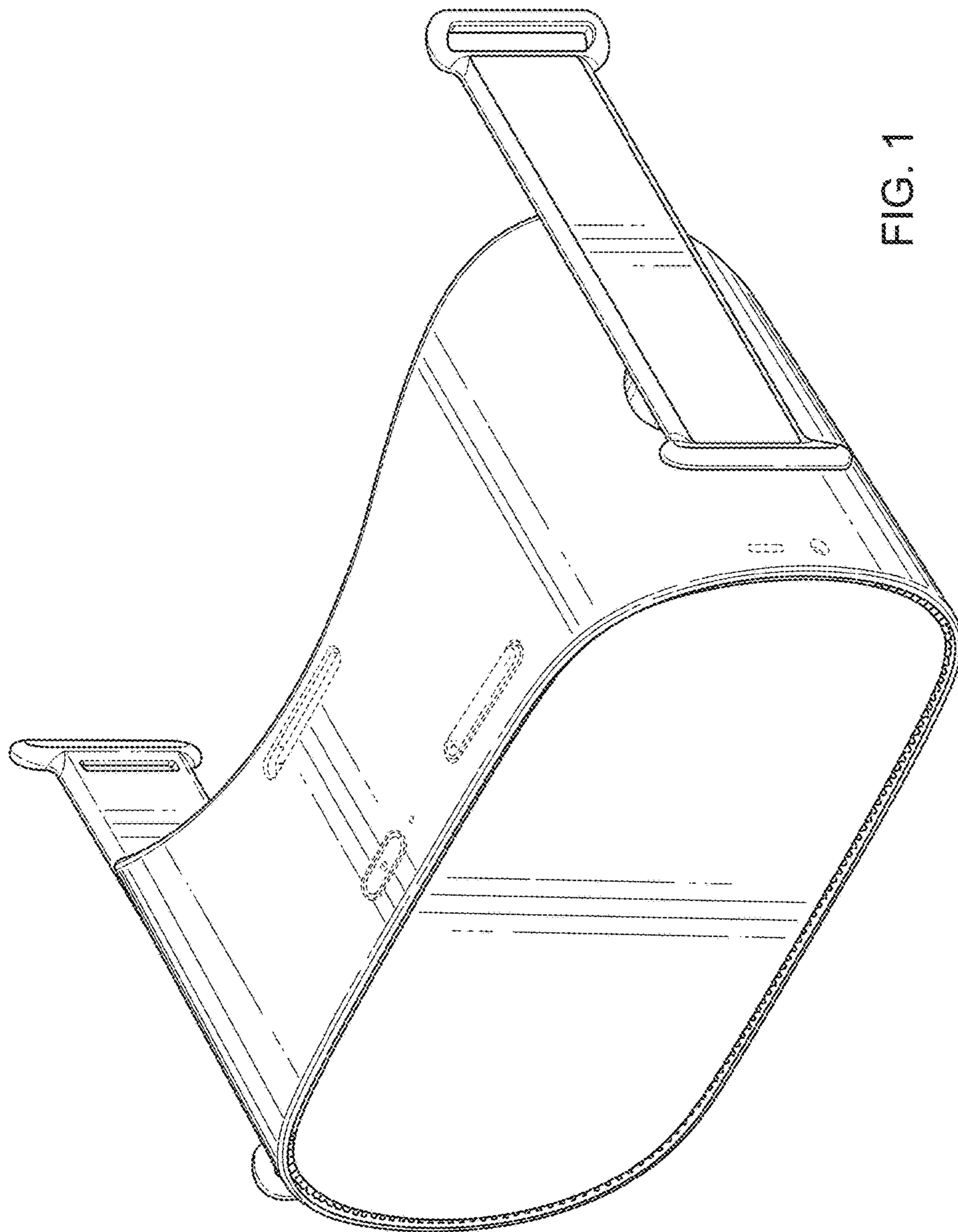
The broken lines in the drawings are included for the purpose of illustrating environmental structure and form no part of the claimed design.

1 Claim, 7 Drawing Sheets

(56) **References Cited**
U.S. PATENT DOCUMENTS

D719,953 S	12/2014	Nokuo et al.
D741,327 S	10/2015	Reznik
D753,111 S	4/2016	Fei et al.
D759,015 S	6/2016	Mehin et al.
D785,619 S	5/2017	Su





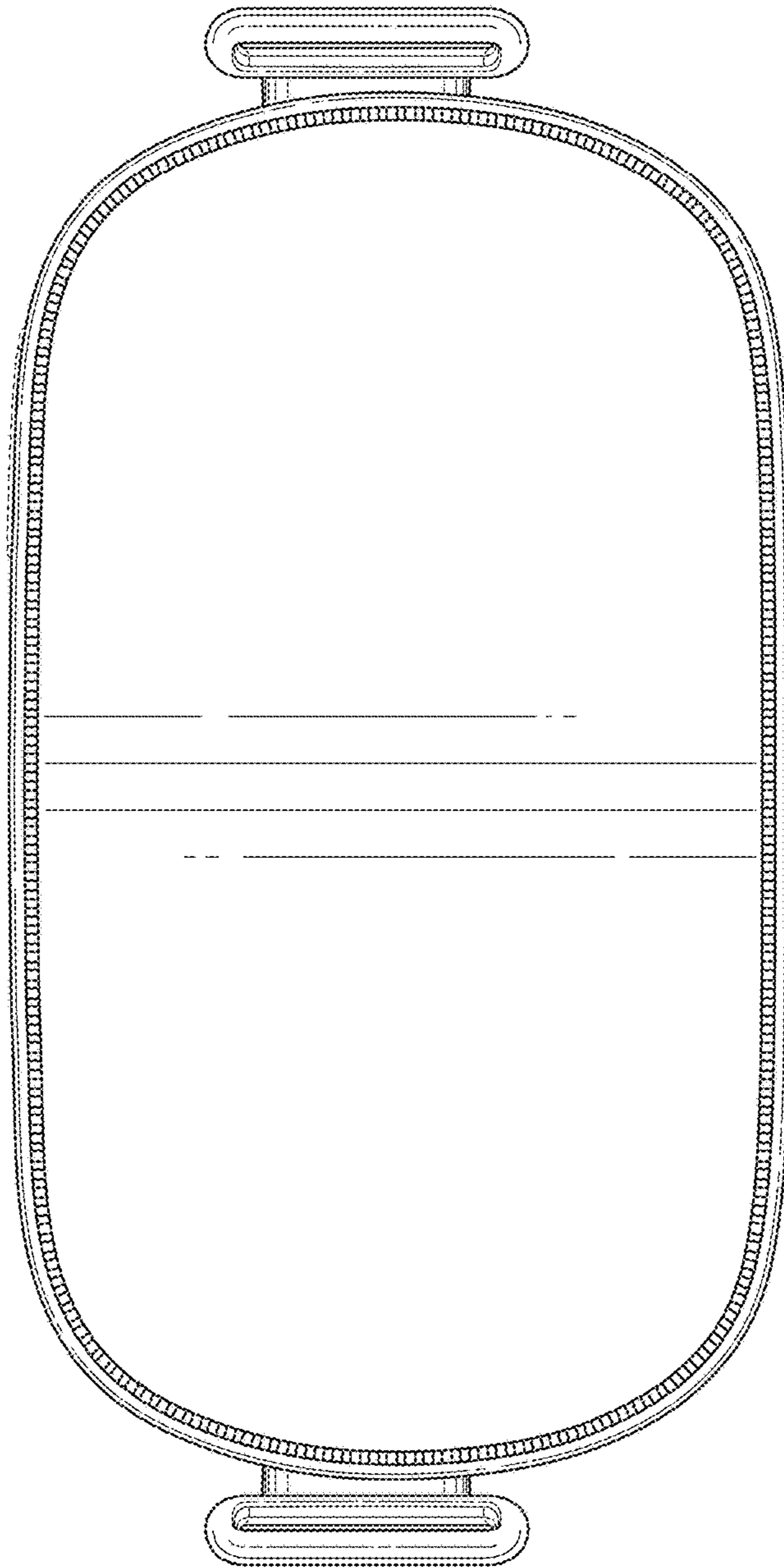


FIG. 2

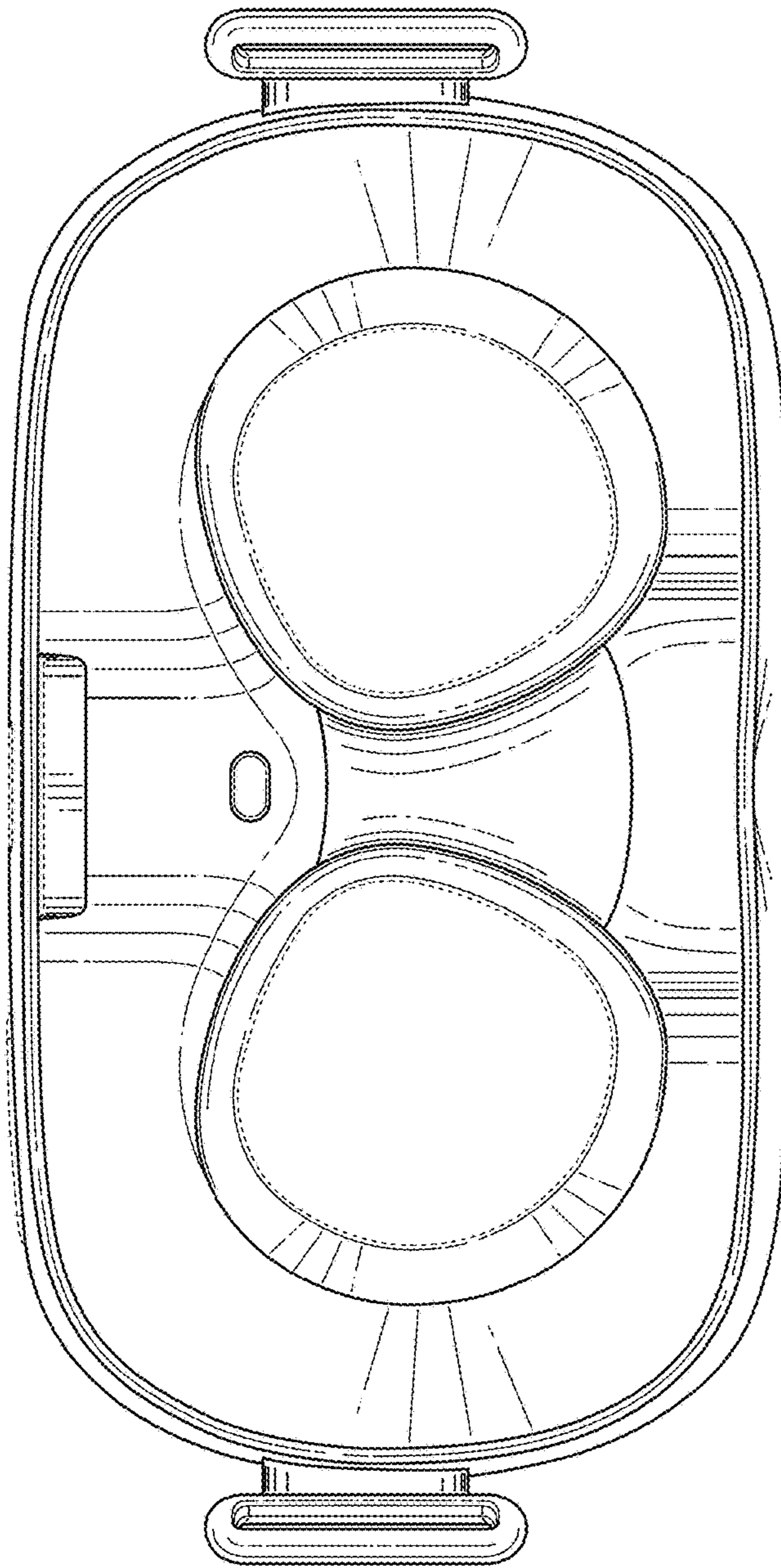


FIG. 3

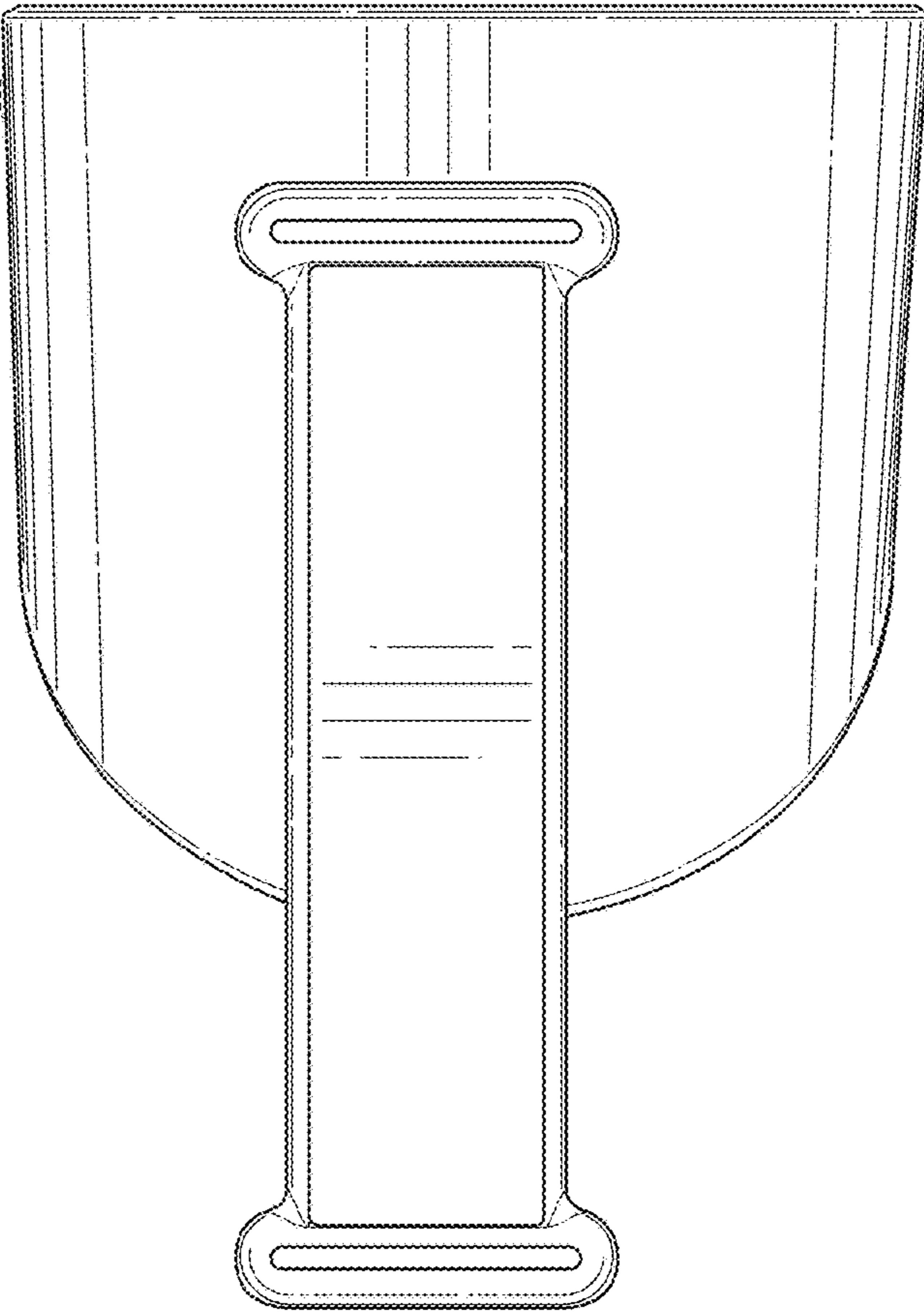


FIG. 4

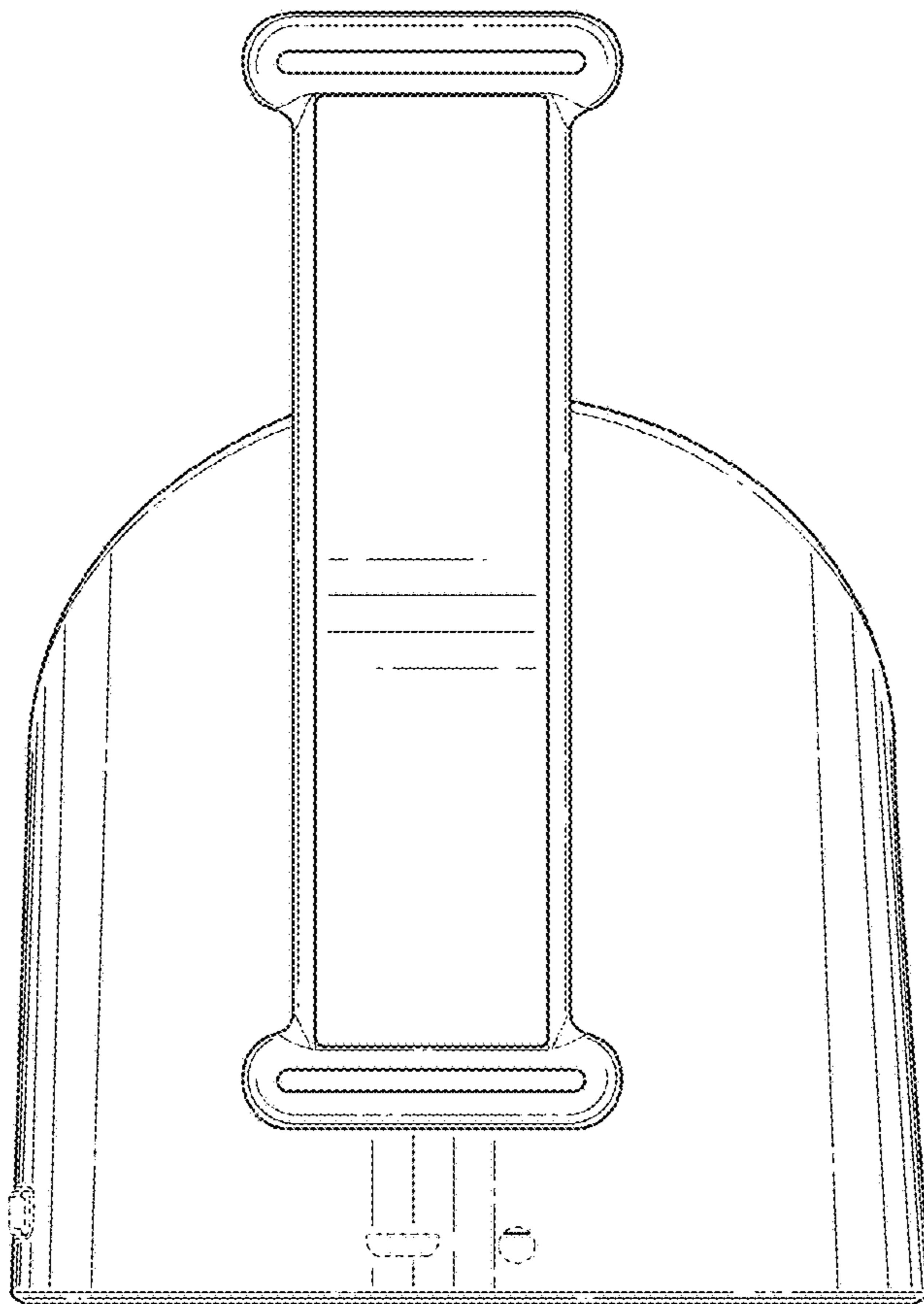


FIG. 5

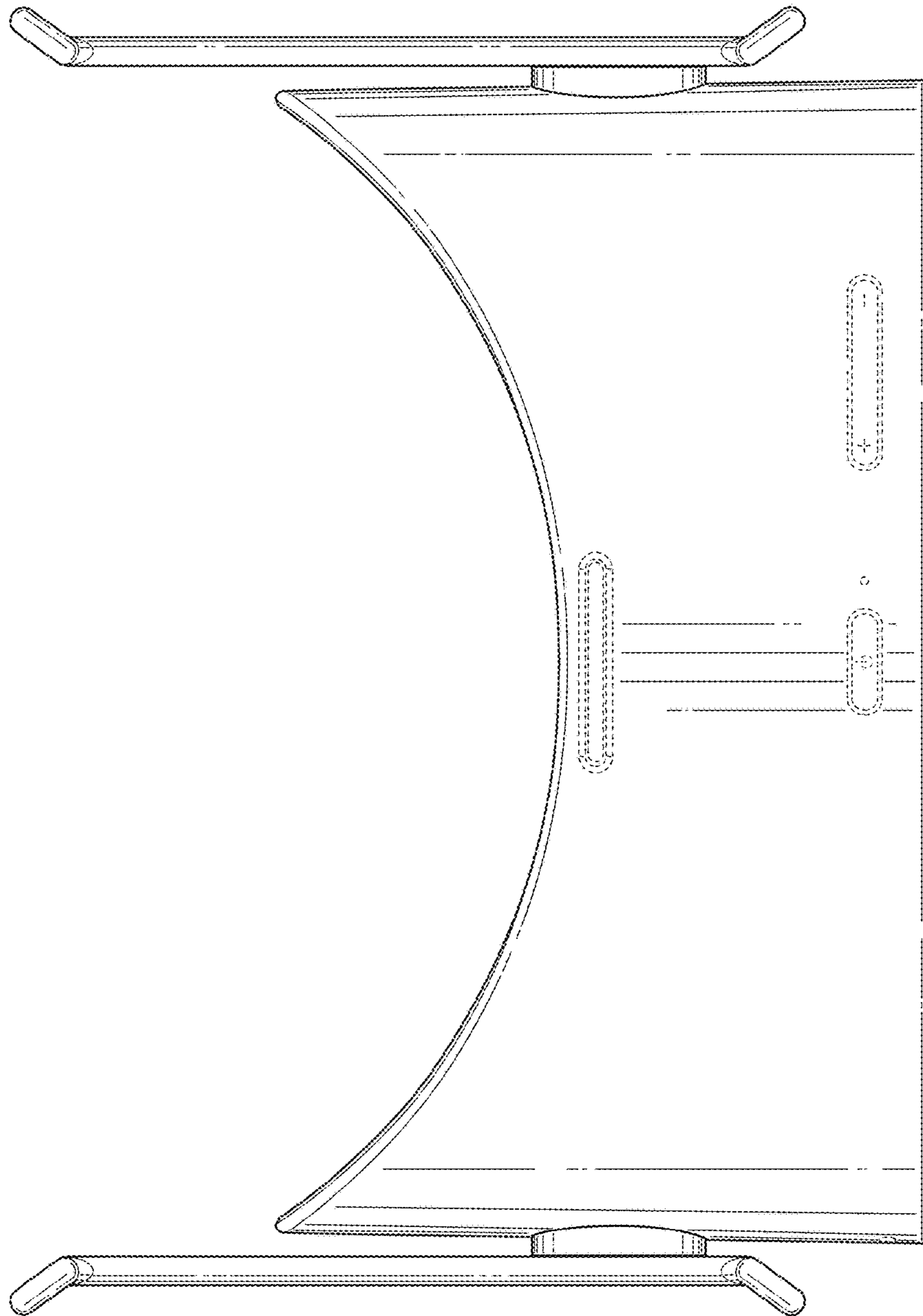


FIG. 6

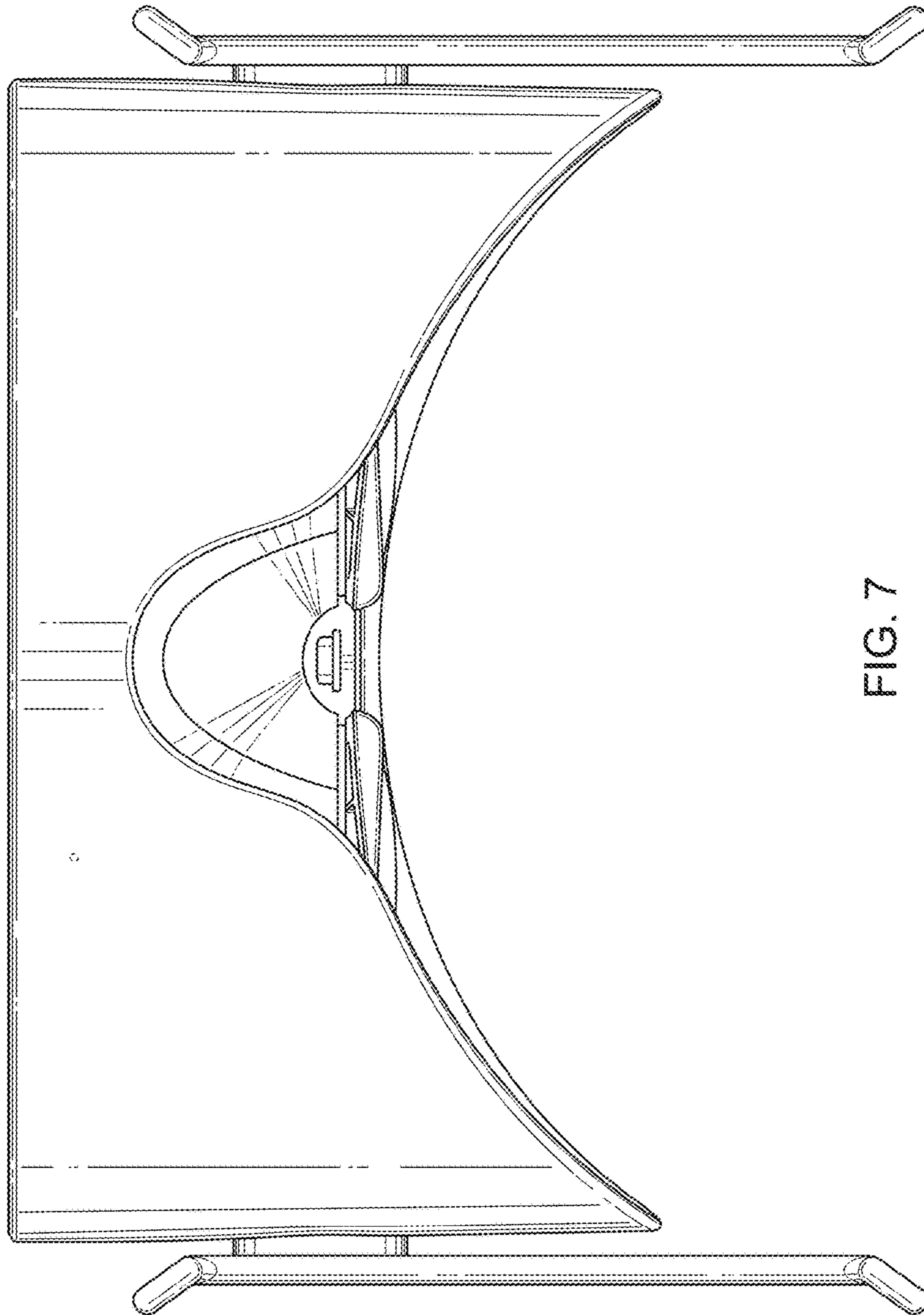


FIG. 7