



US00D860990S

(12) **United States Design Patent**
Tian et al.

(10) **Patent No.:** **US D860,990 S**

(45) **Date of Patent:** **** Sep. 24, 2019**

(54) **MOBILE TERMINAL**

D693,323 S * 11/2013 Kawase D14/138 AB
D716,750 S * 11/2014 Matsumoto D14/138 AB
9,312,633 B1 * 4/2016 Szeto H01R 13/6205

(71) Applicant: **ZTE CORPORATION**, Guangdong (CN)

(Continued)

(72) Inventors: **Ye Tian**, Guangdong (CN); **Tao Yan**, Guangdong (CN)

OTHER PUBLICATIONS

(73) Assignee: **ZTE CORPORATION** (CN)

ZTE Axon M, Nov. 2017, [online], [site visited Jan. 31, 2019]. Retrieved from url:https://www.gsmarena.com/zte_axon_m-pictures-8902.php (Year: 2017).*

(**) Term: **15 Years**

(Continued)

(21) Appl. No.: **35/504,722**

Primary Examiner — Jeffrey D Asch

(22) Filed: **Jan. 30, 2018**

Assistant Examiner — Tracey J Bell

(80) **Hague Agreement Data**

Int. Filing Date: **Jan. 30, 2018**

Int. Reg. No.: **DM/100372**

Int. Reg. Date: **Jan. 30, 2018**

Int. Reg. Pub. Date: **Apr. 6, 2018**

(74) *Attorney, Agent, or Firm* — McDonald Hopkins LLC

(51) **LOC (12) Cl.** **14-02**

(52) **U.S. Cl.**

USPC **D14/345**; D14/138 AB

(58) **Field of Classification Search**

USPC D14/138 AA, 138 AB, 138 AC, 138 AD, D14/138 C, 138 R, 138 G, 248, 250, D14/315-318, 341, 342, 344, 345, 346, D14/203.7, 371, 137; D21/329; D10/104.1, 50, 60

CPC ... G06F 1/1626; H04M 1/027; H04M 1/0202; H04M 1/0279; H04M 1/0235; H04M 1/0237; H04M 1/0239; H04M 1/0266; H04M 1/0268; H04M 1/0295; H04M 1/0264

See application file for complete search history.

(57) **CLAIM**

The ornamental design for a mobile terminal, as shown and described.

DESCRIPTION

1. Mobile terminal

1.1 : Perspective

1.2 : Perspective

1.3 : Front

1.4 : Back

1.5 : Left

1.6 : Right

1.7 : Top

1.8 : Bottom

1.9 : Perspective

1.10 : Perspective

1.11 : Front

1.12 : Back

1.13 : Left

1.14 : Right

1.15 : Top

1.16 : Bottom

Figures 1.1-1.8 show a mobile terminal being in a closed position and figures 1.9-1.16 show the mobile terminal being in an open position.

(56) **References Cited**

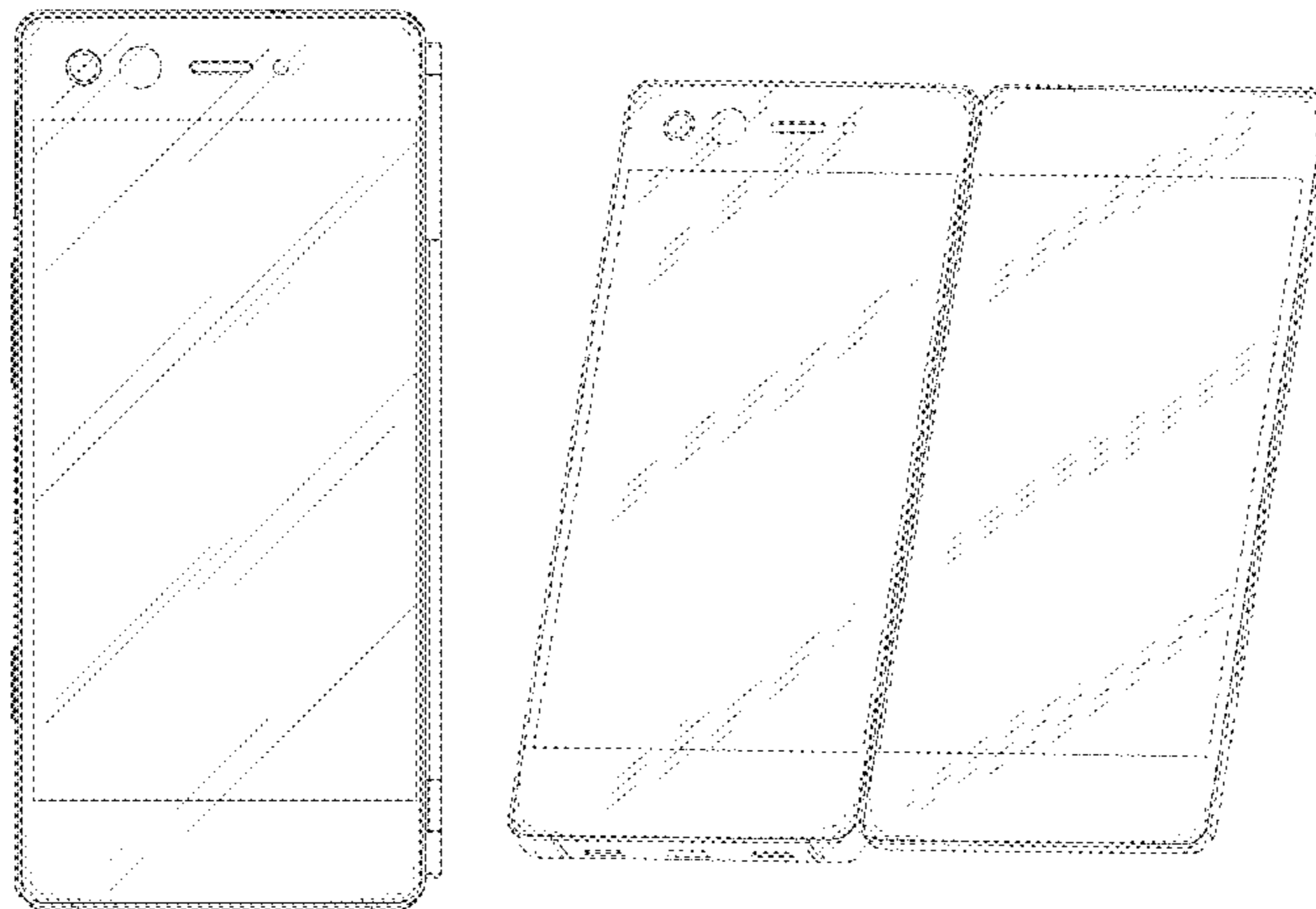
U.S. PATENT DOCUMENTS

D624,517 S * 9/2010 Lee D14/138 AB

D680,531 S * 4/2013 Honda D14/345

D687,034 S * 7/2013 Reeves D14/345

1 Claim, 16 Drawing Sheets



(56)

References Cited

U.S. PATENT DOCUMENTS

9,887,722	B2 *	2/2018	Moon	H04M 1/0216
D829,187	S *	9/2018	Zhang	D14/138 G
D829,680	S *	10/2018	Han	D14/138 AB
D830,325	S *	10/2018	Han	D14/138 AB
D839,232	S *	1/2019	Itou	D14/138 AB
D840,394	S *	2/2019	Son	D14/345
D841,646	S *	2/2019	Son	D14/345
2013/0217443	A1 *	8/2013	Lim	H04M 1/0216 455/566
2013/0321340	A1 *	12/2013	Seo	G06F 1/1641 345/174
2015/0281414	A1 *	10/2015	Michino	H04M 1/0216 455/575.3
2016/0018851	A1 *	1/2016	Kwon	G06F 1/1616 361/679.28
2017/0099072	A1 *	4/2017	Moon	H04M 1/0216
2018/0007252	A1 *	1/2018	Tuulos	H04N 5/2254
2019/0004764	A1 *	1/2019	Son	G06F 3/1446

OTHER PUBLICATIONS

ZTE Axon M review_double trouble, Nov. 17, 2017, [online], [site visited Jan. 31, 2019]. Retrieved from url:<https://www.theverge.com/2017/11/17/16667508/zte-axon-m-dual-screen-smartphone-review> (Year: 2017).*

“Folded double screen, ZTE’s Axon M disclosure”, ZTE Mobile Phone, Oct. 18, 2017.

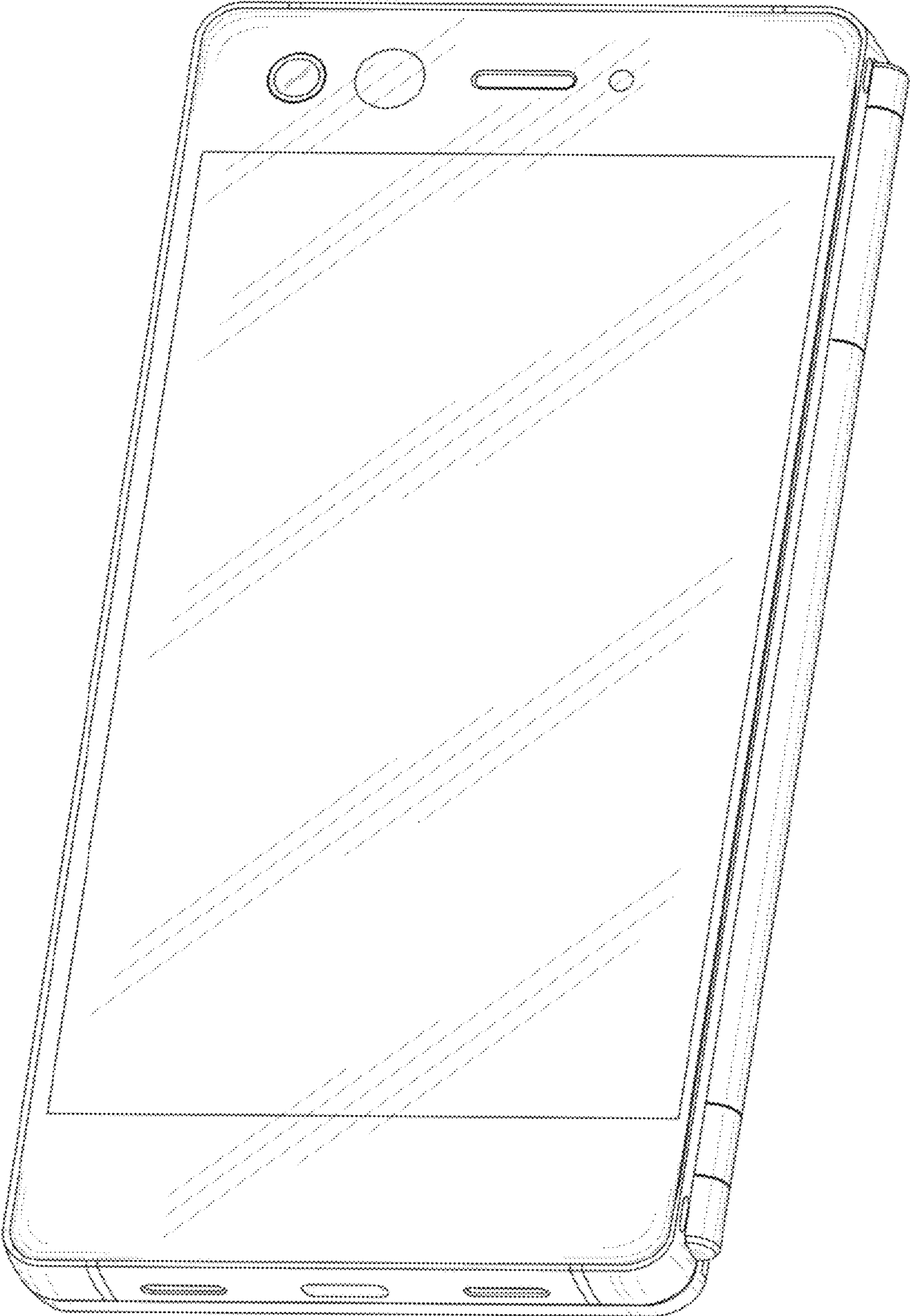
“Relay the global layout, ZTE’s folding smartphone is disclosed in Japan”, ZTE Mobile Phone, Oct. 19, 2017.

“According to the user experience, ZTE mobile phone make innovations”, ZTE Mobile Phone, Oct. 23, 2017.

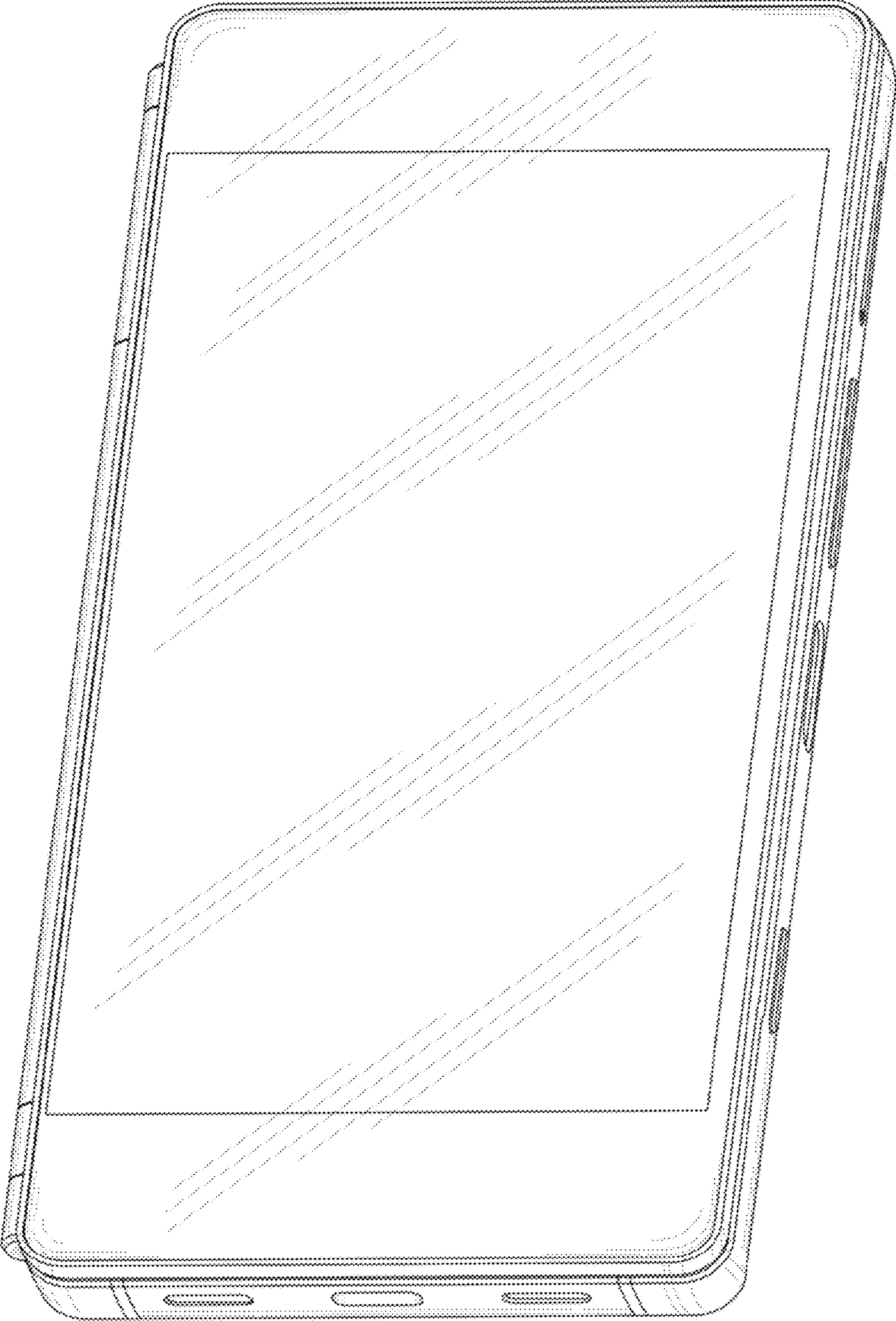
“The essence video of New York press conference”, ZTE Mobile Phone, Oct. 31, 2017.

* cited by examiner

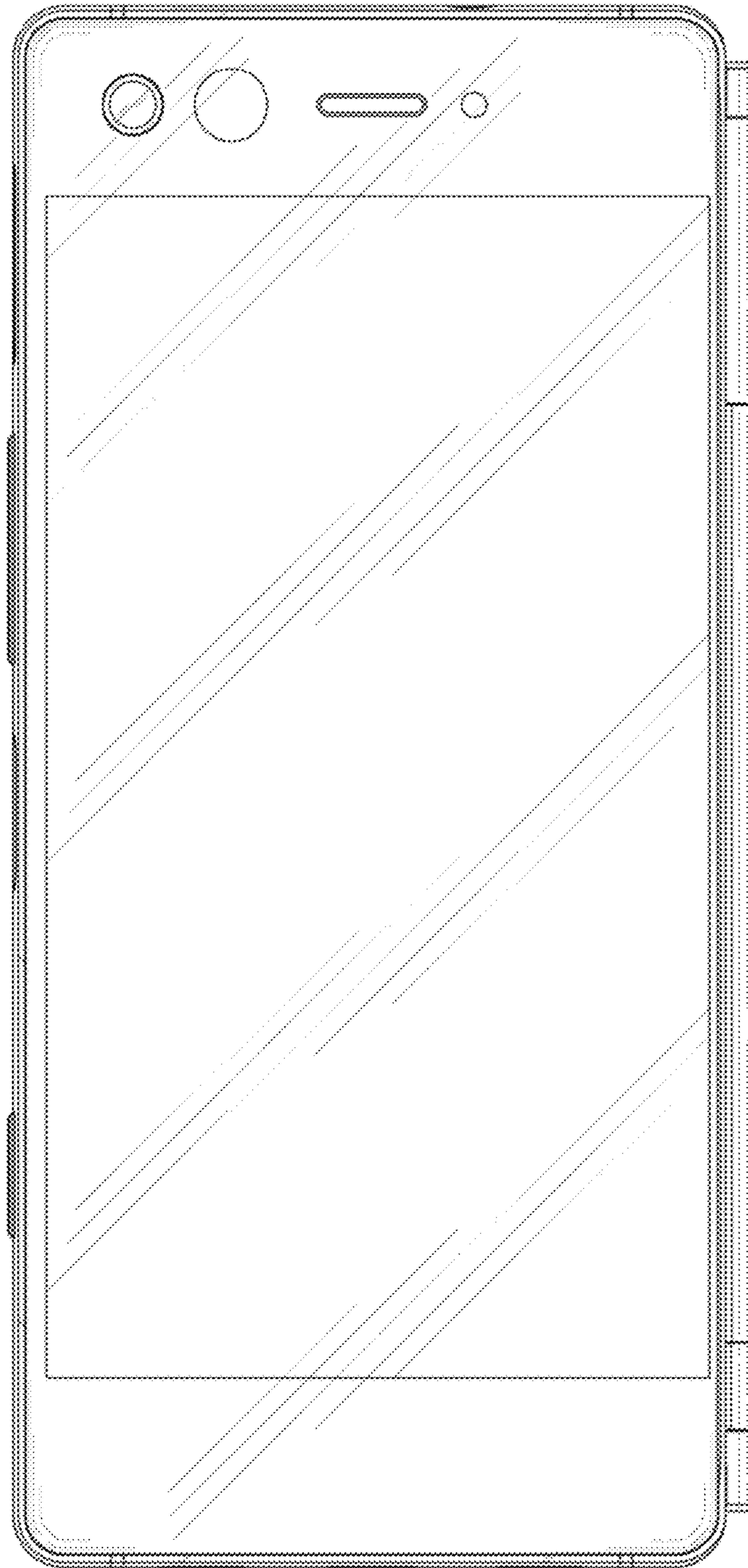
1.1



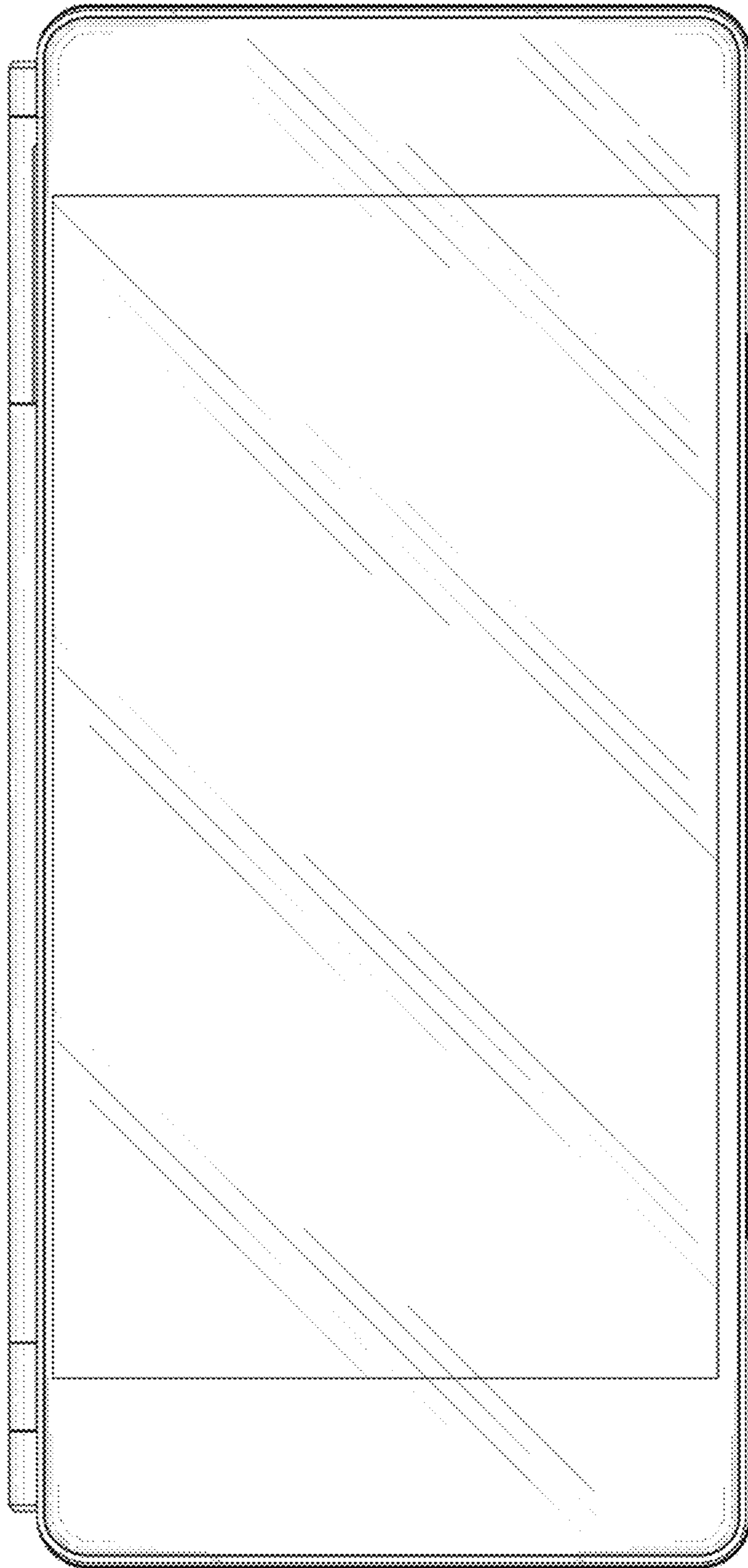
1.2



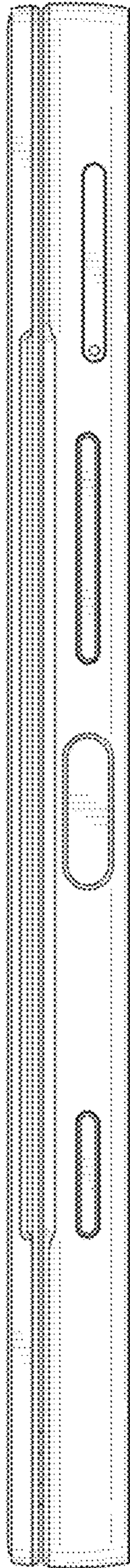
1.3



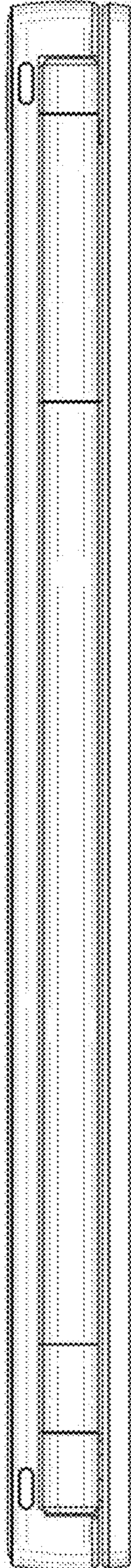
1.4



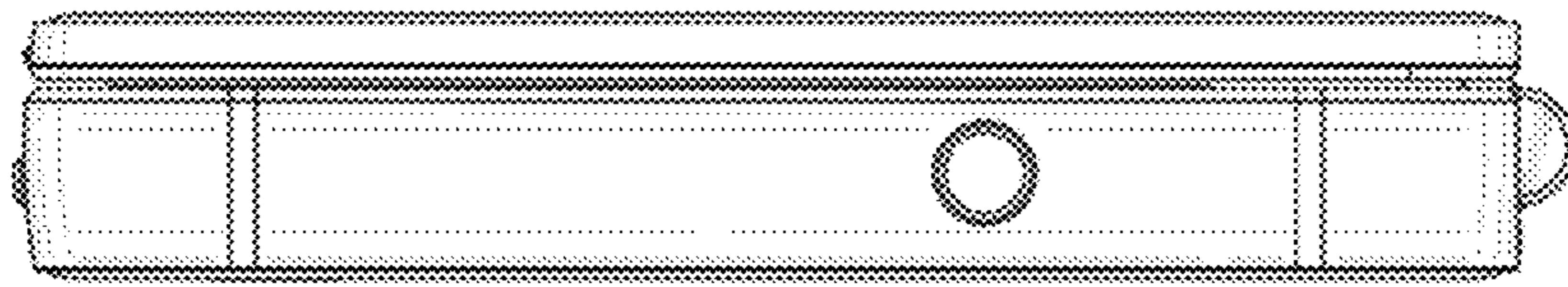
1.5



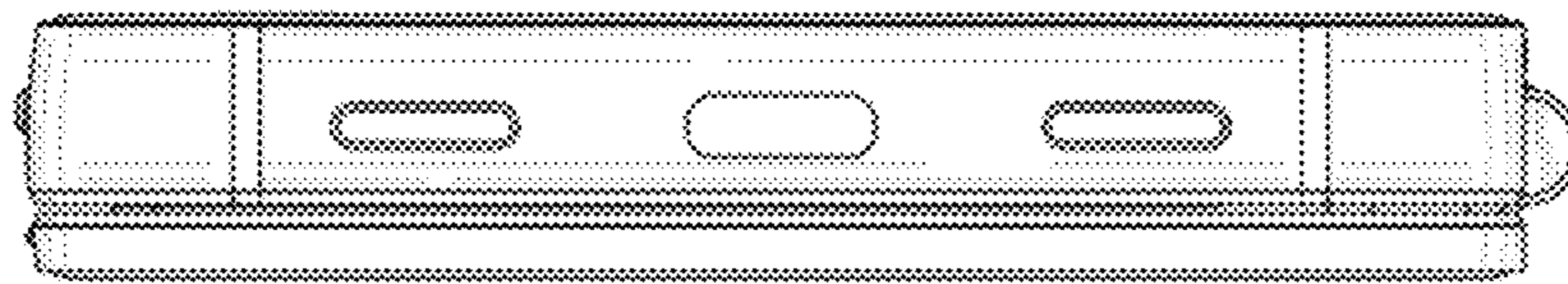
1.6



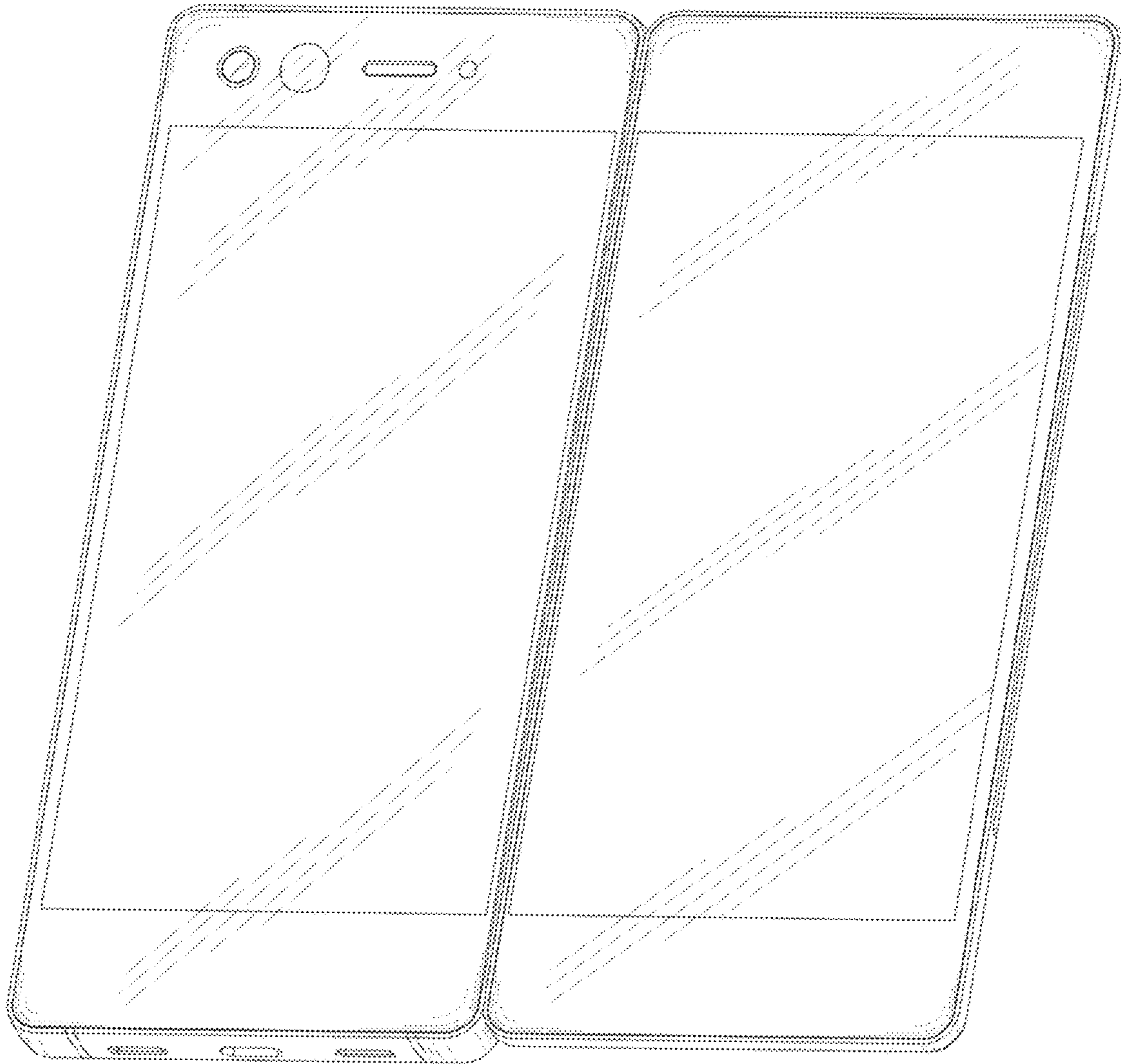
1.7



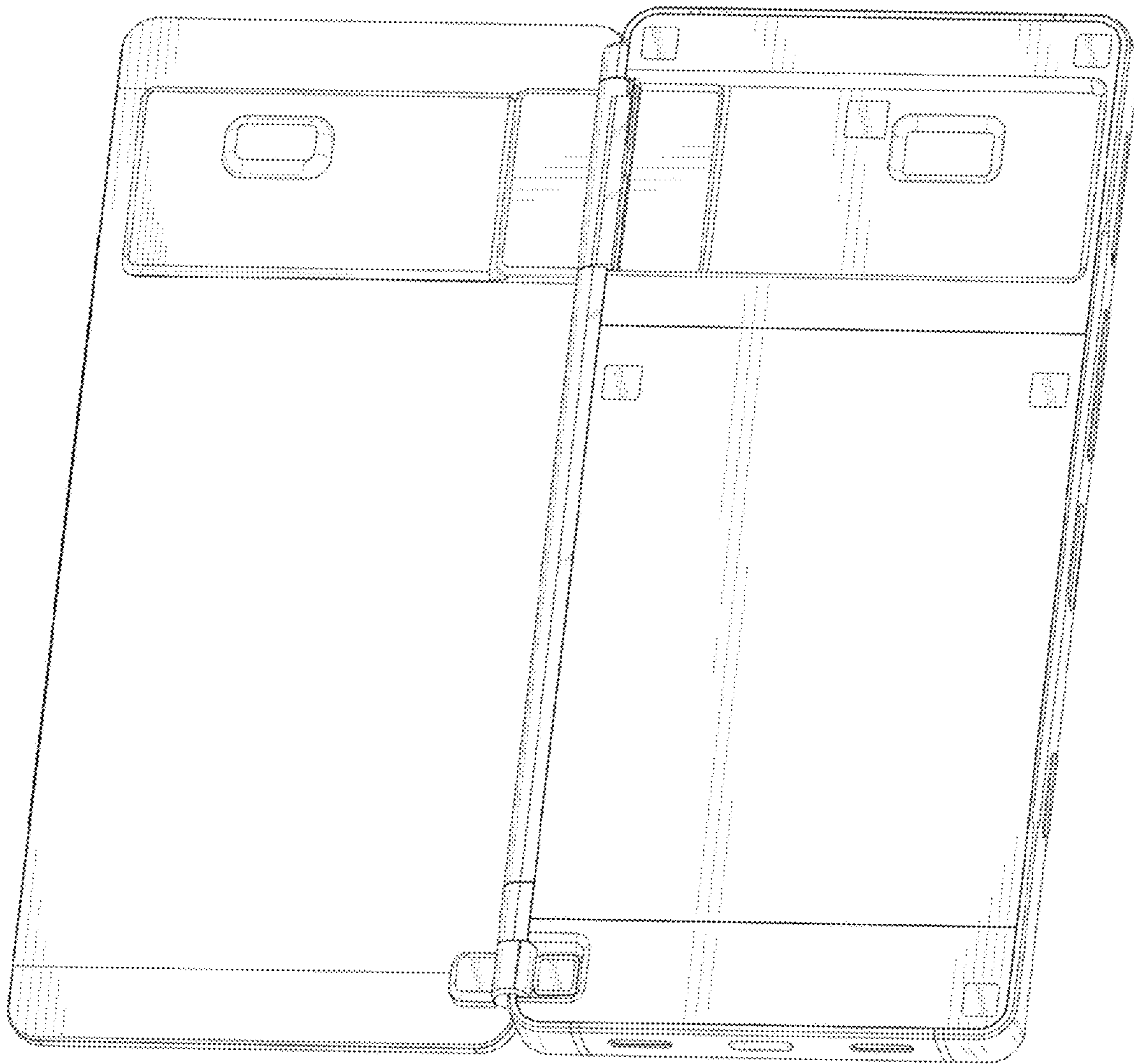
1.8



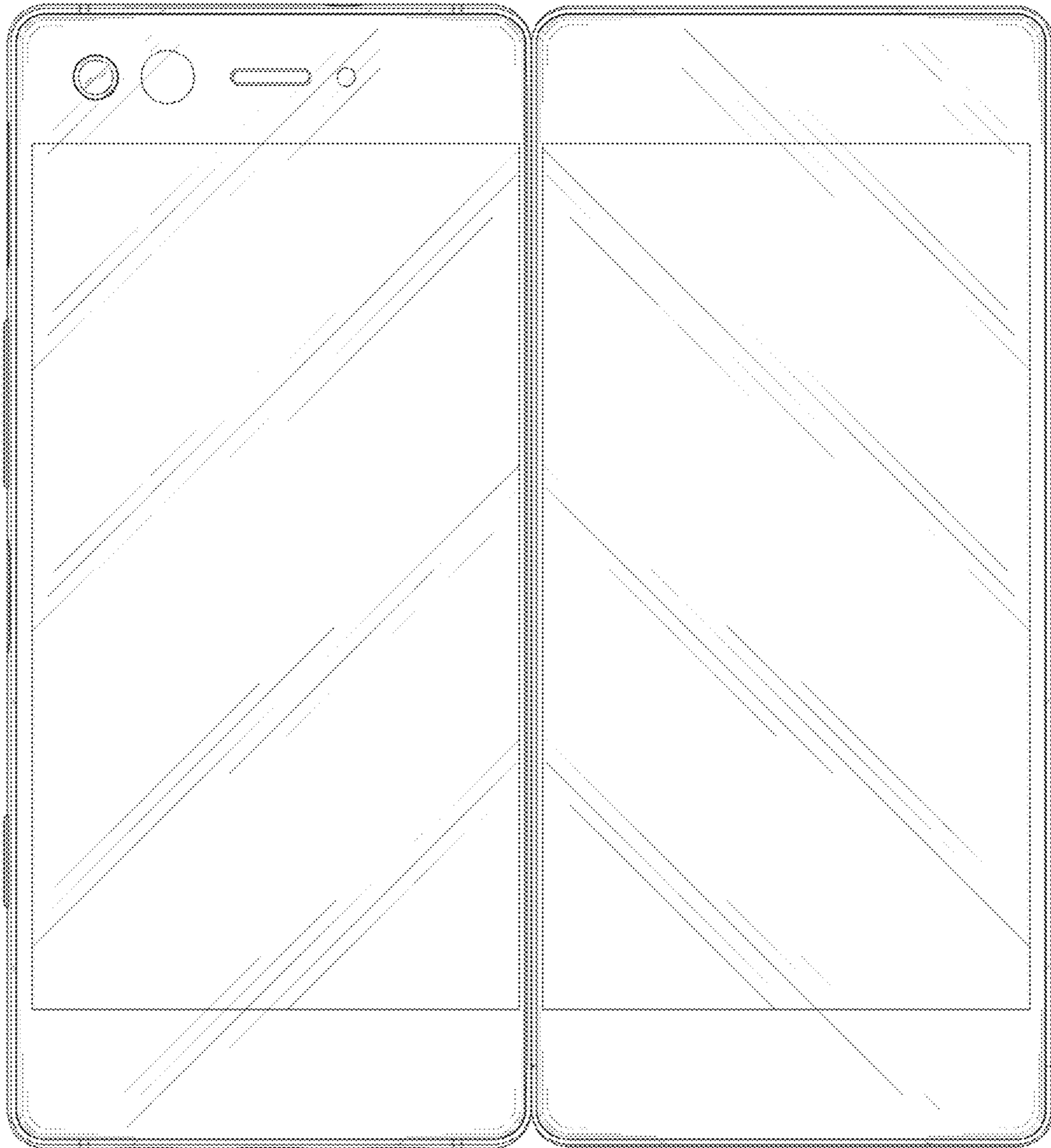
1.9



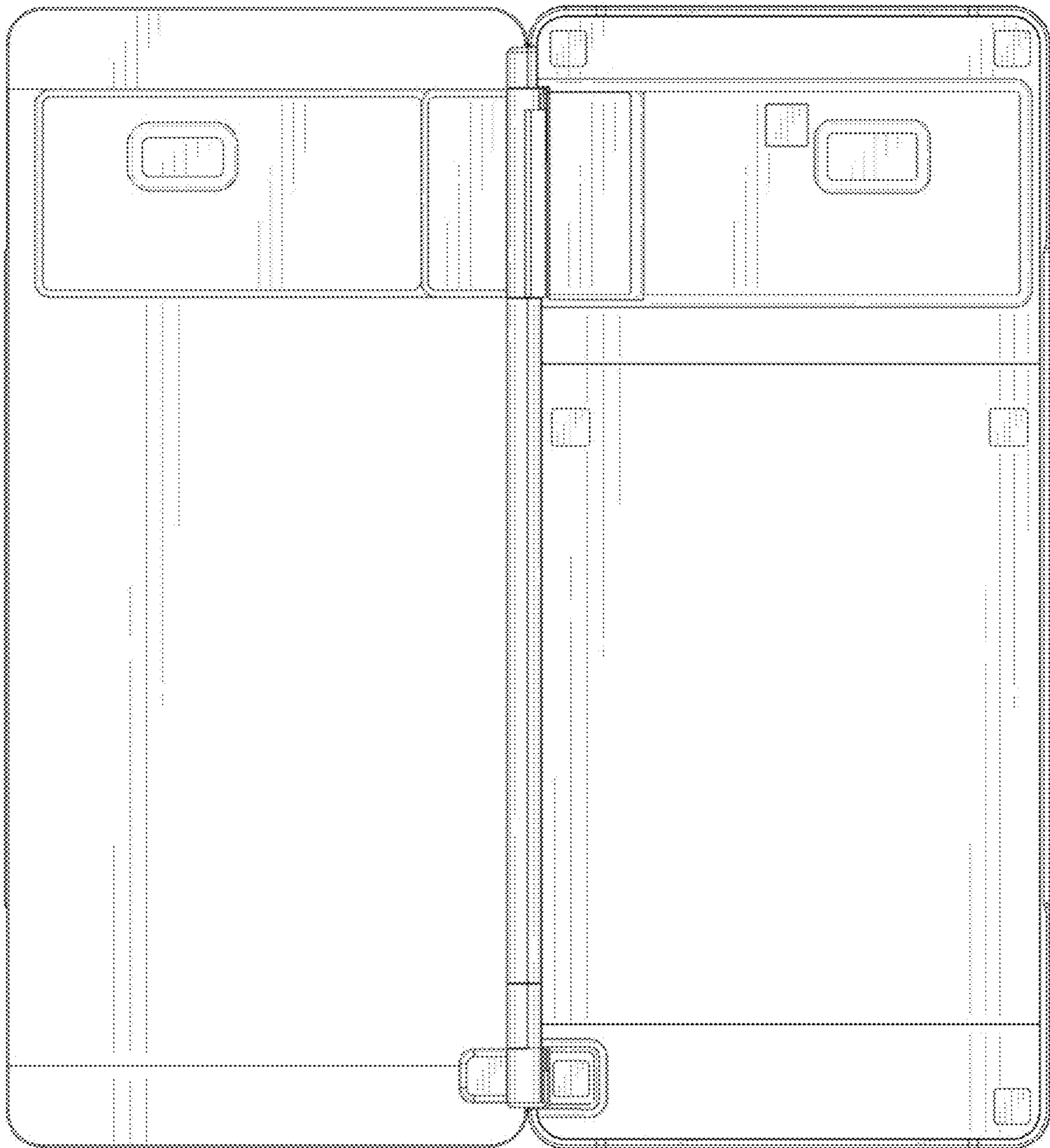
1.10



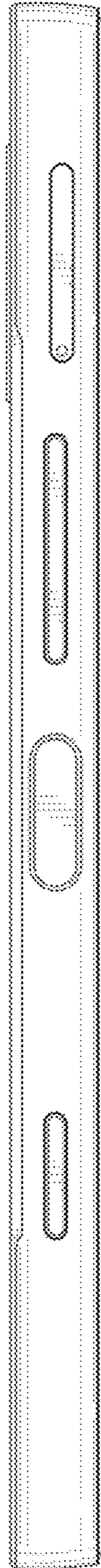
1.11



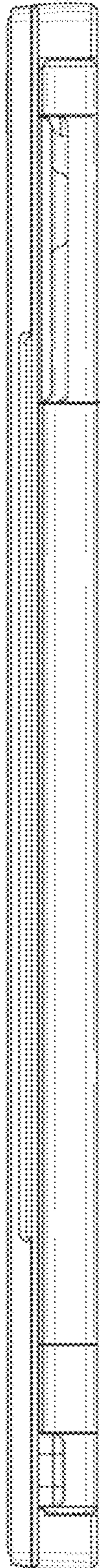
1.12



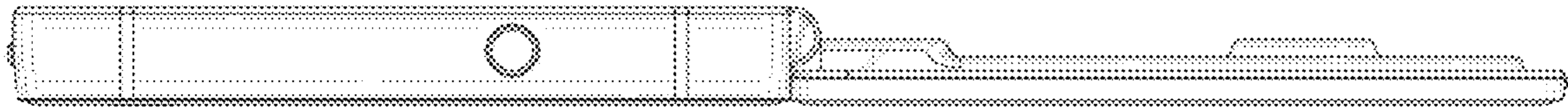
1.13



1.14



1.15



1.16

