



US00D860988S

(12) **United States Design Patent**  
**Haapakoski**

(10) **Patent No.:** **US D860,988 S**

(45) **Date of Patent:** **\*\* Sep. 24, 2019**

(54) **TRAINING COMPUTER**

(71) Applicant: **POLAR ELECTRO OY**, Kempele (FI)

(72) Inventor: **Heli Haapakoski**, Oulu (FI)

(73) Assignee: **POLAR ELECTRO OY**, Kempele (FI)

(\*\*) Term: **15 Years**

(21) Appl. No.: **29/582,599**

(22) Filed: **Oct. 28, 2016**

(30) **Foreign Application Priority Data**

Jul. 29, 2016 (EM) ..... 003324060-0001

(51) **LOC (12) Cl.** ..... **14-02**

(52) **U.S. Cl.**  
USPC ..... **D14/344**

(58) **Field of Classification Search**  
USPC ..... D14/344, 218, 138 R, 144, 341, 358,  
D14/485-489; D10/30-39, 70, 98;  
D11/3, 93-94; D24/167, 169, 186-187;  
361/679.03; 379/433.1; D13/108  
CPC .. A41D 1/002; G06F 1/04; G06F 1/08; G06F  
1/10; G06F 1/14; G06F 1/1626; G06F  
1/1628; G06F 1/163; G06F 1/1635; G06F  
1/3203; G06Q 20/10; G06Q 20/12; G06Q  
20/108; G06Q 20/145; H04B 1/3833;  
H04B 1/385; H04B 1/3888; H04M 1/02;  
H04M 1/03; H04M 1/04; H04M 1/05;  
H04M 1/667; H04M 1/6058; Y02B  
60/1217

See application file for complete search history.

(56) **References Cited**

**U.S. PATENT DOCUMENTS**

D541,179 S \* 4/2007 Ahlstrom ..... D10/31  
D594,764 S \* 6/2009 Ahlstrom ..... D10/31  
D602,386 S \* 10/2009 Ueda ..... D10/32

D657,697 S \* 4/2012 Lammers-Meis ..... D10/31  
D661,206 S \* 6/2012 Register ..... D10/38  
D680,651 S \* 4/2013 Lumme ..... D24/167  
D701,128 S \* 3/2014 Lau ..... G04G 21/08  
D10/32  
D726,675 S \* 4/2015 Choi ..... D10/38  
D736,652 S \* 8/2015 Isaacs ..... D10/32  
D765,524 S \* 9/2016 Chen ..... D10/70  
9,558,336 B2 \* 1/2017 Lee ..... A61B 5/681  
D781,852 S \* 3/2017 Yu ..... D14/344  
2013/0242709 A1 \* 9/2013 Chan ..... G04G 99/006  
368/10

**OTHER PUBLICATIONS**

Polar M200 GPS Running Watch—Black, posted unknown, [retrieved Jan. 2, 2018]. Retrieved from Internet, <URL: <https://www.jomashop.com/polar-watch-90061199.html> >.\*

(Continued)

*Primary Examiner* — Barbara Fox  
*Assistant Examiner* — Kristin E Reed  
(74) *Attorney, Agent, or Firm* — FisherBroyles, LLP

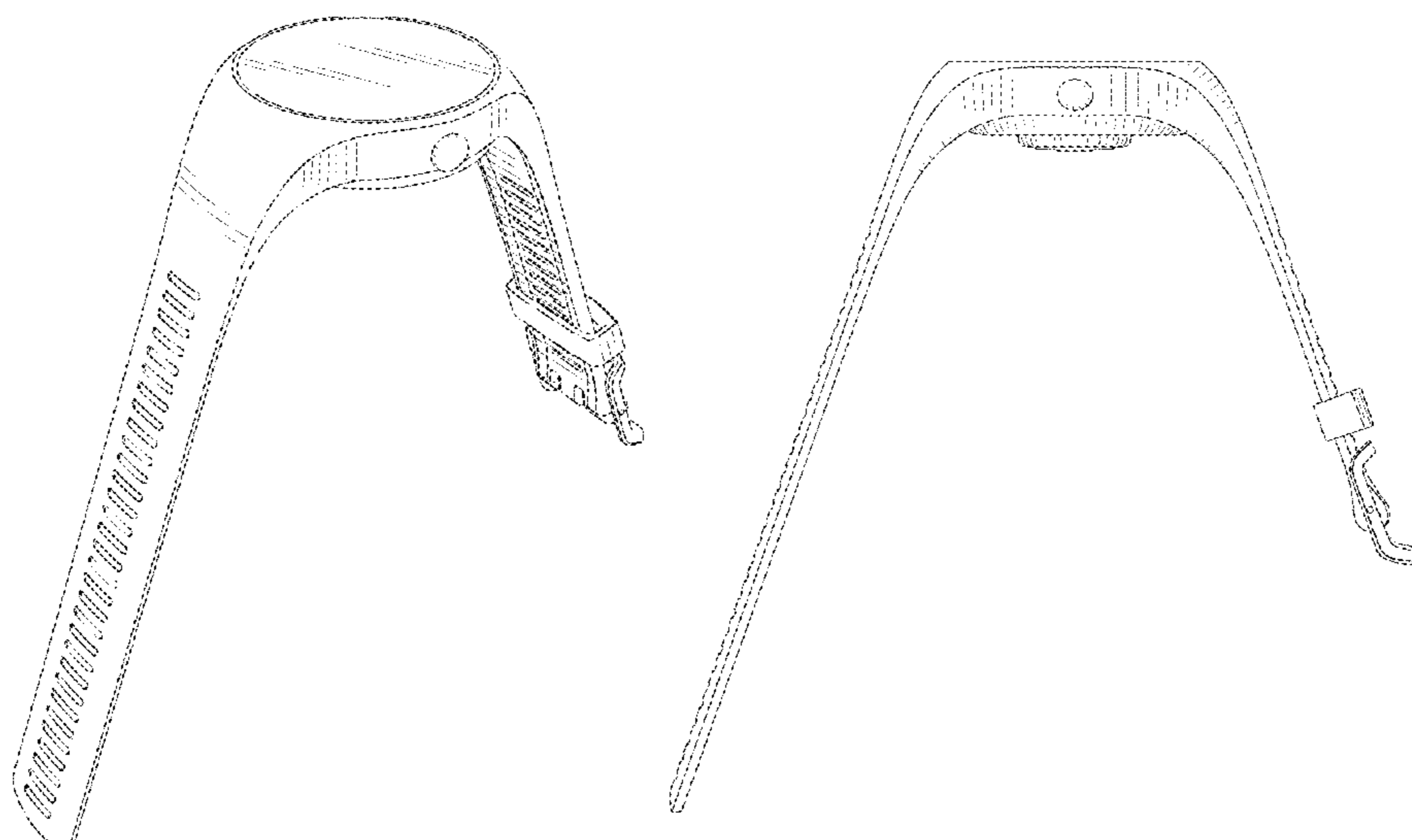
(57) **CLAIM**

The ornamental design for a training computer, as shown and described.

**DESCRIPTION**

FIG. 1 is a right isometric view of a training computer showing the new design;  
FIG. 2 is a right-side view of the training computer;  
FIG. 3 is a left-side view of the training computer;  
FIG. 4 is a front view of the training computer;  
FIG. 5 is a rear view of the training computer;  
FIG. 6 is a bottom-end view of the training computer; and,  
FIG. 7 is a top-end view of the training computer.  
The broken lines shown in the drawings depict portions of the training computer that form no part of the claimed design.

**1 Claim, 7 Drawing Sheets**



(56)

**References Cited**

OTHER PUBLICATIONS

Garmin Forerunner 210 GPS-Enabled Sport Watch with Heart Rate Monitor, posted Sep. 2, 2013, [retrieved Jan. 2, 2018]. Retrieved from Internet, <URL: <https://www.amazon.com/Garmin-Forerunner-GPS-Enabled-Sport-Monitor/dp/B0045ZPVB4> >.\*

The Soleus 2.0 GPS Running Watch in Depth Review, posted Apr. 19, 2012 [retrieved Jan. 2, 2018]. Retrieved from Internet, <URL: <https://www.dcrainmaker.com/2012/04/soleus-20-gps-running-watch-in-depth.html> >.\*

\* cited by examiner

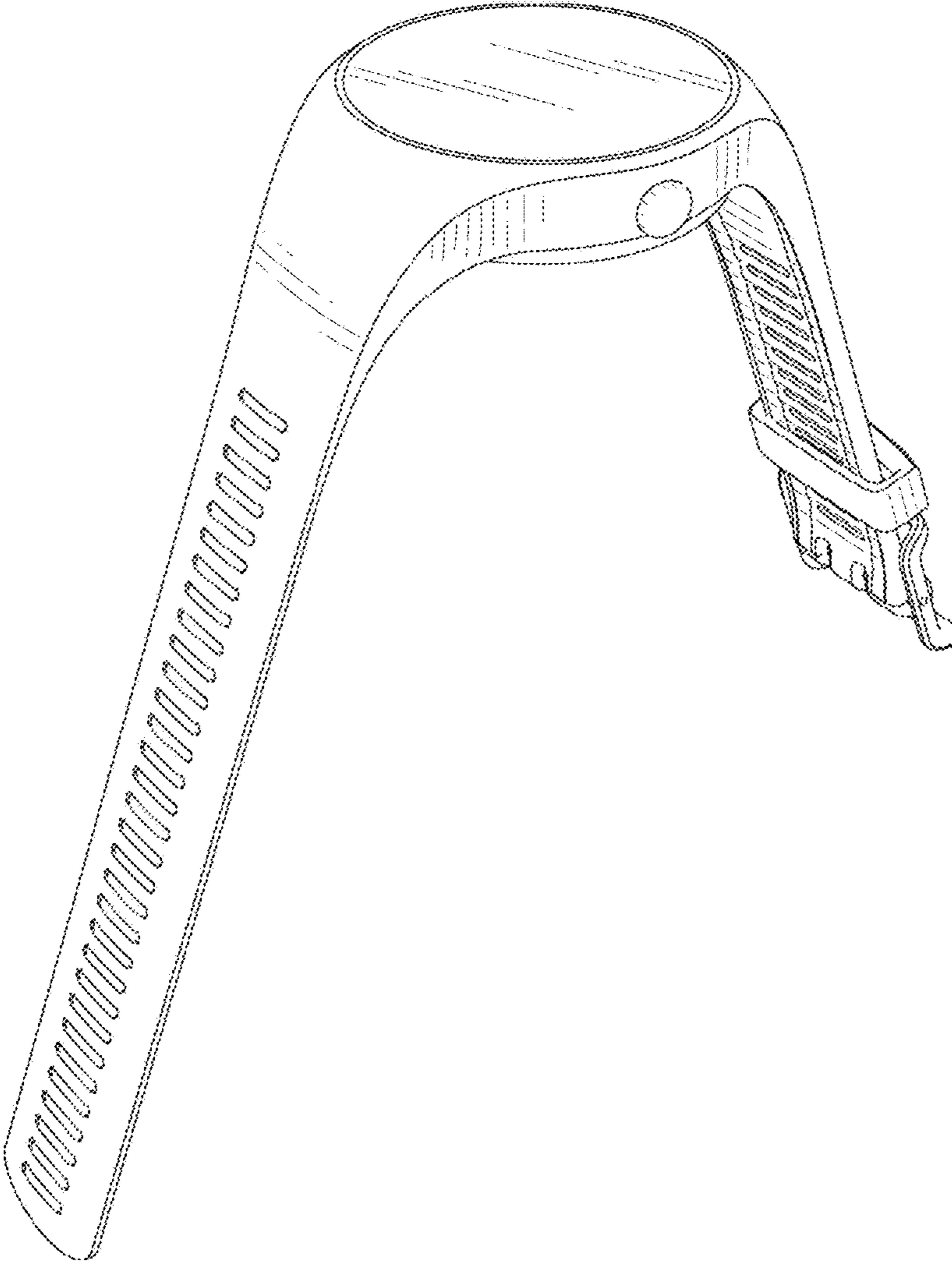


FIG. 1

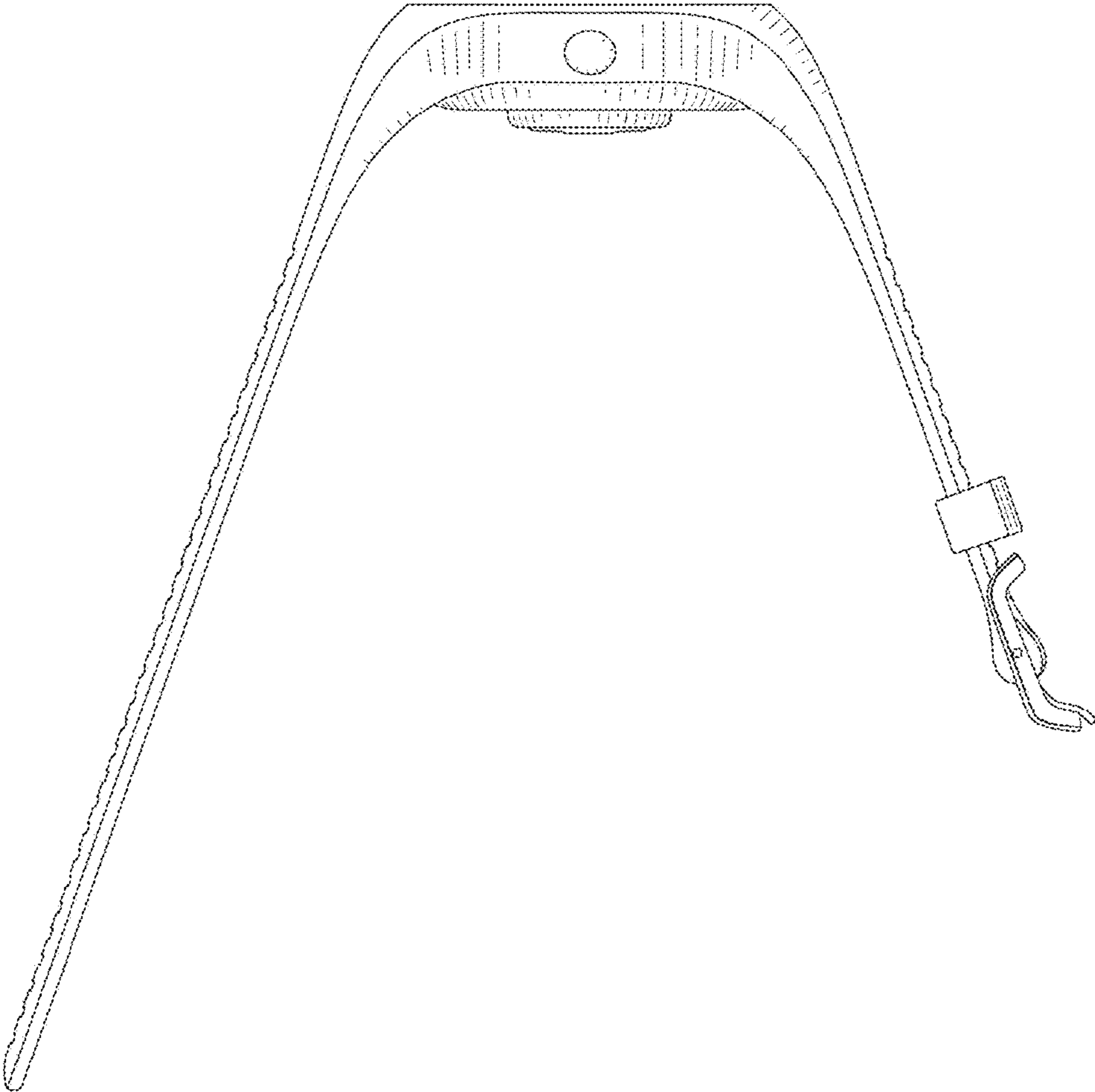


FIG. 2

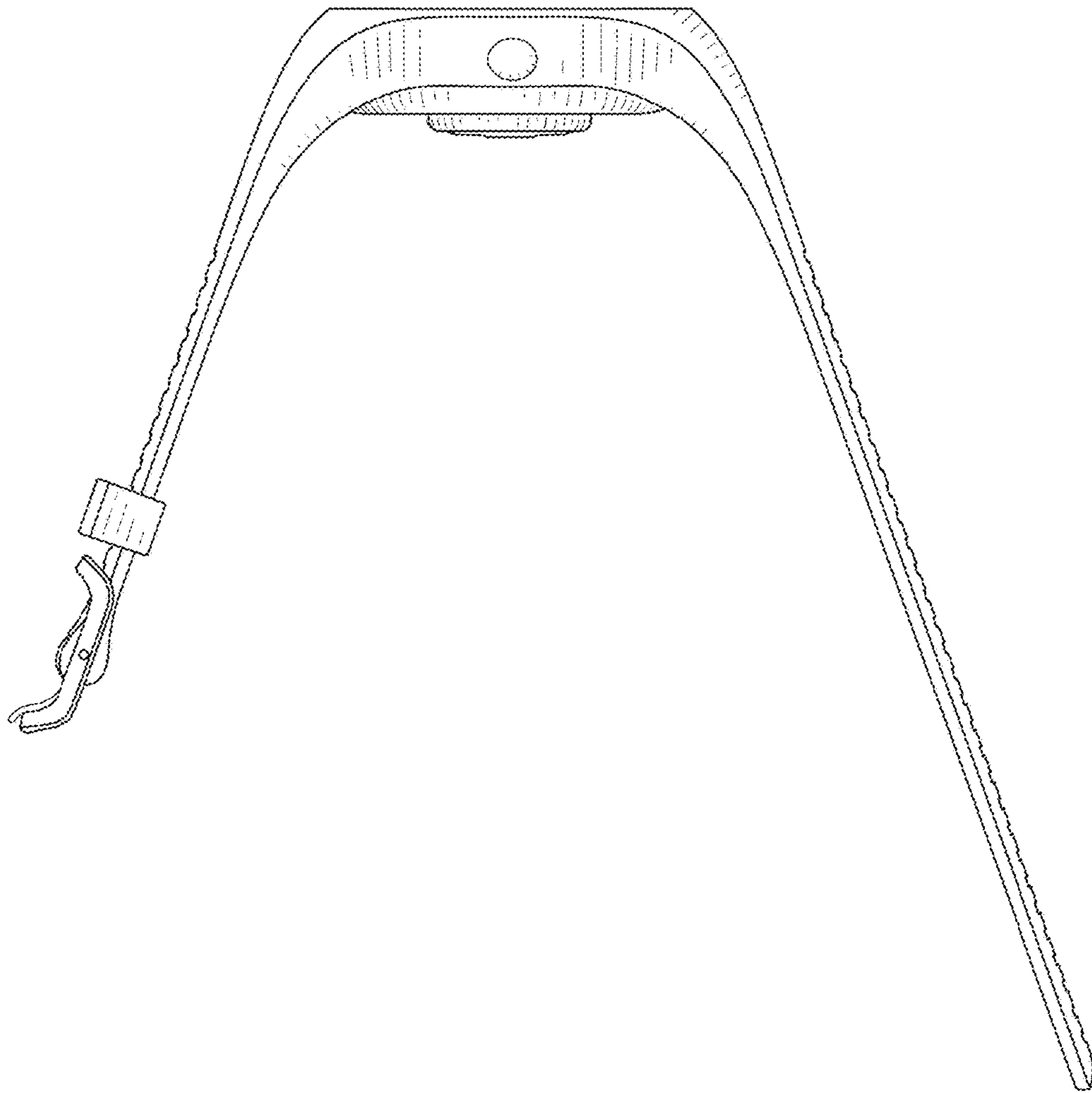


FIG. 3

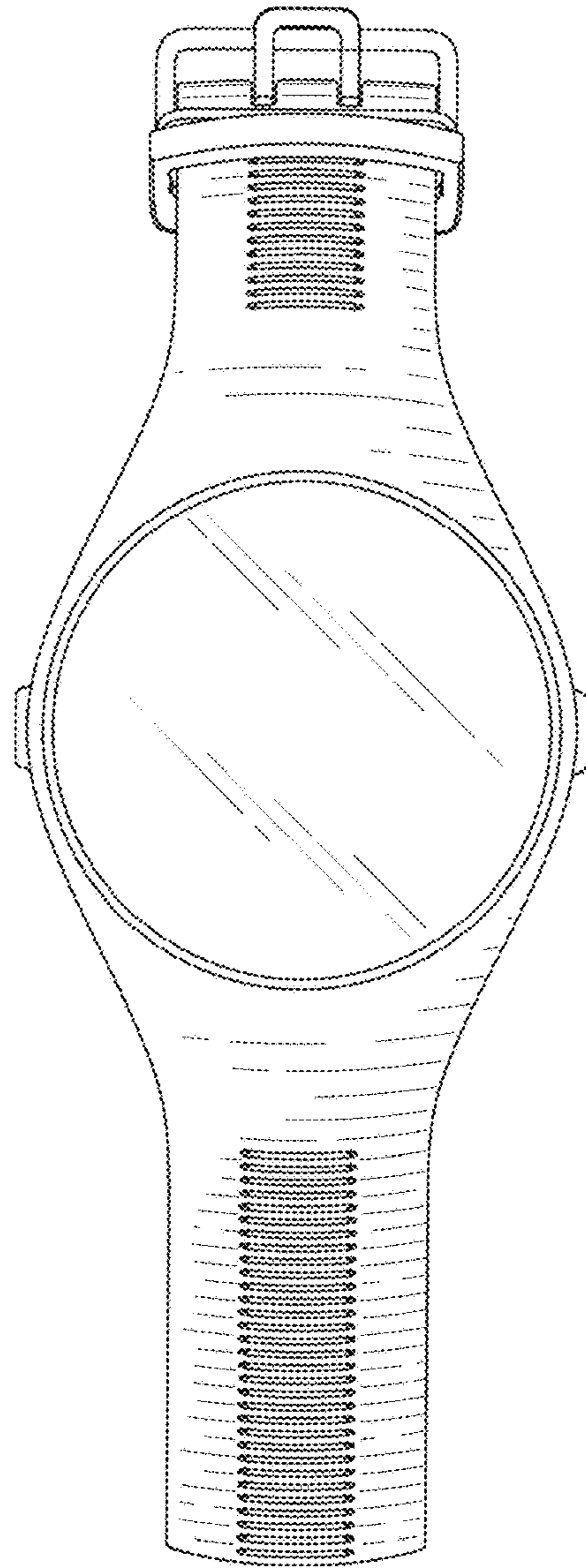


FIG. 4



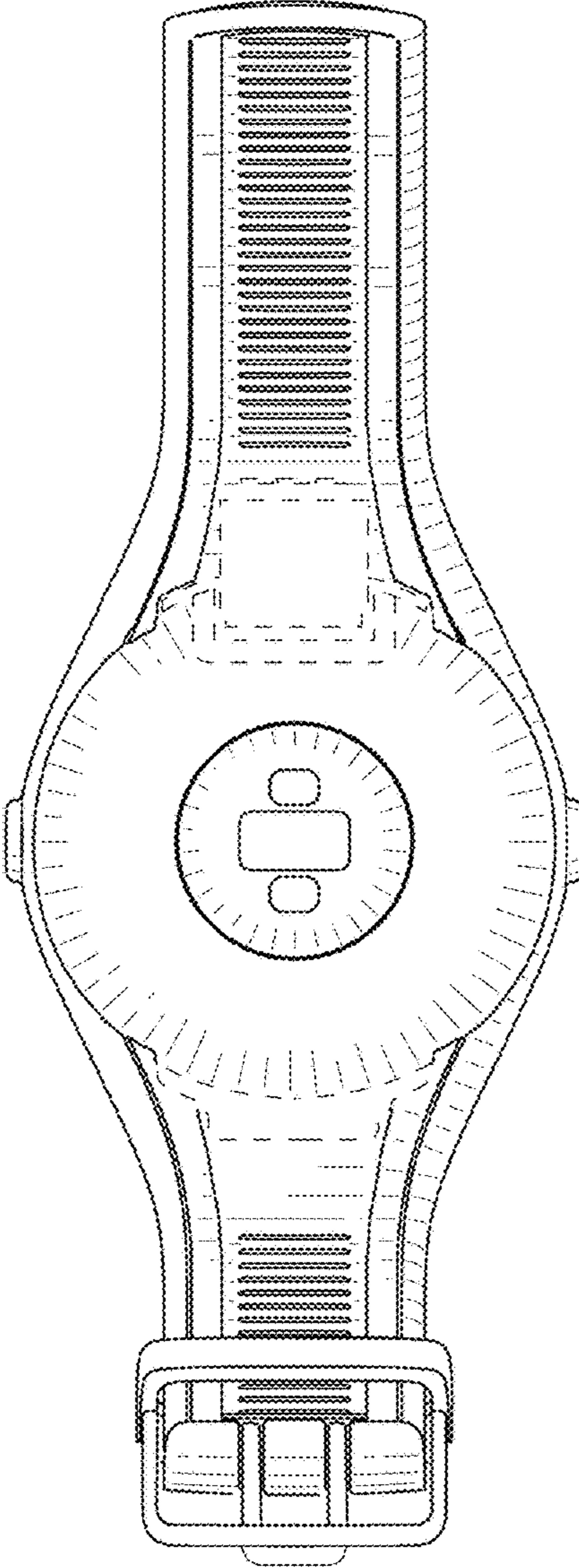


FIG. 5

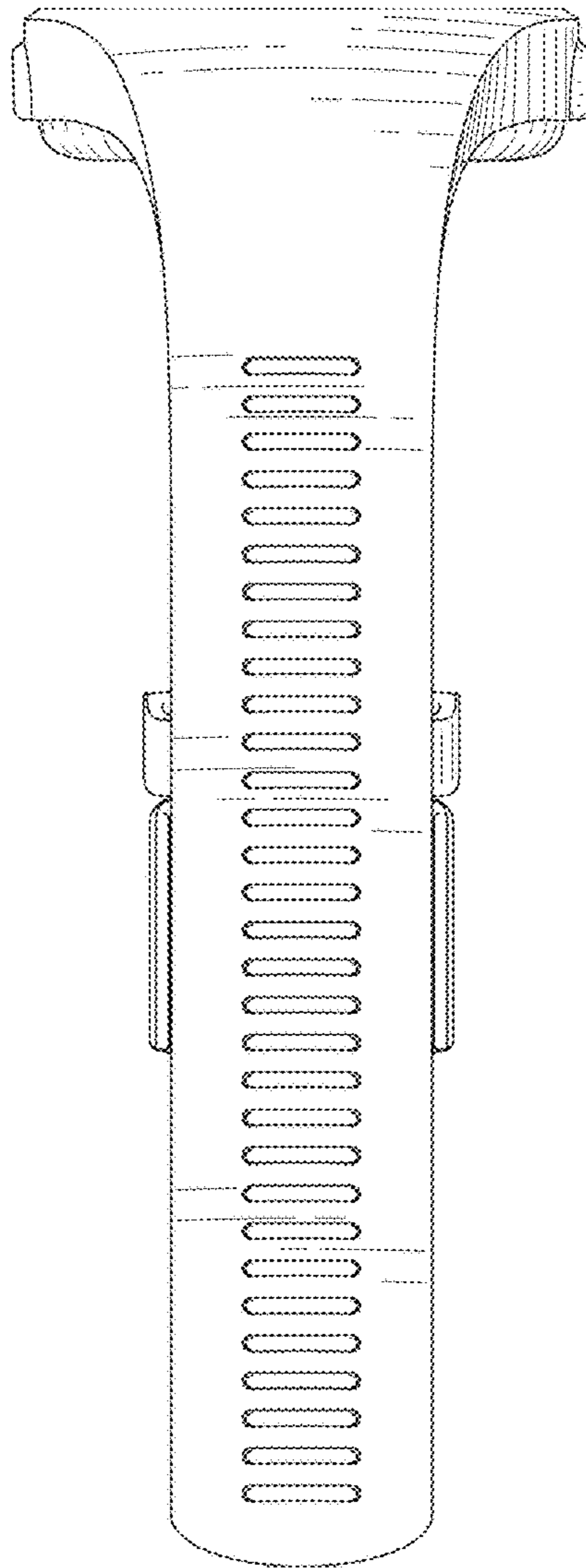


FIG. 6



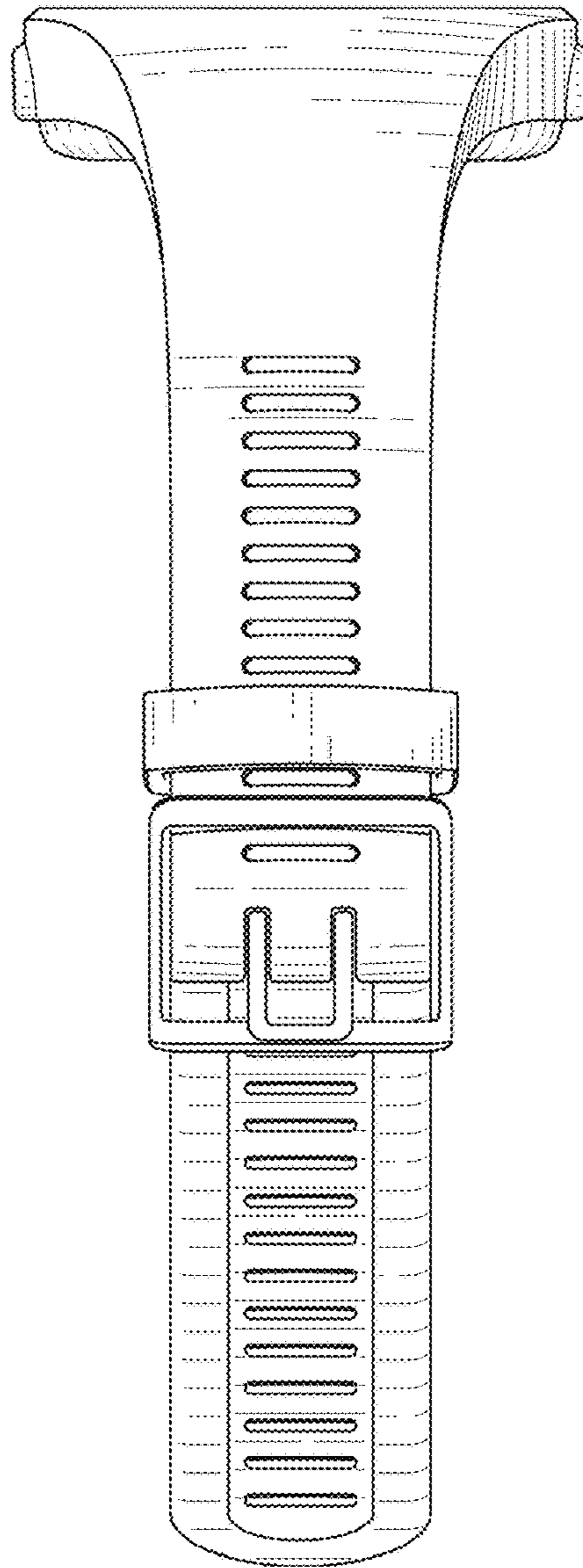


FIG. 7