



US00D860987S

(12) **United States Design Patent** (10) **Patent No.:** **US D860,987 S**
Allgaier et al. (45) **Date of Patent:** **** Sep. 24, 2019**

(54) **COMBINED MONITOR DISPLAY AND BASE UNIT**

(71) Applicant: **Precision Planting LLC**, Tremont, IL (US)

(72) Inventors: **Ryan Allgaier**, East Peoria, IL (US);
Chad Plattner, Tremont, IL (US)

(73) Assignee: **Precision Planting LLC**, Tremont, IL (US)

(**) Term: **15 Years**

(21) Appl. No.: **29/633,651**

(22) Filed: **Jan. 15, 2018**

(51) **LOC (12) Cl.** **14-02**

(52) **U.S. Cl.**
USPC **D14/336**

(58) **Field of Classification Search**
USPC D14/371, 373-377, 382, 451, 126, 239,
D14/125, 127, 129, 204, 210, 341, 138 G,
D14/138 AB, 307, 336, 300, 358, 496;
D6/708, 708.16, 300, 308, 310-313,
D6/691.6; D8/349, 354, 363, 373, 376,
D8/380; D12/174

CPC G06F 1/1601; G06F 1/166; G06F 1/1652;
H04N 5/64; H04N 5/655; H05K 5/0017;
H05K 5/0234

See application file for complete search history.

(56) **References Cited**

U.S. PATENT DOCUMENTS

D377,929 S * 2/1997 Sekino D14/336
D463,433 S * 9/2002 Hung D14/375
D465,491 S * 11/2002 Yamada D14/374
D494,165 S * 8/2004 Yokota D14/341
D531,593 S * 11/2006 Overthun D14/126
D571,321 S * 6/2008 Fujii D14/126
D572,025 S * 7/2008 Kwon D14/371
D596,173 S * 7/2009 Arfin D14/307

D624,542 S * 9/2010 Tang D14/371
D661,291 S * 6/2012 Renukanand D14/307
D687,826 S * 8/2013 Jeon D14/341
D697,062 S * 1/2014 Nagai D14/307
D710,350 S * 8/2014 Steiger D14/341
D720,746 S * 1/2015 Chung D14/341
D730,895 S * 6/2015 Anundi D14/371
D744,479 S * 12/2015 Haller D14/336
D761,794 S * 7/2016 Schoenert D14/371
D762,644 S * 8/2016 Maffetone D14/371
D798,860 S * 10/2017 Wieser D14/358

(Continued)

OTHER PUBLICATIONS

Case Agriculture, "AFS Pro 700 Display Framework", Software Operating Guide, Nov. 2012, 320 pages.

(Continued)

Primary Examiner — Brett Miller

(74) *Attorney, Agent, or Firm* — Thomas J. Oppold;
Larkin Hoffman Daly & Lindgren, Ltd.

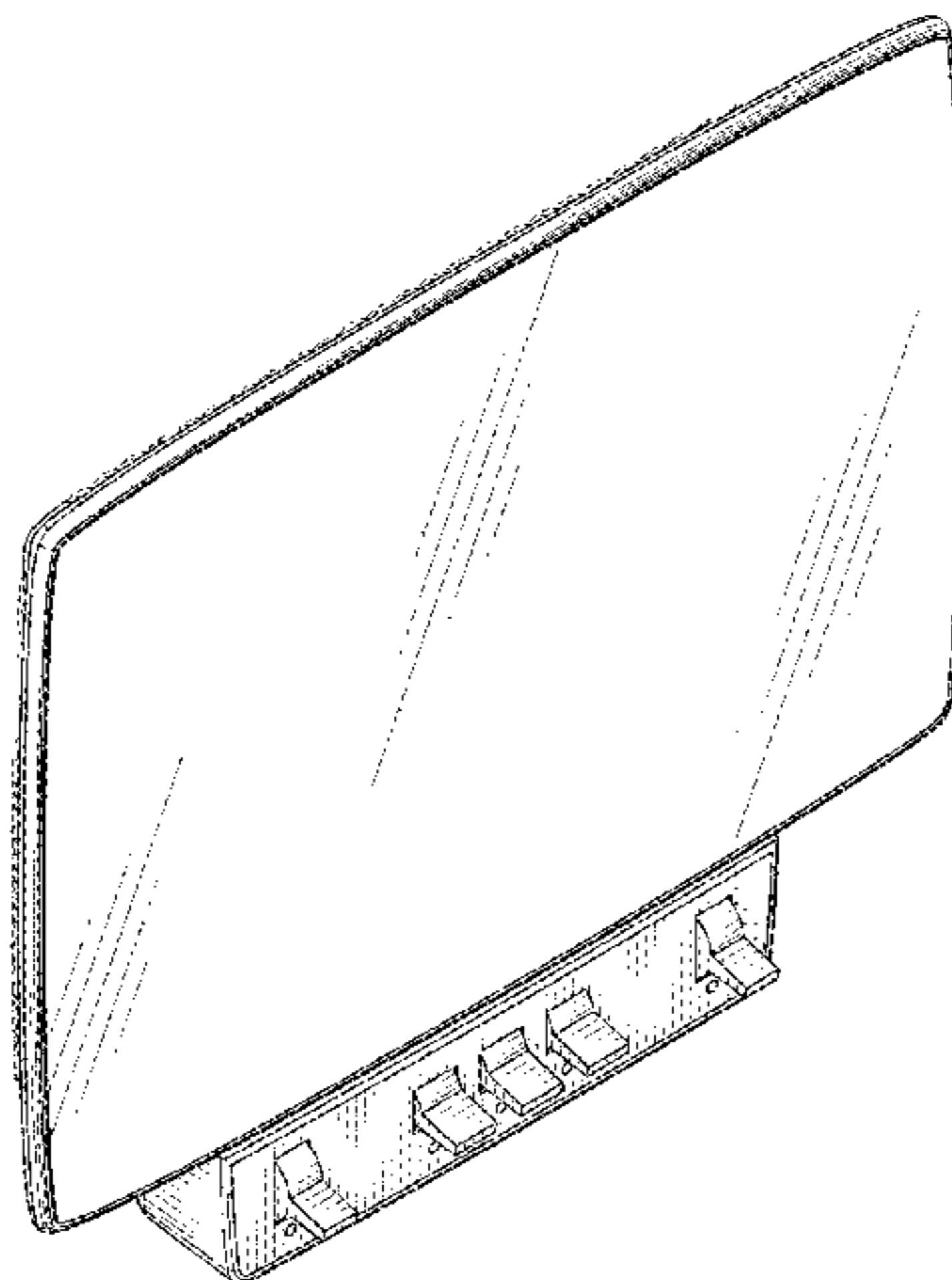
(57) **CLAIM**

The ornamental design for the combined monitor display and base unit, as shown and described.

DESCRIPTION

FIG. 1 is a left front perspective view of a monitor display and base unit of the present design.
FIG. 2 is a left rear perspective view thereof.
FIG. 3 is a right rear perspective view thereof.
FIG. 4 is a front elevation view thereof.
FIG. 5 is a rear elevation view thereof.
FIG. 6 left side elevation view thereof.
FIG. 7 is a right side elevation view thereof.
FIG. 8 is a top plan view thereof; and,
FIG. 9 is a bottom plan view thereof.
The broken lines indicate unclaimed portions and form no part of the claimed design.

1 Claim, 7 Drawing Sheets



(56)

References Cited

U.S. PATENT DOCUMENTS

D826,922 S * 8/2018 Vaananen D14/307
 D829,139 S * 9/2018 Jiang D12/174
 2010/0284137 A1* 11/2010 VanDuy F16M 11/10
 361/679.21
 2015/0208531 A1* 7/2015 Sun F16M 11/00
 248/188.9
 2016/0212866 A1* 7/2016 Luo F16M 11/00

OTHER PUBLICATIONS

AGCO, "C3000 Planter Monitor", Systems Operator Manual, Sep. 2012, 176 pages.
 AG Leader, "Firmware Version 2.2", User Guide, 2017, 130 pages.
 Case Agriculture, "Early Riser 2000 Series Planters", Brochure, 2016, 24 pages.
 Vaderstad, "E-Services series TPF, TPR, TPT, TPV", Instructions, Version 1.8.1, Jul. 6, 2017, 68 pages.
 Trimble, "FmX Integrated Display", User Guide, Version 6.0 Revision A, Oct. 2011, 506 pages.
 John Deere AG Management Solutions, "GreenStar 32630 Display", Operator's Manual, Issue J3, 2013, 402 pages.

AG Leader, "Firmware Version 6.3", Operator's Manual, 2015, 378 pages.
 Dickey-John, "IntelliAg PDC", Operator's Manual, 175 pages.
 New Holland Agriculture, "IntelliView IV", Software Operating Guide, Version 28, Dec. 2012, 320 pages.
 Lemken GMBH, "Operating Instructions Control Solitronic 1.20" 92 pages.
 Horsch, "E-Manager Maestro", Operating Instructions, Mar. 2014, 125 pages.
 New Holland Agriculture, "Precision Land Management", Brochure, 2015. 36 pages.
 Precision Planting, "20/20 RowFlow", Installation Guide, Sep. 2011, 36 pages.
 Precision Planting, "20/20 SeedSense", Operator's Guide, Jan. 2014, 125 pages.
 Deere & Company, "SeedStar 2 and SeedStar XP Monitor for Planters", Manual, 2010, 16 pages.
 Dickey-John, "Intelliag AI-120, ISO Virtual Terminal", Operator's Manual, 2017, 195 pages.
 Viper 4 and Viper 4+, Installation Manual, Mar. 2016, 34 pages.
 Raven, "Viper Pro", Installation & Operation Manual, Dec. 2009, 258 pages.

* cited by examiner

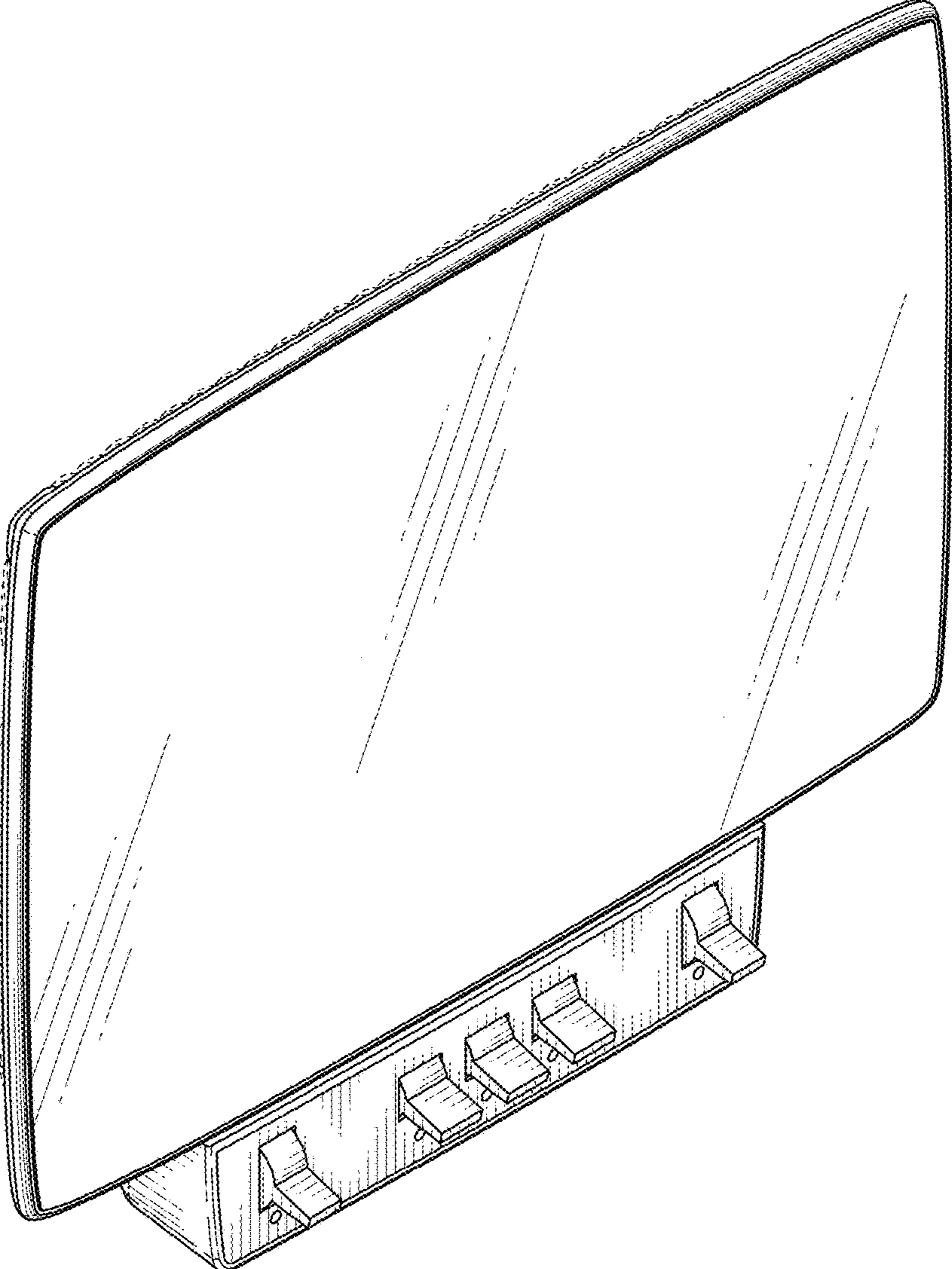


FIG. 1

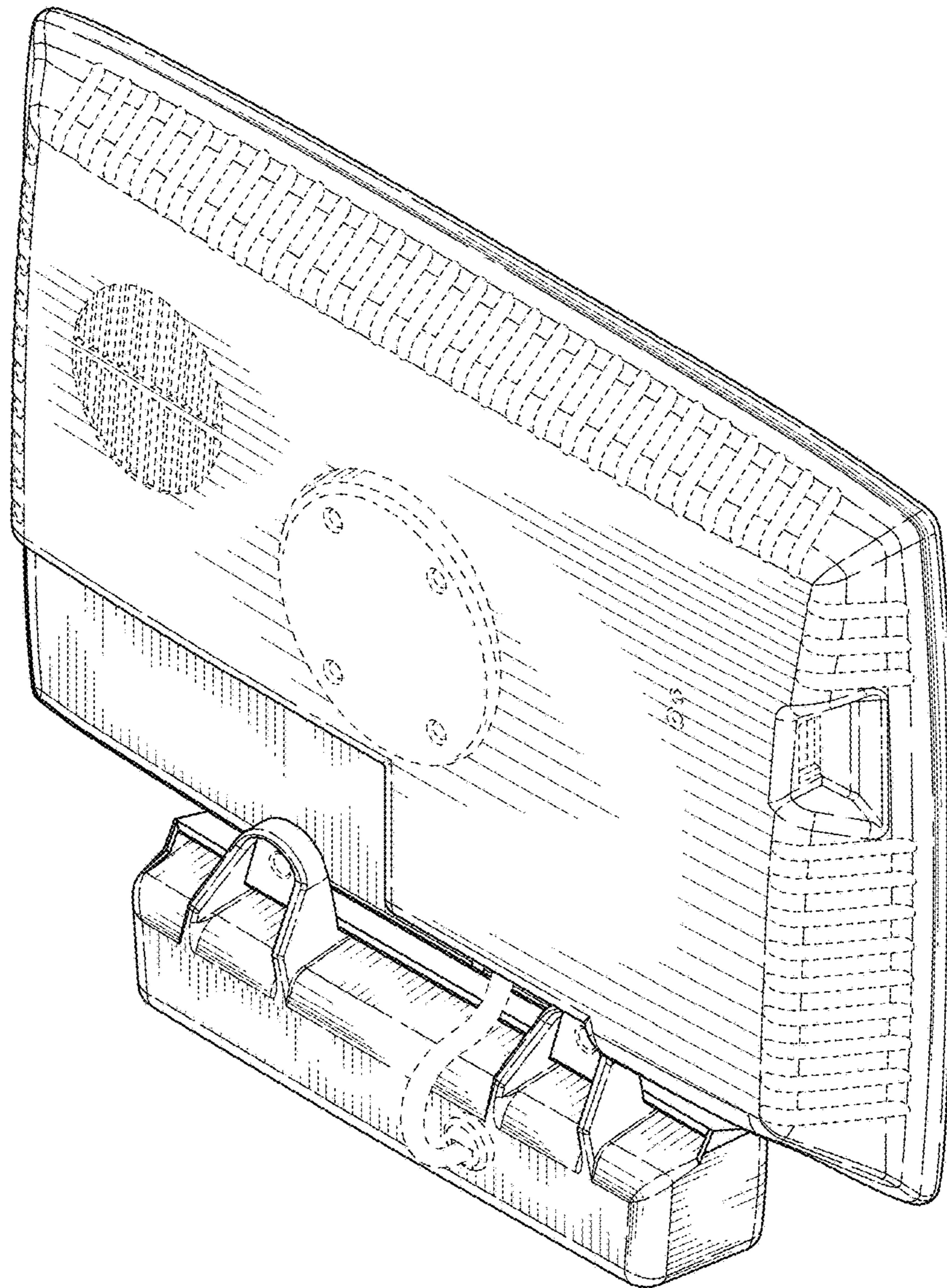


FIG. 2

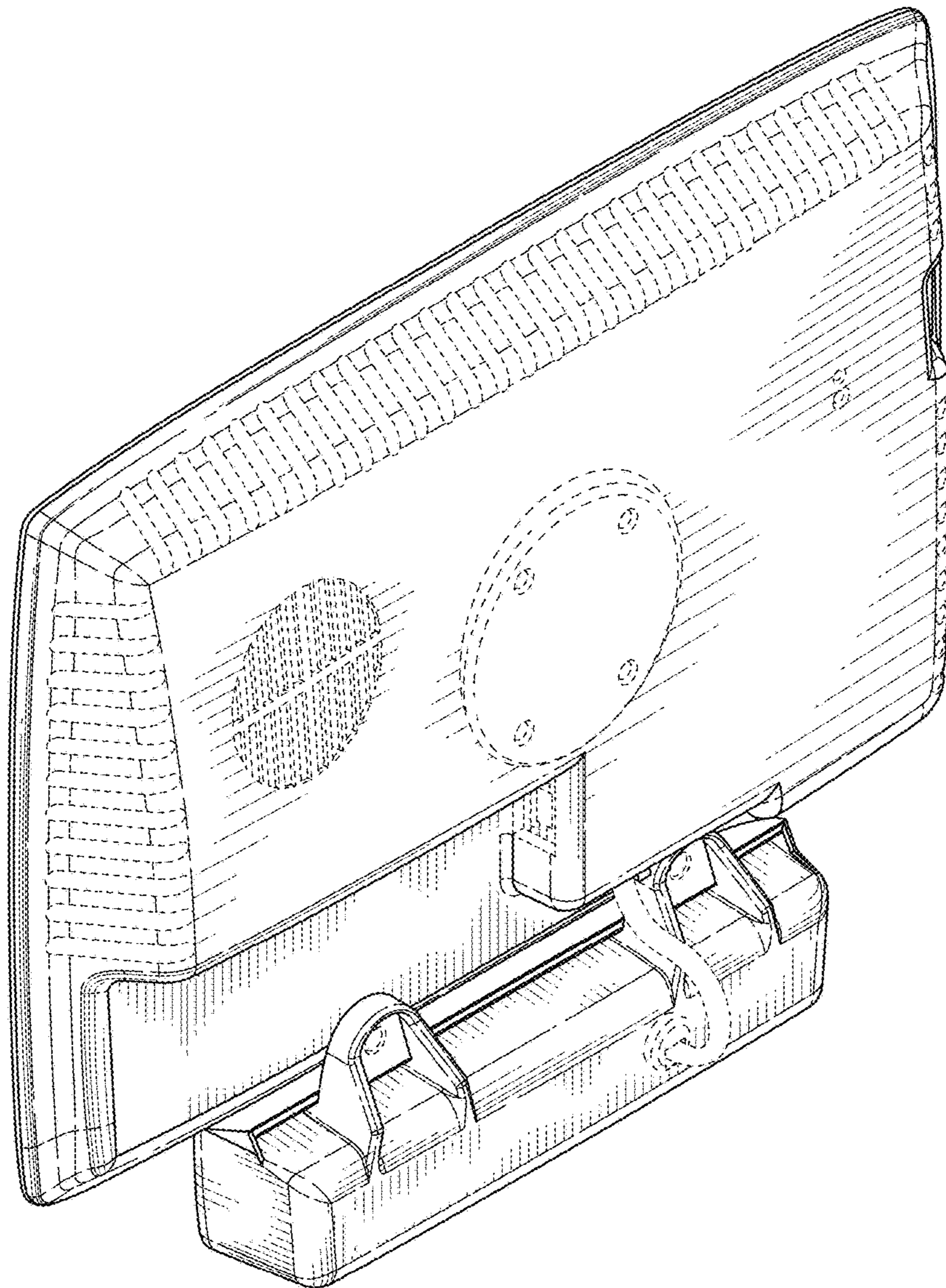


FIG. 3

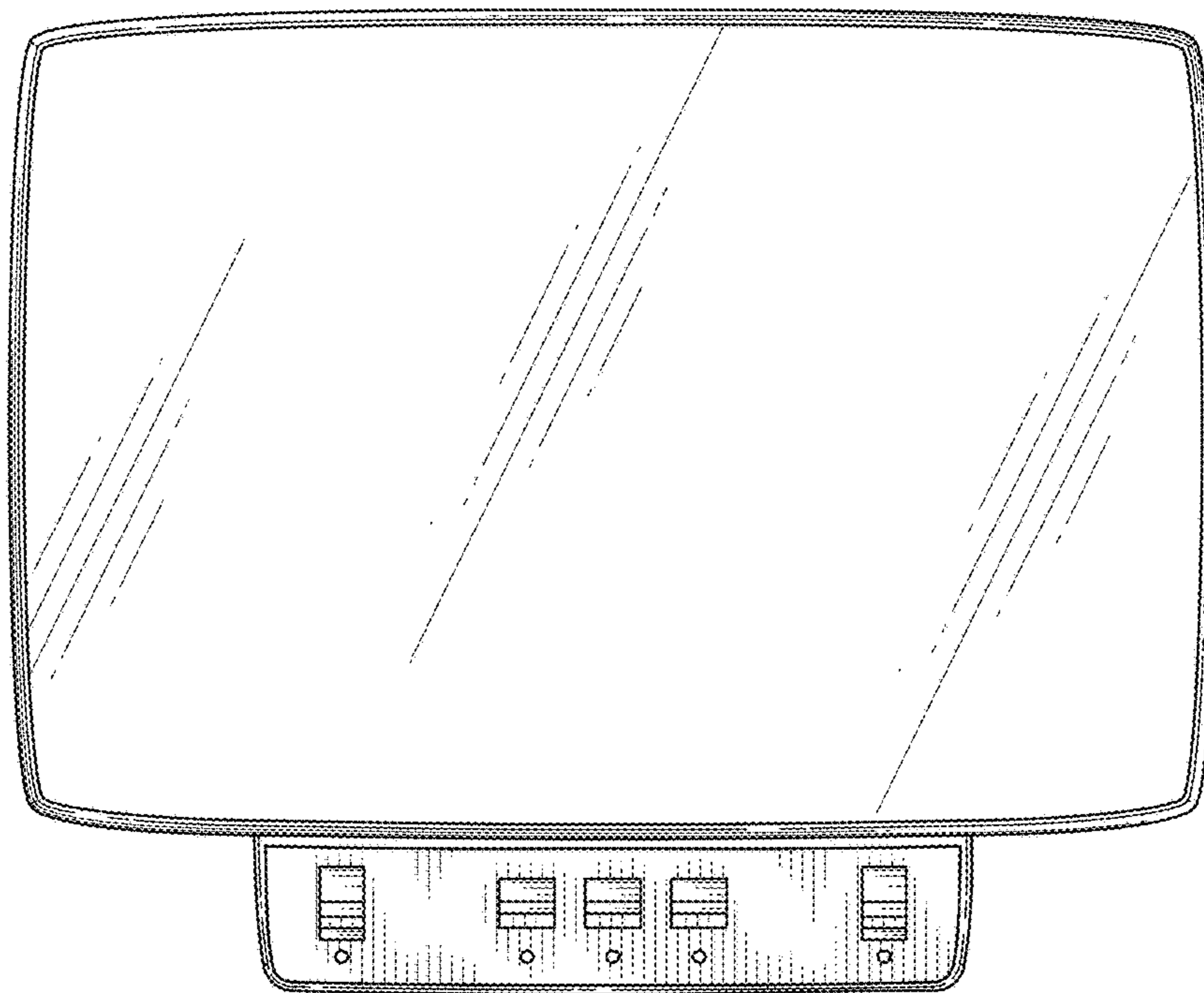


FIG. 4

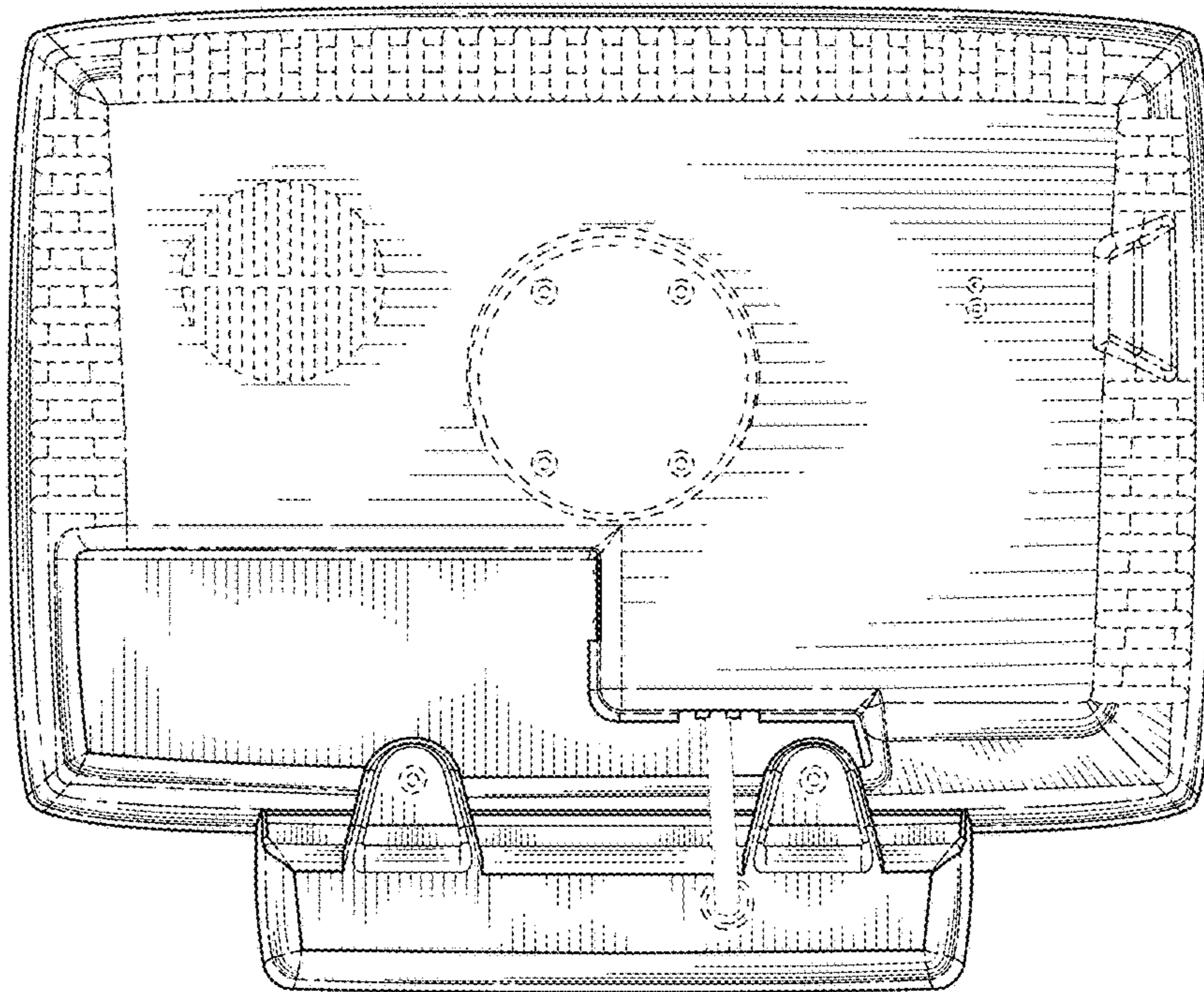


FIG. 5

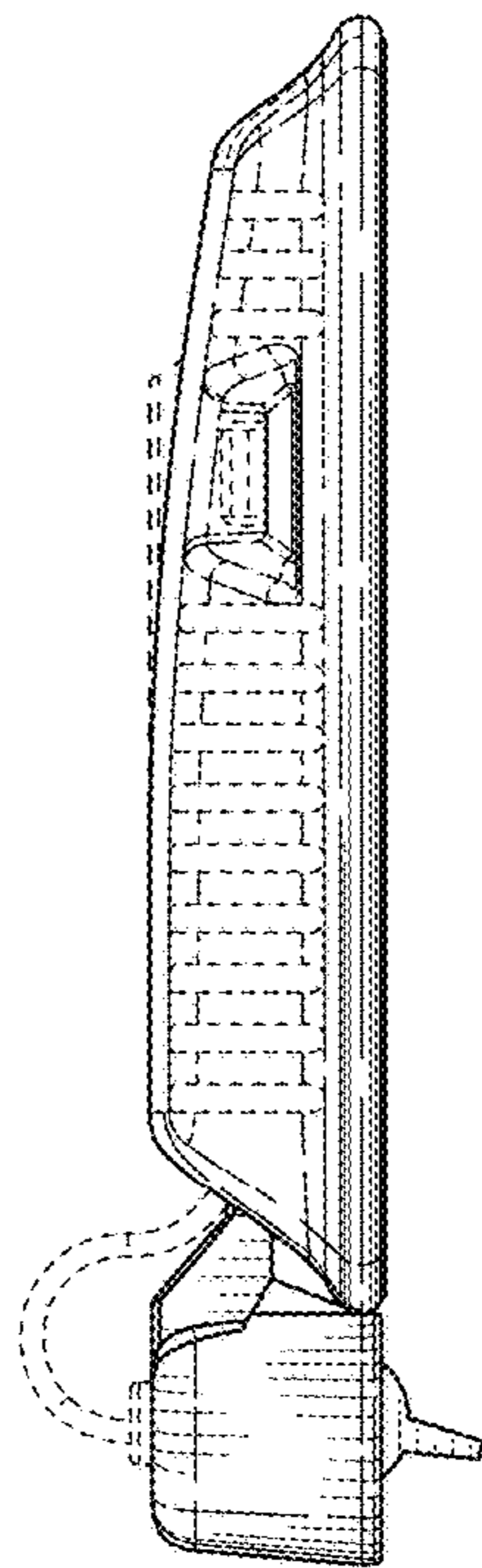


FIG. 6

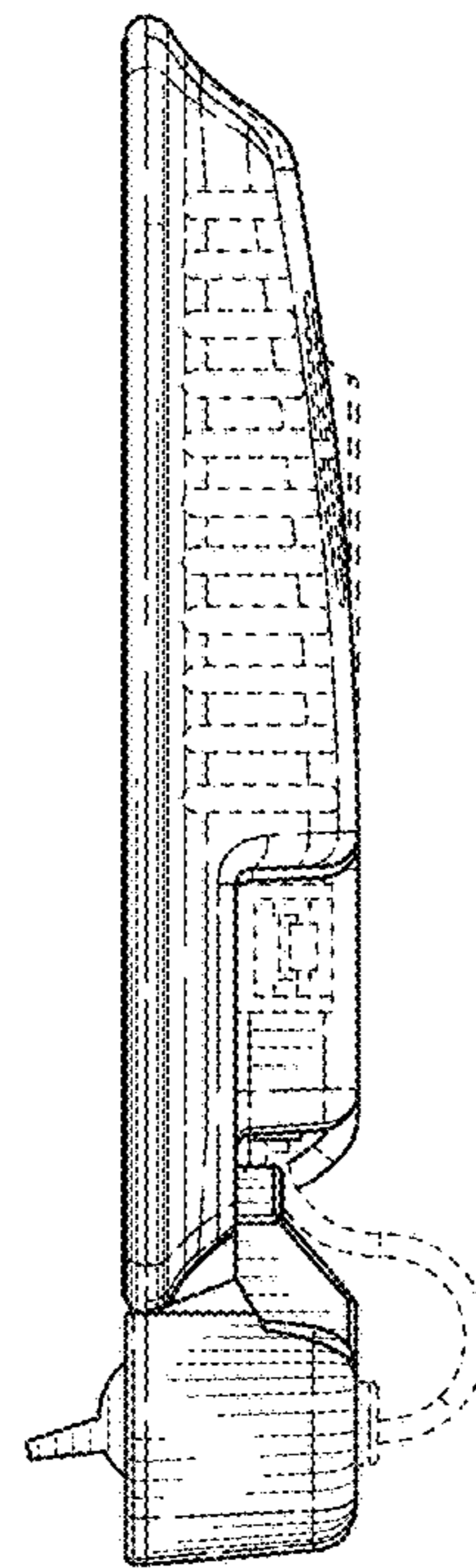


FIG. 7

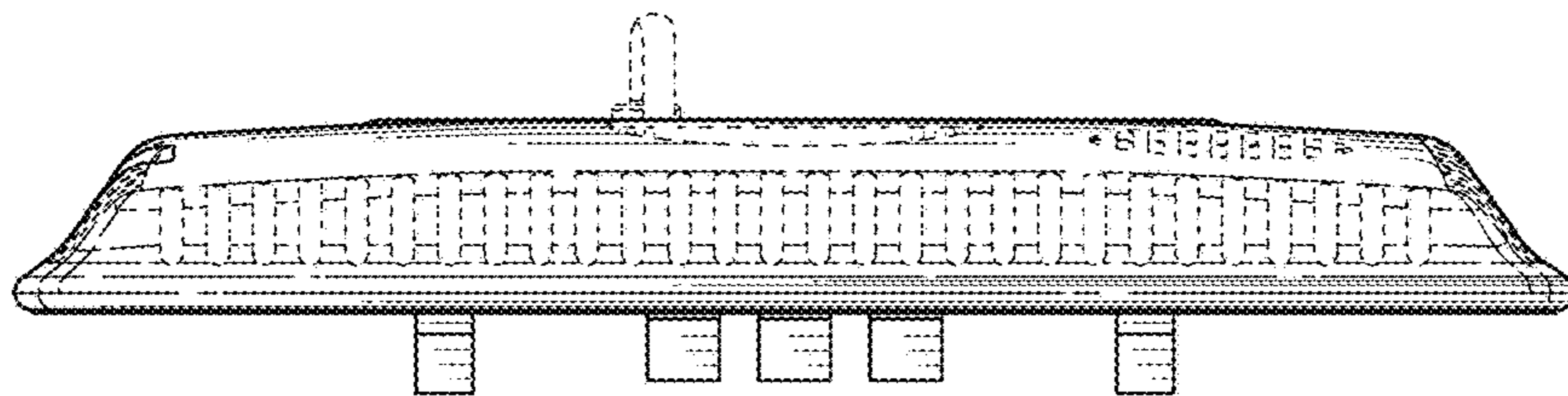


FIG. 8

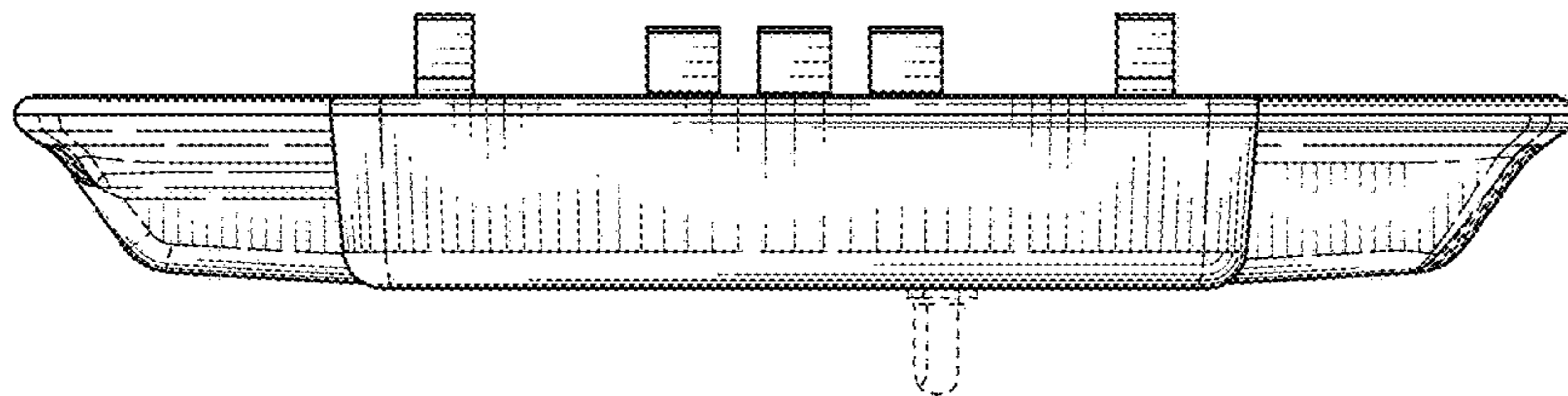


FIG. 9