



US00D860984S

(12) **United States Design Patent**  
**Stagge**

(10) **Patent No.:** **US D860,984 S**

(45) **Date of Patent:** **\*\* Sep. 24, 2019**

(54) **CASE FOR A MOBILE DEVICE**

(71) Applicant: **Scooch, LLC**, Noblesville, IN (US)

(72) Inventor: **John Stagge**, Noblesville, IN (US)

(73) Assignee: **Scooch, LLC**, Noblesville, IN (US)

(\*\*) Term: **15 Years**

(21) Appl. No.: **29/629,248**

(22) Filed: **Dec. 12, 2017**

(51) **LOC (12) Cl.** ..... **14-03**

(52) **U.S. Cl.**  
USPC ..... **D14/250**

(58) **Field of Classification Search**  
USPC ..... D14/250  
CPC ..... A45C 2011/002  
See application file for complete search history.

(56) **References Cited**

**U.S. PATENT DOCUMENTS**

6,321,923 B1 11/2001 Wood  
8,522,965 B1 \* 9/2013 Hsiung ..... H04B 1/3888  
206/320  
D717,780 S \* 11/2014 Tussy ..... D14/250  
D719,951 S \* 12/2014 Fenton ..... D14/253  
D738,872 S \* 9/2015 Erickson-Davis ..... D14/250

(Continued)

**FOREIGN PATENT DOCUMENTS**

CN 302513001 7/2013  
CN 203194032 9/2013

**OTHER PUBLICATIONS**

Scooch Wingman 5-in-1, posted at amazon.com, posting date by Sep. 19, 2017, [online], [site visited May 7, 2019]. Available from Internet, <URL: <https://www.amazon.com/Scooch-Wingman-Samsung-Galaxy-Clear/dp/B072R58TXM>> (Year: 2017).\*

(Continued)

*Primary Examiner* — George D. Kirschbaum

*Assistant Examiner* — Maria J Edwards

(74) *Attorney, Agent, or Firm* — Frost Brown Todd LLC; Dennis S. Schell; Kevin C. Oschman

(57) **CLAIM**

The ornamental design for a case for a mobile device, as shown and described.

**DESCRIPTION**

FIG. 1 is a perspective view of the front-right side of a first embodiment of the new design with a bistable spring in a first position;

FIG. 2 is a front view of the first embodiment with the bistable spring in a first position;

FIG. 3 is a right side view of the first embodiment with the bistable spring in a first position;

FIG. 4 is a left side view of the first embodiment with the bistable spring in a first position;

FIG. 5 is a rear view of the first embodiment with the bistable spring in a first position;

FIG. 6 is a bottom view of the first embodiment with the bistable spring in a first position;

FIG. 7 is a top view of the first embodiment with the bistable spring in a first position;

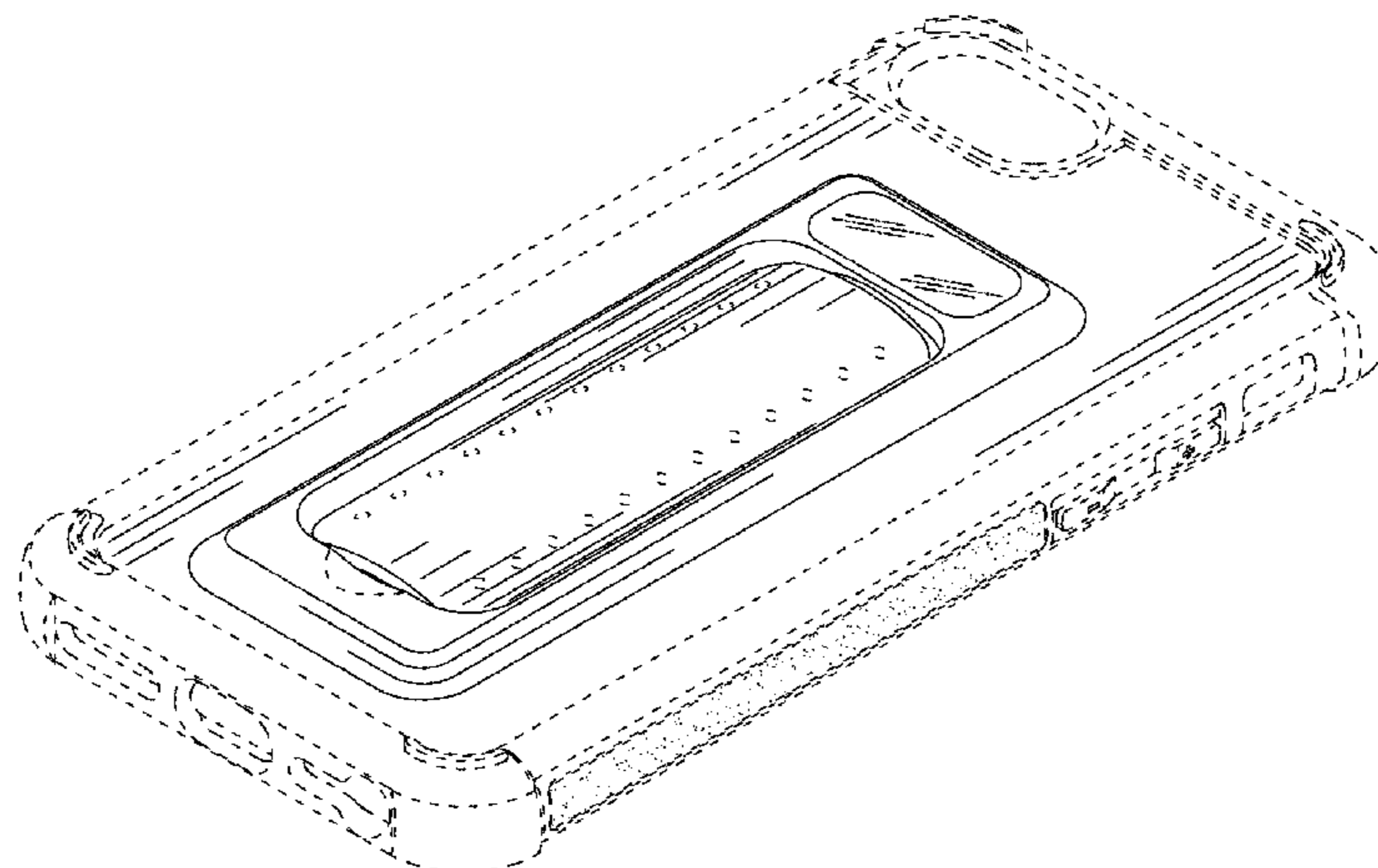
FIG. 8 is a perspective view of the rear-right side of the first embodiment with the bistable spring in a first position, shown with an illustrative mobile device;

FIG. 9 is a perspective view of the front-right side of the first embodiment of the new design with the bistable spring in a second position; and,

FIG. 10 is a right side view of the first embodiment with the bistable spring in a second position, shown positioned on a surface and with an illustrative mobile device.

The broken lines in the drawings illustrate portions of the article and form no part of the claimed design or illustrate environmental structure and form no part of the claimed design.

**1 Claim, 9 Drawing Sheets**



(56)

**References Cited**

U.S. PATENT DOCUMENTS

D756,339 S \* 5/2016 Tussy ..... D14/250  
D761,240 S \* 7/2016 Ozolins ..... D14/250  
D775,114 S \* 12/2016 Khalili ..... D14/250  
D777,162 S \* 1/2017 Erickson-Davis ..... D14/250  
D778,275 S \* 2/2017 Gabriel ..... D14/250  
D780,166 S \* 2/2017 Lin ..... D14/250  
D840,988 S \* 2/2019 Kim ..... D14/250  
D841,636 S \* 2/2019 Turk ..... B60R 11/02  
D14/250

2012/0074291 A1 3/2012 Fu  
2016/0345695 A1 12/2016 Stagge

OTHER PUBLICATIONS

Case-Mate Snap Case for The iPhone 4 and 4s, Looney Tek,  
Retrieved from:<https://www.youtube.com/watch?v=U39C61Hn7nQ>,  
published on Mar. 31, 2012.

Scooch LLC, Clipstic Pro Cases, Available on Internet Archive  
Wayback Machine at <URL: <https://web.archive.org/web/20160205142047/http://scoochcase.com>>, Feb. 5, 2016.

\* cited by examiner

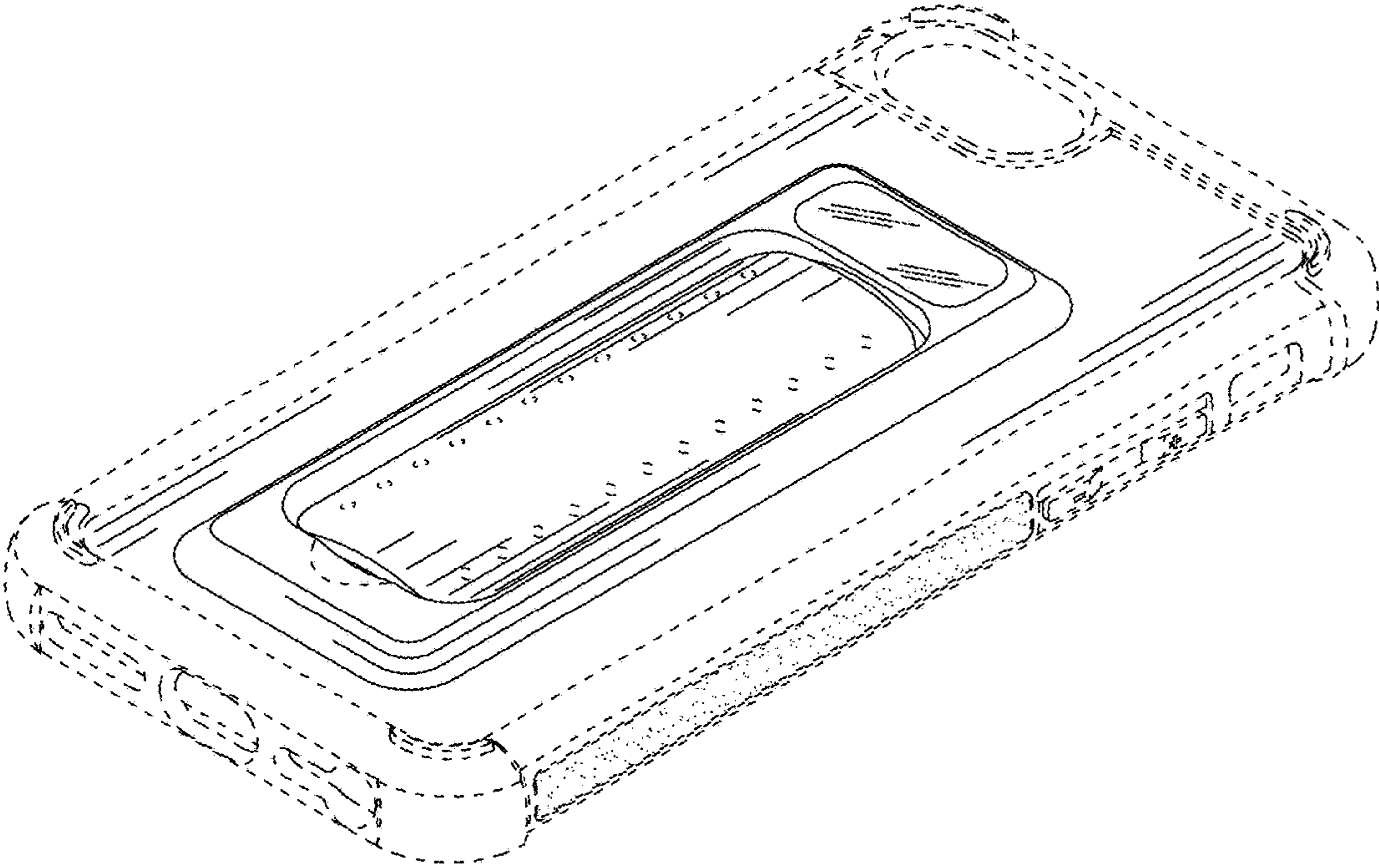


FIG. 1

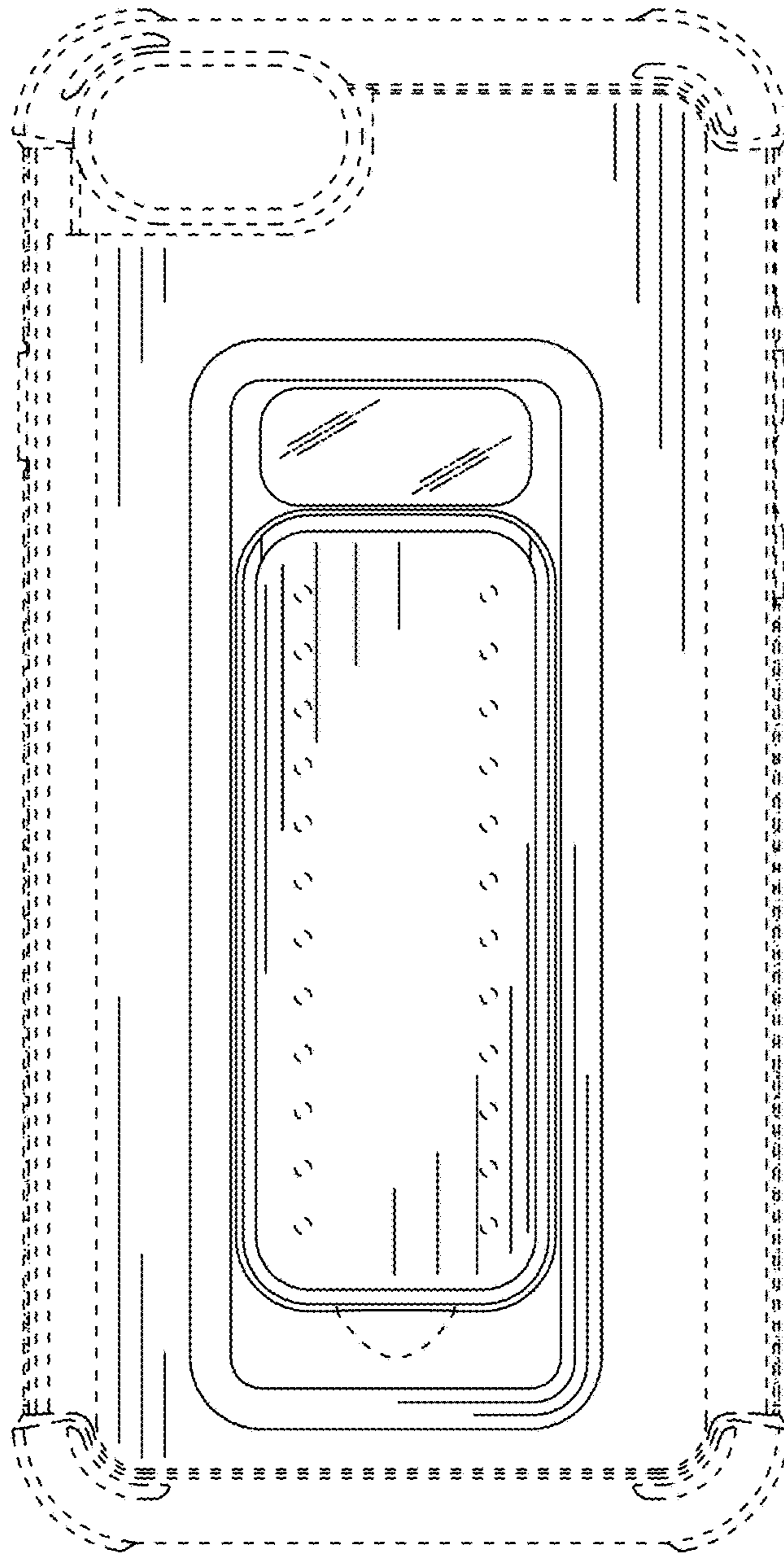


FIG. 2

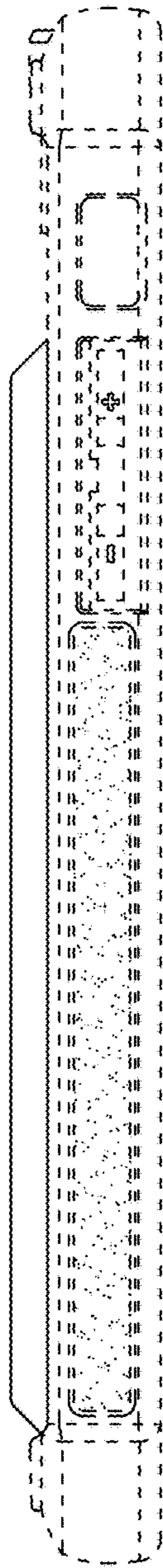


FIG. 3

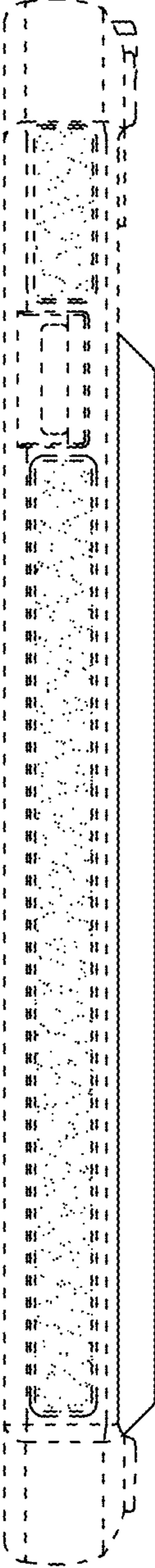


FIG. 4

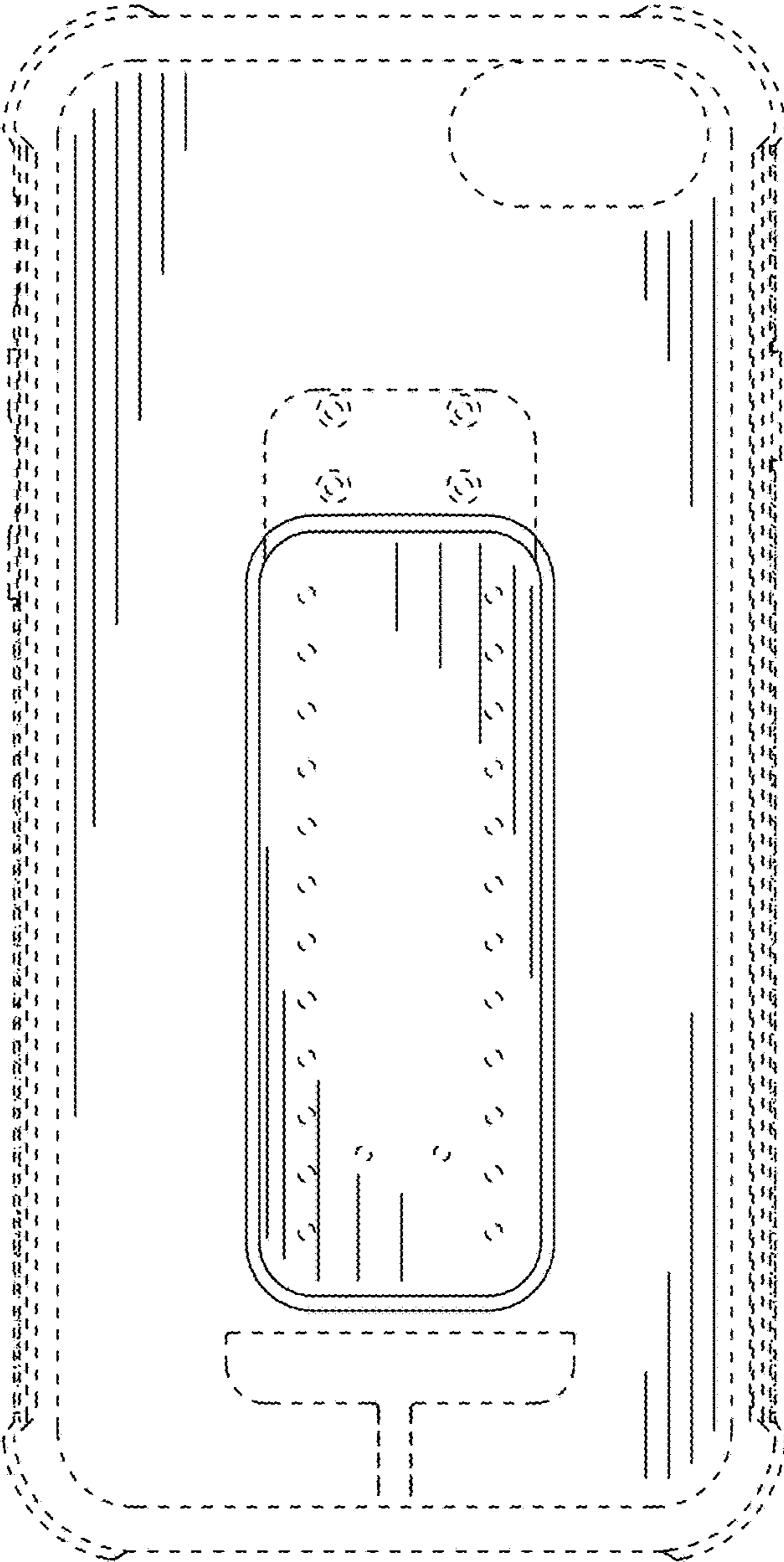


FIG. 5

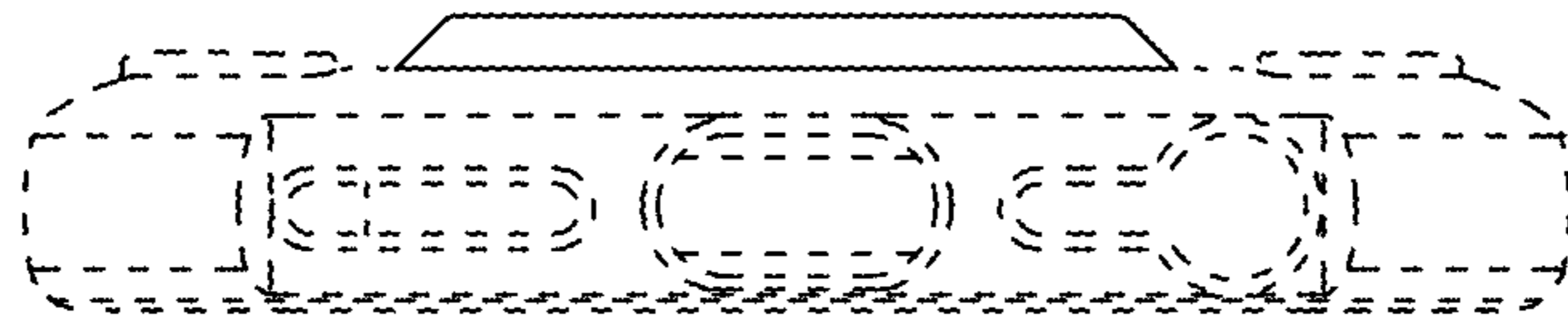


FIG. 6

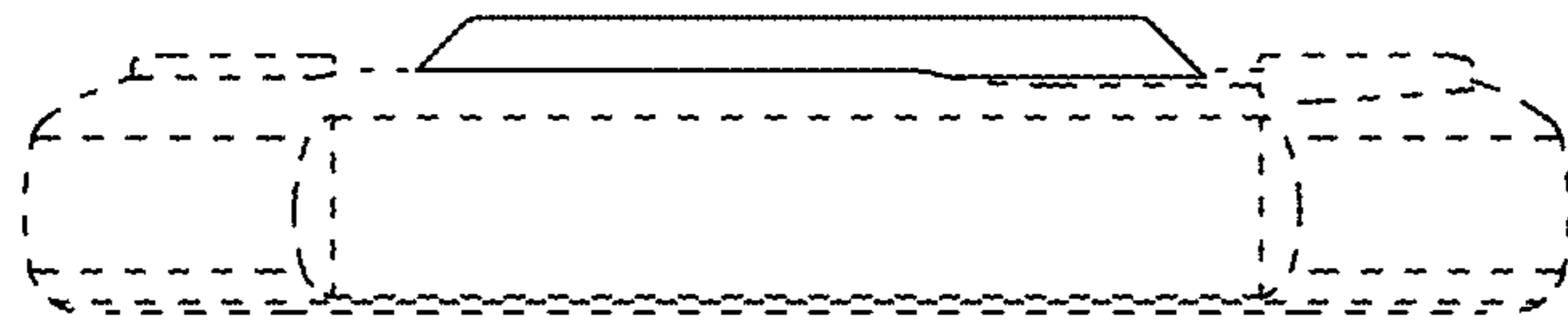


FIG. 7



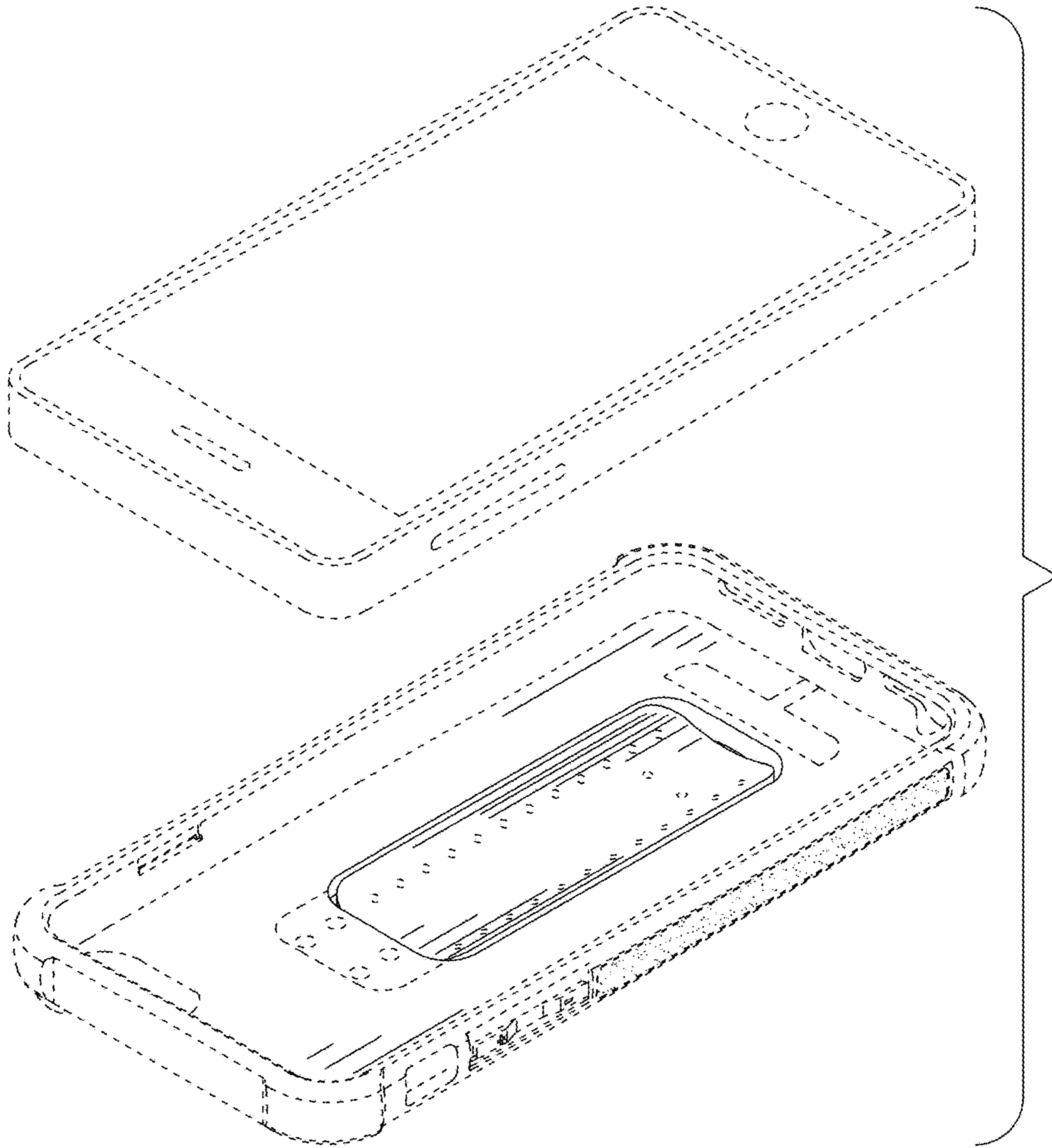


FIG. 8

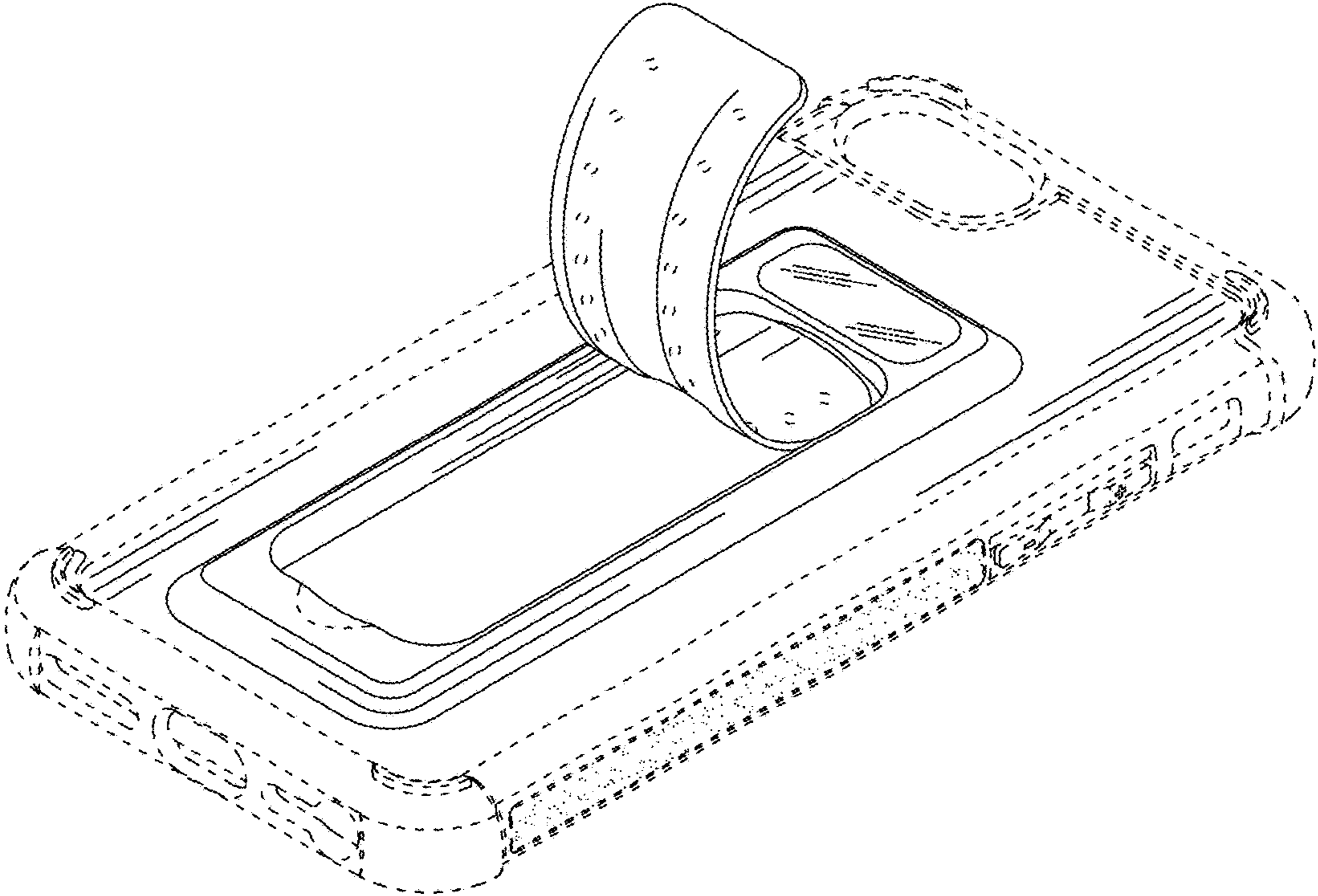


FIG. 9

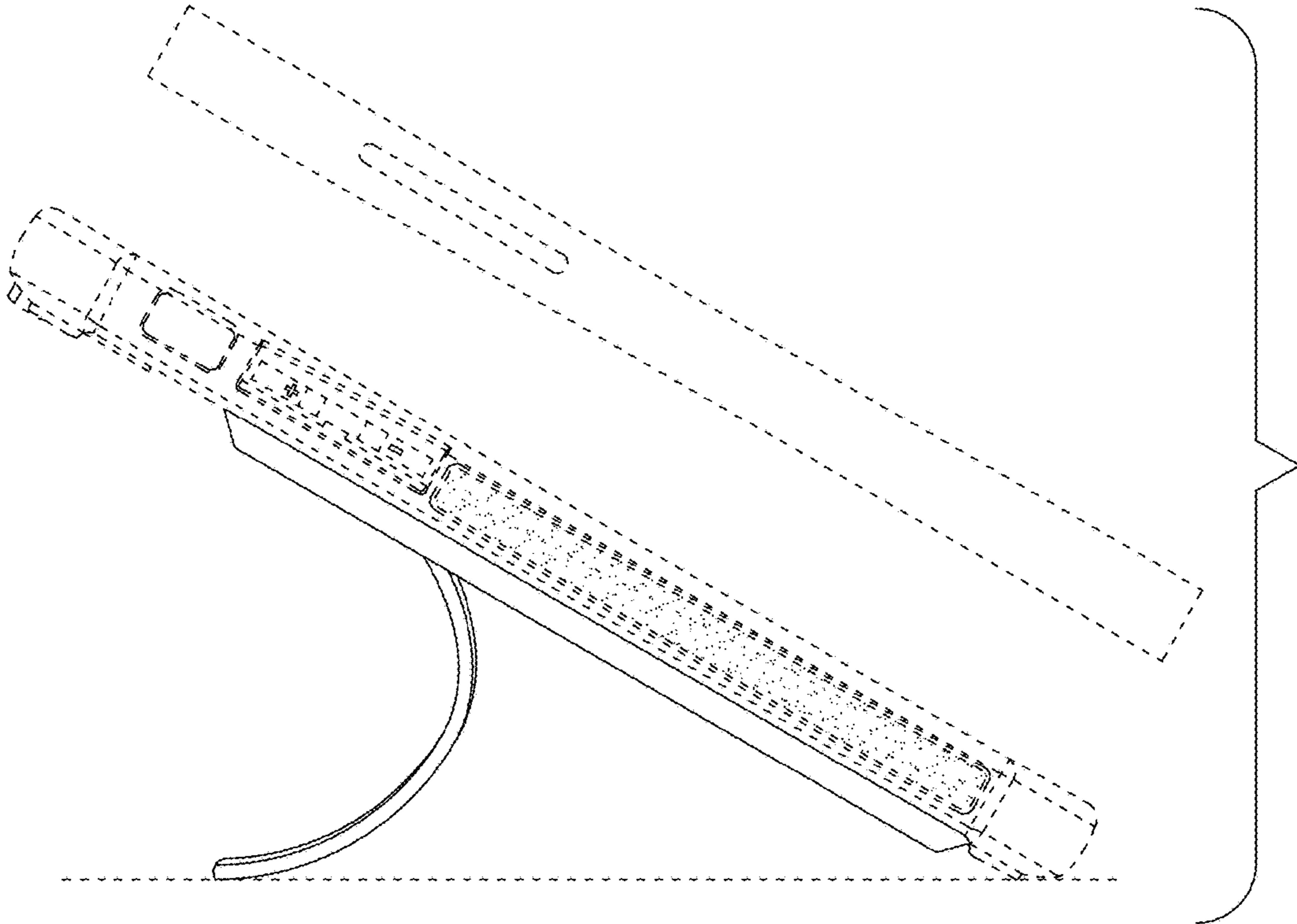


FIG. 10