



US00D860977S

(12) **United States Design Patent** (10) **Patent No.:** **US D860,977 S**  
**Levine** (45) **Date of Patent:** **\*\* Sep. 24, 2019**

- (54) **HINGE PORTION OF MICROPHONE ACCESSORY**
- (71) Applicant: **New Audio LLC**, New York, NY (US)
- (72) Inventor: **Jonathan E. Levine**, New York, NY (US)
- (73) Assignee: **New Audio LLC**, New York, NY (US)
- (\*\*) Term: **15 Years**
- (21) Appl. No.: **29/636,714**
- (22) Filed: **Feb. 9, 2018**

- D533,166 S \* 12/2006 Marquez ..... D14/225
- 7,447,529 B2 \* 11/2008 Gunter ..... H04R 1/083  
379/430
- D617,781 S \* 6/2010 Kallas ..... D14/226
- D657,218 S \* 4/2012 Wilder ..... D8/51
- D715,273 S \* 10/2014 Holmen ..... D14/229
- D723,511 S \* 3/2015 Pedersen ..... D14/206
- D727,280 S 4/2015 Levine et al.
- D727,281 S 4/2015 Levine et al.
- D736,174 S 8/2015 Levine et al.
- D736,175 S 8/2015 Levine et al.

(Continued)

**Related U.S. Application Data**

- (63) Continuation of application No. 29/542,067, filed on Oct. 9, 2015, now Pat. No. Des. 810,055, which is a continuation of application No. 29/495,943, filed on Jul. 7, 2014, now Pat. No. Des. 741,842.

- (51) **LOC (12) Cl.** ..... **14-01**
- (52) **U.S. Cl.**  
USPC ..... **D14/225**

- (58) **Field of Classification Search**  
USPC ..... D8/323, 325, 326; D14/204–206, 209.1,  
D14/217, 225–229, 299  
CPC ..... H04R 1/083; H04R 1/08; H04R 1/406;  
H04R 1/105; H04R 1/1016; H04R  
2201/107; F16C 11/0623  
See application file for complete search history.

(56) **References Cited**

**U.S. PATENT DOCUMENTS**

- 3,922,725 A 12/1975 Csiki
- D409,621 S \* 5/1999 Andrea ..... D14/206
- D410,466 S 6/1999 Mouri et al.
- D436,348 S \* 1/2001 McGugan ..... D14/142
- 6,625,293 B1 \* 9/2003 Nageno ..... H04R 1/08  
181/20
- D508,691 S \* 8/2005 Meyer ..... D14/228

**OTHER PUBLICATIONS**

Master & Dynamic MM800 Boom <http://www.laststyleofdefense.com/2015/02/master-dynamic-mm800-boom.html> Feb. 18, 2015 (Year: 2015).\*

(Continued)

*Primary Examiner* — Leanne Was-Englehart  
(74) *Attorney, Agent, or Firm* — Perkins Coie LLP

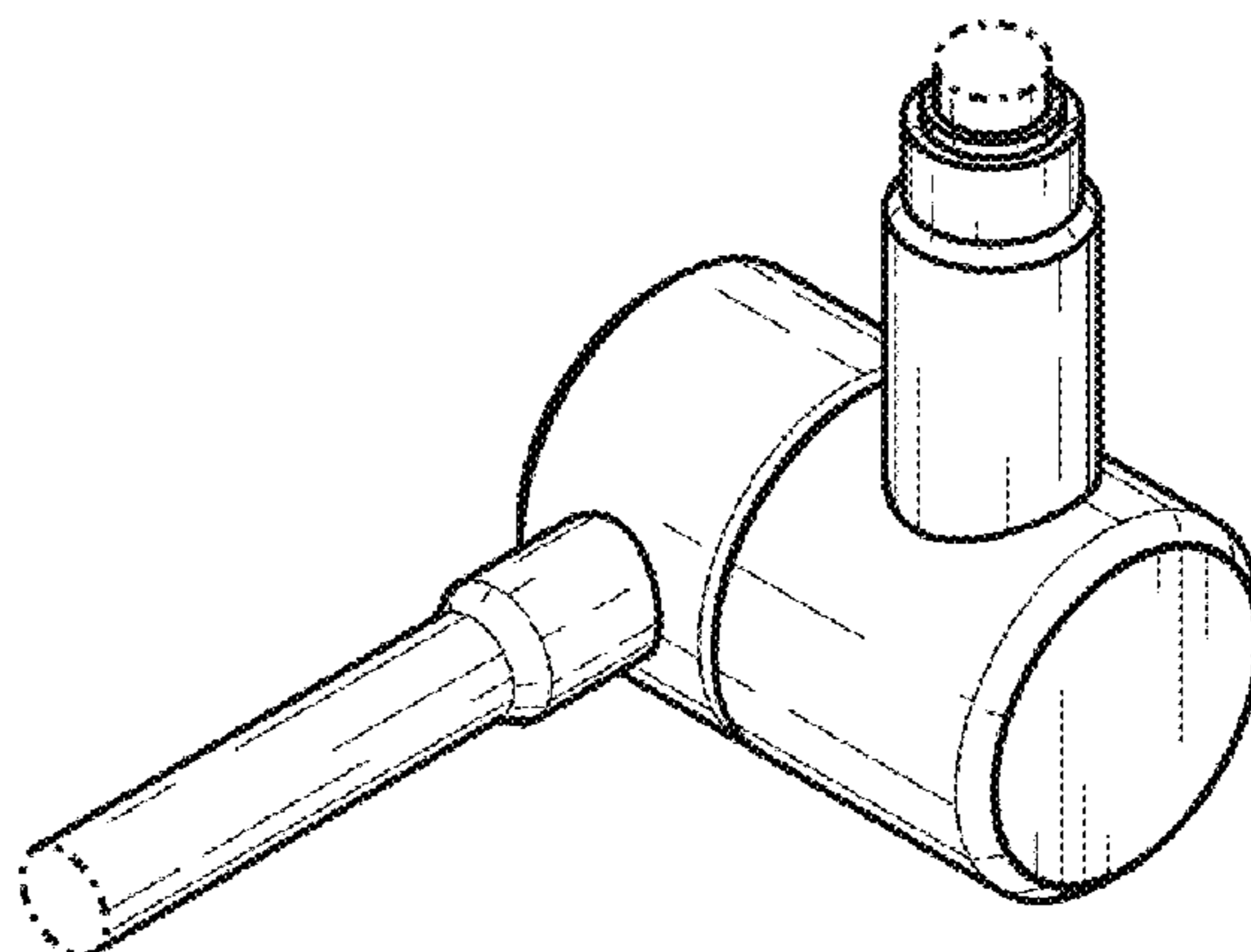
(57) **CLAIM**

The ornamental design for a hinge portion of a microphone accessory, as shown and described.

**DESCRIPTION**

FIG. 1 is a perspective view of a hinge portion of a microphone accessory showing my design, as viewed from the top and front.  
FIG. 2 is a front elevational view thereof.  
FIG. 3 is a back elevational view thereof.  
FIG. 4 is a left side elevational view thereof.  
FIG. 5 is a right side elevational view thereof.  
FIG. 6 is a top plan view thereof; and,  
FIG. 7 is a bottom plan view thereof.  
The uneven broken lines depict the limits of the claimed design. The portions between the uneven broken lines form no part of the claimed design.

**1 Claim, 2 Drawing Sheets**



(56)

References Cited

U.S. PATENT DOCUMENTS

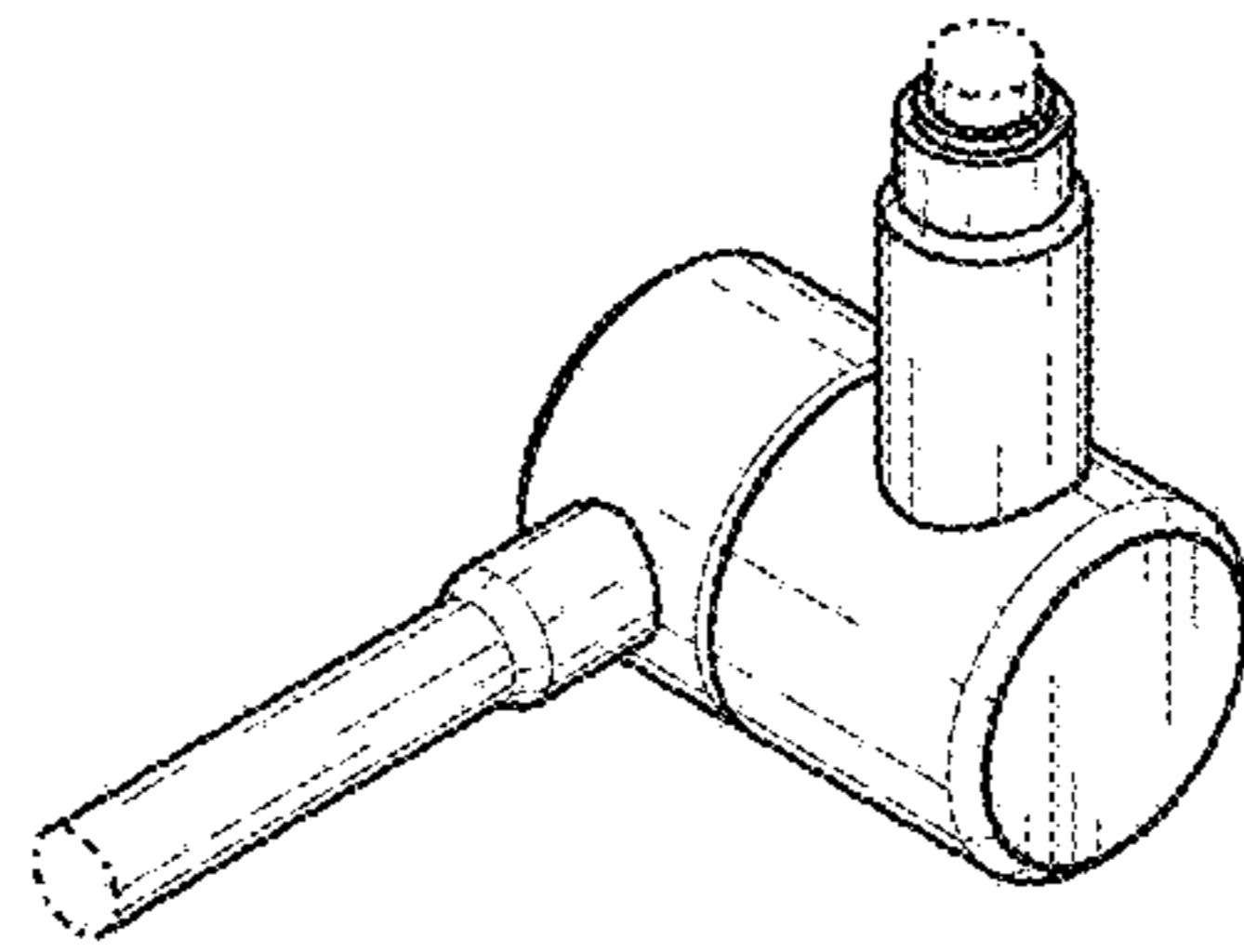
D741,841 S 10/2015 Fuller et al.  
 D741,842 S \* 10/2015 Levine ..... D14/226  
 9,297,409 B2 \* 3/2016 Kallas ..... H04R 1/083  
 D762,190 S 7/2016 Levine  
 D762,191 S 7/2016 Levine  
 D763,228 S \* 8/2016 Carr ..... D14/206  
 D772,206 S \* 11/2016 Lasier ..... D14/230  
 D772,841 S 11/2016 Levine  
 D774,490 S \* 12/2016 Lin ..... D14/205  
 D776,083 S \* 1/2017 Lee ..... D14/205  
 D776,635 S \* 1/2017 Chang ..... D14/205  
 D776,637 S \* 1/2017 Chen ..... D14/206  
 D777,138 S \* 1/2017 Fletcher ..... D14/205  
 D777,139 S \* 1/2017 Fletcher ..... D14/205  
 D780,155 S 2/2017 Levine  
 D781,265 S 3/2017 Levine  
 D781,814 S 3/2017 Levine  
 9,729,954 B2 8/2017 Levine  
 D805,056 S 12/2017 Levine  
 D810,055 S \* 2/2018 Levine ..... D14/226  
 D812,588 S 3/2018 Levine  
 D820,810 S 6/2018 Levine  
 2008/0056525 A1 3/2008 Fujiwara  
 2010/0177907 A1 7/2010 Morisawa  
 2012/0070028 A1 3/2012 Margulies  
 2016/0119702 A1 \* 4/2016 Matsui ..... H04R 1/083  
 381/367  
 2017/0041696 A1 2/2017 Levine et al.

2017/0041697 A1 2/2017 Levine et al.  
 2017/0134845 A1 5/2017 Milam  
 2017/0339479 A1 11/2017 Levine  
 2018/0020277 A1 1/2018 Briggs  
 2018/0020278 A1 1/2018 Levine et al.

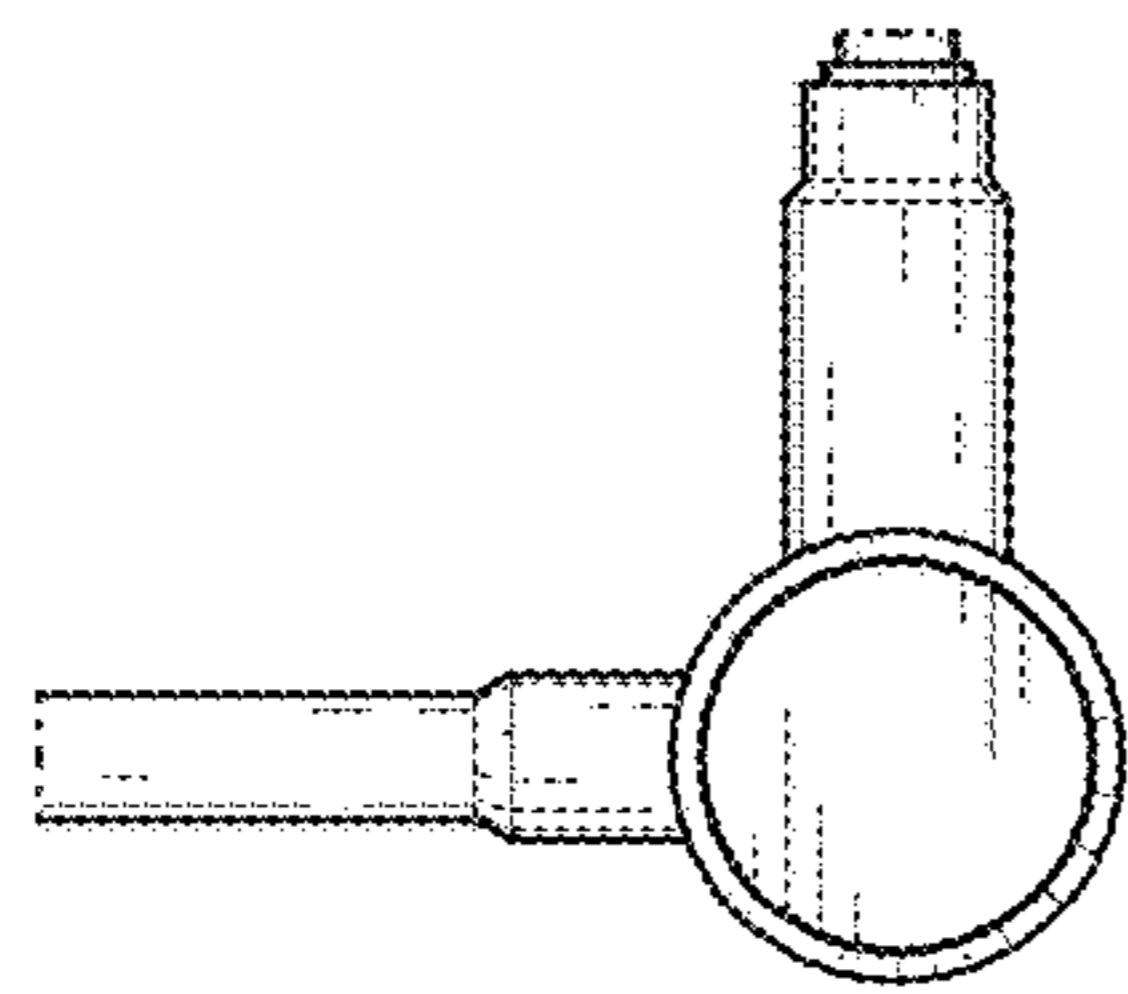
OTHER PUBLICATIONS

Master & Dynamic Boom Mic <https://www.masterdynamic.co.uk/products/boom-mic> Jan. 31, 2015 (Year: 2015).\*  
 U.S. Appl. No. 15/853,395, filed Dec. 22, 2017, Levine, Jonathan E et al.  
 U.S. Appl. No. 29/599,322, filed Mar. 31, 2017, Levine, Jonathan E et al.  
 U.S. Appl. No. 29/599,994, filed Apr. 7, 2017, Levine, Jonathan E et al.  
 U.S. Appl. No. 29/632,542, filed Jan. 8, 2018, Drew Stone Briggs et al.  
 U.S. Appl. No. 29/628,837, filed Dec. 7, 2017, Levine, Jonathan E.  
 U.S. Appl. No. 29/596,857, filed Mar. 10, 2017, Levine, Jonathan E. et al.  
 U.S. Appl. No. 29/636,718, filed Feb. 9, 2018, Levine, Jonathan E.  
 U.S. Appl. No. 29/647,397, filed May 11, 2018, Briggs, Drew Stone et al.  
 U.S. Appl. No. 29/647,389, filed May 11, 2018, Briggs, Drew Stone et al.  
<https://www.masterdynamic.co.uk/products/boom-mic> ; Available Jan. 31, 2015.

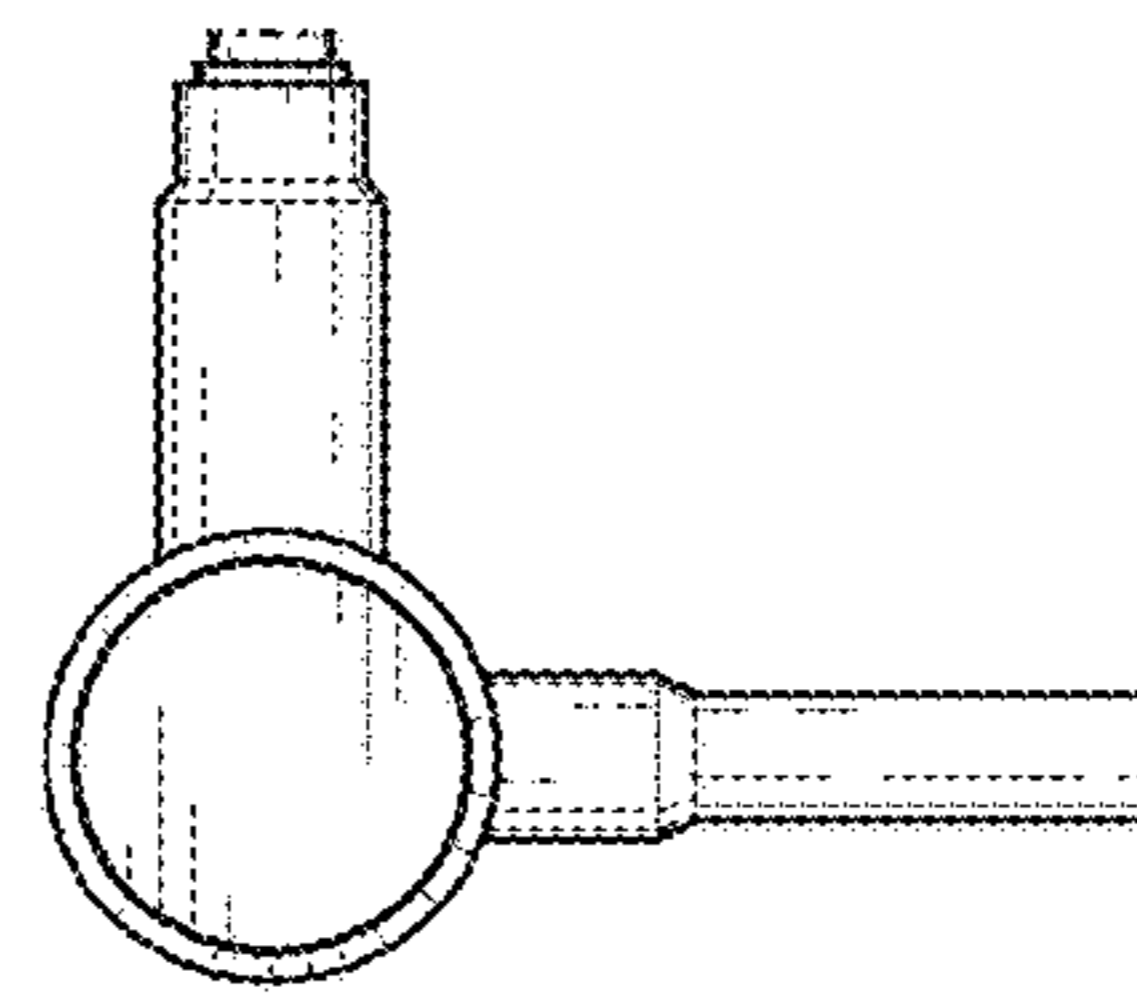
\* cited by examiner



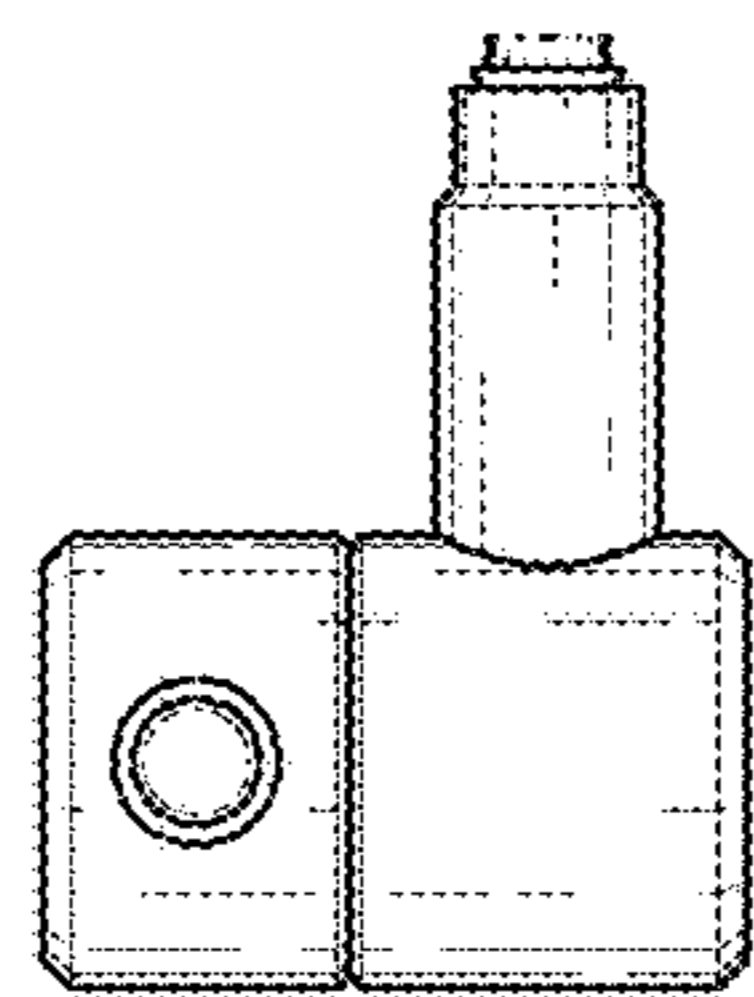
*Fig. 1*



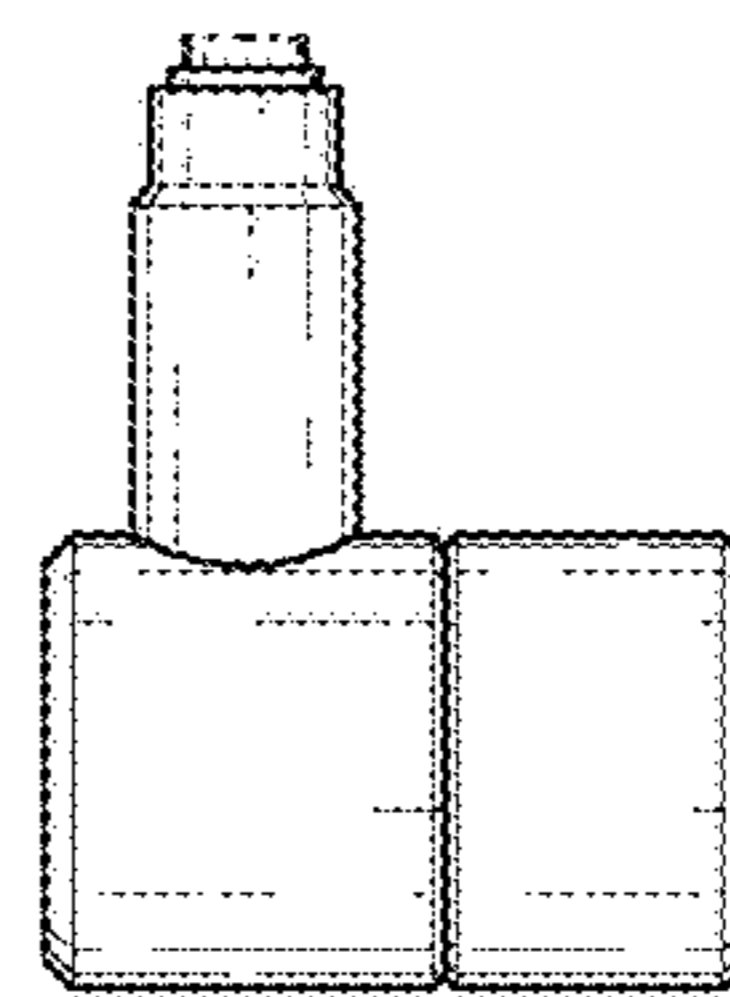
*Fig. 2*



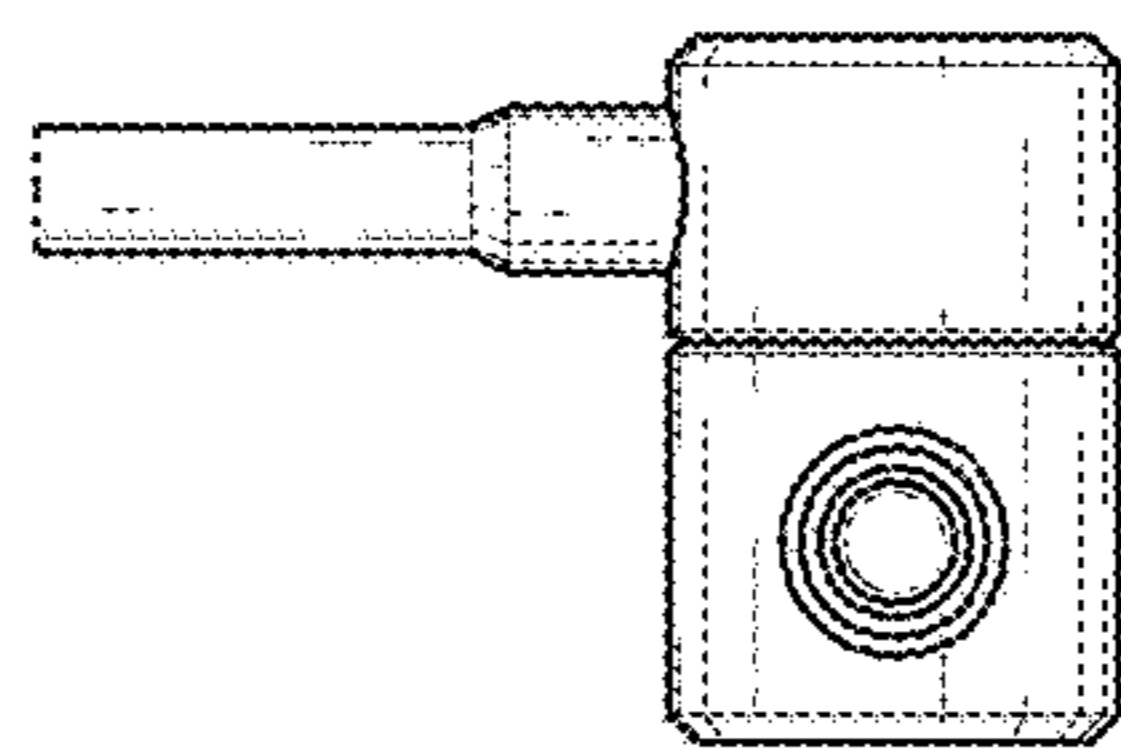
*Fig. 3*



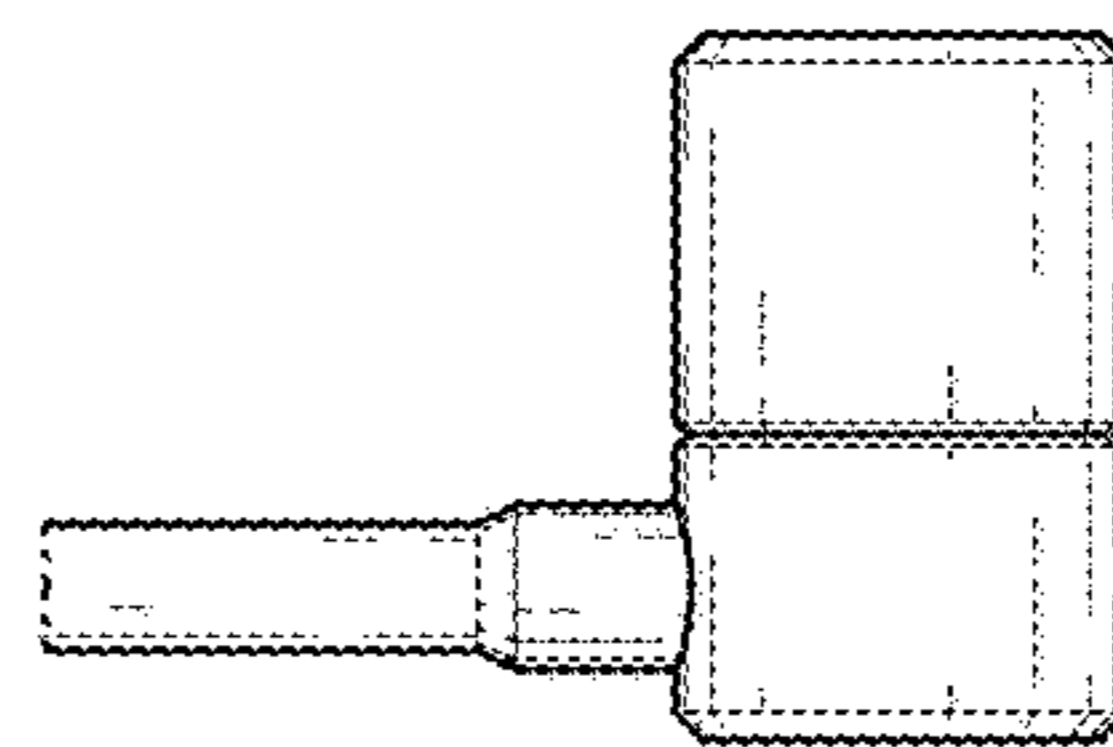
*Fig. 4*



*Fig. 5*



*Fig. 6*



*Fig. 7*