

US00D860976S

(12) **United States Design Patent** (10) **Patent No.:** **US D860,976 S**
Zhang et al. (45) **Date of Patent:** **** Sep. 24, 2019**

(54) **EARPHONE COMPONENT**
(71) Applicant: **LIBRATONE A/S**, Nordhavn (DK)
(72) Inventors: **Jie Zhang**, Beijing (CN); **Wei Wang**, Beijing (CN)
(73) Assignee: **LIBRATONE A/S**, Nordhavn (DK)
(**) Term: **15 Years**
(21) Appl. No.: **35/504,720**
(22) Filed: **Dec. 8, 2017**
(80) **Hague Agreement Data**
Int. Filing Date: **Dec. 8, 2017**
Int. Reg. No.: **DM/100330**
Int. Reg. Date: **Dec. 8, 2017**
Int. Reg. Pub. Date: **Apr. 6, 2018**

(30) **Foreign Application Priority Data**
Jun. 9, 2017 (CN) 2017 3 0234871
Sep. 30, 2017 (CN) 2017 3 0472490
(51) **LOC (12) Cl.** **14-01**
(52) **U.S. Cl.**
USPC **D14/223**
(58) **Field of Classification Search**
USPC D14/204, 205, 206, 223, 224, 225, 249, D14/433, 138 R, 188, 172, 203.1, 496; D29/112; D24/174, 173, 106, 372, 191, D24/192; D8/330, 341; D13/118, 108, D13/119
CPC H04R 25/02; H04R 25/02; H04R 1/10; H04R 1/10016; H04R 1/105; H04R 1/1083; H04R 1/02; H04R 1/1041; H04R 1/28; H04R 2420/07; H04R 2430/00; H04R 2430/01; H04R 5/033; H04R 25/00
See application file for complete search history.

(56) **References Cited**
U.S. PATENT DOCUMENTS
D326,655 S * 6/1992 Iribe D14/192
D705,757 S * 5/2014 Yashiro H04R 1/10
D14/223
(Continued)

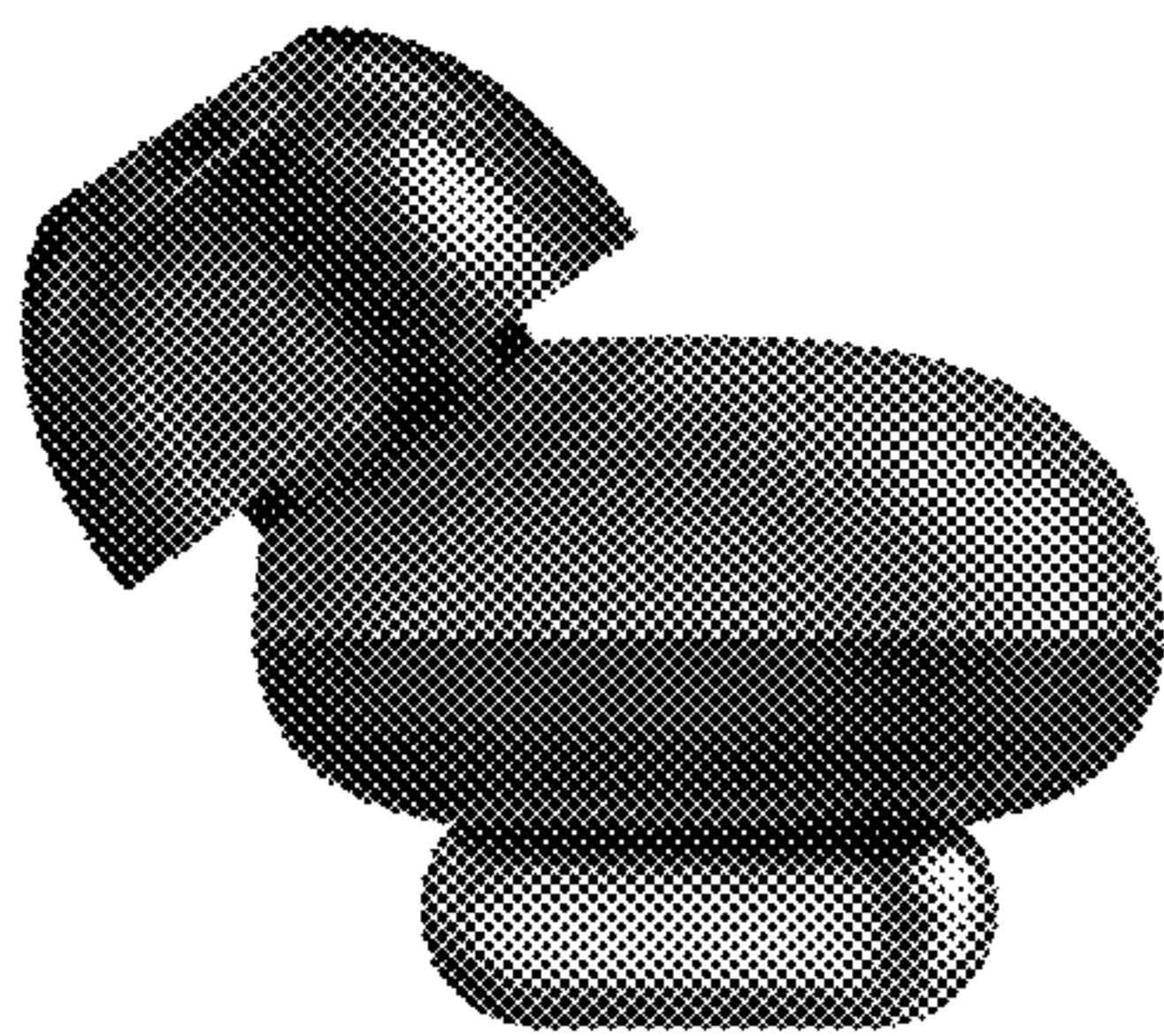
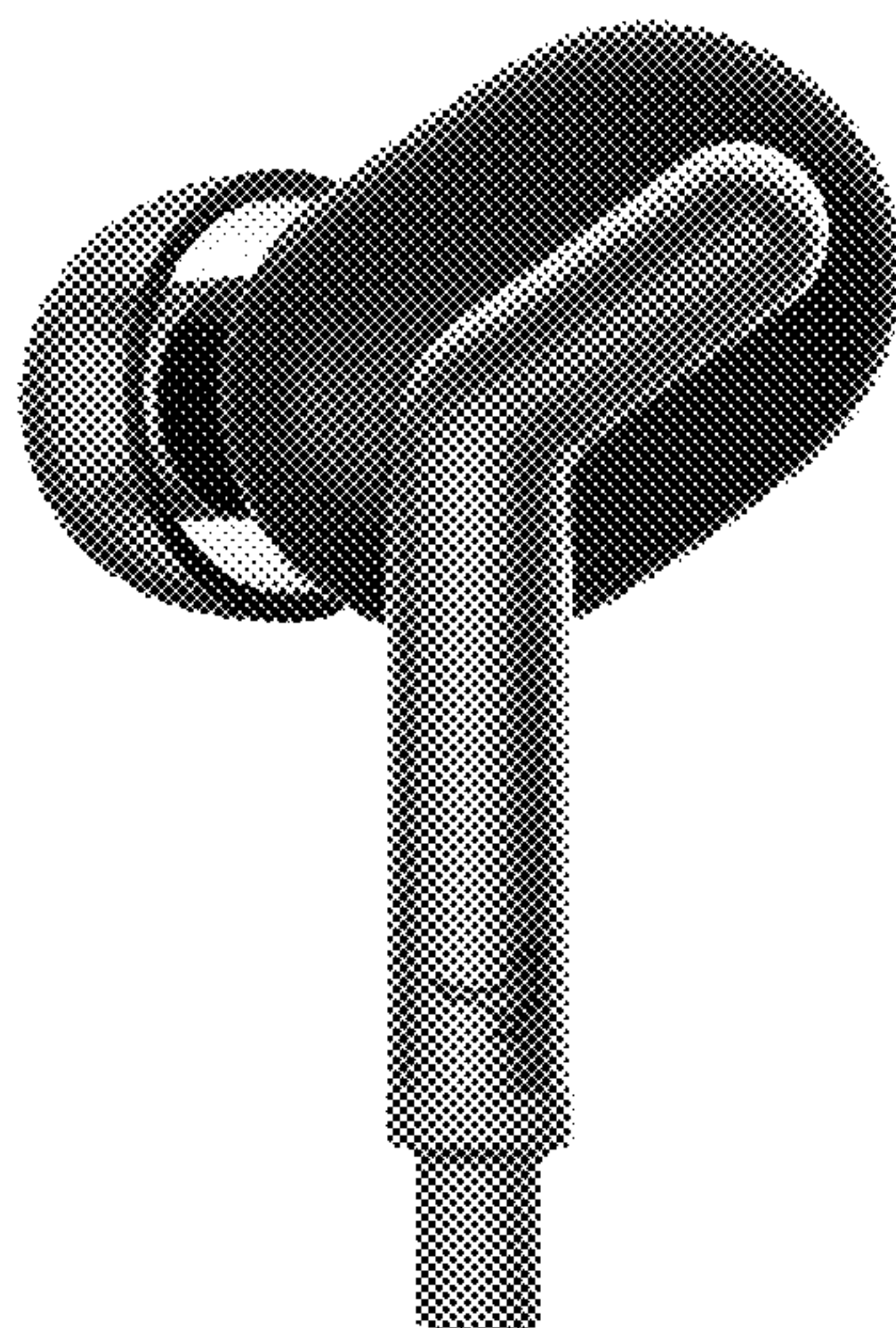
OTHER PUBLICATIONS
Libratone Q Adapt USB-C Earphones, no date available, [online], [site visited Jan. 3, 2019]. Retrieved from url:https://store.google.com/product/libratone_q_adapt_earphones (Year: 2019).*
(Continued)

Primary Examiner — Jeffrey D Asch
Assistant Examiner — Tracey J Bell
(74) *Attorney, Agent, or Firm* — Margaret Polson; Polson Intellectual Property Law, PC

(57) **CLAIM**
The ornamental design for an earphone component, as shown and described.

DESCRIPTION
Earphone components
1.1 is a front elevation view of an earphone component showing our new design in a first embodiment;
1.2 is a back elevation view thereof;
1.3 is a left side elevation view thereof;
1.4 is a right side elevation view thereof;
1.5 is a top plan view thereof;
1.6 is a bottom plan view thereof;
4.1 is a front elevation view of an earphone component showing our new design in a second embodiment;
4.2 is a back elevation view thereof;
4.3 is a left side elevation view thereof;
4.4 is a right side elevation view thereof;
4.5 is a top plan view thereof;
4.6 is a bottom plan view thereof; and
4.7 is a perspective view thereof.

1 Claim, 13 Drawing Sheets



(56)

References Cited

U.S. PATENT DOCUMENTS

D737,251	S	*	8/2015	Thompson	D14/223
D764,445	S	*	8/2016	Czaniecki	D14/223
D788,112	S	*	5/2017	Liao	D14/433
D798,844	S	*	10/2017	Nokuo	D14/223
D800,097	S	*	10/2017	Chen	D14/223
D801,950	S	*	11/2017	Otani	D14/223
D804,445	S	*	12/2017	Golnik	D14/205
D806,879	S	*	1/2018	Horbinski	D24/174
D810,724	S	*	2/2018	Czaniecki	D14/223
D817,309	S	*	5/2018	Czaniecki	D14/223
D821,999	S	*	7/2018	Guo	D14/205
D823,827	S	*	7/2018	Pourriot	D14/205
D824,876	S	*	8/2018	Wei	D14/205
D830,336	S	*	10/2018	Cai	D14/205
D833,420	S	*	11/2018	Lindenberger	D14/223
D833,445	S	*	11/2018	Xie	D14/433
2017/0195770	A1	*	7/2017	Cheney	H04R 1/1025
2018/0352320	A1	*	12/2018	Lin	H04R 1/1041

OTHER PUBLICATIONS

Track plus Wireless Bluetooth earphones with noise cancellation, no date available, [online], [site visited Apr. 23, 2019]. Retrieved from url:<https://www.libratone.com/us/products/headphones/trackplus/> (Year: 2019).*

* cited by examiner

1.1



1.2



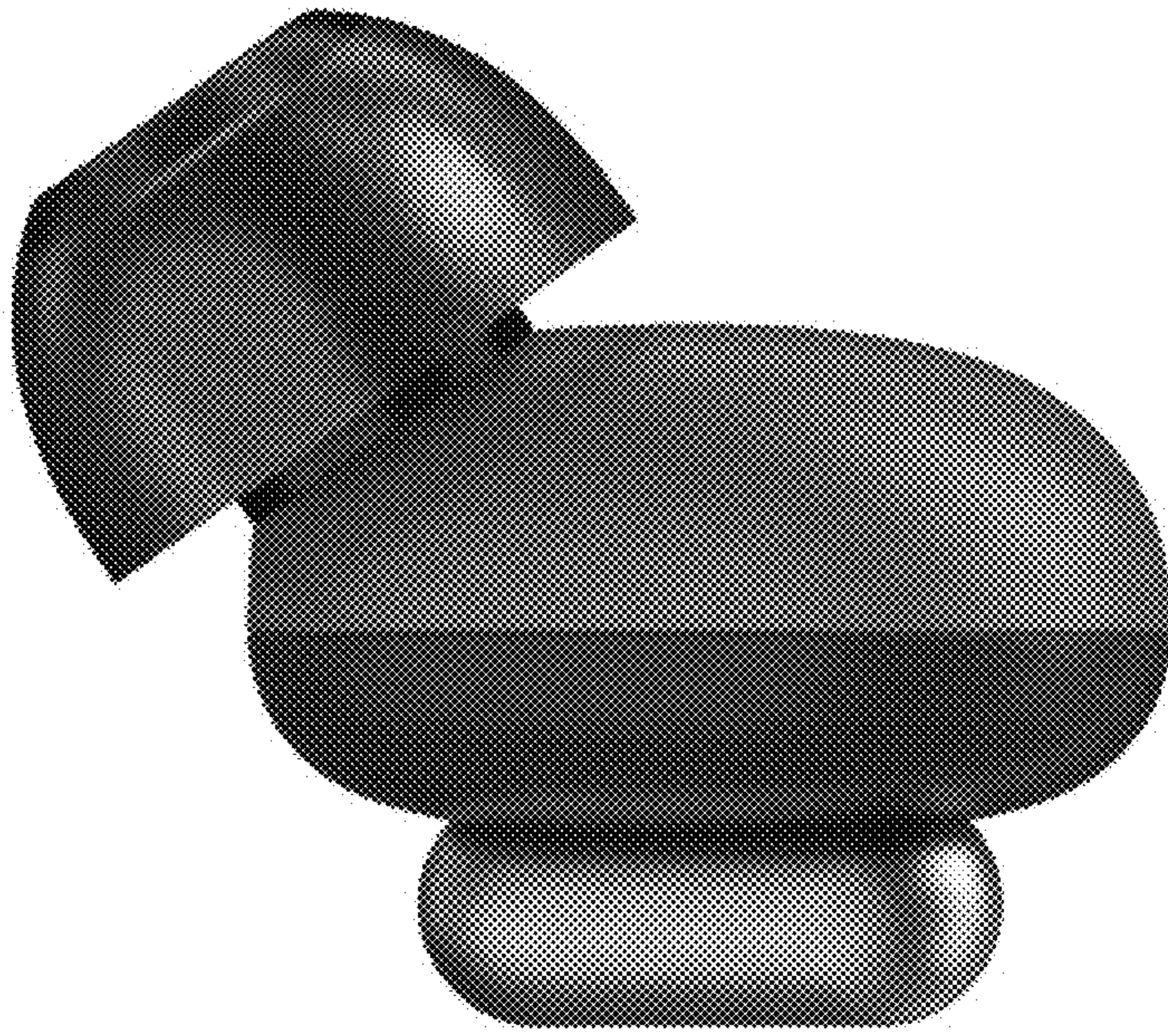
1.3



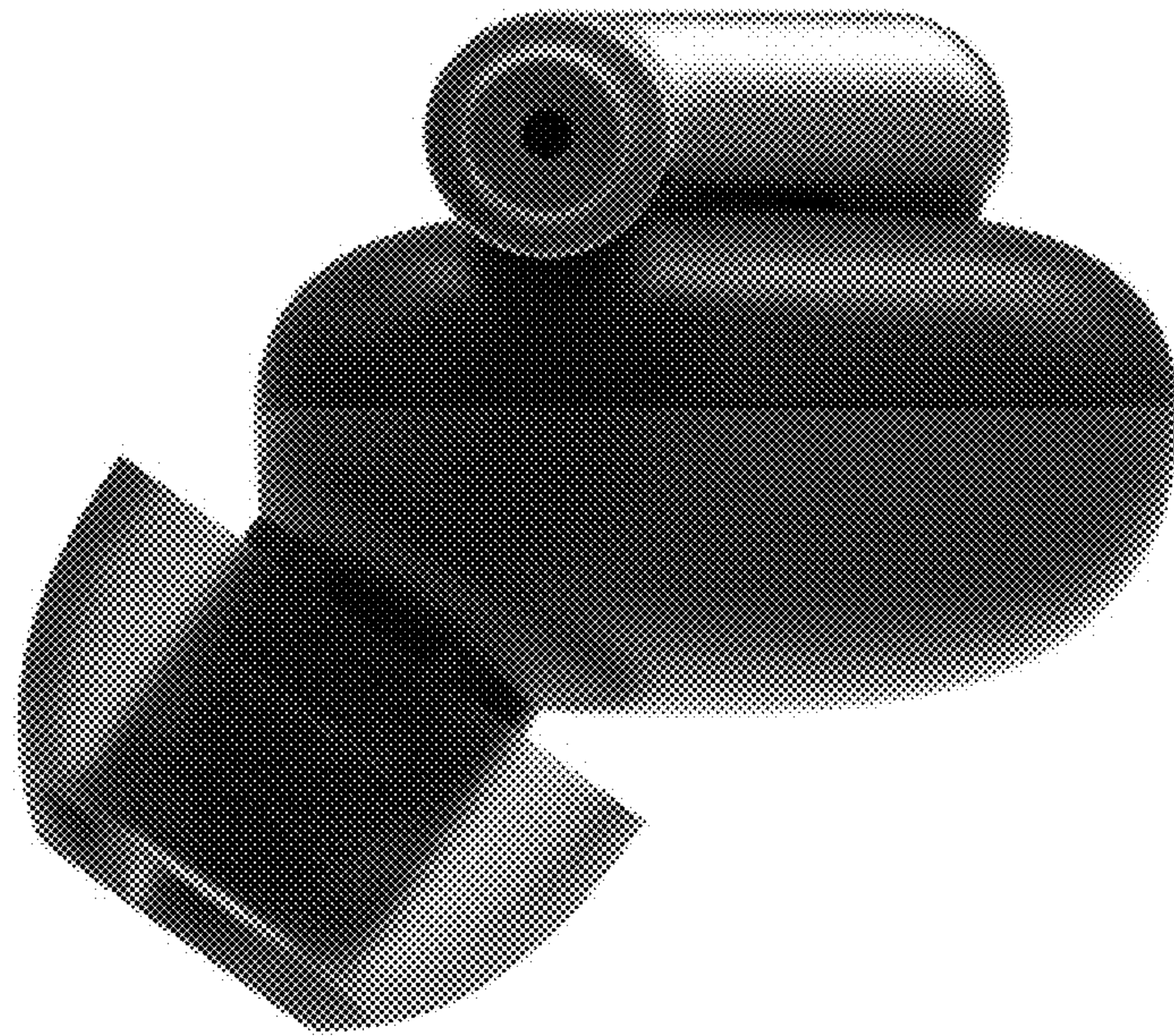
1.4



1.5



1.6



4.1



4.2



4.3



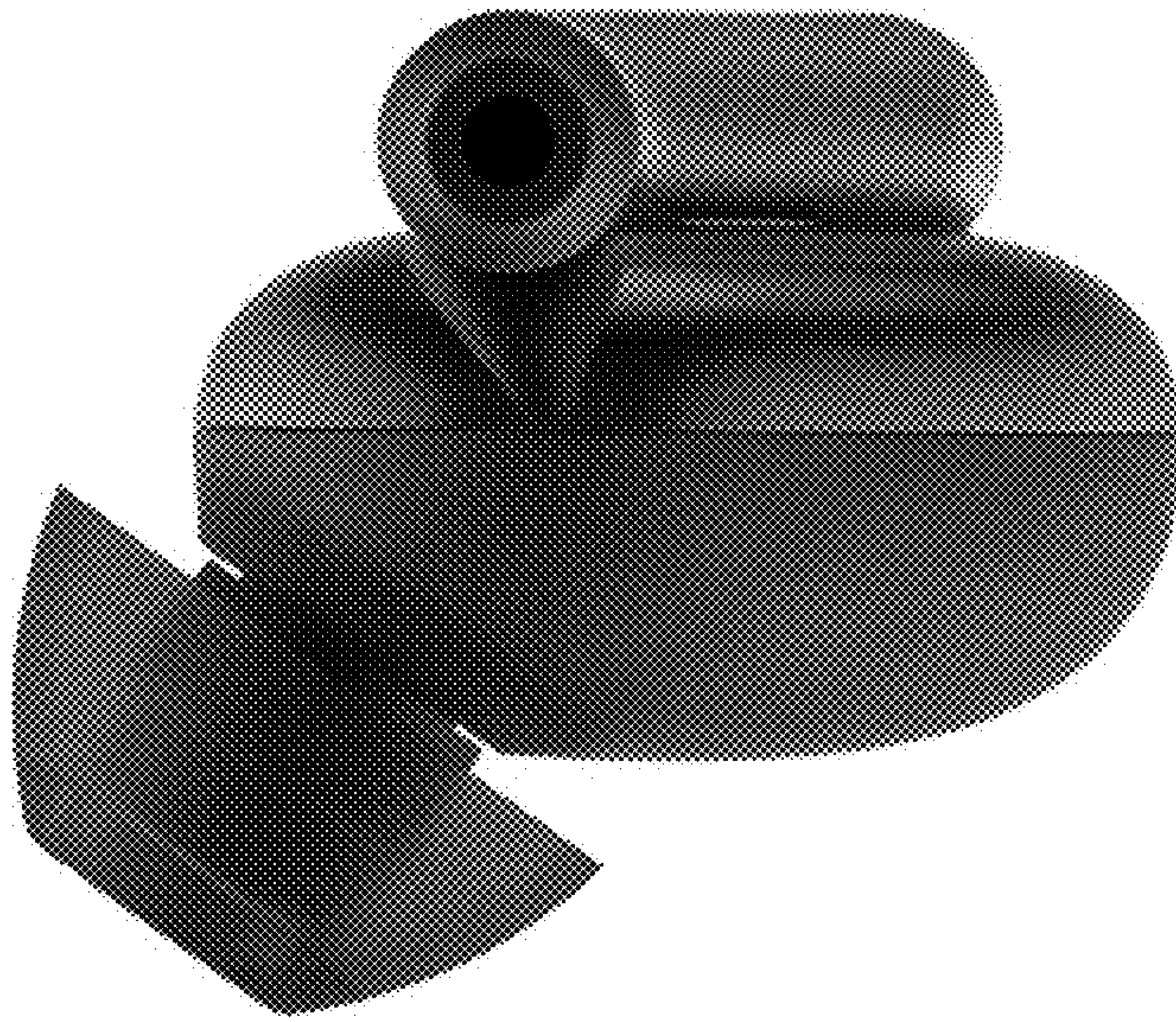
4.4



4.5



4.6



4.7

