



US00D860974S

(12) **United States Design Patent**  
**Gordon**

(10) **Patent No.:** **US D860,974 S**

(45) **Date of Patent:** **\*\* Sep. 24, 2019**

(54) **EARBUD TIP**

(71) Applicant: **Robert Gordon**, Orlando, FL (US)

(72) Inventor: **Robert Gordon**, Orlando, FL (US)

(\*\*) Term: **15 Years**

(21) Appl. No.: **29/624,831**

(22) Filed: **Nov. 3, 2017**

(51) **LOC (12) Cl.** ..... **14-01**

(52) **U.S. Cl.**  
USPC ..... **D14/223**; D14/205

(58) **Field of Classification Search**  
USPC .... D14/203.1, 204–206, 208–210, 212–217,  
D14/219, 221–225, 249, 372, 433, 138 R,  
D14/182, 188, 191–194, 172, 496;  
D29/112; D28/41; D2/875;  
D24/173–175, 106; D3/294, 273;  
D13/118, 108, 119  
CPC ..... H04R 25/02; H04R 25/00; H04R 1/10;  
H04R 1/1016; H04R 1/105; H04R  
1/1083; H04R 1/02; H04R 1/1041; H04R  
1/28; H04R 5/033; H04R 2420/07; H04R  
2430/00; H04R 2430/01

See application file for complete search history.

(56) **References Cited**

U.S. PATENT DOCUMENTS

D196,051 S \* 8/1963 Reed ..... D14/224  
D286,399 S \* 10/1986 Willy ..... D14/222  
D287,280 S \* 12/1986 Topholm ..... D24/174  
D292,702 S \* 11/1987 White ..... D14/212  
D295,173 S \* 4/1988 Oren ..... D14/168  
D375,258 S \* 11/1996 Weder ..... D9/414  
D375,556 S \* 11/1996 Narisawa ..... D24/174  
D405,528 S \* 2/1999 Shennib ..... D24/174  
D434,962 S \* 12/2000 Short ..... D8/310  
D481,709 S \* 11/2003 Solderits ..... D14/223  
D488,460 S \* 4/2004 Alwicker ..... D14/223  
D549,222 S \* 8/2007 Huang ..... A61F 11/08  
D588,988 S \* 3/2009 Nan ..... D13/119

D666,580 S \* 9/2012 Lee ..... D14/223  
D674,490 S \* 1/2013 Bailey ..... D24/174  
D674,491 S \* 1/2013 Bailey ..... D24/174  
D701,195 S \* 3/2014 Katsumata ..... D14/223  
D705,760 S \* 5/2014 Drambarean ..... H04R 25/00  
D719,139 S \* 12/2014 Henry ..... D14/223

(Continued)

FOREIGN PATENT DOCUMENTS

CN 304044527 \* 2/2017  
CN 304321798 \* 10/2017

OTHER PUBLICATIONS

Almond Audio, no date available [online], [retrieved Apr. 24, 2019], Available from Internet, URL: <<https://www.mobilefun.co.uk/almond-audio-totally-wireless-bluetooth-earbuds-black-62779>>.\*

(Continued)

*Primary Examiner* — Barbara Fox  
*Assistant Examiner* — Mary Claire Ramirez  
(74) *Attorney, Agent, or Firm* — Law Office of Michael O'Brien

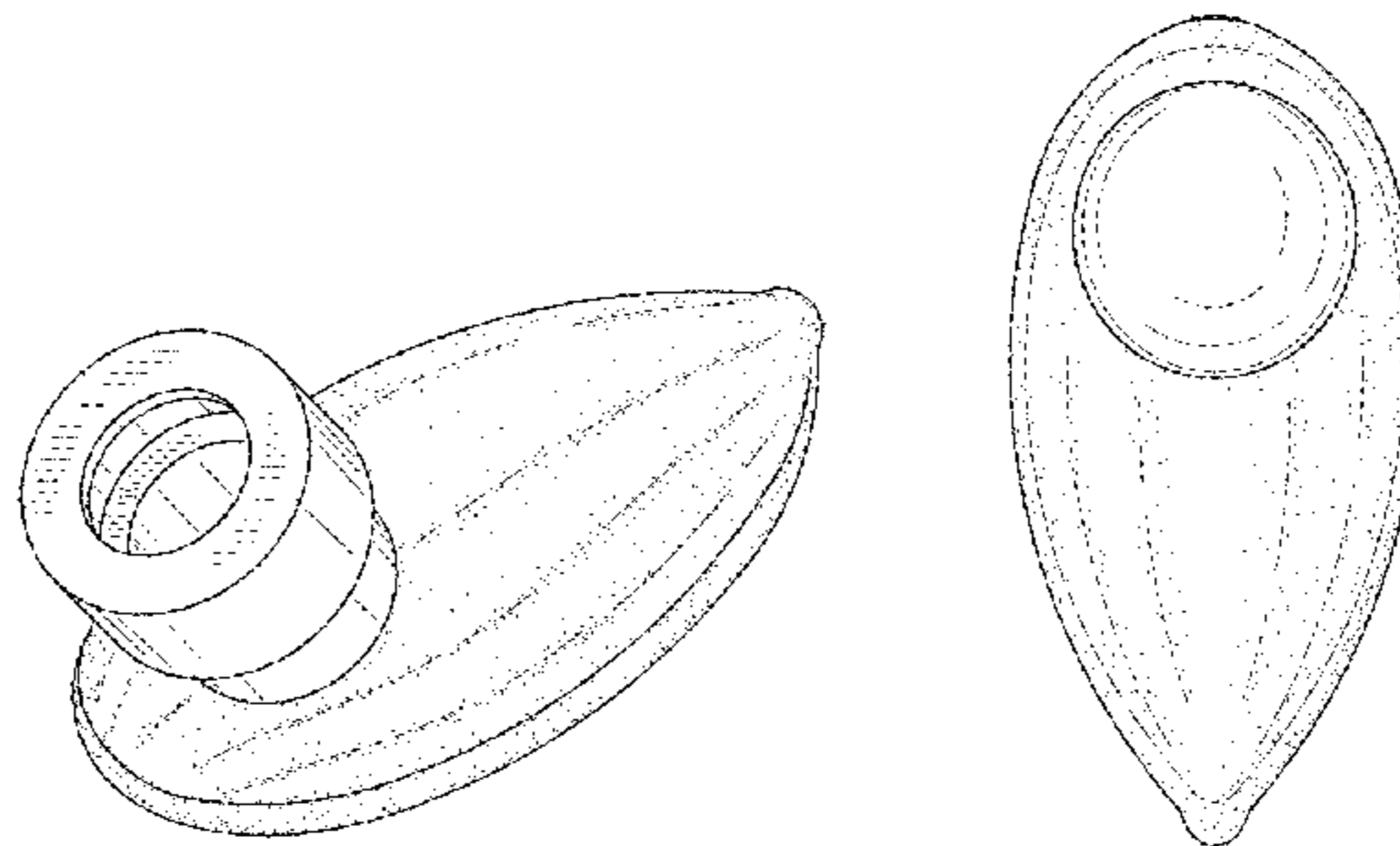
(57) **CLAIM**

An ornamental design for an earbud tip, as shown and described.

**DESCRIPTION**

FIG. 1 is a front perspective view of an earbud tip showing the new design;  
FIG. 2 is a front view thereof;  
FIG. 3 is a rear view thereof;  
FIG. 4 is a left side view thereof;  
FIG. 5 is a right side view thereof;  
FIG. 6 is a top view thereof; and,  
FIG. 7 is a bottom view thereof.

**1 Claim, 3 Drawing Sheets**



(56)

**References Cited**

U.S. PATENT DOCUMENTS

D733,103 S \* 6/2015 Jeong ..... D14/224  
 9,179,211 B2 \* 11/2015 Kirkpatrick ..... H04R 25/652  
 D745,493 S \* 12/2015 Nader ..... D14/205  
 D778,830 S \* 2/2017 Lu ..... D13/108  
 9,584,895 B2 \* 2/2017 Blanchard ..... H04R 1/1016  
 D781,269 S \* 3/2017 Choe ..... D14/223  
 D792,345 S \* 7/2017 Loewen ..... D13/108  
 D795,225 S \* 8/2017 Sumii ..... D14/223  
 D803,470 S \* 11/2017 Austin, III ..... D26/118  
 D812,042 S \* 3/2018 Xiao ..... D14/223  
 D816,052 S \* 4/2018 Pallakoff ..... D14/137  
 D820,238 S \* 6/2018 Boshernitzan ..... D14/218  
 D821,684 S \* 7/2018 Piccoli ..... D1/115  
 D823,733 S \* 7/2018 Reed ..... D12/114  
 10,045,130 B2 \* 8/2018 Masaki ..... H04L 67/306  
 D836,614 S \* 12/2018 Kirkpatrick ..... D14/223  
 D843,354 S \* 3/2019 Kumano ..... D14/223  
 2014/0226843 A1 \* 8/2014 Pan ..... H04R 1/1075  
 381/309  
 2016/0269817 A1 \* 9/2016 Basseas ..... H04R 1/1016  
 2017/0339480 A1 \* 11/2017 Lee ..... A61B 5/02438

OTHER PUBLICATIONS

Almond Earrings, Aug. 30, 2011 [online], [retrieved Apr. 24, 2019],  
 Available from Internet, URL: <<https://victoriaallison.wordpress.com/2011/08/30/sometimes-you-feel-like-a-nut/>>.\*

\* cited by examiner

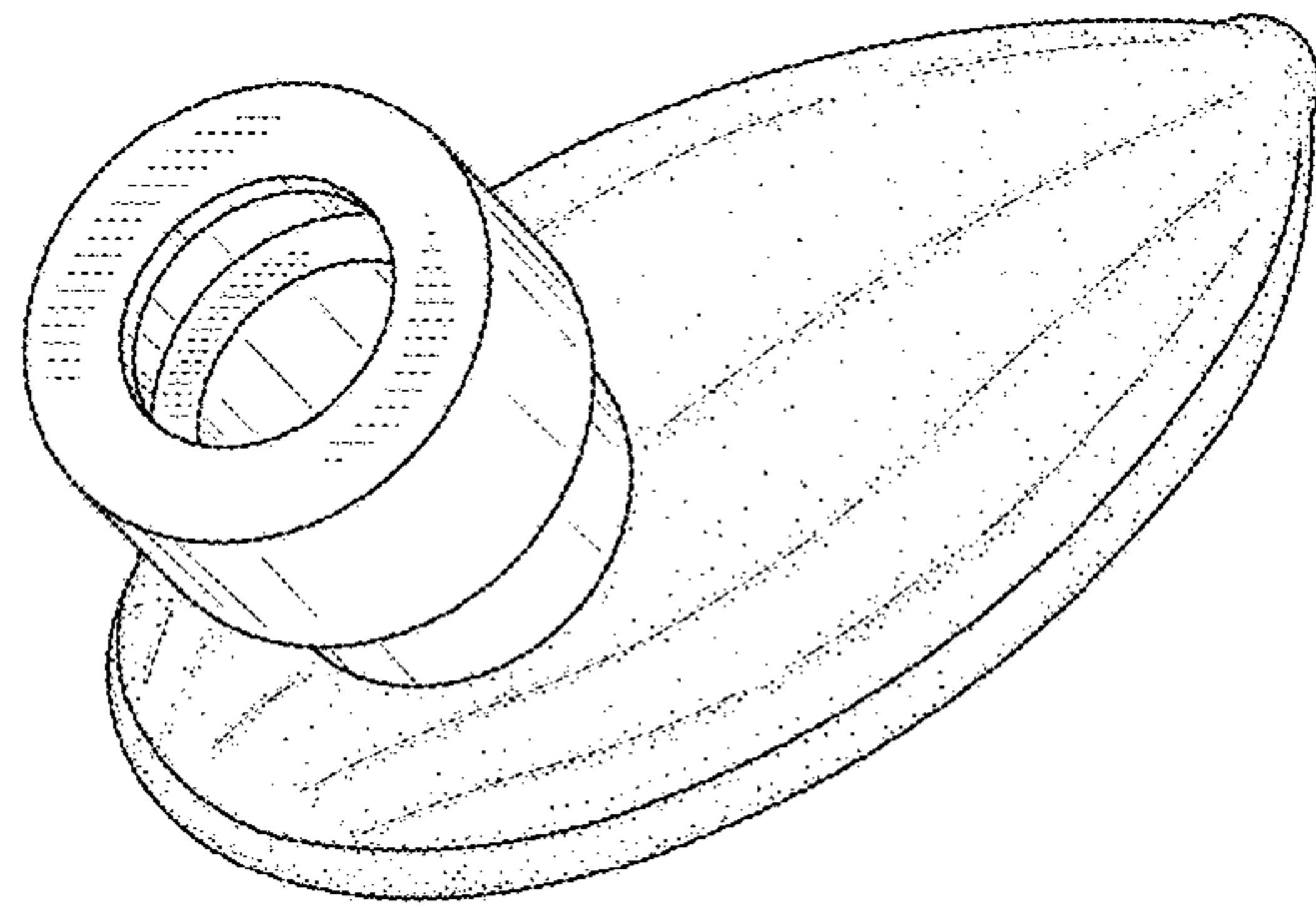


FIG. 1

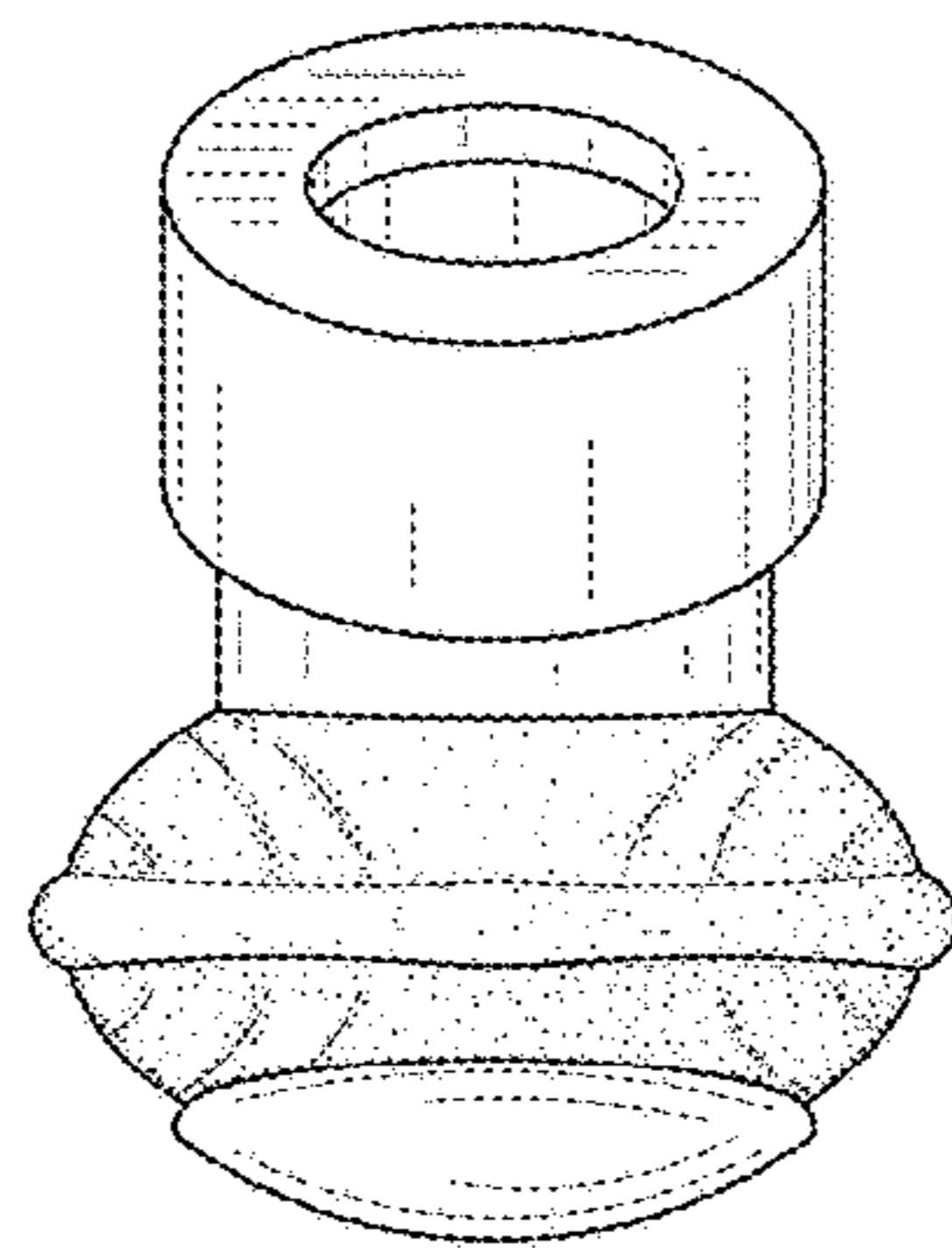


FIG. 2

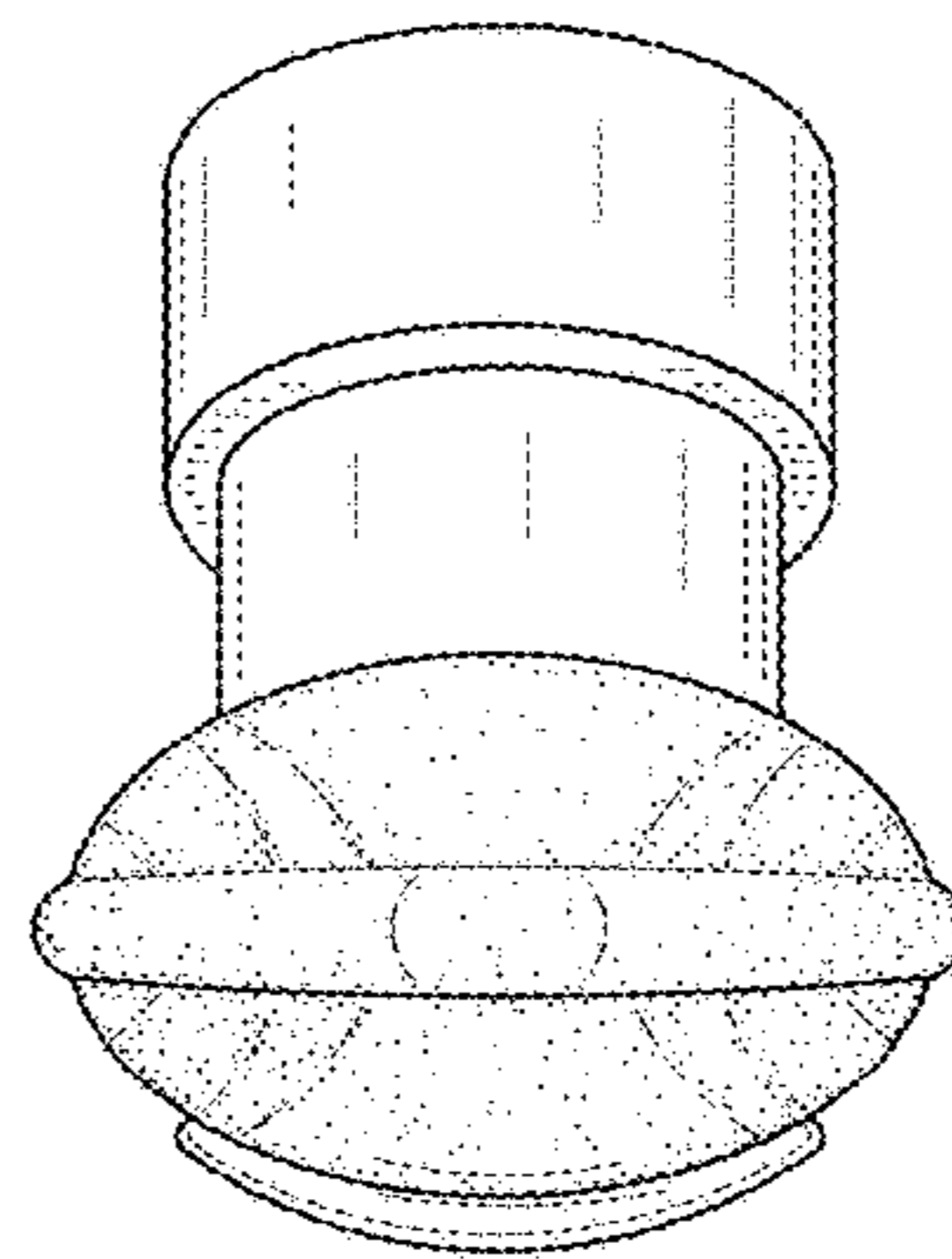


FIG. 3

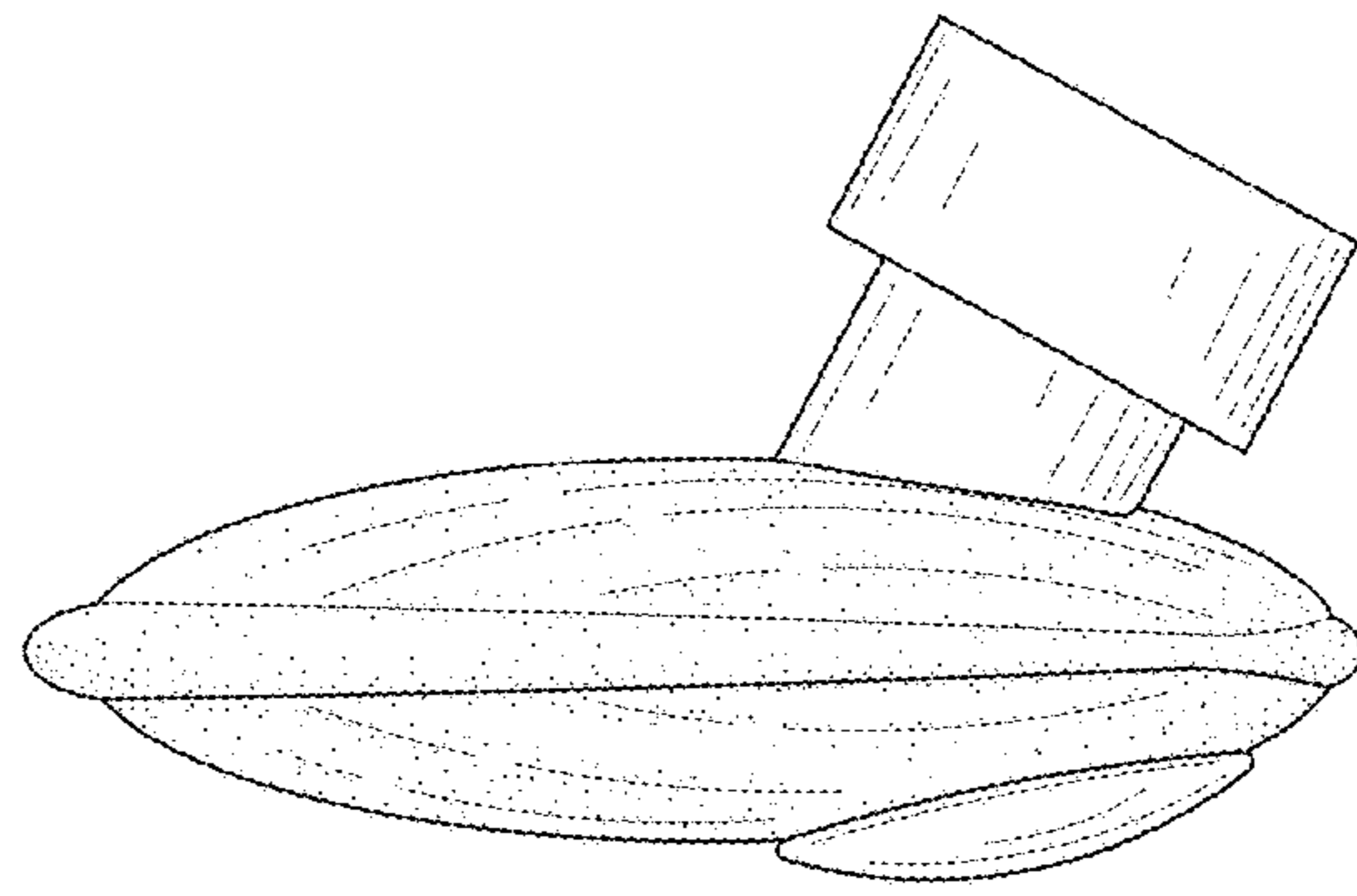


FIG. 4

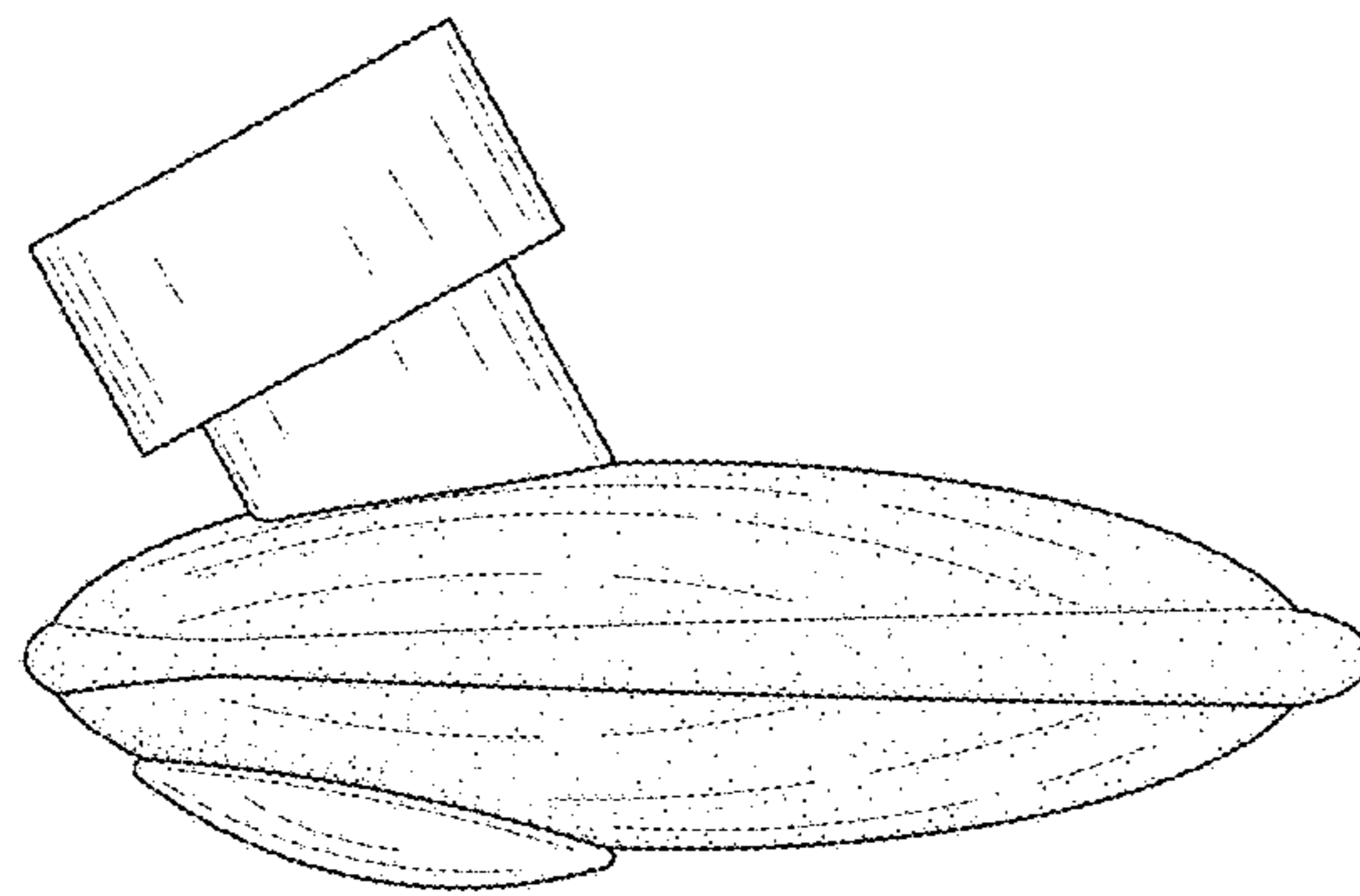


FIG. 5

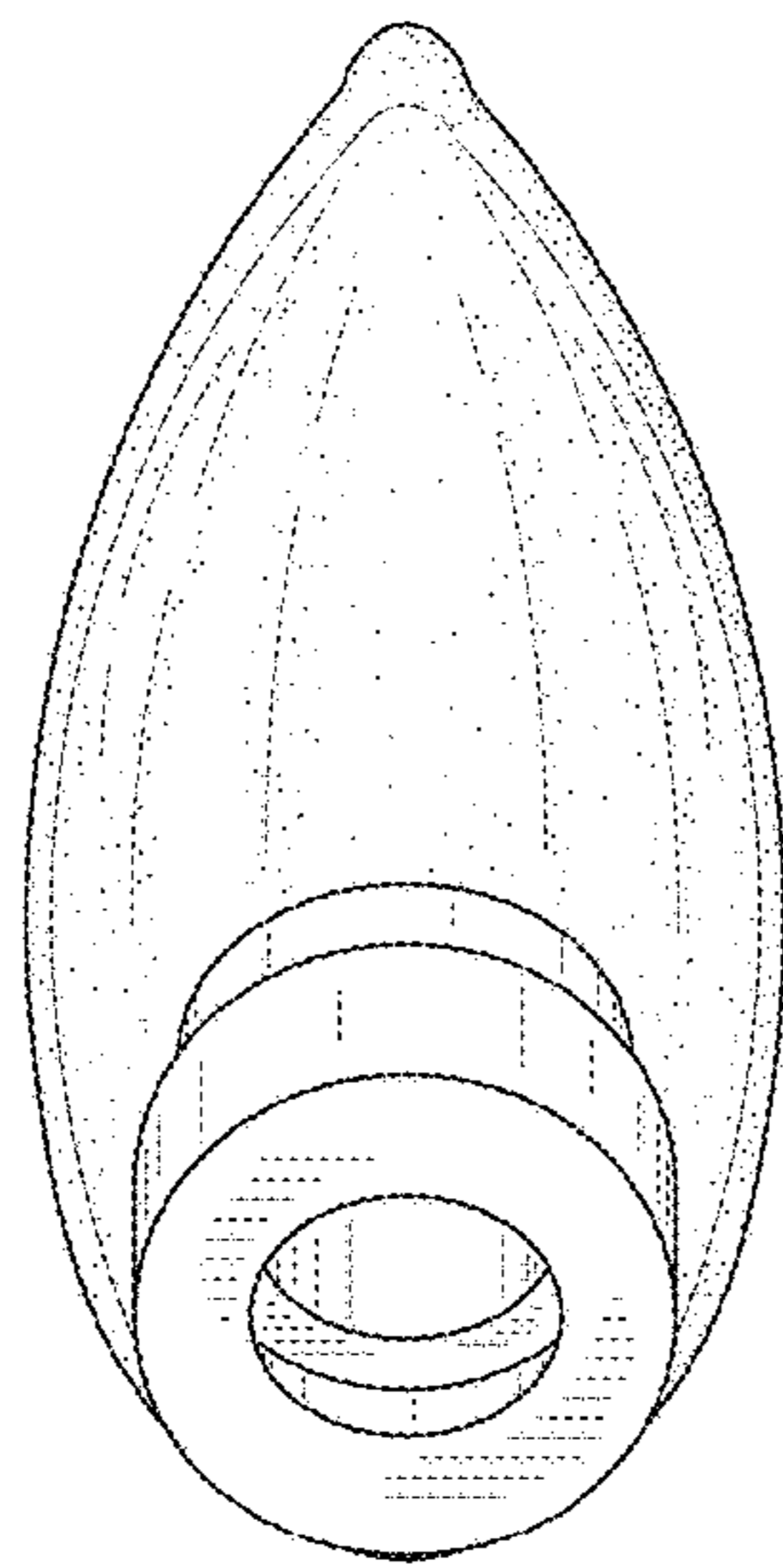


FIG. 6

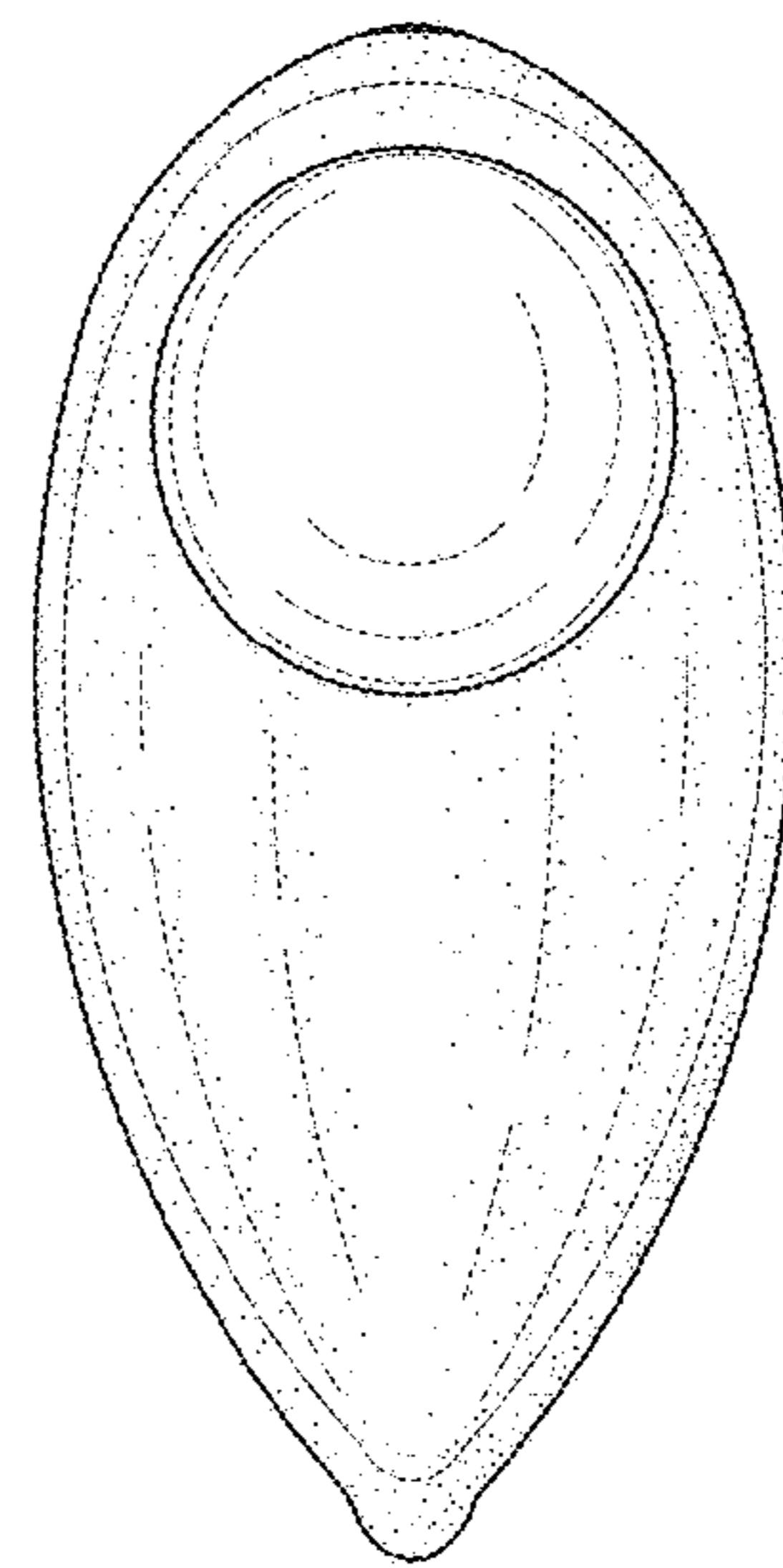


FIG. 7