



US00D860973S

(12) **United States Design Patent**
Ko et al.

(10) **Patent No.:** **US D860,973 S**

(45) **Date of Patent:** **** Sep. 24, 2019**

(54) **EARPHONE**

(71) Applicant: **Samsung Electronics Co., Ltd.**,
Suwon-si (KR)

(72) Inventors: **Areum Ko**, Seoul (KR); **Seungtae Ryu**,
Seoul (KR); **Younsik Bae**, Seoul (KR);
Bongkyu Song, Seoul (KR); **Ilwoo Lee**,
Seoul (KR)

(73) Assignee: **Samsung Electronics Co., Ltd.**,
Suwon-si (KR)

(**) Term: **15 Years**

(21) Appl. No.: **29/617,744**

(22) Filed: **Sep. 15, 2017**

(30) **Foreign Application Priority Data**

Mar. 17, 2017 (WO) DM/095371

(51) **LOC (12) Cl.** **14-01**

(52) **U.S. Cl.**
USPC **D14/223**

(58) **Field of Classification Search**
USPC D14/223, 205; D24/174; 128/866;
181/129, 130, 135; 379/430, 431;
381/380, 381, 374; 455/90.3, 575.1,
455/569.1

CPC H04R 1/10; H04R 25/00; H04R 1/1066;
H04R 1/1016; H04R 5/033; H04R 5/0335

See application file for complete search history.

(56) **References Cited**

U.S. PATENT DOCUMENTS

4,972,492 A * 11/1990 Tanaka H04R 1/1016
181/130
5,410,608 A * 4/1995 Lucey H04R 1/083
381/360
D431,553 S * 10/2000 Suzuki D14/223

D457,514 S * 5/2002 Marion D14/223
D464,638 S * 10/2002 Huang D14/205
D474,171 S * 5/2003 Suzuki D14/206
D487,077 S * 2/2004 Obata D14/223
D519,108 S * 4/2006 Yang D14/223
D529,901 S * 10/2006 Ohta D14/223
D567,217 S * 4/2008 Kamo D14/205
D587,685 S * 3/2009 Densho D14/206
D598,894 S * 8/2009 Masuda D14/205
D601,548 S * 10/2009 Morisawa D14/223
D607,880 S * 1/2010 Chung D14/223
D621,817 S * 8/2010 Brickstad D14/223
D623,171 S * 9/2010 Chen D14/223

(Continued)

FOREIGN PATENT DOCUMENTS

JP D1422234 9/2011
KR 30-2015-0012132 11/2015

Primary Examiner — Paula Allen Greene

(74) *Attorney, Agent, or Firm* — NSIP Law

(57) **CLAIM**

We claim the ornamental design for an earphone, as shown and described.

DESCRIPTION

FIG. 1 is a front perspective view of an earphone showing our new design;

FIG. 2 is a front elevational view thereof;

FIG. 3 is a rear elevational view thereof;

FIG. 4 is a left-side elevational view thereof;

FIG. 5 is a right-side elevational view thereof;

FIG. 6 is a top plan view thereof;

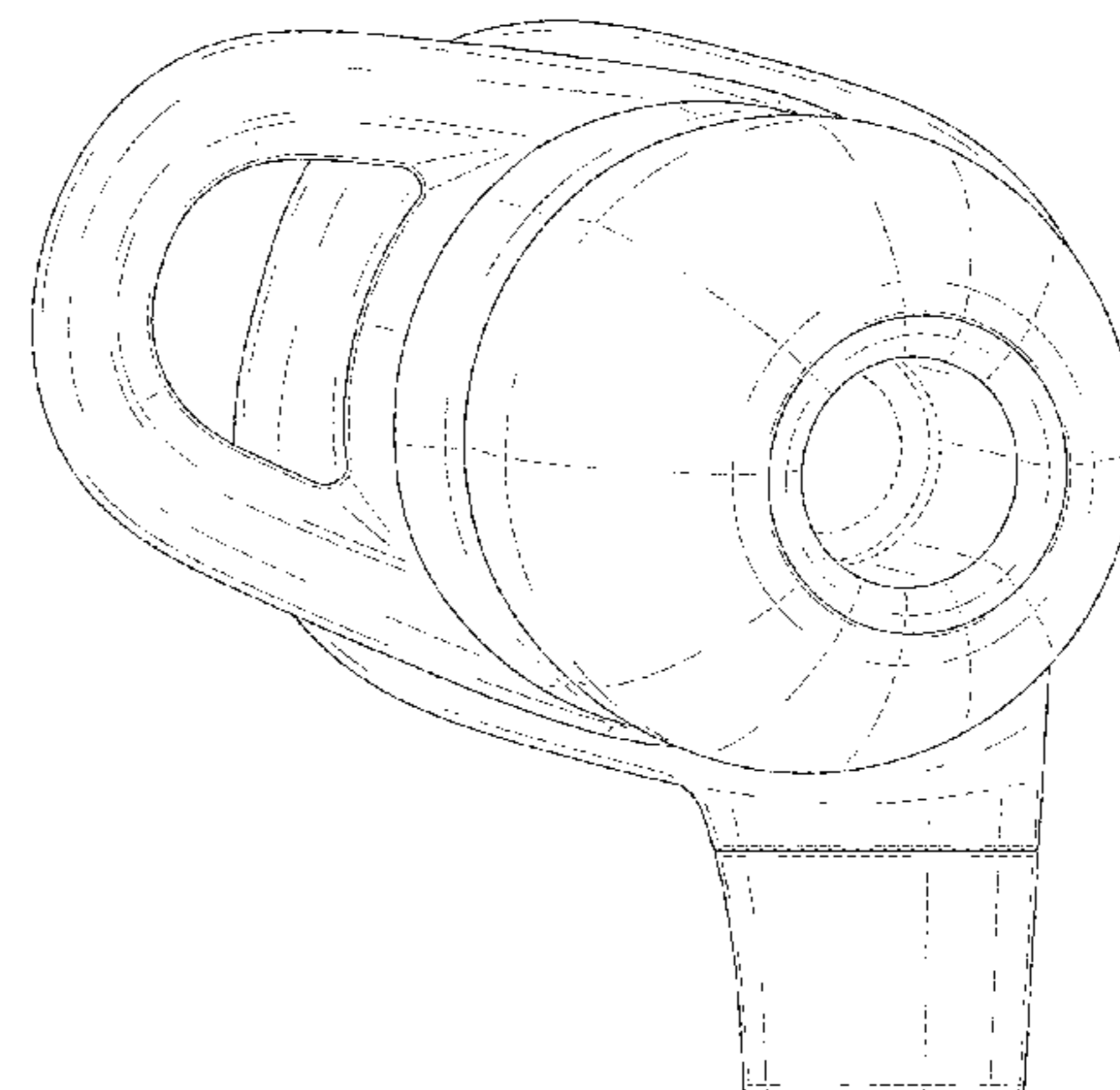
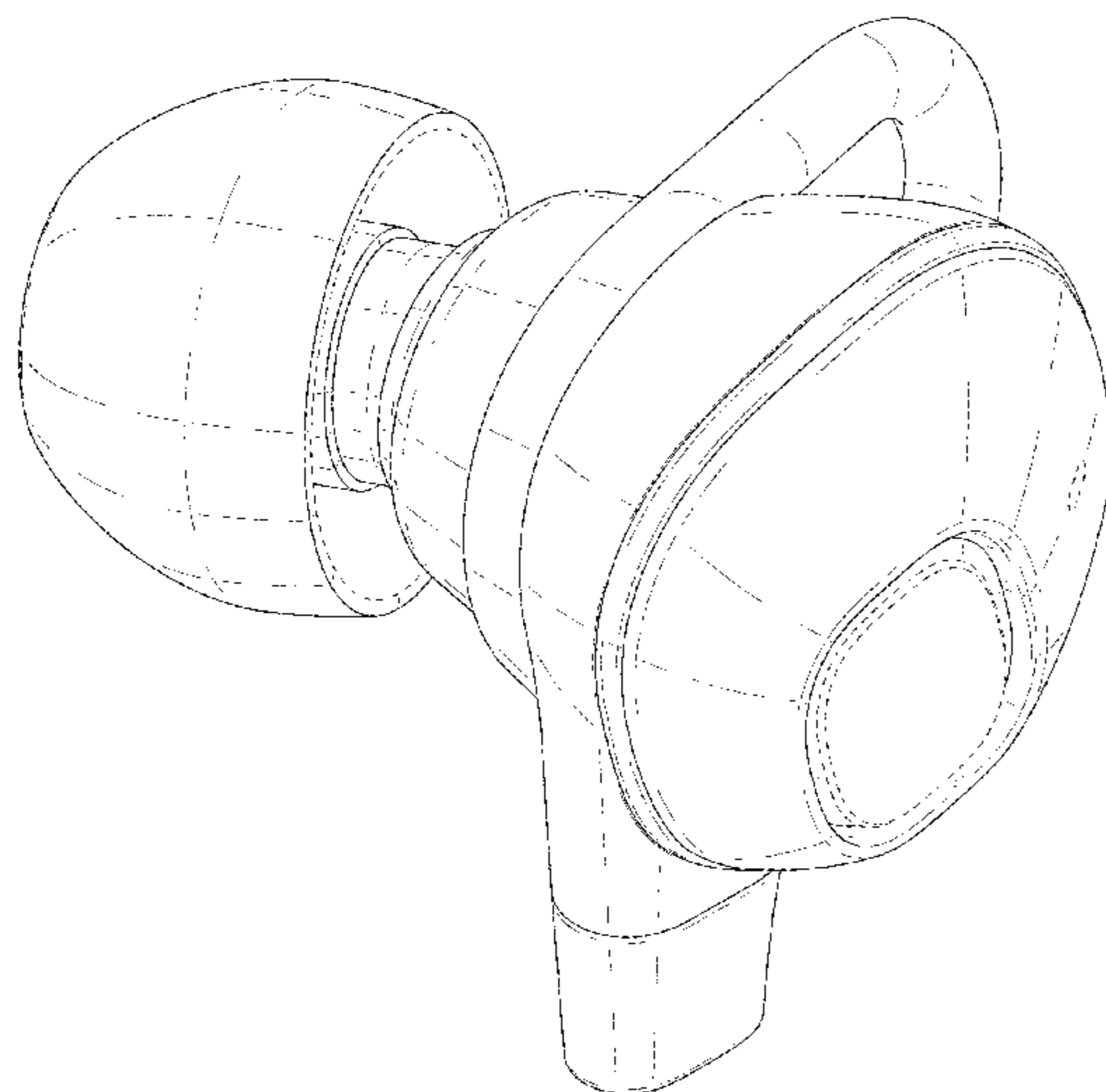
FIG. 7 is a bottom plan view thereof;

FIG. 8 is a rear perspective view thereof; and,

FIG. 9 is a front view thereof in which a symmetric earphone and cable are provided in broken lines to illustrate an example environment.

The broken lines in the figures depict environmental subject matter and form no part of the claimed design.

1 Claim, 9 Drawing Sheets



(56)

References Cited

U.S. PATENT DOCUMENTS

D628,193	S	*	11/2010	Zheng	D14/223
D634,736	S	*	3/2011	Wikel	D14/223
D635,558	S	*	4/2011	Zheng	D14/206
D641,008	S	*	7/2011	Lee	D14/223
D643,417	S	*	8/2011	Lee	D14/223
D652,817	S	*	1/2012	Lee	D14/205
D653,235	S	*	1/2012	McManigal	D14/205
D666,996	S	*	9/2012	Hardi	D14/223
D669,450	S	*	10/2012	Katsumata	D14/205
D673,531	S	*	1/2013	Lee	D14/223
D681,602	S	*	5/2013	Koch	D14/205
D682,808	S	*	5/2013	Fletcher	D14/205
D683,332	S	*	5/2013	Lee	D14/223
D685,770	S	*	7/2013	Lee	D14/223
D686,597	S	*	7/2013	Lee	D14/223
D705,757	S		5/2014	Yashiro		
D714,260	S	*	9/2014	Han	D14/223
D729,775	S	*	5/2015	Seo	D14/205
D762,196	S	*	7/2016	Hsieh	D14/223
D762,616	S	*	8/2016	Hsieh	D14/205
D775,108	S	*	12/2016	Hsieh	D14/223
D788,079	S	*	5/2017	Son	D14/223
D813,849	S	*	3/2018	Andreen	D14/223
D815,069	S	*	4/2018	Xiong	D14/223
D817,931	S	*	5/2018	Yao	D14/223
D828,823	S	*	9/2018	Lin	D14/223
D831,619	S	*	10/2018	Matoba	D14/223
D842,844	S	*	3/2019	Li	D14/223
2014/0205125	A1	*	7/2014	Triato	H04R 1/1066 381/330
2016/0205458	A1	*	7/2016	Huang	H04R 1/1016 381/380

* cited by examiner

FIG. 1

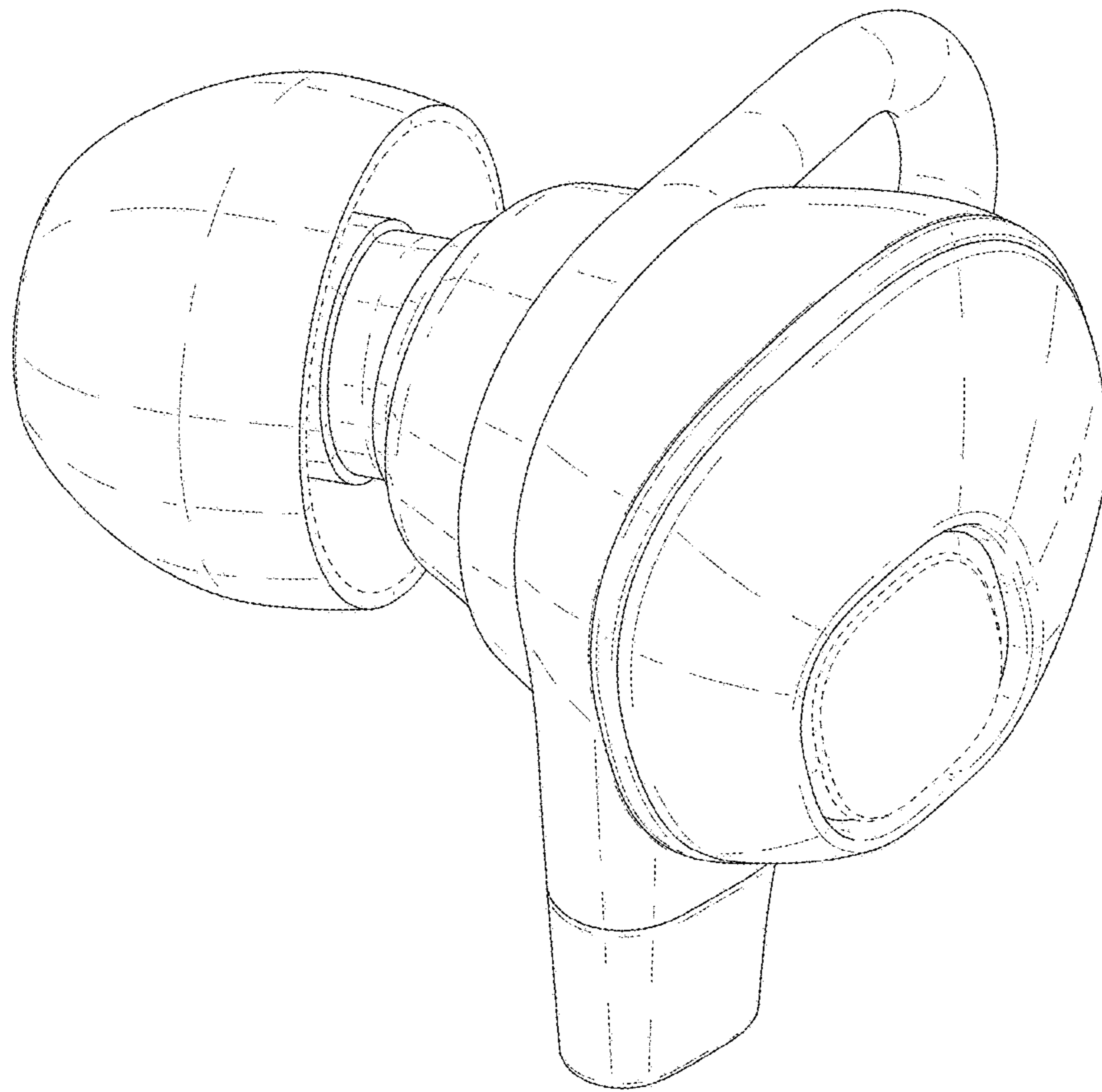


FIG. 2

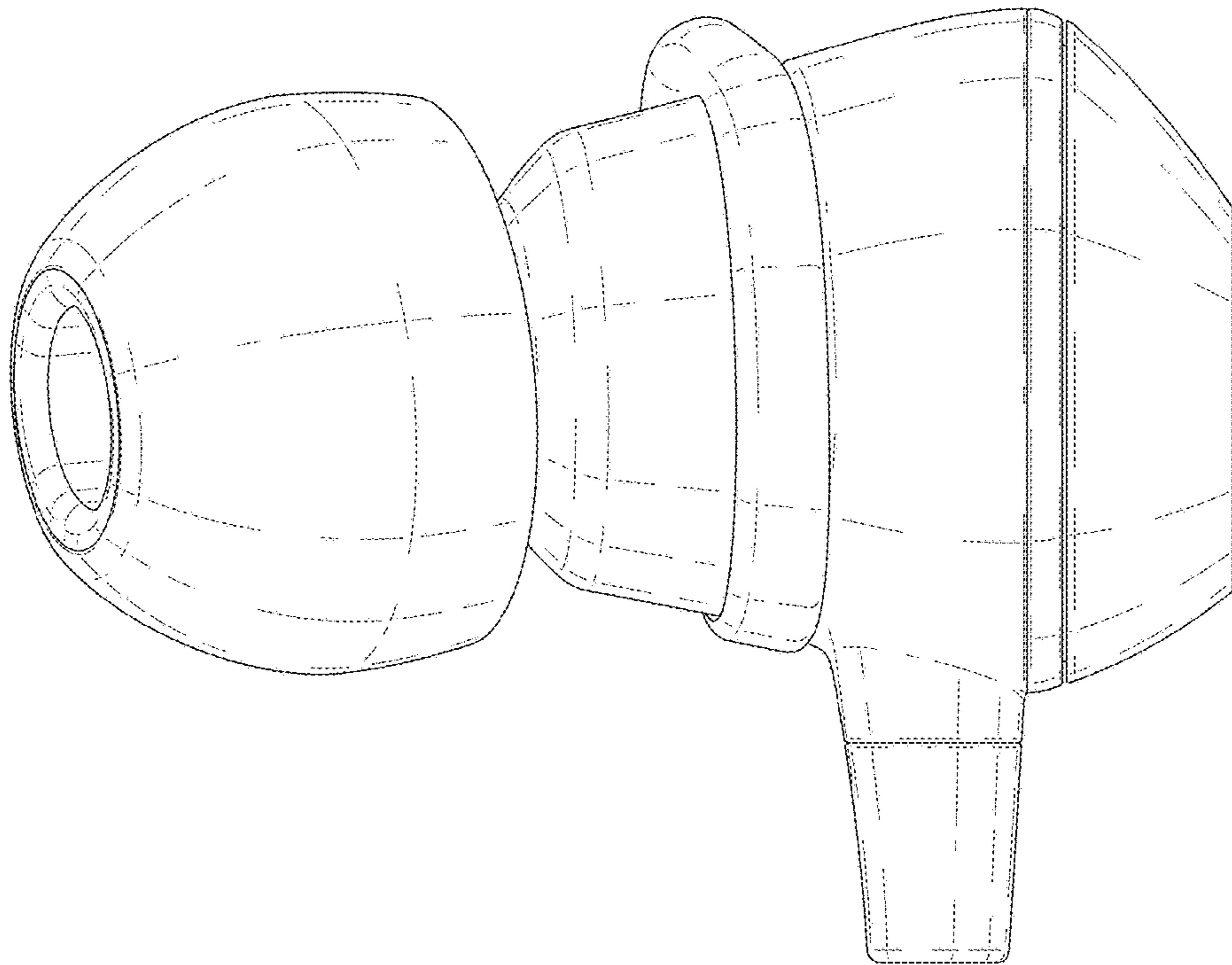


FIG. 3

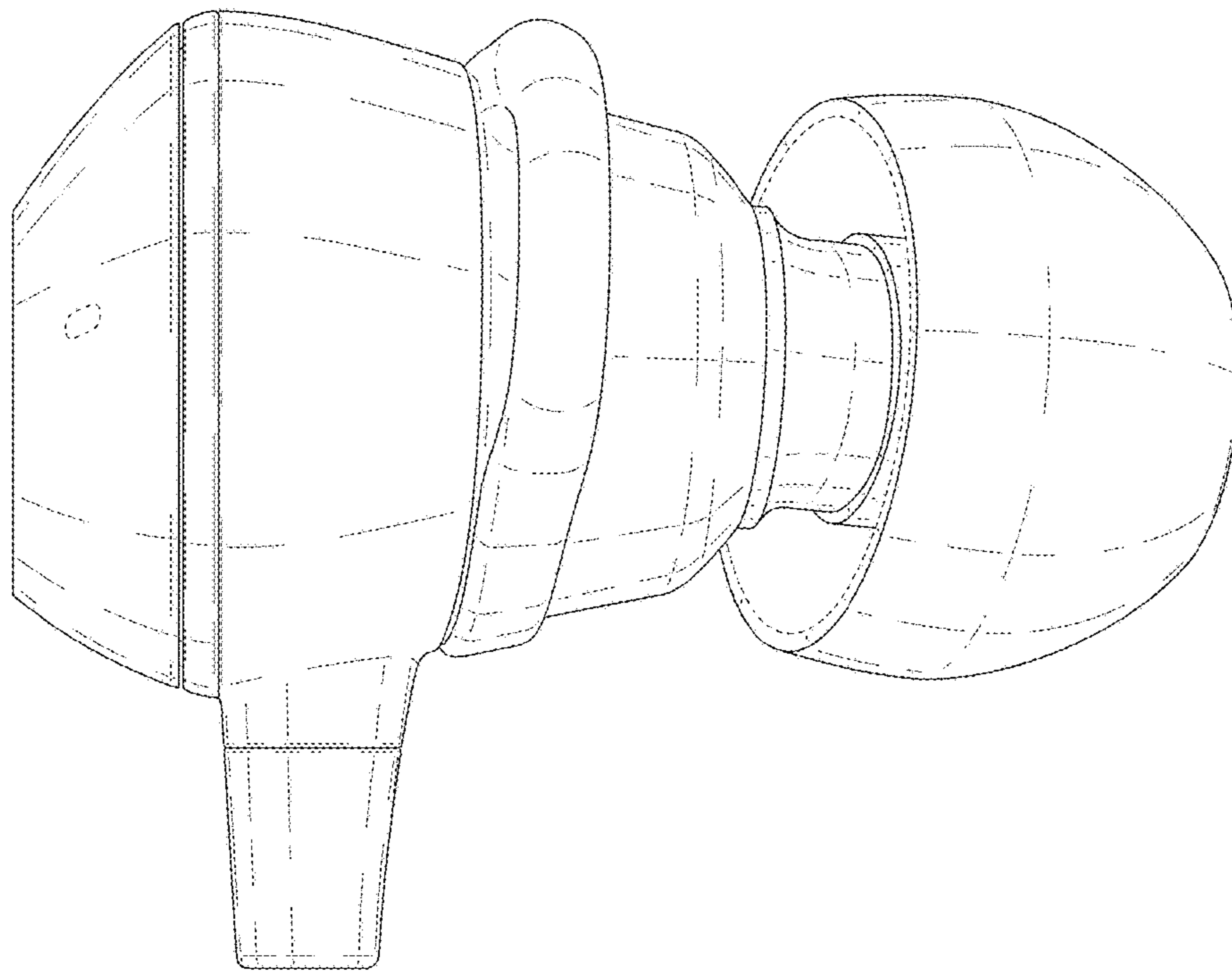


FIG. 4

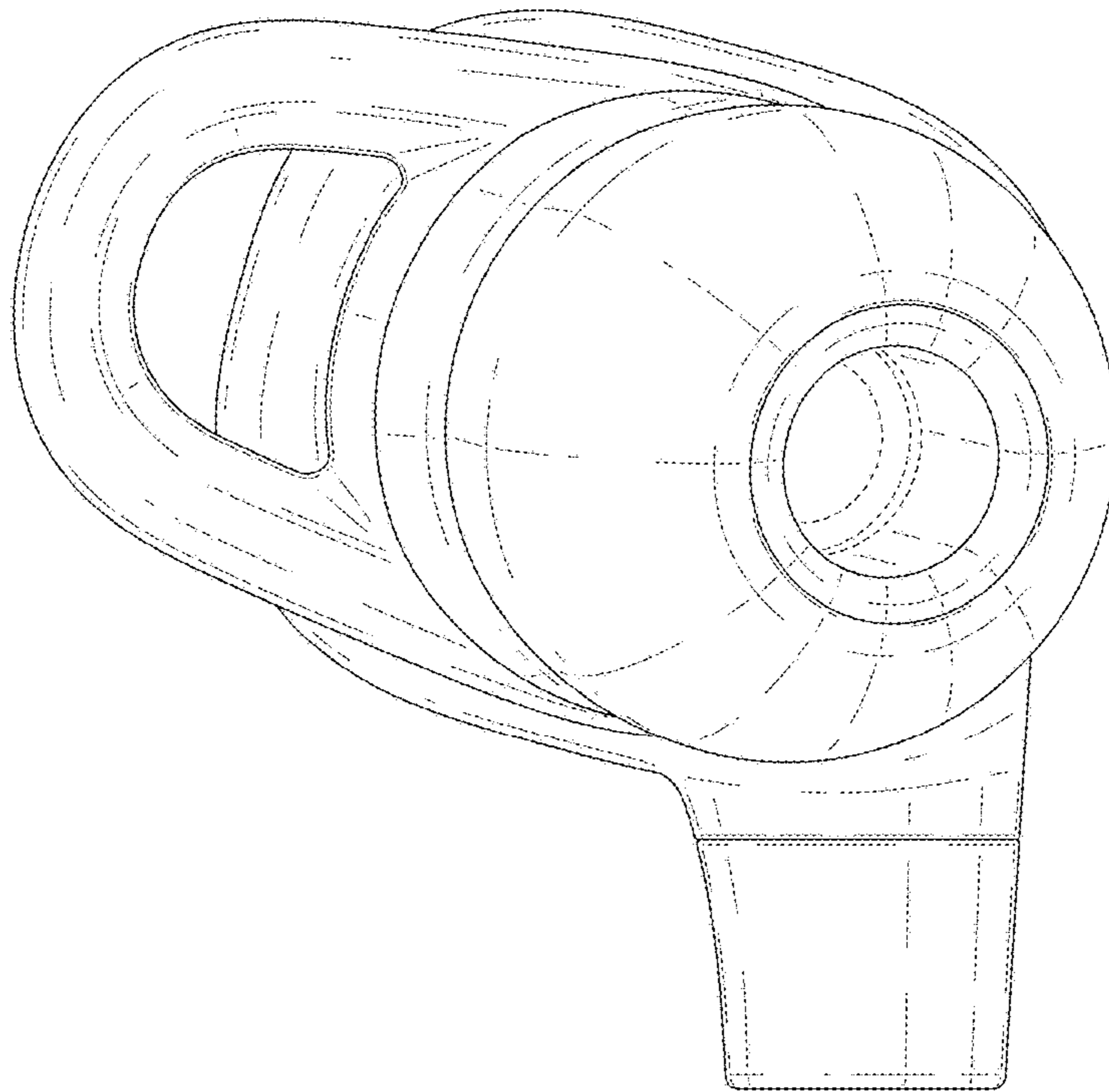


FIG. 5

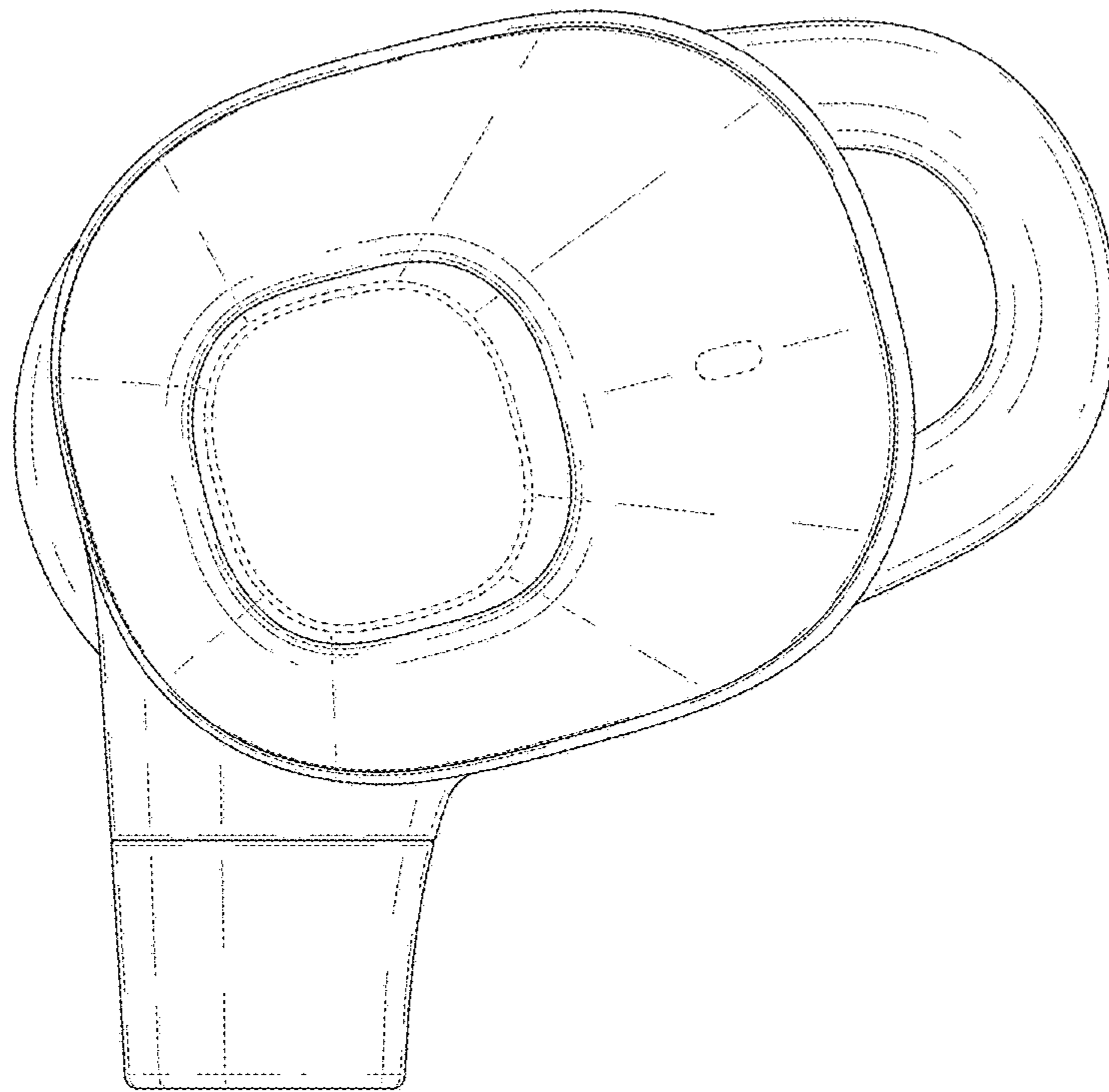


FIG. 6

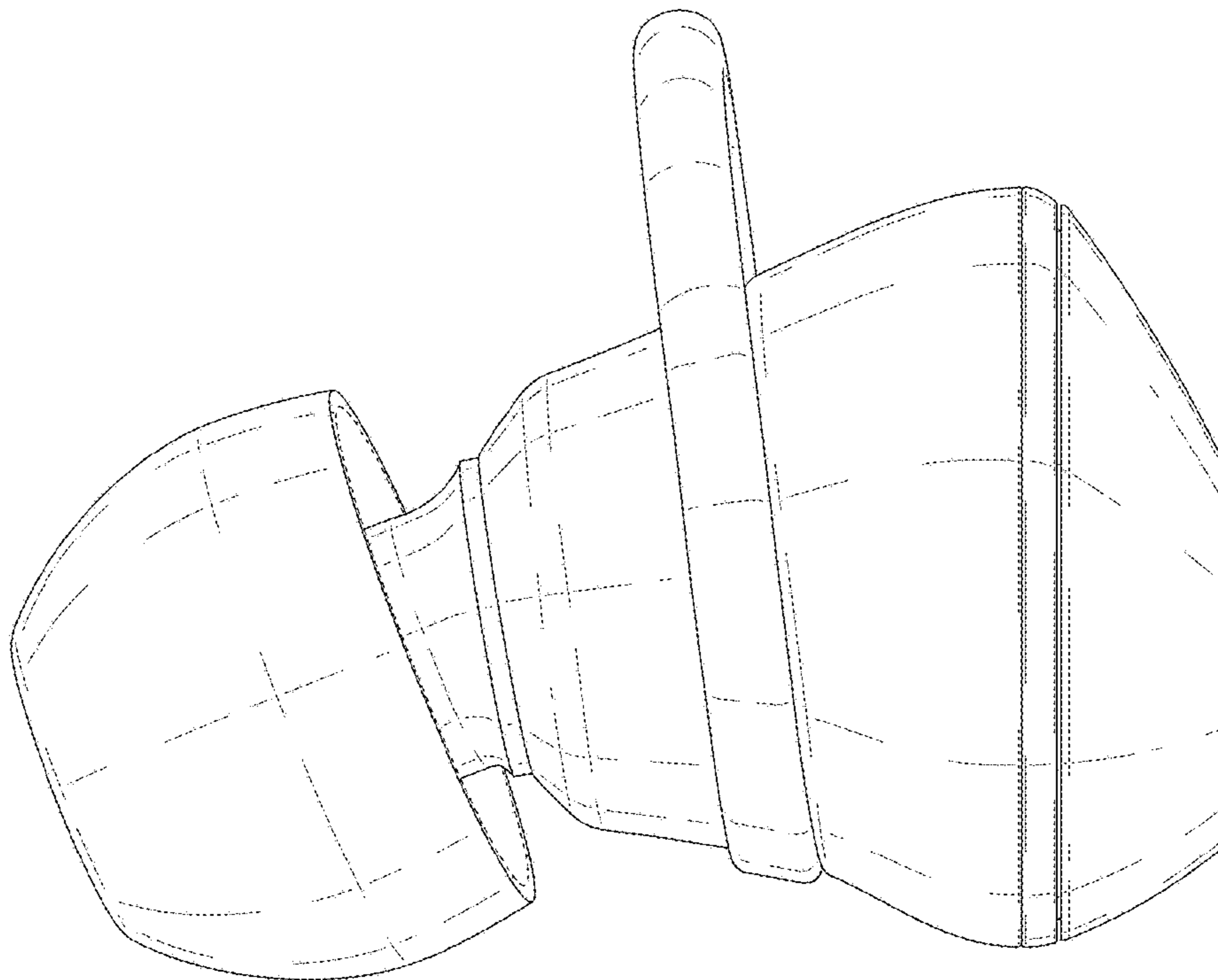


FIG. 7

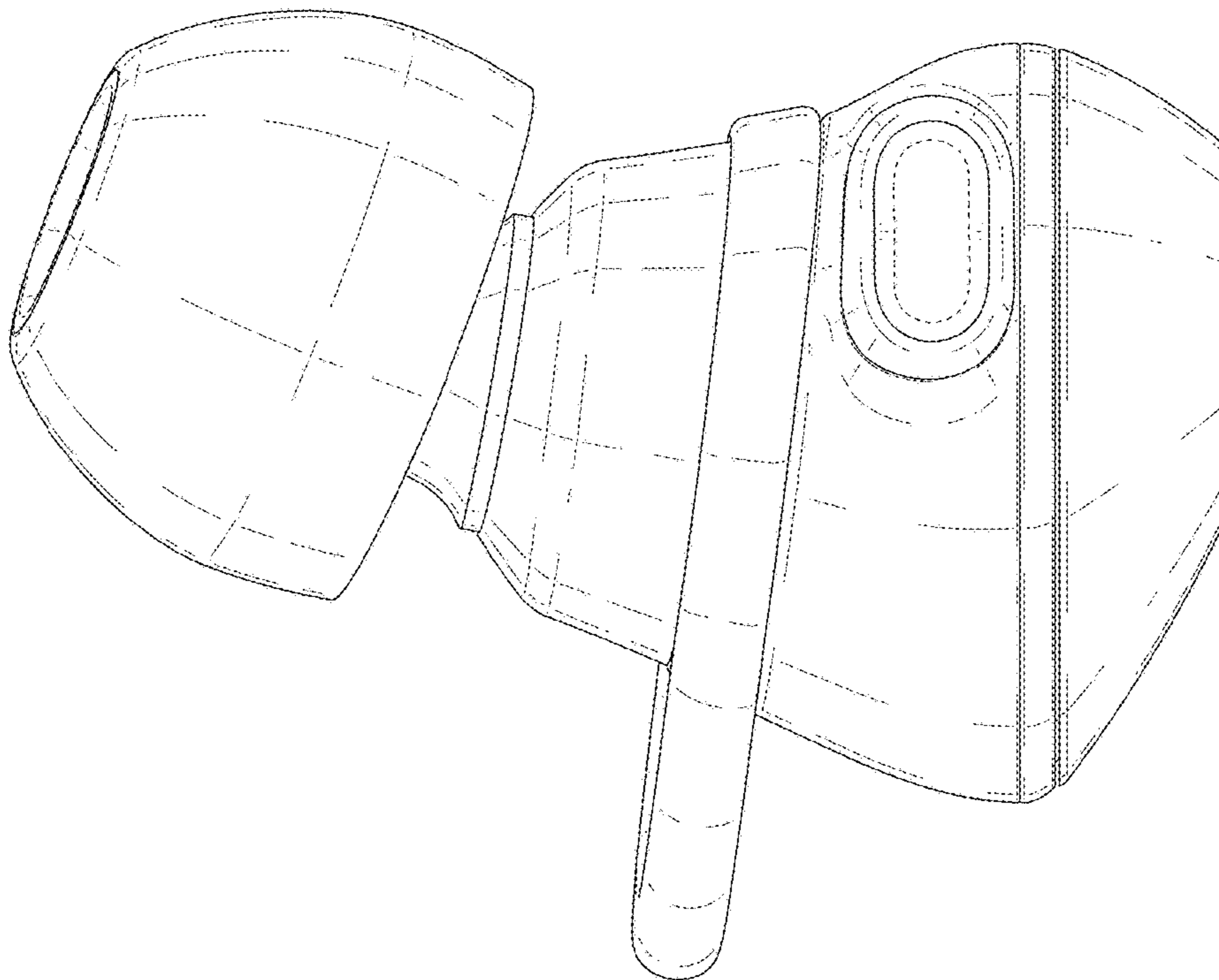


FIG. 8

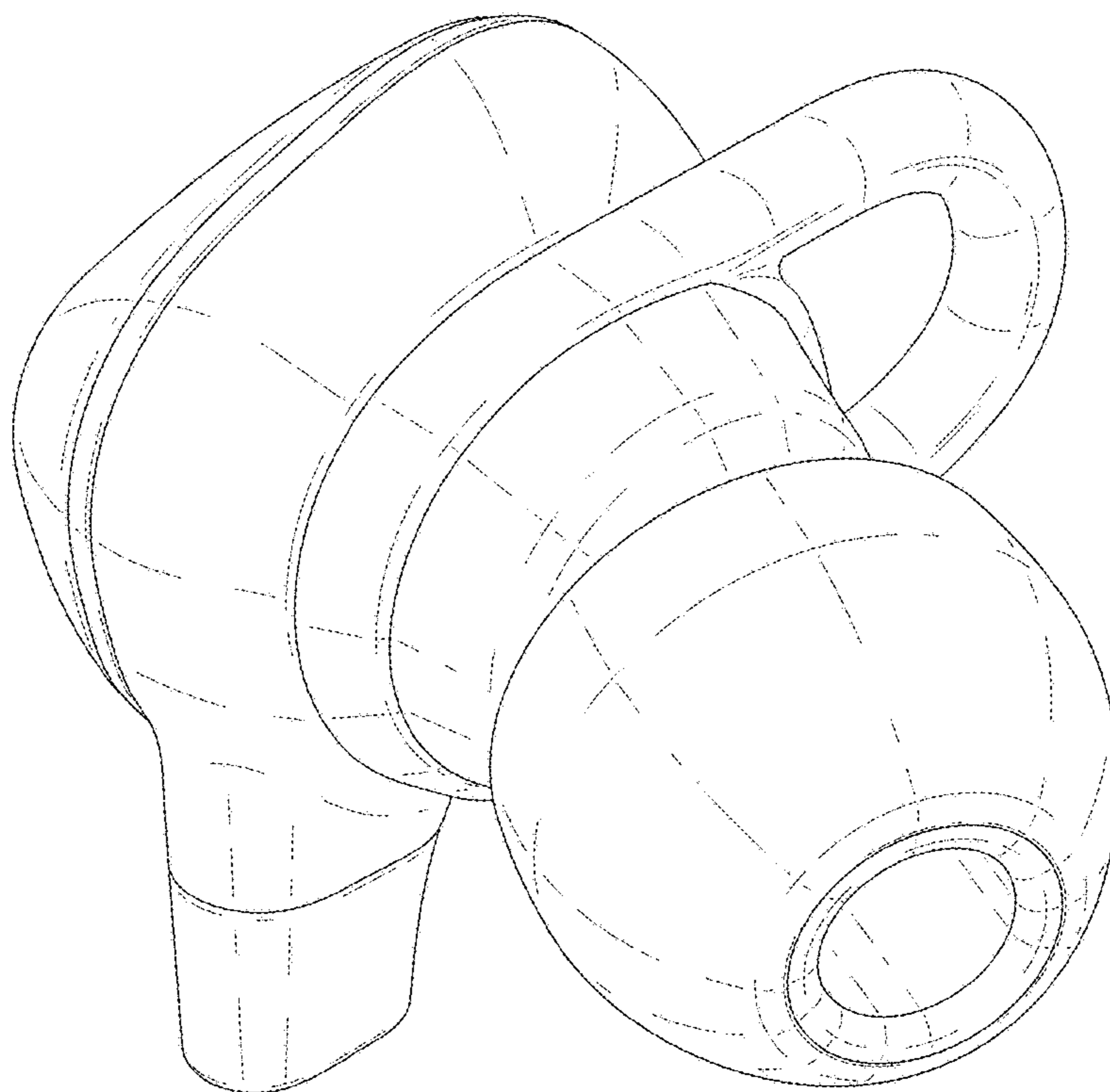


FIG. 9

