

US00D860969S

(12) **United States Design Patent** (10) **Patent No.:** **US D860,969 S**
Brunner et al. (45) **Date of Patent:** **** Sep. 24, 2019**

(54) **HEADSET**

(56)

References Cited

(71) Applicant: **Apple Inc.**, Cupertino, CA (US)

U.S. PATENT DOCUMENTS

(72) Inventors: **Robert D. Brunner**, San Francisco, CA (US); **Christopher Kuh**, San Francisco, CA (US)

1,066,511 A	7/1913	Markoff	
1,367,746 A	2/1921	Kent	
2,149,341 A	3/1939	Harrison	
3,104,398 A	9/1963	Palmaer	
D203,677 S	2/1966	Spilman et al.	
D229,833 S	1/1974	Becker	
D244,300 S	5/1977	Besasie	
4,173,715 A	11/1979	Gosman	
D254,183 S	2/1980	Doodson	
D254,876 S	5/1980	Reitenga et al.	
D255,352 S	6/1980	Besasie	
4,385,209 A *	5/1983	Greason	H04R 19/016 307/400
4,404,445 A	9/1983	Baran et al.	
4,609,786 A	9/1986	Omoto et al.	
D286,874 S	11/1986	Bertagna et al.	
4,634,816 A	1/1987	O'Malley et al.	
4,875,233 A	10/1989	Derhaag et al.	
D313,092 S	12/1990	Nilsson	
5,018,599 A	5/1991	Dohi et al.	
5,035,005 A	7/1991	Hung	
D328,074 S *	7/1992	Yamazaki	D14/205
D328,461 S *	8/1992	Daido	D14/205
D338,010 S	8/1993	Yamatogi	
D351,172 S	10/1994	Nakamura et al.	
D358,389 S	5/1995	Isono	
D374,658 S	10/1996	Bever et al.	
D375,825 S	11/1996	Whidden	
5,812,680 A	9/1998	Glendon	
D403,128 S	12/1998	Scanlon et al.	
D420,356 S	2/2000	Suzuki	
D422,592 S	4/2000	Deguchi	
6,081,604 A	6/2000	Hikichi et al.	
D430,140 S	8/2000	Roman	
D435,249 S	12/2000	Yasutomi	
6,163,615 A	12/2000	Callahan	
6,195,839 B1	3/2001	Patterson et al.	
D457,512 S	5/2002	Yoneda	
6,449,806 B1	9/2002	Engelhard et al.	
D468,723 S	1/2003	Pham et al.	
D484,485 S	12/2003	Matsuoka	
6,654,966 B2 *	12/2003	Rolla	H04R 1/1066 2/209
D484,868 S	1/2004	Suzuki	
6,678,897 B2	1/2004	Lindgren	

(73) Assignee: **Apple Inc.**, Cupertino, CA (US)

(**) Term: **15 Years**

(21) Appl. No.: **29/642,633**

(22) Filed: **Mar. 30, 2018**

Related U.S. Application Data

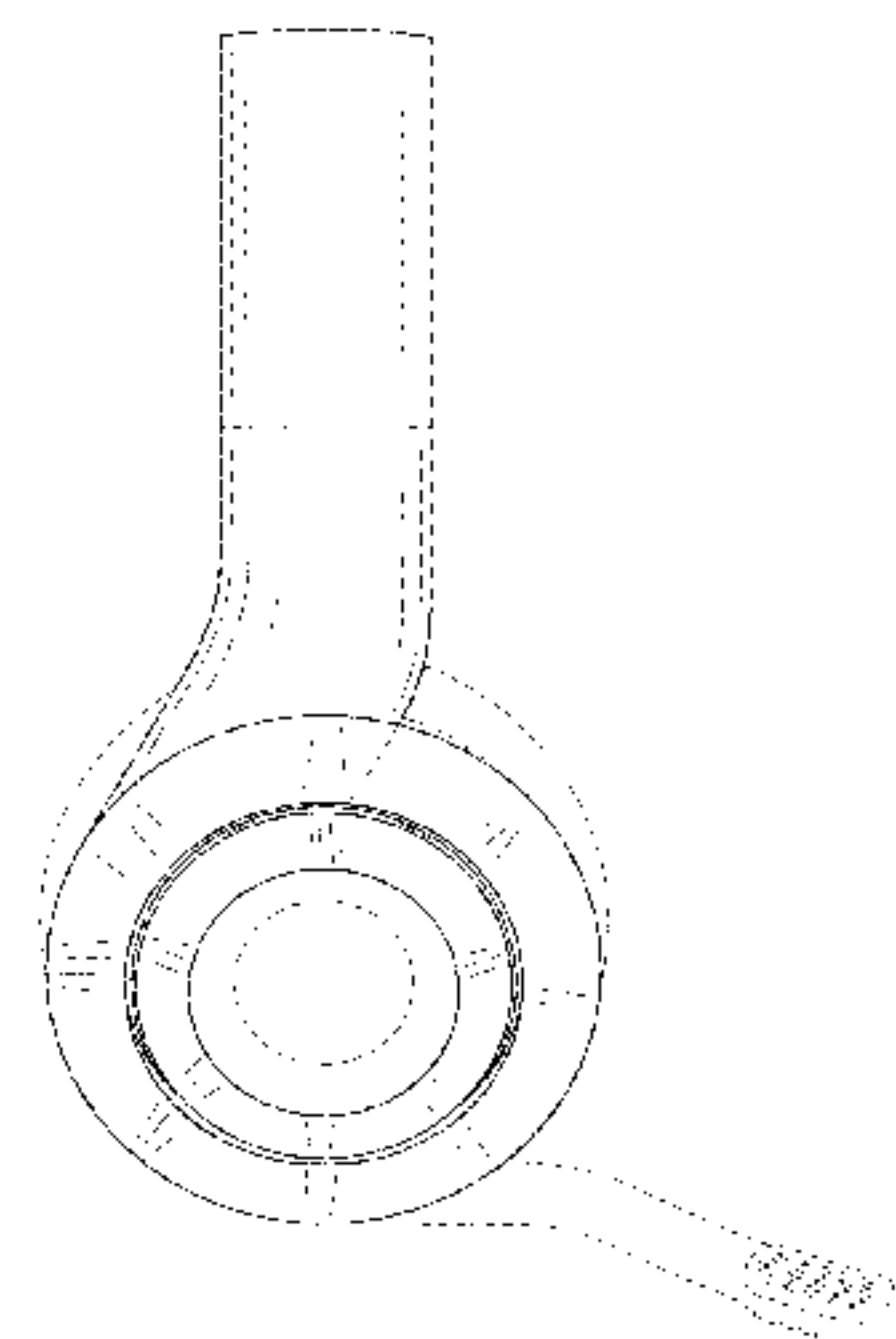
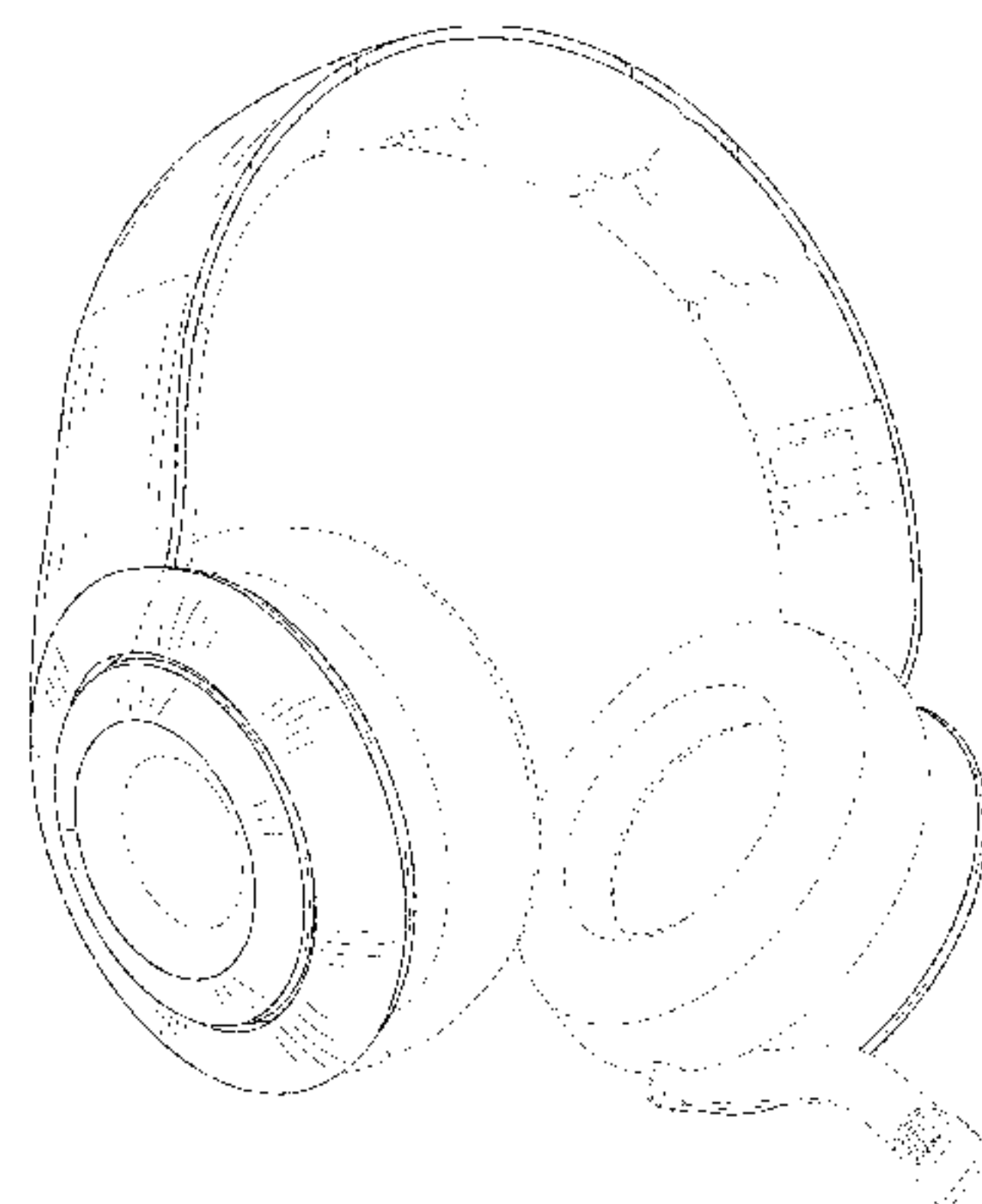
(60) Continuation of application No. 29/574,209, filed on Aug. 12, 2016, now Pat. No. Des. 814,438, which is a continuation of application No. 29/504,827, filed on Oct. 9, 2014, now Pat. No. Des. 764,435, which is a continuation of application No. 29/464,539, filed on Aug. 18, 2013, now Pat. No. Des. 716,760, which is a division of application No. 29/426,082, filed on Jun. 29, 2012, now Pat. No. Des. 691,112, which is a continuation-in-part of application No. 29/410,585, filed on Jan. 9, 2012, now Pat. No. Des. 698,749.

(51) **LOC (12) Cl.** **14-01**

(52) **U.S. Cl.**
USPC **D14/205**

(58) **Field of Classification Search**
USPC D14/205, 206, 372; D29/112; 2/209; 181/129, 130, 135; 379/430, 431; 381/380, 381, 374; 455/90.3, 575.1, 455/569.1; 345/7, 8
CPC H04R 1/1066; H04R 1/1016; H04R 5/033; H04R 5/0335; H04R 1/10; H04R 25/00; H04R 25/02

See application file for complete search history.



US D860,969 S

Page 2

D491,163 S 6/2004 Green
D502,938 S 3/2005 Tokioka et al.
D504,414 S 4/2005 Yoshida
D504,883 S 5/2005 Jacobson et al.
D512,381 S 12/2005 Sirichai et al.
D512,417 S 12/2005 Hirakawa et al.
D512,708 S 12/2005 Harris, Jr. et al.
D512,981 S 12/2005 Jacobson et al.
D514,086 S 1/2006 Skulley
D517,043 S 3/2006 Jacobson et al.
D517,528 S 3/2006 Skulley
7,072,483 B2* 7/2006 Lenhard-Backhaus
H04R 1/1066
381/370
D532,407 S 11/2006 Motoishi
D534,155 S * 12/2006 Obata D14/205
D534,156 S * 12/2006 Obata D14/205
7,172,052 B2* 2/2007 Lenhard-Backhaus
H04R 1/1066
181/129
D539,788 S 4/2007 Thompson et al.
D540,301 S 4/2007 Obata
D540,303 S 4/2007 Rausch et al.
D540,778 S 4/2007 Thompson et al.
D541,255 S 4/2007 Taylor et al.
D541,256 S 4/2007 Rausch et al.
D541,257 S 4/2007 Thursfield
D552,077 S * 10/2007 Brunner D14/205
D557,684 S 12/2007 Pundsack et al.
D560,654 S 1/2008 Feng
D563,382 S 3/2008 Wikel
D563,995 S 3/2008 Deguchi et al.
7,356,362 B2 4/2008 Chang et al.
D582,890 S * 12/2008 Koza D14/205
D584,715 S 1/2009 Brennwald
D585,870 S * 2/2009 Zheng D14/205
D585,871 S 2/2009 Lee
D585,872 S 2/2009 Lee
D588,098 S 3/2009 Kurihara
D588,100 S 3/2009 Densho et al.
D591,263 S 4/2009 Shimizu
D592,182 S 5/2009 Sanguinetti
D592,640 S 5/2009 Tkachuk
D593,995 S 6/2009 Shimizu
D600,674 S 9/2009 Brennwald
D602,906 S 10/2009 Groves et al.
D603,370 S 11/2009 Suzuki
D603,371 S * 11/2009 Boateng D14/205
D616,865 S 6/2010 Marchand et al.
D617,769 S * 6/2010 Birger D14/205
D617,771 S 6/2010 Groves et al.
7,735,154 B2 6/2010 Gellis et al.
D625,705 S 10/2010 Ohori et al.
D632,668 S * 2/2011 Brunner D14/205
D633,896 S 3/2011 Kondo et al.
D635,959 S 4/2011 Hutchieson
D637,176 S * 5/2011 Brunner D14/205
D637,998 S 5/2011 Brunner et al.
D637,999 S 5/2011 Brunner et al.
D638,000 S 5/2011 Hoggarth
D639,776 S 6/2011 Arimoto
D641,725 S 7/2011 Chong et al.
D648,330 S 11/2011 Fischer
D652,017 S 1/2012 Groves et al.
D652,405 S 1/2012 Lee et al.
D652,406 S * 1/2012 Lee D14/205
D654,471 S 2/2012 Fischer
D654,472 S 2/2012 Fischer
D657,344 S * 4/2012 Brunner D14/205
D657,345 S 4/2012 Brunner et al.
D657,776 S 4/2012 Lee et al.
D660,823 S * 5/2012 Hardi D14/205
D660,824 S * 5/2012 Hardi D14/205
D660,826 S 5/2012 Brunner et al.
D662,490 S * 6/2012 McSweyn D14/205
D663,716 S * 7/2012 Hardi D14/205
D673,136 S * 12/2012 Kelly D14/205
D673,518 S 1/2013 Tan
D673,520 S * 1/2013 Tan D14/205

D674,767 S 1/2013 Brunner et al.
D675,595 S 2/2013 Cho et al.
D677,647 S 3/2013 Lee et al.
D677,648 S 3/2013 Lee et al.
D683,329 S * 5/2013 Hagelin D14/205
D689,843 S 9/2013 Lee
D691,112 S * 10/2013 Brunner D14/206
D691,579 S 10/2013 Lee et al.
D691,984 S 10/2013 Wang
D692,410 S * 10/2013 Brunner H04S 1/005
D14/206
D693,791 S 11/2013 Troy
D696,226 S * 12/2013 Brunner H04R 1/1008
D14/205
D698,749 S * 2/2014 Brunner D14/206
D704,163 S * 5/2014 Brunner H04R 1/1008
D14/205
D709,860 S * 7/2014 Brunner H04S 1/005
D14/205
D711,348 S 8/2014 Yang
D716,760 S * 11/2014 Brunner D14/206
D732,503 S * 6/2015 Brunner H04S 1/005
D14/205
9,084,055 B2 7/2015 Brunner et al.
D760,688 S * 7/2016 Brunner H04S 1/005
D14/206
D764,435 S * 8/2016 Brunner D14/205
D809,477 S 2/2018 Brunner et al.
D814,438 S * 4/2018 Brunner D14/205
D836,600 S * 12/2018 Lee D14/206
D843,345 S * 3/2019 Brunner D14/205
2003/0182713 A1 10/2003 Rolla
2004/0216946 A1 11/2004 Lenhard-Backhaus
2005/0053255 A1 3/2005 Harris et al.
2005/0226452 A1 10/2005 Amae et al.
2006/0001307 A1 1/2006 Embach
2006/0062417 A1 3/2006 Tachikawa
2006/0104471 A1 5/2006 Tsunoda et al.
2008/0056525 A1 3/2008 Fujiwara et al.
2009/0220118 A1 9/2009 Meier et al.
2010/0128884 A1 5/2010 Sapiejewski et al.
2010/0284558 A1 11/2010 Kimura et al.
2011/0206216 A1 8/2011 Brunner et al.
2011/0249856 A1 10/2011 Takei

FOREIGN PATENT DOCUMENTS

GB	2072035 B	1/1998
JP	D1318386	12/2007
JP	D1406347	1/2011
JP	D1430542	12/2011
KR	30-0476152	1/2008
WO	WO 2007/103561 A2	9/2007
WO	WO 2012/094176 A2	7/2012

OTHER PUBLICATIONS

Office Action dated Dec. 10, 2010 for Russian Patent Application No. 2010501890.
Search Report dated Mar. 31, 2011 for Taiwan Patent Application No. 099303306.
Search Report and Written Opinion for PCT Application No. PCT/US11/67045 dated Sep. 27, 2012.
Taiwan Office Action for Taiwan Application No. 101303990 dated Aug. 26, 2013.
Taiwan Office Action for Taiwan Application No. 101301117 dated Aug. 26, 2013.
Taiwan Office Action for Taiwan Application No. 102302000 dated Aug. 26, 2013.

* cited by examiner

Primary Examiner — Paula Allen Greene
(74) *Attorney, Agent, or Firm* — Sterne, Kessler, Goldstein & Fox, P.L.L.C.

(57)

CLAIM

The ornamental design for a headset, as shown and described.

DESCRIPTION

FIG. 1 is a front perspective view of a headset showing the claimed design;

FIG. 2 is a rear view thereof;

FIG. 3 is a bottom view thereof;

FIG. 4 is a front view thereof;

FIG. 5 is a right side view thereof;

FIG. 6 is a left side view thereof; and,

FIG. 7 is a top view thereof.

The broken lines in the figures show portions of the headset that form no part of the claimed design.

1 Claim, 7 Drawing Sheets

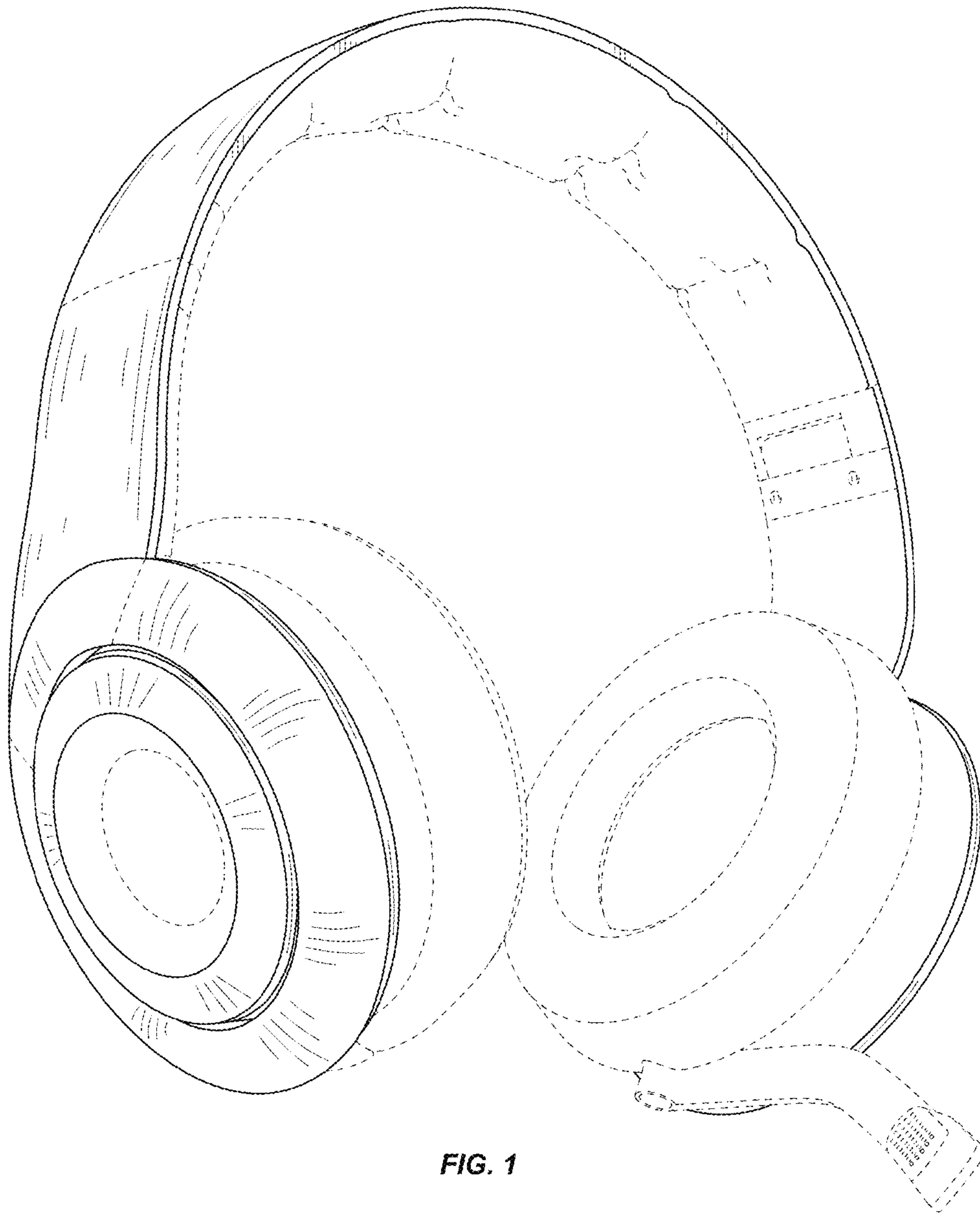


FIG. 1

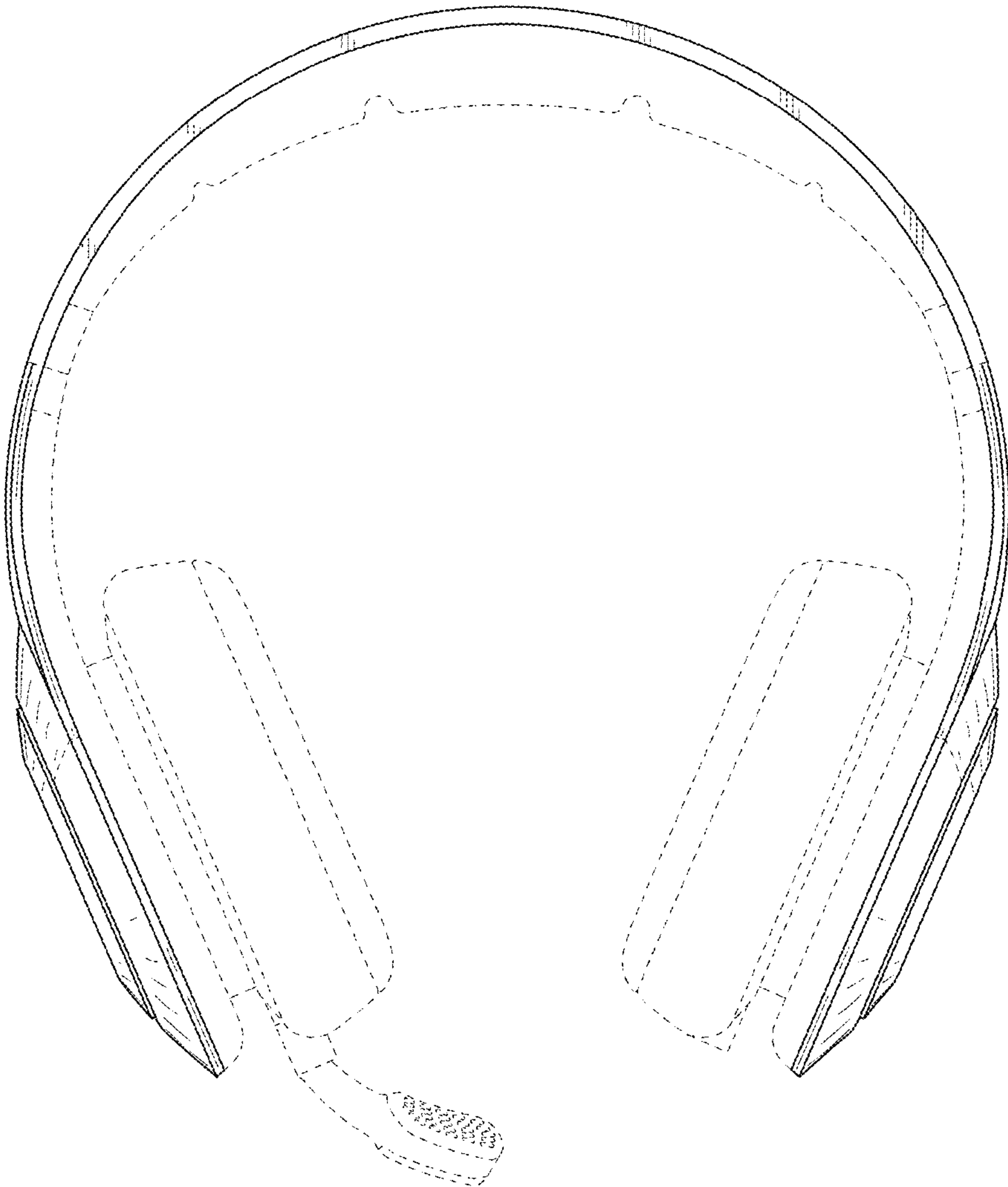


FIG. 2

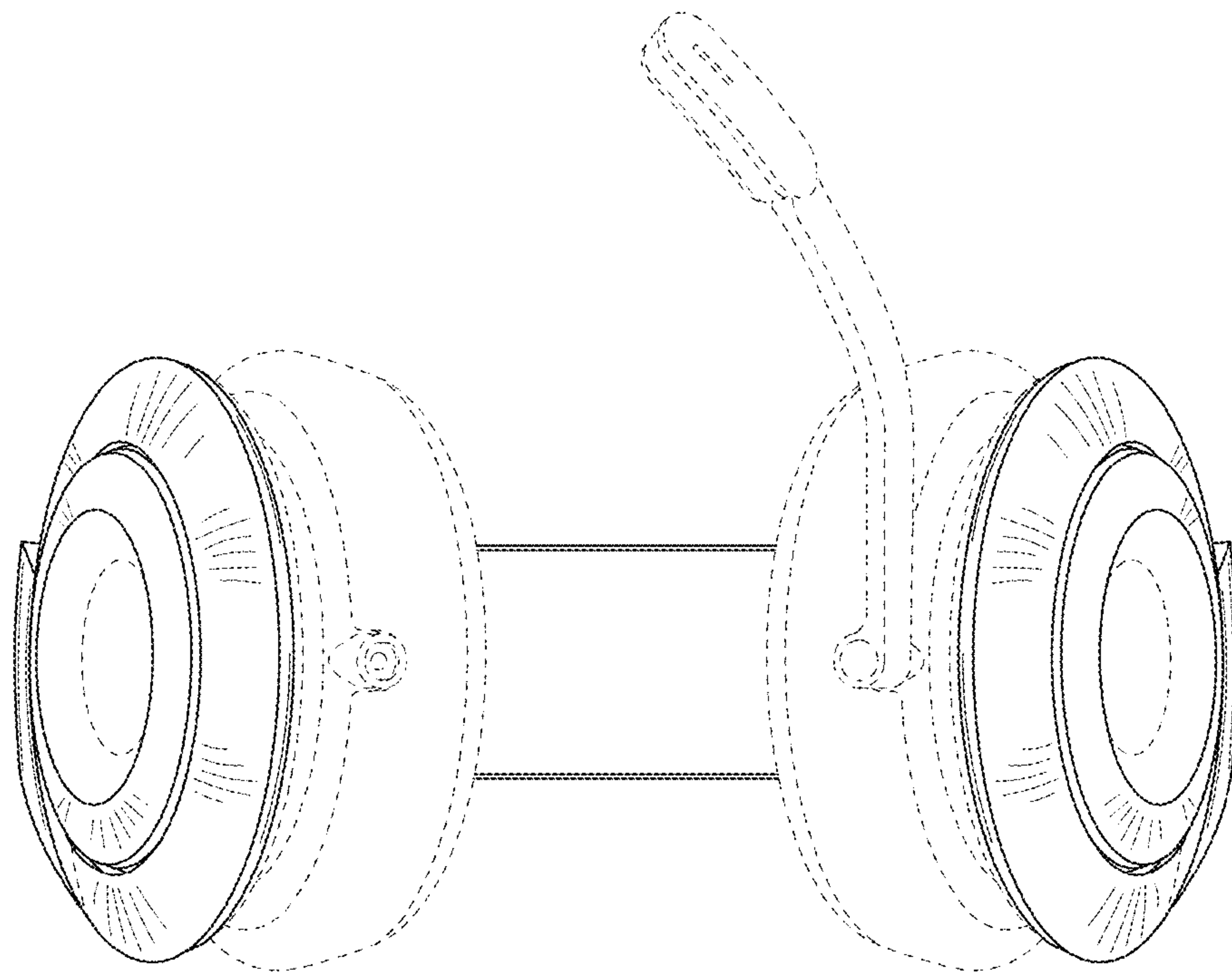


FIG. 3

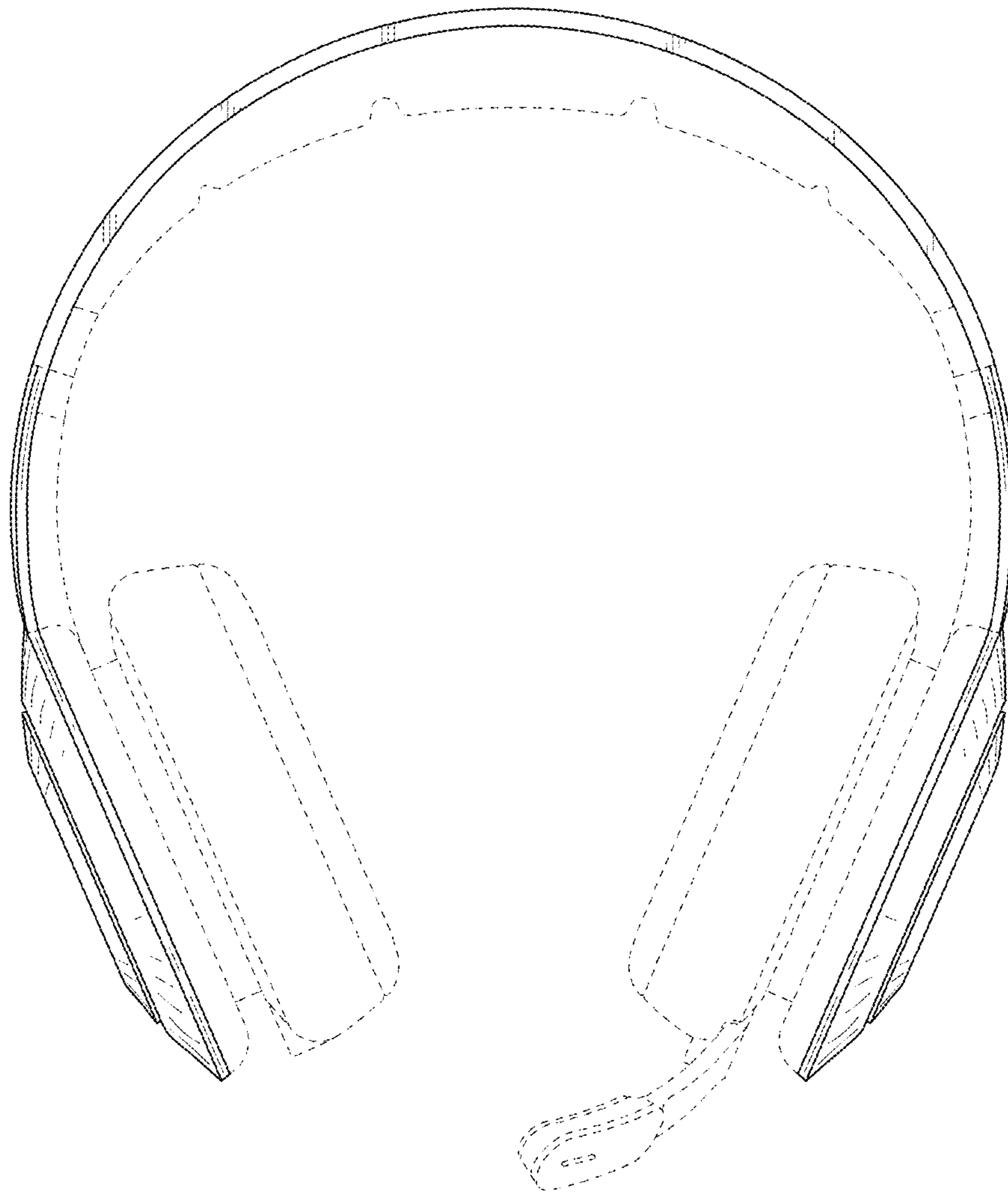


FIG. 4

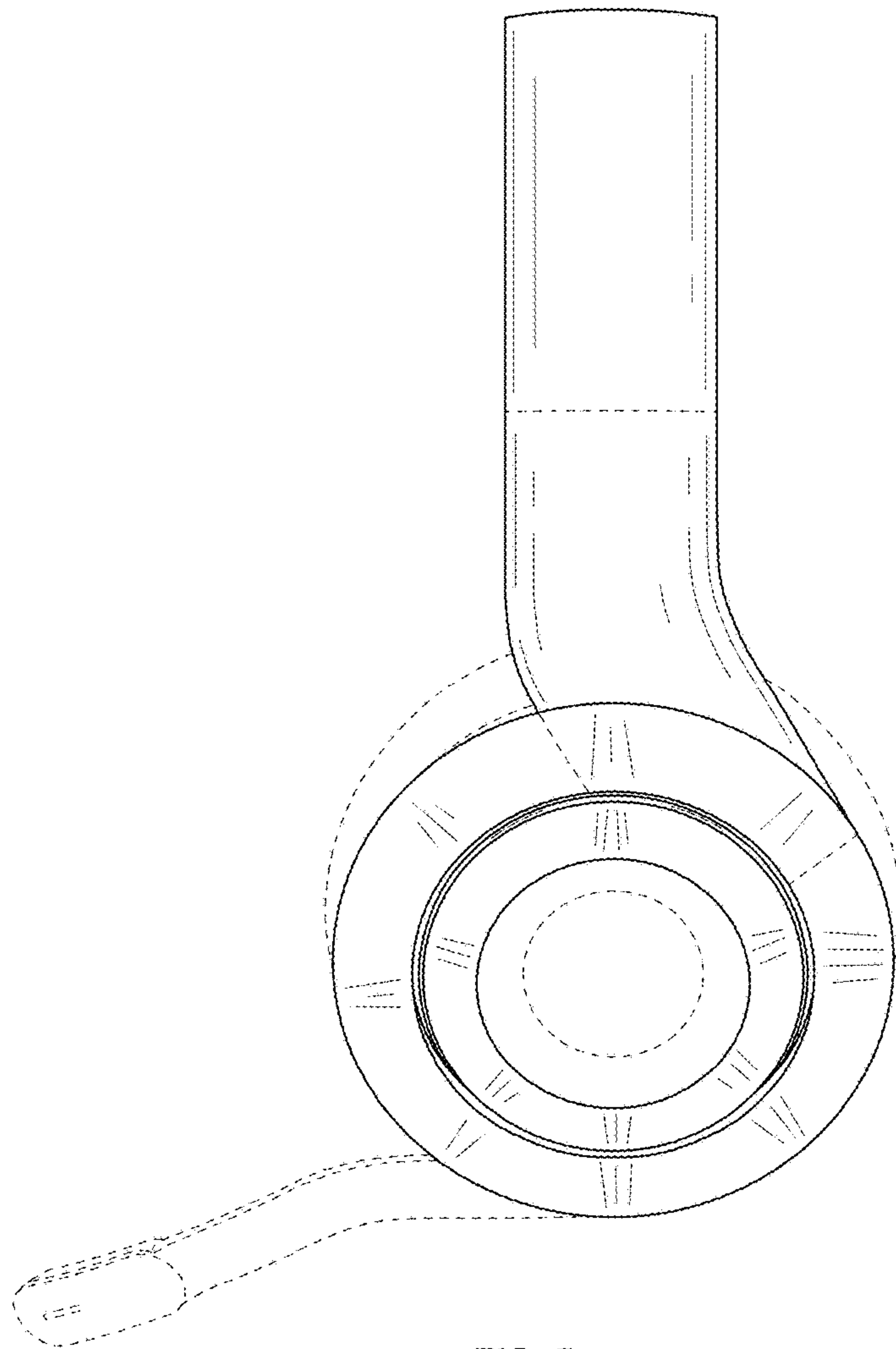


FIG. 5

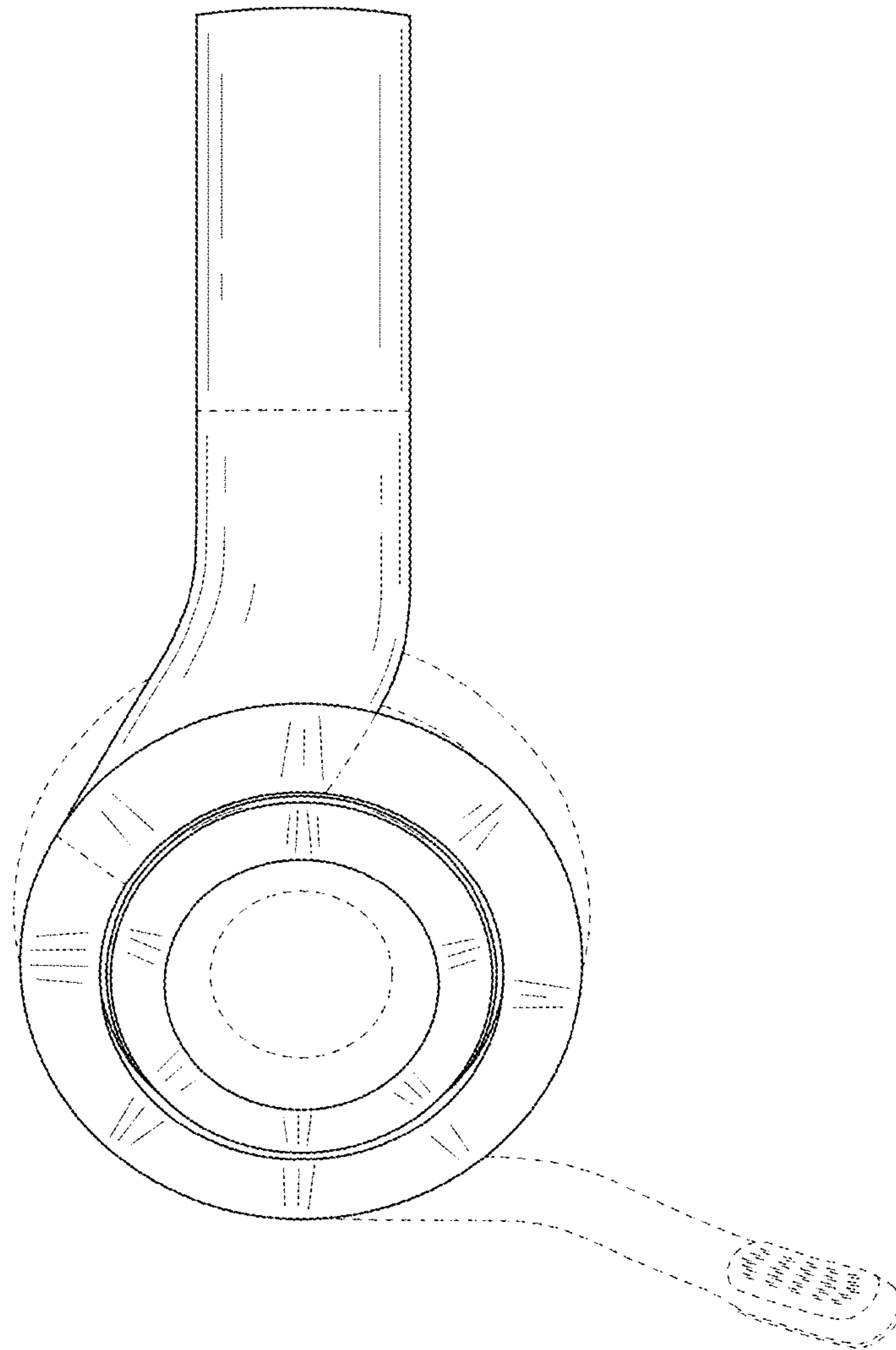


FIG. 6

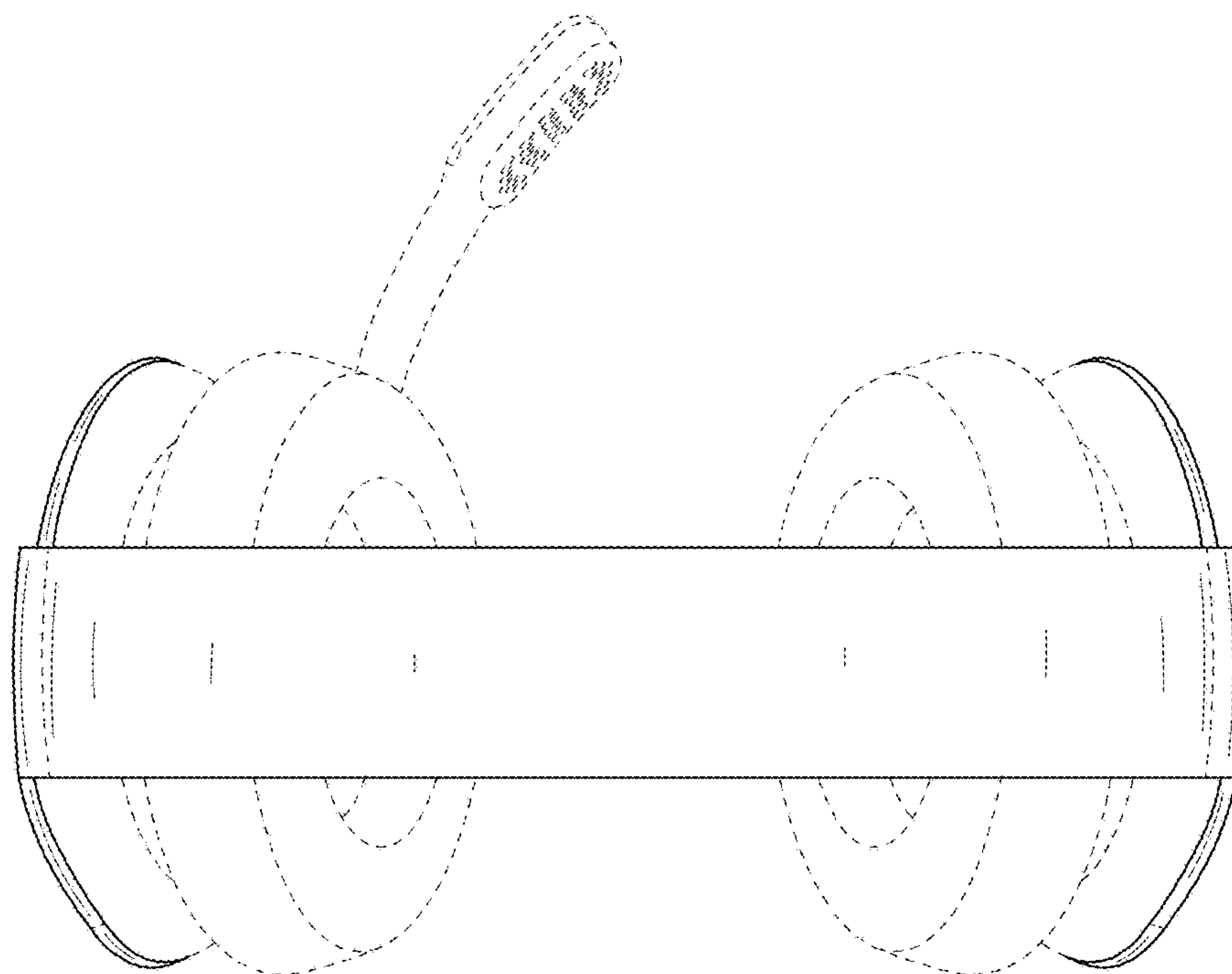


FIG. 7