

US00D860964S

(12) **United States Design Patent**  
**Hou**

(10) **Patent No.:** **US D860,964 S**

(45) **Date of Patent:** **\*\* Sep. 24, 2019**

(54) **INTELLIGENT VIDEO CONFERENCING  
TERMINAL**

(71) Applicant: **Shenzhen Inpor Cloud Computing  
Co., Ltd.**, Shenzhen, Guangdong (CN)

(72) Inventor: **Gang Hou**, Guangdong (CN)

(73) Assignee: **Shenzhen Inpor Cloud Computing  
Co., Ltd.**, Shenzhen (CN)

(\*\*) Term: **15 Years**

(21) Appl. No.: **29/641,591**

(22) Filed: **Mar. 23, 2018**

(51) **LOC (12) Cl.** ..... **14-03**

(52) **U.S. Cl.**

USPC ..... **D14/129**; D16/208; D14/336

(58) **Field of Classification Search**

USPC ..... D14/302, 303, 305, 307, 336, 388, 389,  
D14/496, 126, 129, 130, 140, 140.2, 142,  
D14/144, 299, 314, 318, 330; D24/127,  
D24/128, 158, 160, 161, 185, 186, 107,  
D24/137; D16/208; D18/4.4, 4.5  
CPC ..... H04M 1/0264; H04M 1/0266; H04M  
1/0295; H04M 2201/50; H04M 2250/20;  
H04N 1/00302; H04N 2007/145; H04N  
7/14; H04N 7/142

See application file for complete search history.

(56) **References Cited**

**U.S. PATENT DOCUMENTS**

D309,304 S \* 7/1990 Takada ..... D14/130  
D342,512 S \* 12/1993 Ebihara ..... D14/126  
D381,651 S \* 7/1997 Banik ..... D14/129  
6,105,919 A \* 8/2000 Min ..... F16M 11/10  
248/418  
6,141,052 A \* 10/2000 Fukumitsu ..... G06F 1/1616  
348/14.08  
D463,780 S \* 10/2002 Hung ..... D14/130  
D469,745 S \* 2/2003 Soule, Jr. .... D14/127

D478,881 S \* 8/2003 O'Leary ..... D14/130  
D487,893 S \* 3/2004 Jobs ..... D14/337  
D489,342 S \* 5/2004 Campbell ..... D14/130  
D489,370 S \* 5/2004 Jobs ..... D14/337  
D492,718 S \* 7/2004 Ookushi ..... D18/4.4  
D530,715 S \* 10/2006 Wu ..... D14/371  
D533,525 S \* 12/2006 Arie ..... D14/129  
D534,512 S \* 1/2007 Kim ..... D14/130  
D540,789 S \* 4/2007 Sagen ..... D14/336  
D550,195 S \* 9/2007 Ju ..... D14/151  
D559,210 S \* 1/2008 Brown ..... D14/130  
D559,211 S \* 1/2008 Brown ..... D14/130  
D582,875 S \* 12/2008 Haspil ..... D14/138 G

(Continued)

**OTHER PUBLICATIONS**

Integrated intelligent video conference terminal. (CN 304788465)  
(Design—© Questel) orbit.com.[online PDF] 4 pgs. Print Date Aug.  
28, 2018. [Retrieved on May 28, 2019] [https://sobjprd.questel.fr/  
export/QPTUJ214/pdf2/460fa7cb-f377-49d3-abdf-7704ce661067-  
193644.pdf](https://sobjprd.questel.fr/export/QPTUJ214/pdf2/460fa7cb-f377-49d3-abdf-7704ce661067-193644.pdf).\*

*Primary Examiner* — Marie D. Fast Horse

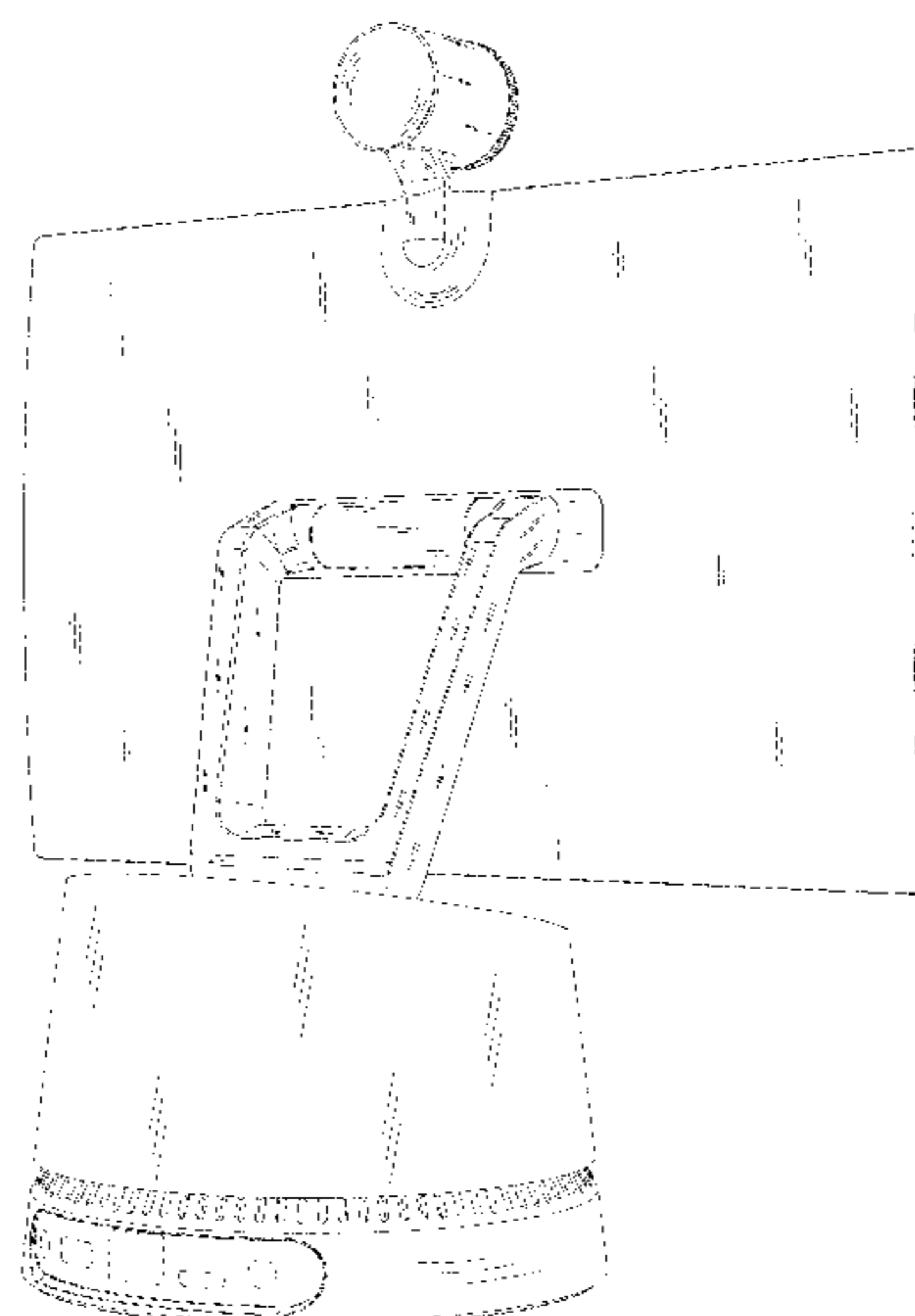
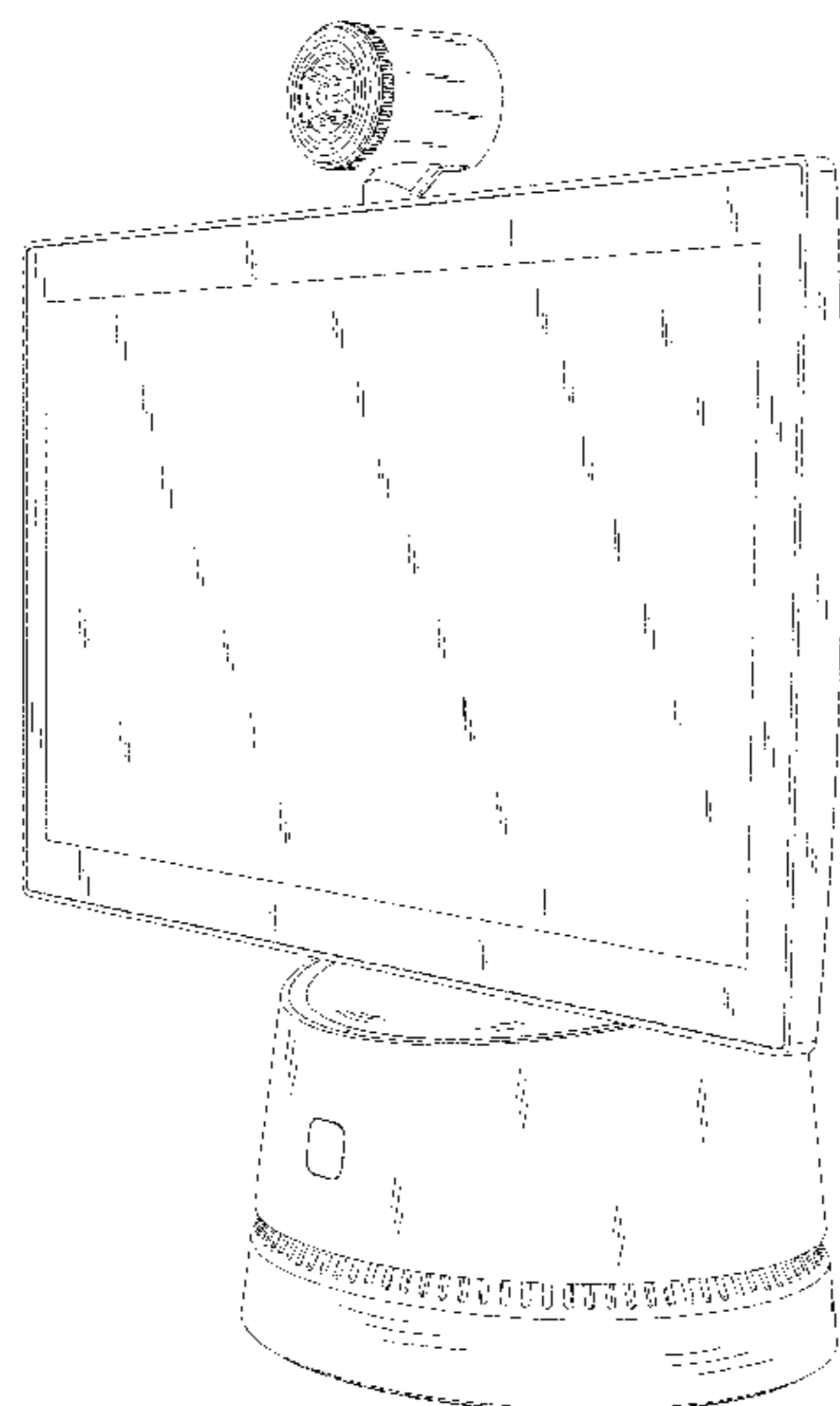
(57) **CLAIM**

The ornamental design for an intelligent video conferencing  
terminal, as shown and described.

**DESCRIPTION**

FIG. 1 is a front elevational view of an intelligent video  
conferencing terminal showing my new design;  
FIG. 2 is a rear elevational view thereof;  
FIG. 3 is a left side view thereof;  
FIG. 4 is a right side view thereof;  
FIG. 5 is a top plan view thereof;  
FIG. 6 is a bottom plan view thereof;  
FIG. 7 is a front perspective view thereof; and,  
FIG. 8 is a rear perspective view thereof.  
The broken lines in the drawings illustrate portions of the  
intelligent video conferencing terminal which form no part  
of the claimed design.

**1 Claim, 8 Drawing Sheets**



(56)

References Cited

U.S. PATENT DOCUMENTS

D600,242 S *	9/2009	Yeh	D14/341	D718,730 S *	12/2014	Andresen	D14/126
D607,457 S *	1/2010	Hui	D14/371	D728,656 S *	5/2015	Goldenberg	D16/208
D609,662 S *	2/2010	Noreng	D14/130	D732,037 S *	6/2015	Wylie	D14/434
D618,192 S *	6/2010	Huang	D14/130	D739,364 S *	9/2015	Mellingen	D14/126
D623,619 S *	9/2010	Roed	D14/126	D747,704 S *	1/2016	Tsou	D14/242
D626,102 S *	10/2010	Buzzard	D14/126	D748,674 S *	2/2016	Cheung	D14/341
D629,771 S *	12/2010	Haspil	D14/138 G	D751,205 S *	3/2016	Tan	D24/158
D632,661 S *	2/2011	Micallef	D14/127	9,313,452 B2 *	4/2016	Friel	H04N 7/144
D633,455 S *	3/2011	Chiu	D14/126	D756,322 S *	5/2016	Ostensen	D14/126
D636,359 S *	4/2011	Buzzard	D14/126	D758,984 S *	6/2016	Maxwell	D14/130
D636,747 S *	4/2011	Buzzard	D14/126	D760,671 S *	7/2016	Chalabi	D14/125
D637,985 S *	5/2011	Andresen	D14/126	D767,518 S *	9/2016	Kim	D14/130
D639,268 S *	6/2011	DeLorenzo	D14/130	D769,839 S *	10/2016	Tani	D14/130
D639,801 S *	6/2011	Kuroda	D14/307	D788,725 S *	6/2017	Tompkin	D14/127
D641,749 S *	7/2011	Leung	D14/336	D792,362 S *	7/2017	Maxwell	D14/130
D651,185 S *	12/2011	Andresen	D14/126	D792,413 S *	7/2017	Floersch	D14/447
D656,137 S *	3/2012	Chung	D14/341	D792,414 S *	7/2017	Floersch	D14/447
D690,293 S *	9/2013	Wilson	D14/307	D829,804 S *	10/2018	Goldenberg	D16/208
8,542,264 B2 *	9/2013	Lu	F16M 11/046 348/14.08	D831,072 S *	10/2018	Becke	D14/496
D691,585 S *	10/2013	Schul	D14/204	D836,626 S *	12/2018	Gu	D14/314
8,599,934 B2 *	12/2013	Tian	H04N 7/147 348/14.07	D846,524 S *	4/2019	Lai	D14/330
D705,234 S *	5/2014	Guran	D14/447	2002/0057334 A1 *	5/2002	Mukai	H04N 7/142 348/14.01
				2008/0055394 A1 *	3/2008	Shiue	H04N 7/142 348/14.01
				2014/0197240 A1 *	7/2014	Mistkawi	G06K 7/10821 235/470

\* cited by examiner

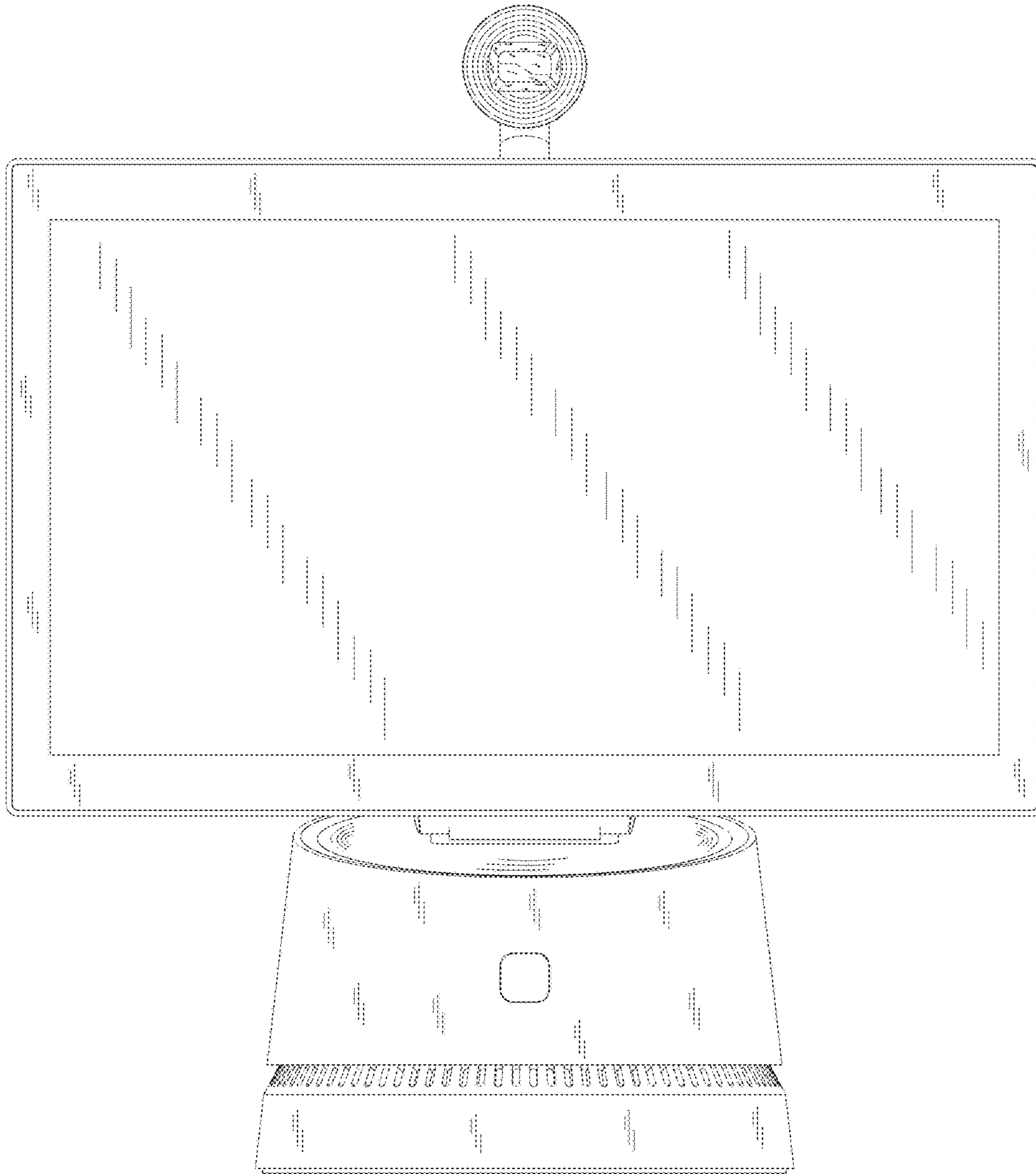


FIG. 1

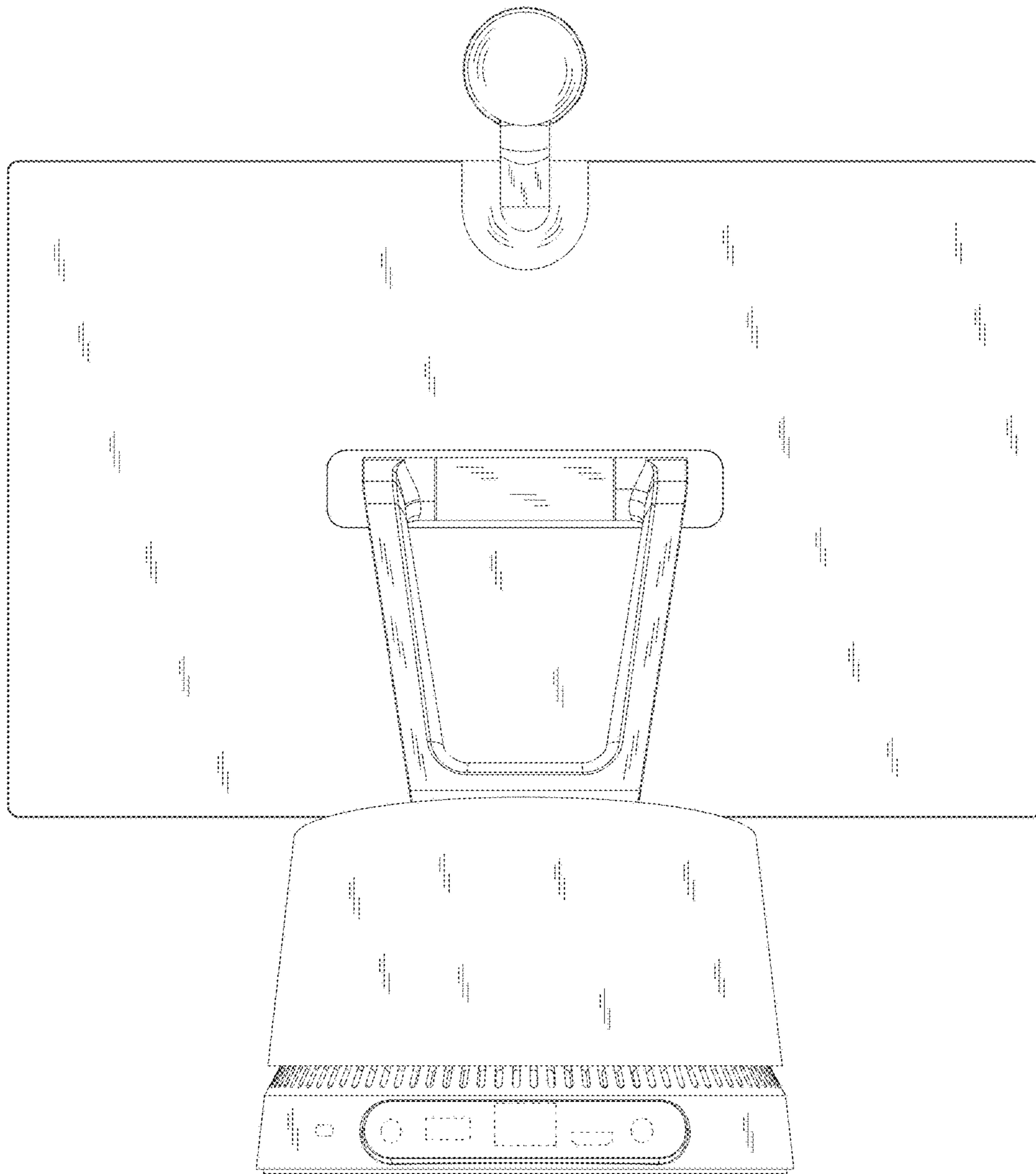


FIG. 2

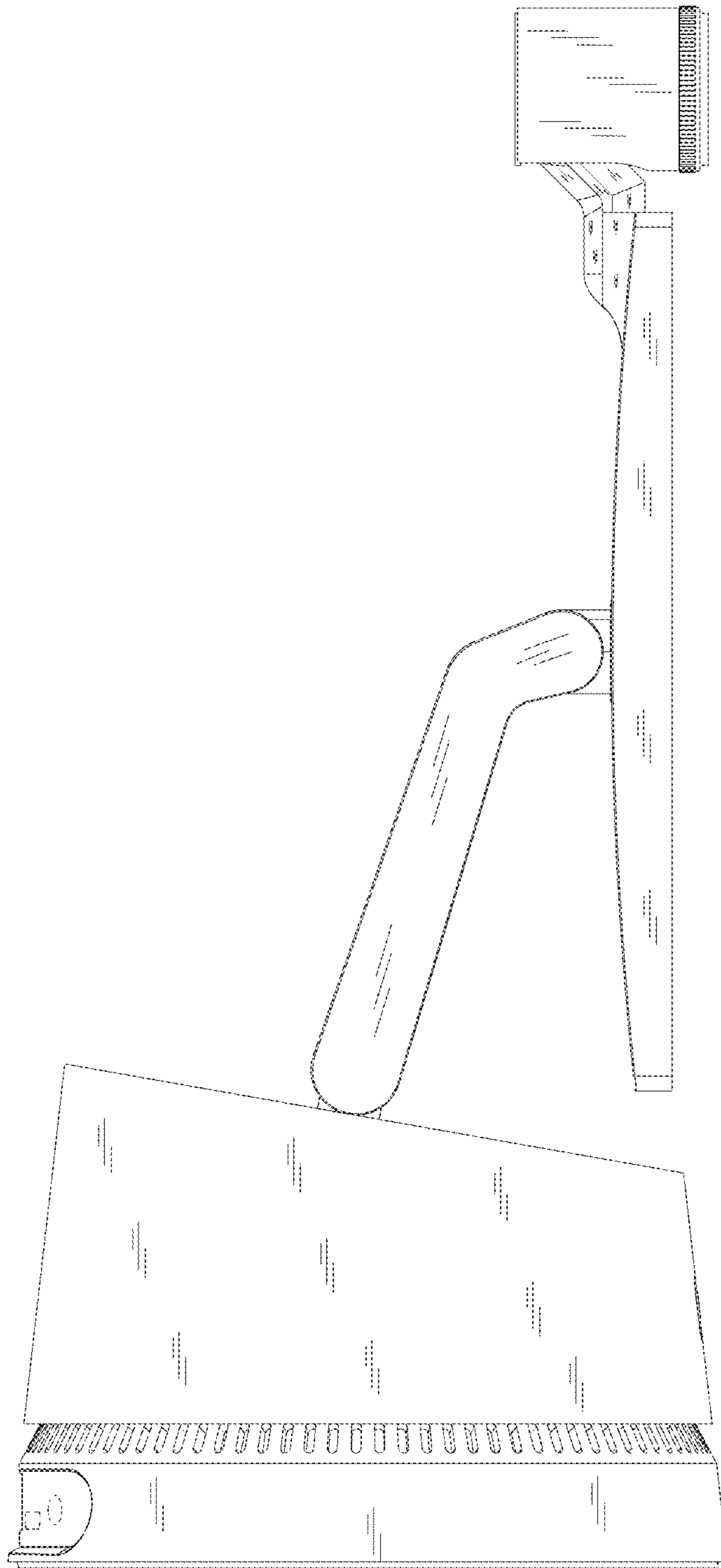


FIG. 3

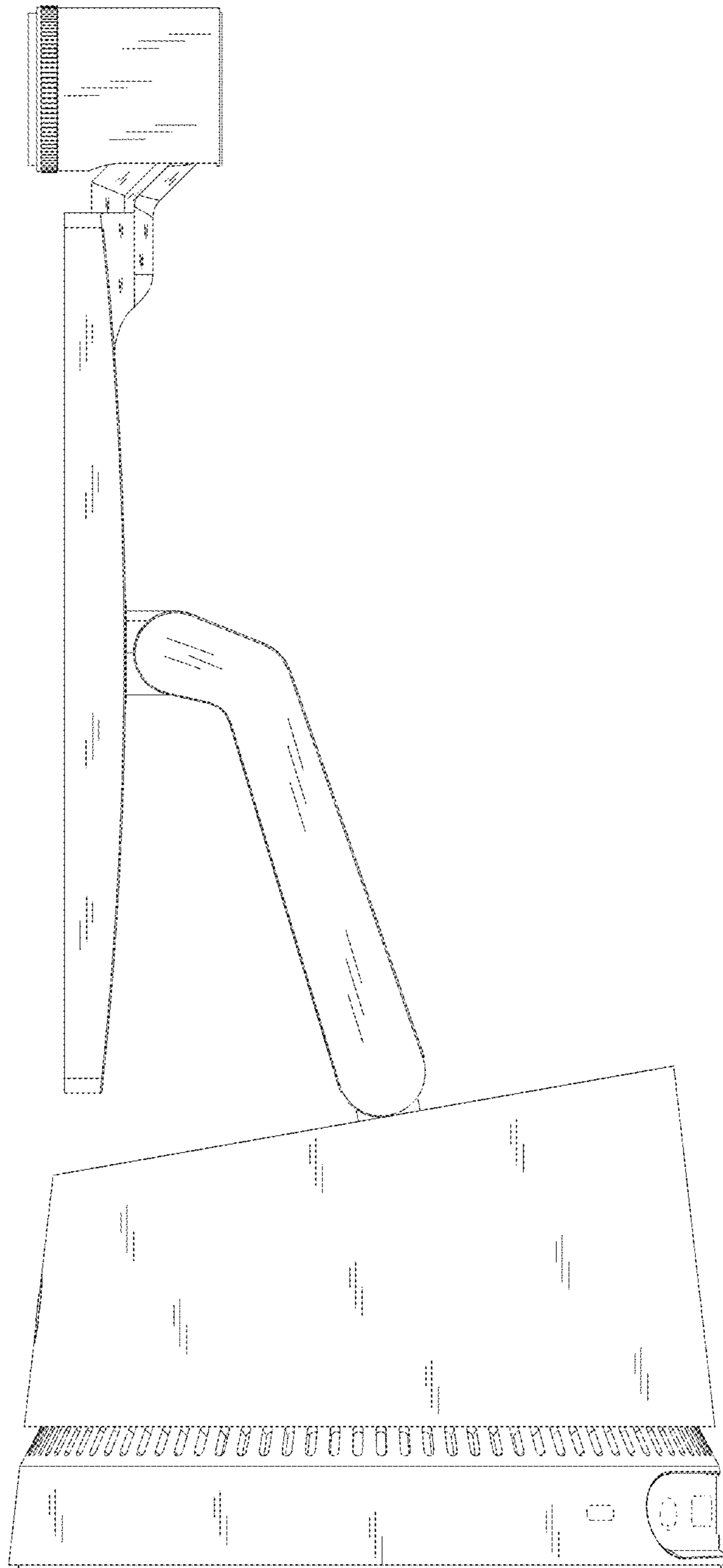


FIG. 4

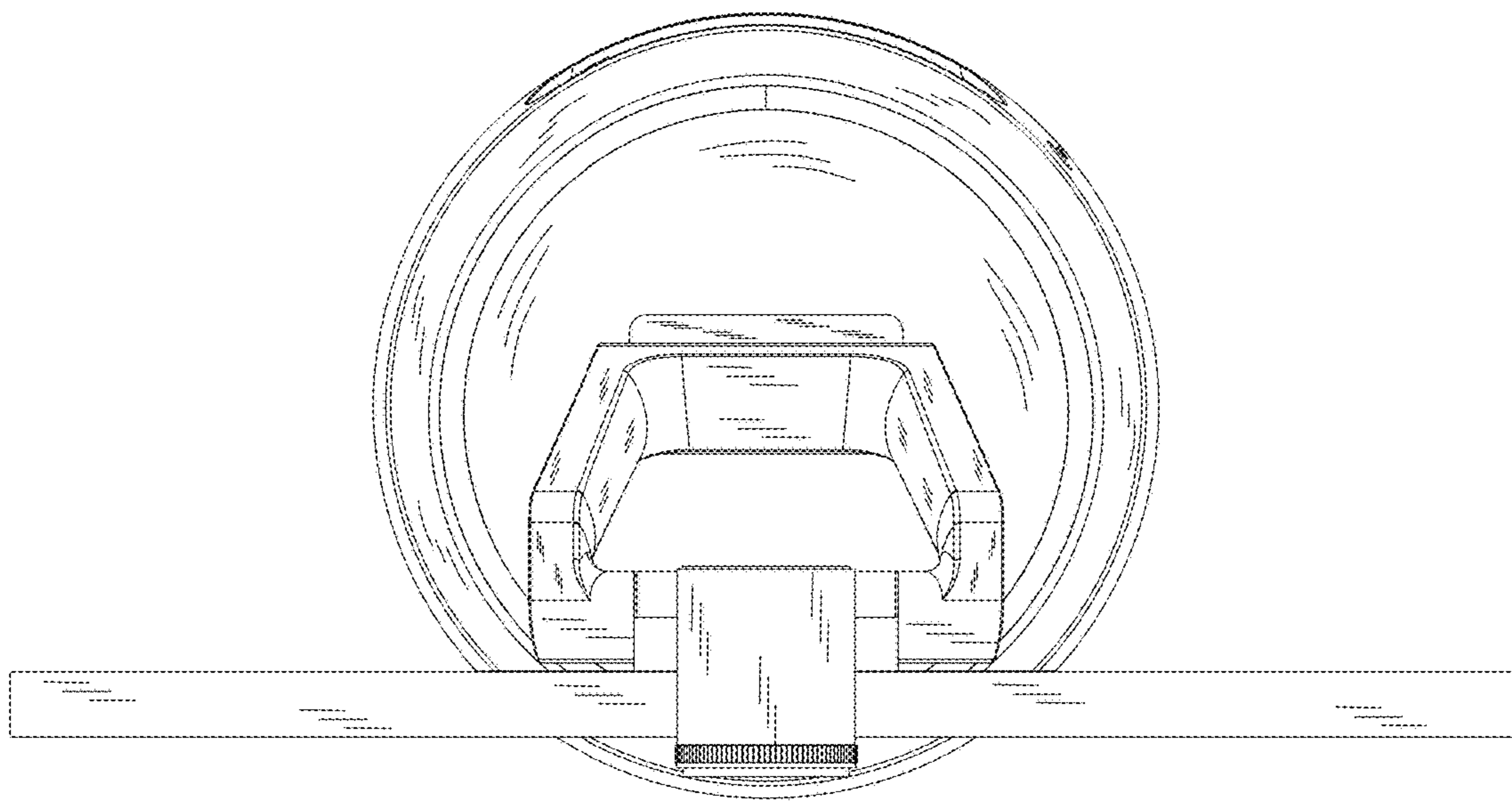


FIG. 5

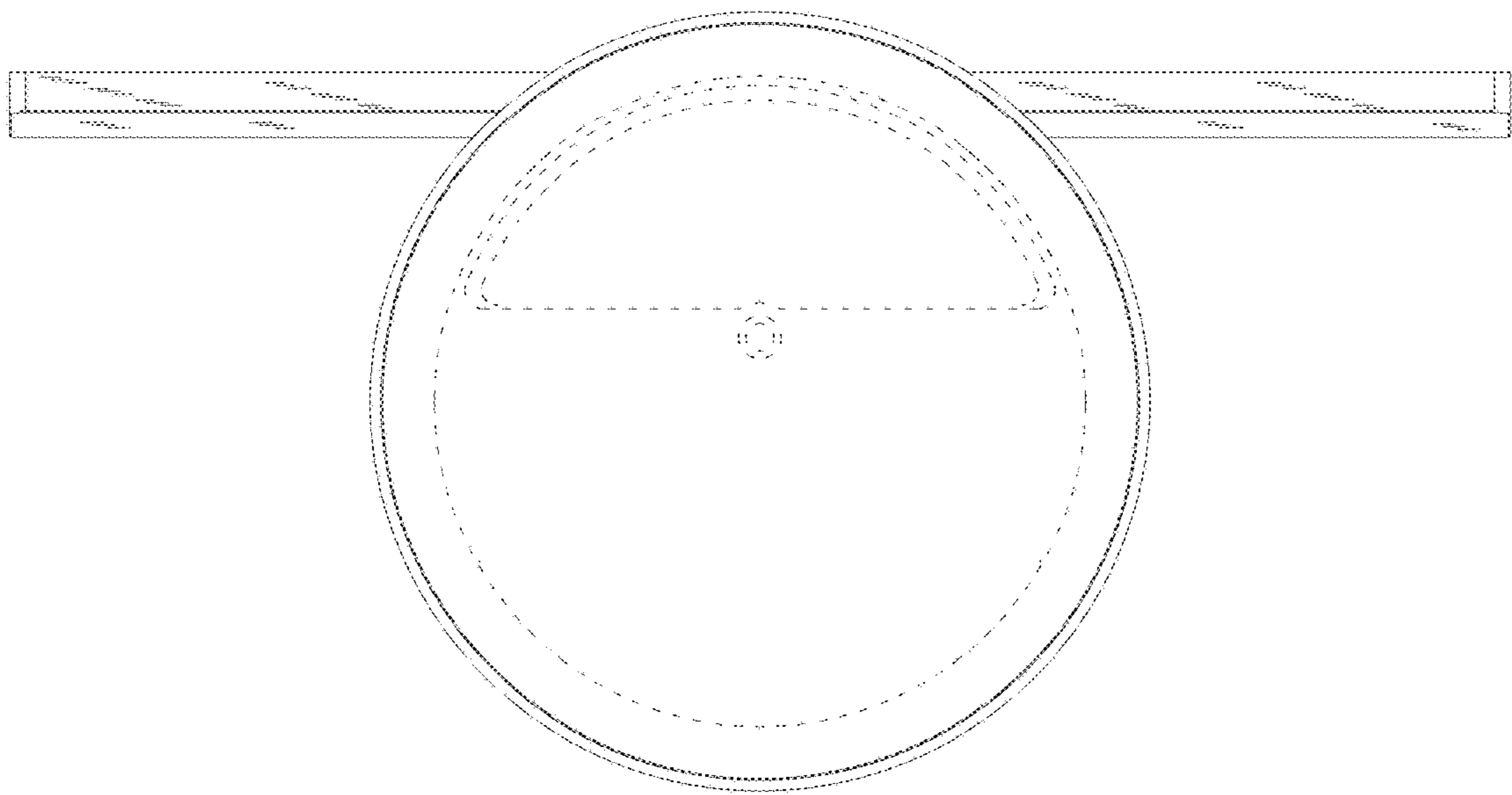


FIG. 6



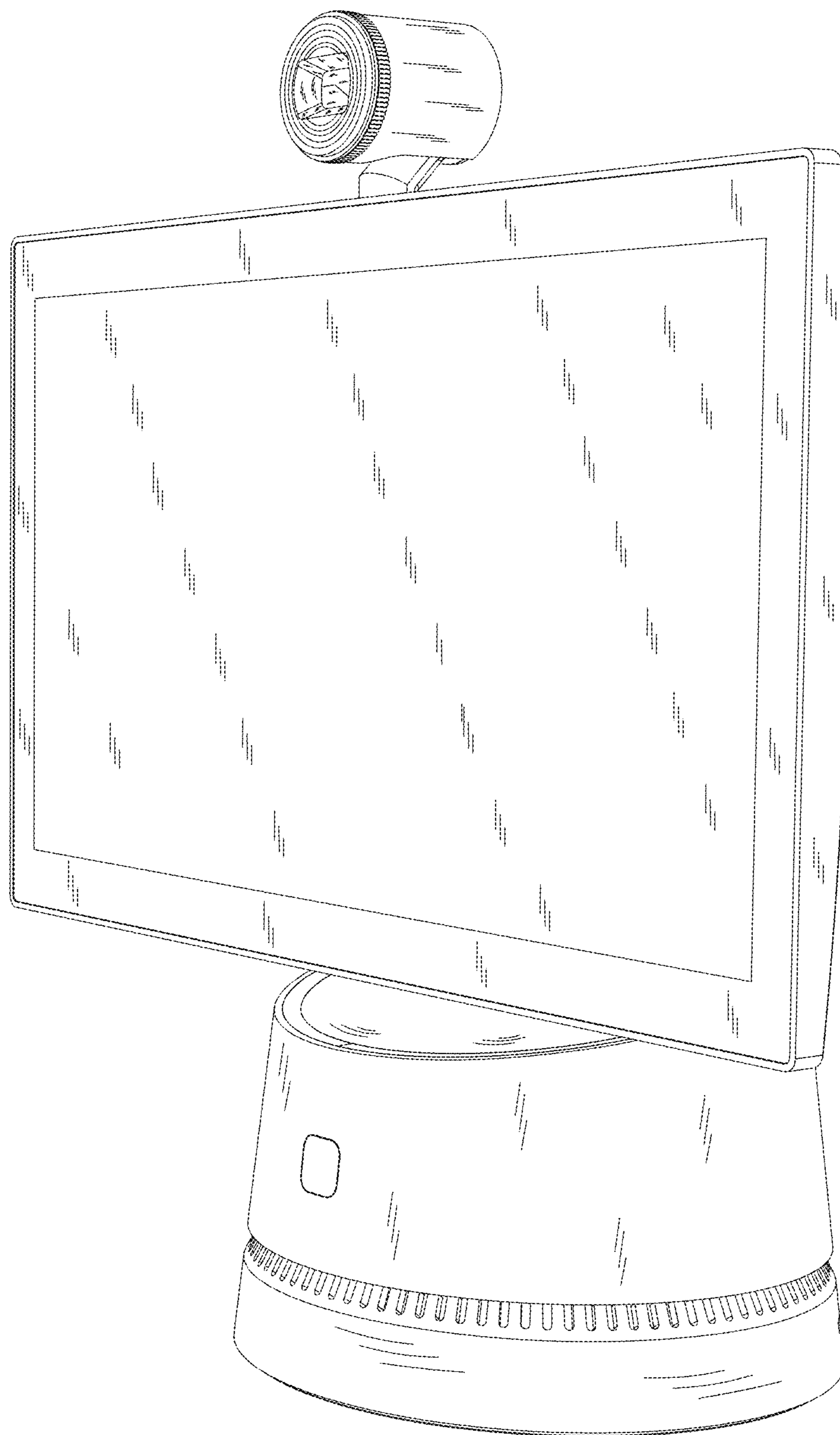


FIG. 7

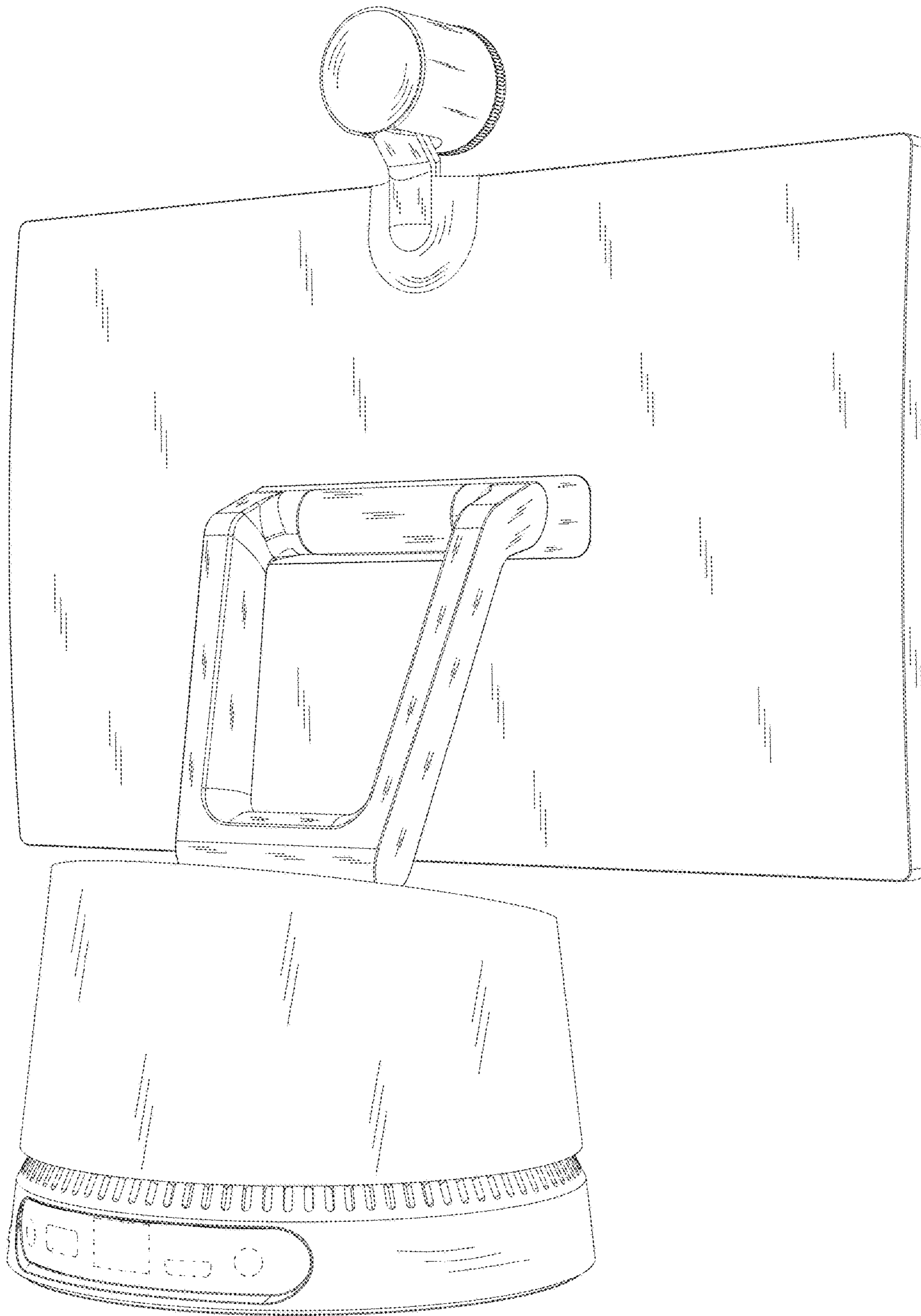


FIG. 8