



US00D860962S

(12) **United States Design Patent** (10) **Patent No.:** **US D860,962 S**
Lee et al. (45) **Date of Patent:** **** *Sep. 24, 2019**

(54) **TELEVISION APPARATUS**

(71) Applicant: **LG ELECTRONICS INC.**, Seoul (KR)
(72) Inventors: **Bumsang Lee**, Seoul (KR); **Yooseok Kim**, Seoul (KR); **Younsoo Kim**, Seoul (KR); **Taeho Kim**, Seoul (KR); **Jaeneung Jung**, Seoul (KR)

(73) Assignee: **LG ELECTRONICS INC.**, Seoul (KR)

(*) Notice: This patent is subject to a terminal disclaimer.

(**) Term: **15 Years**

(21) Appl. No.: **35/505,289**

(22) Filed: **Jan. 11, 2018**

(80) **Hague Agreement Data**

Int. Filing Date: **Jan. 11, 2018**
Int. Reg. No.: **DM/100740**
Int. Reg. Date: **Jan. 11, 2018**
Int. Reg. Pub. Date: **Jul. 13, 2018**

(30) **Foreign Application Priority Data**

Jul. 12, 2017 (KR) 30-2017-0032032

(51) **LOC (12) Cl.** **14-03**

(52) **U.S. Cl.**
USPC **D14/126**

(58) **Field of Classification Search**

USPC D14/125-134, 239, 314-316, 322, 326, D14/334-336, 339-341, 371, 373-374, D14/448, 450; D21/329, 332, 515
CPC G06F 1/16; G06F 1/1601; G06F 1/1637; H04N 5/64; H05K 5/0204; H05K 5/0017; H05K 5/0217

See application file for complete search history.

(56) **References Cited**

U.S. PATENT DOCUMENTS

D782,433 S * 3/2017 Lee D14/126
D786,868 S * 5/2017 Kim D14/374
D796,463 S * 9/2017 So D14/126
D796,464 S * 9/2017 Kim D14/126
D808,941 S * 1/2018 Lee D14/239

(Continued)

OTHER PUBLICATIONS

LG 65SK9500PUA, no date available, [online], [site visited Feb. 28, 2019]. Retrieved from url:https://www.lg.com/us/tvs/lg-65SK9500PUA-4k-uhd-tv (Year: 2019).*

(Continued)

Primary Examiner — Jeffrey D Asch

Assistant Examiner — Tracey J Bell

(74) *Attorney, Agent, or Firm* — Birch, Stewart, Kolasch & Birch, LLP

(57) **CLAIM**

The ornamental design for a television apparatus, as shown and described.

DESCRIPTION

1. Television apparatus

1.1 : Perspective

1.2 : Rear perspective

1.3 : Front

1.4 : Back

1.5 : Left

1.6 : Right

1.7 : Top

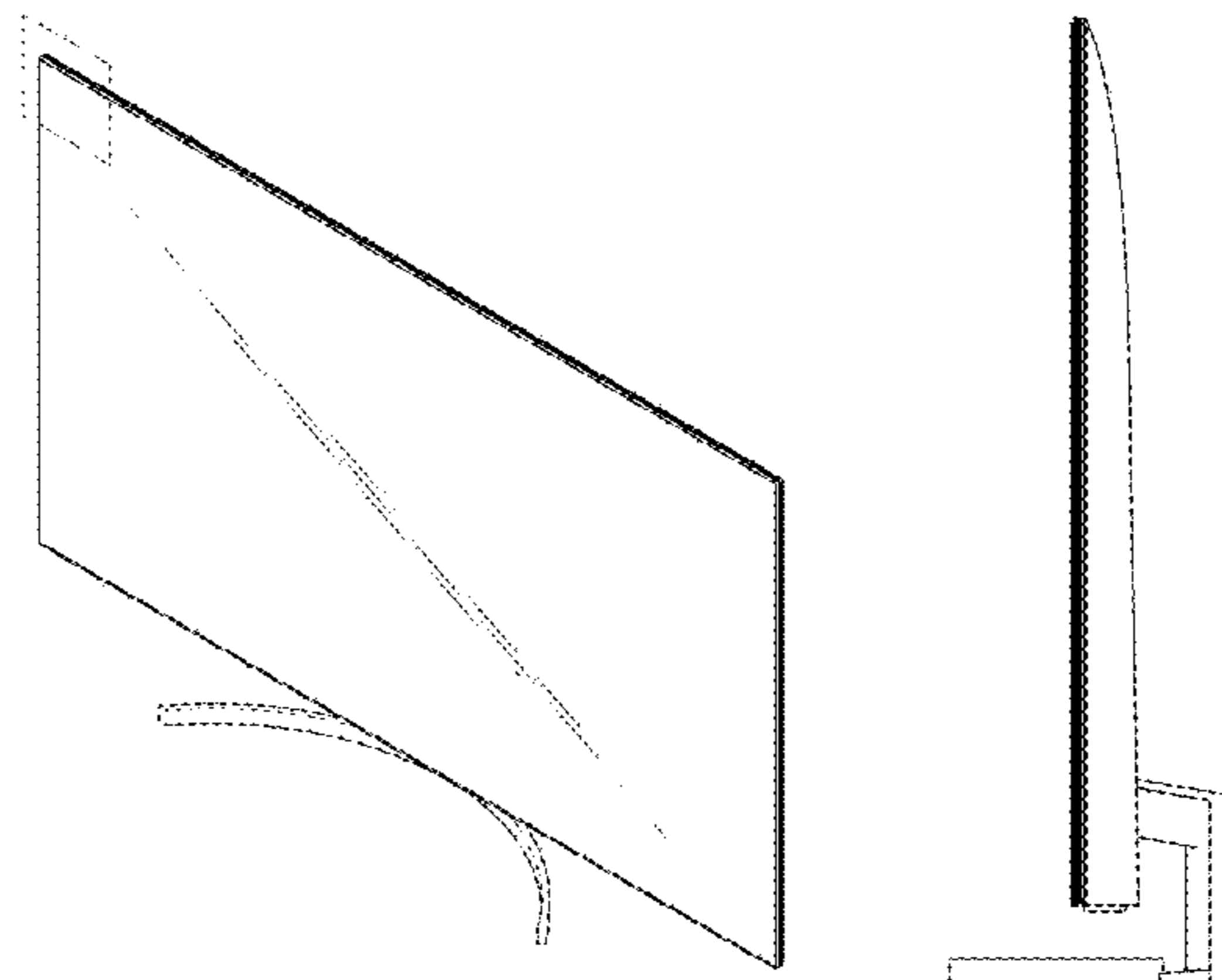
1.8 : Bottom

1.9 : Enlarged

1.10 : Enlarged

The broken lines depict portions of the article that form no part of the claimed design; the dot-dashed lines indicate

(Continued)



portions of the claimed design that are shown in enlarged views, and form no part thereof.

1 Claim, 10 Drawing Sheets

(56)

References Cited

U.S. PATENT DOCUMENTS

D817,290	S	*	5/2018	Lee	D14/126
D820,228	S	*	6/2018	Kim	D14/126
D821,372	S	*	6/2018	Lee	D14/239
D822,012	S	*	7/2018	Lee	D14/239
D823,843	S	*	7/2018	Kim	D14/239
D824,890	S	*	8/2018	Kim	D14/239
D824,891	S	*	8/2018	Kim	D14/239
D826,200	S	*	8/2018	Kim	D14/126
D826,791	S	*	8/2018	Kim	D12/126
D830,984	S	*	10/2018	Kim	D14/126
D830,985	S	*	10/2018	Cha	D14/126
D835,593	S	*	12/2018	Shin	D14/126
D836,584	S	*	12/2018	Kim	D14/126
D836,618	S	*	12/2018	Kim	D14/239

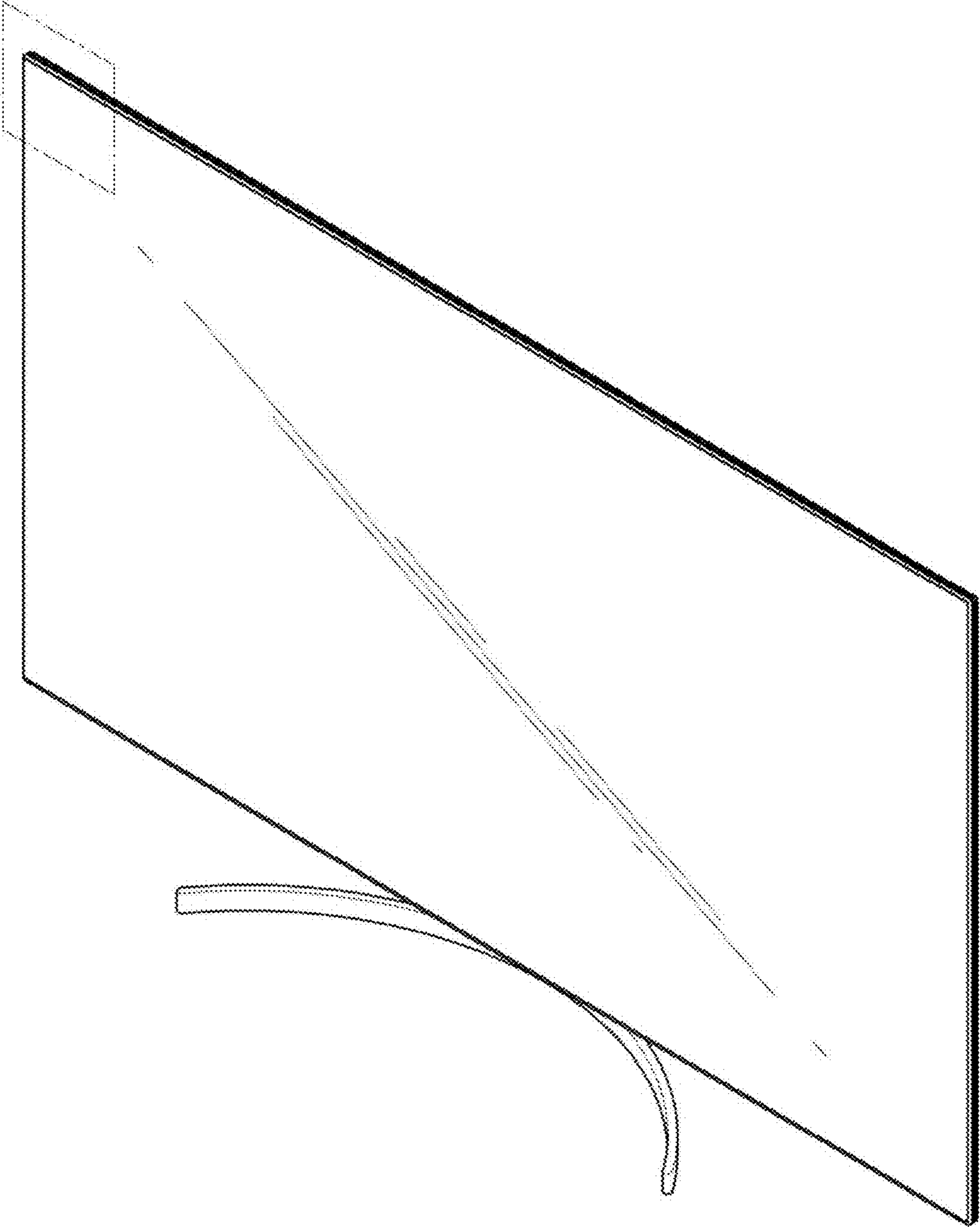
OTHER PUBLICATIONS

Philips 276E8VJSB, no date available, [online], [site visited Feb. 28, 2019]. Retrieved from url:<https://www.newegg.com/Product/Product.aspx?Item=N82E16824133478> (Year: 2019).*

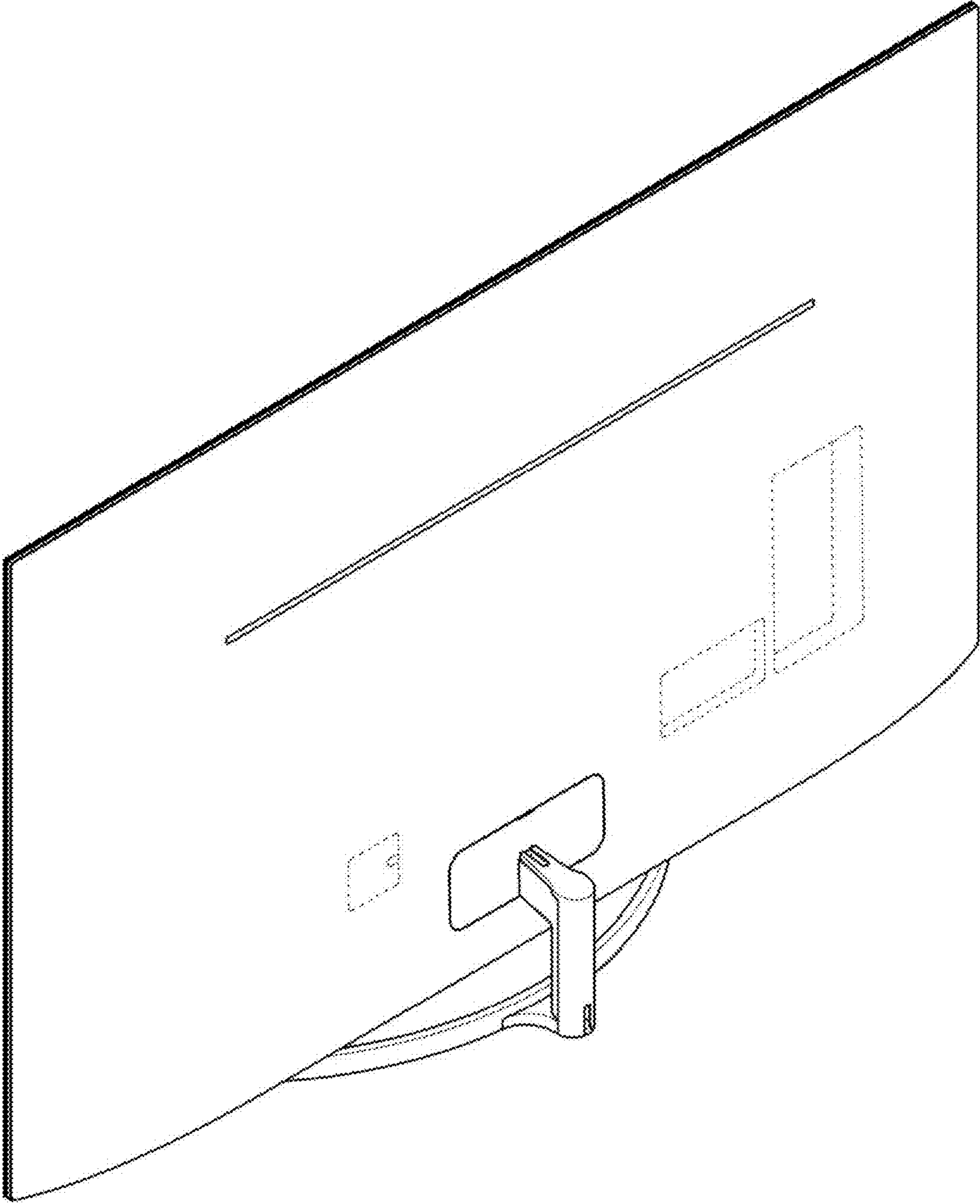
LG 29WK500-P, no date available, [online], [site visited Feb. 28, 2019]. Retrieved from url:<https://www.newegg.com/Product/Product.aspx?Item=9SIABMT8CK6559> (Year: 2019).*

* cited by examiner

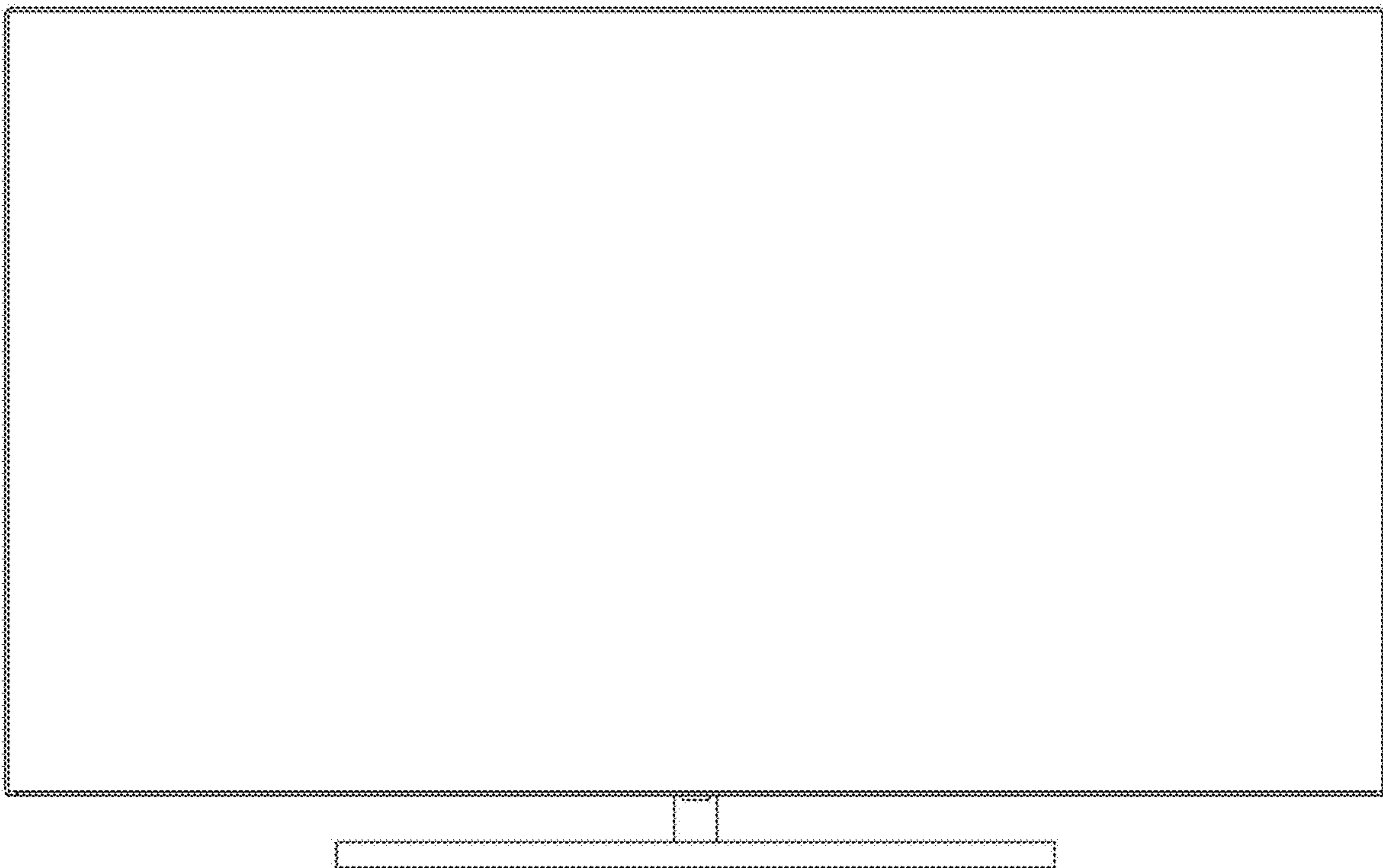
1.1



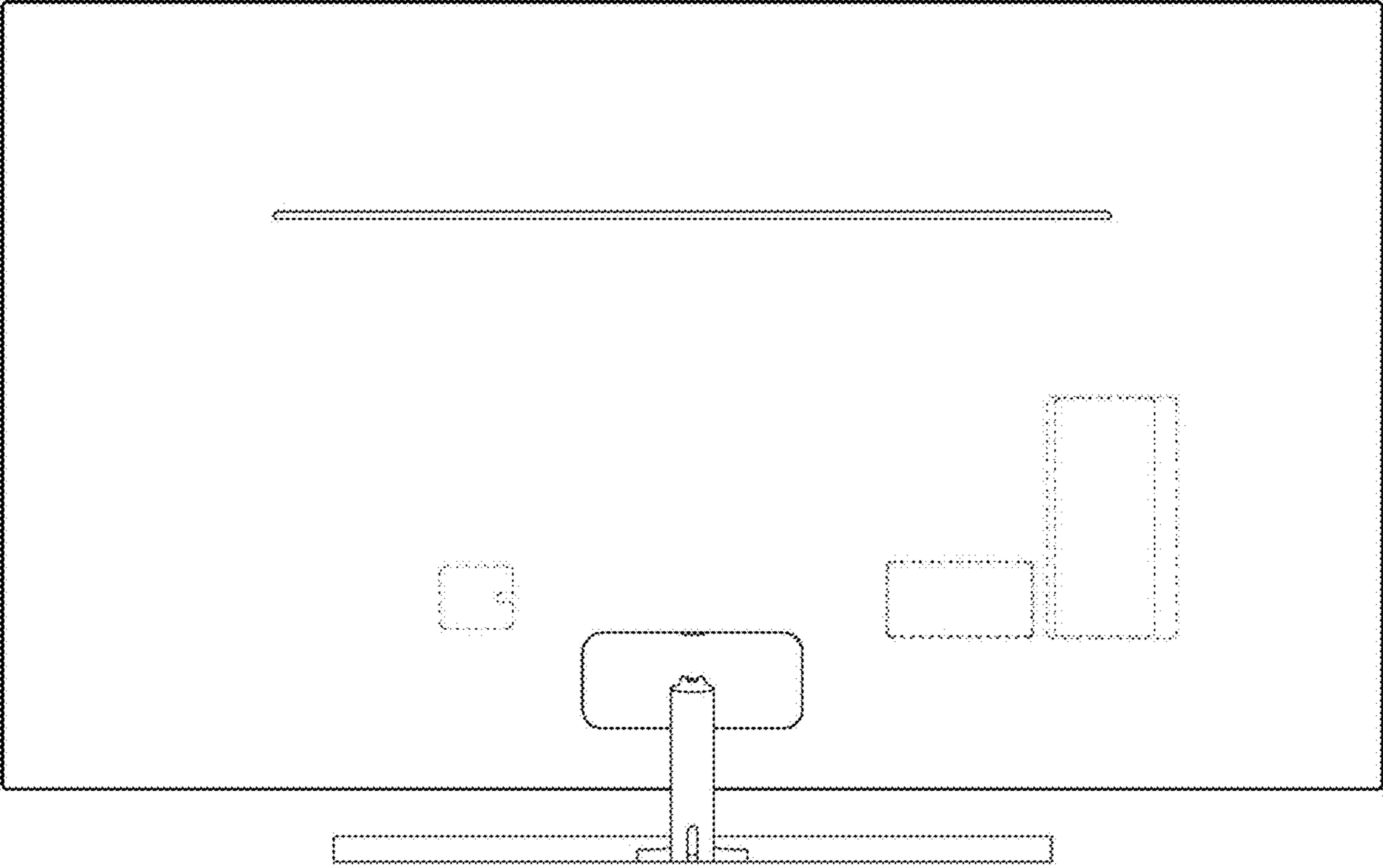
1.2



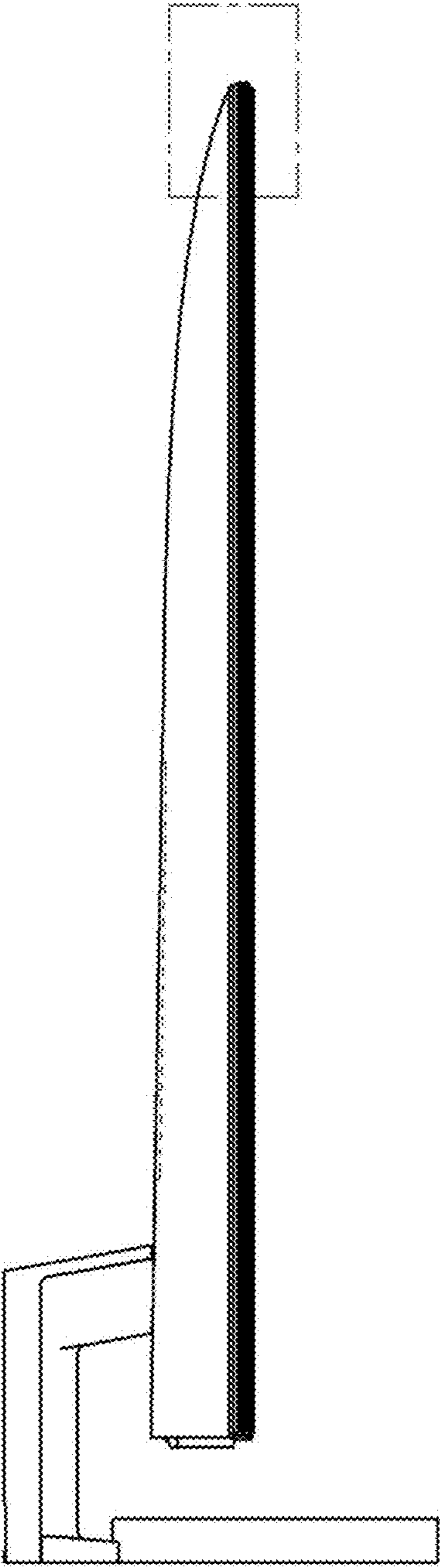
1.3



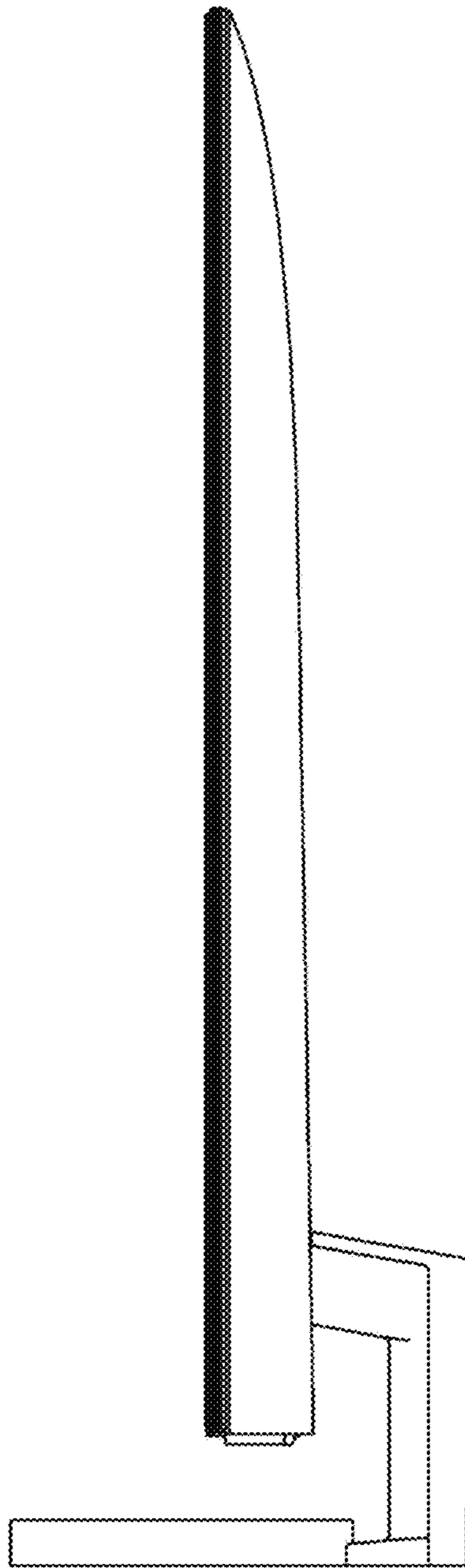
1.4



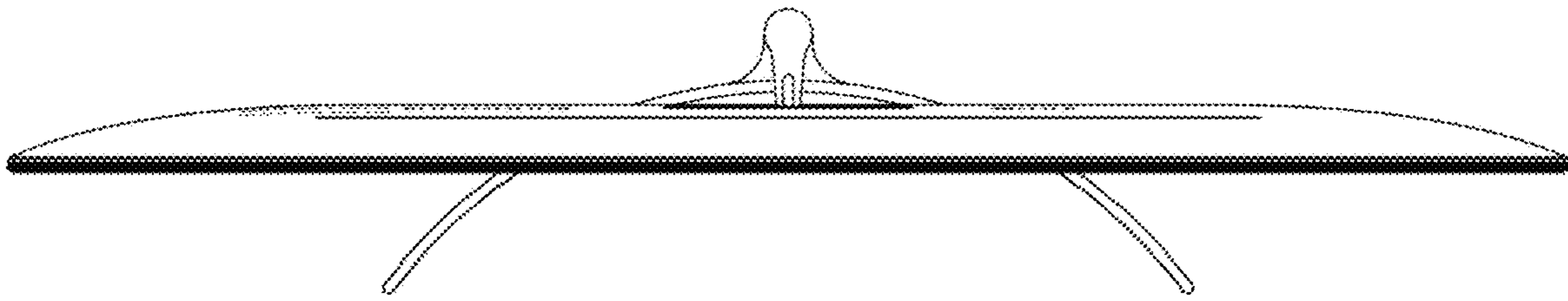
1.5



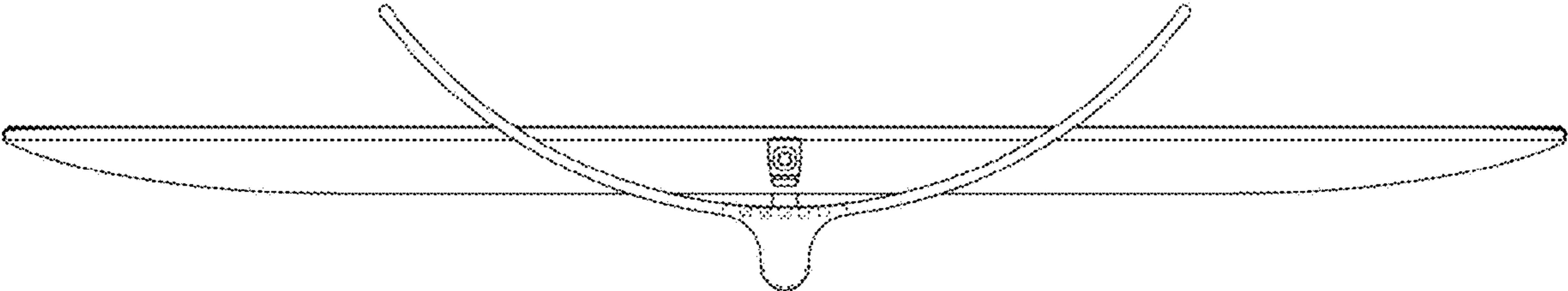
1.6

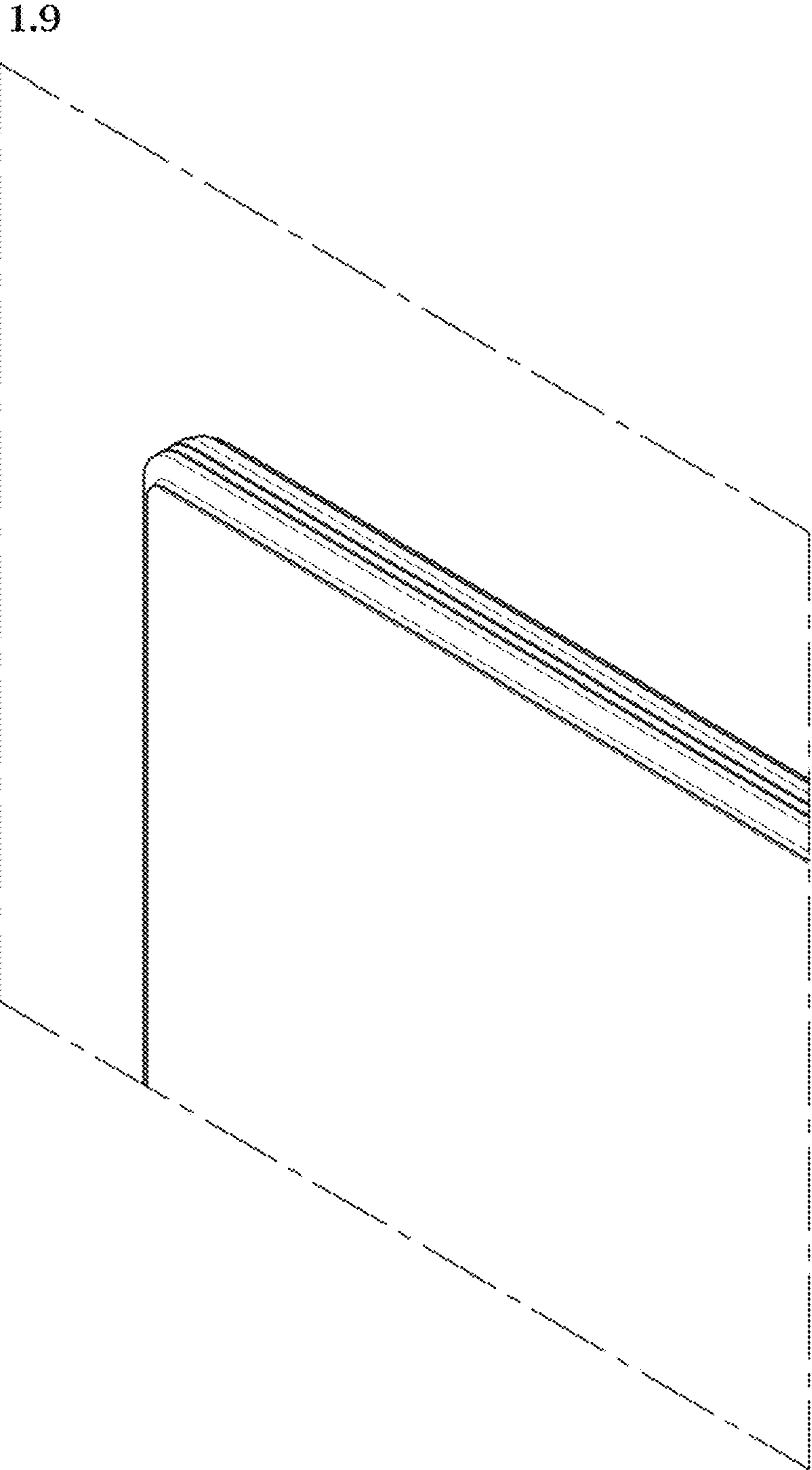


1.7



1.8





1.10

