



US00D860959S

(12) **United States Design Patent** (10) **Patent No.:** **US D860,959 S**
Seflic et al. (45) **Date of Patent:** **** Sep. 24, 2019**

(54) **MEDIA EXTENDER DEVICE**

(71) Applicant: **Amazon Technologies, Inc.**, Seattle, WA (US)
(72) Inventors: **Matthew Michael Seflic**, San Jose, CA (US); **Christopher Green**, San Francisco, CA (US); **Marc Rene Walliser**, San Francisco, CA (US)
(73) Assignee: **Amazon Technologies, Inc.**, Seattle, WA (US)
(**) Term: **15 Years**

(21) Appl. No.: **29/674,282**
(22) Filed: **Dec. 20, 2018**

Related U.S. Application Data

(60) Division of application No. 29/608,237, filed on Jun. 20, 2017, now Pat. No. Des. 844,578, which is a continuation-in-part of application No. 29/572,562, filed on Jul. 28, 2016.

(51) **LOC (12) Cl.** **14-03**
(52) **U.S. Cl.**
USPC **D14/125**; D14/496; D14/358

(58) **Field of Classification Search**
USPC D14/356, 357, 358, 361, 362, 365, 367, D14/370, 388, 389, 432, 434, 216, 217, D14/218, 240, 242, 299, 125, 129, 130, D14/140, 155, 168, 188, 496, 474, 483, D14/484, 203.1, 203.3, 203.6, 238.1, 167; D13/103, 107, 108, 123, 152, 162, 162.1, D13/163, 168, 184, 199; D10/104.1, D10/106.6, 116.1, 61, 64, 75
CPC ... H04W 88/08; H04W 88/085; H04W 88/00; H04W 88/005; H04W 88/02; H04W 88/12; H04W 88/14; H04W 88/16; H04W 88/18; H04W 4/00; H01Q 1/02; H01Q 1/2291; H01Q 1/246; H04B 1/38
See application file for complete search history.

(56) **References Cited**

U.S. PATENT DOCUMENTS

| | | | |
|--------------|---------|------------------|---------|
| D194,604 S | 2/1963 | Caldwell, Jr. | |
| D227,014 S | 5/1973 | Ardolino | |
| D262,626 S | 1/1982 | Genaro et al. | |
| D270,531 S | 9/1983 | Ekuan | |
| D304,823 S | 11/1989 | Pfeifer et al. | |
| D310,998 S | 10/1990 | Lee et al. | |
| D313,230 S * | 12/1990 | Isaacs | D14/125 |
| D315,722 S | 3/1991 | Imamura et al. | |
| D320,007 S | 9/1991 | Leverault et al. | |
| D323,818 S * | 2/1992 | Willis | D14/353 |

(Continued)

OTHER PUBLICATIONS

Indian Office Action dated Dec. 5, 2017 for Indian design application No. 299306, a counterpart foreign application of Design U.S. Appl. No. 29/608,237, 11 pages.

Primary Examiner — Marie D. Fast Horse
(74) *Attorney, Agent, or Firm* — Lee & Hayes, P.C.

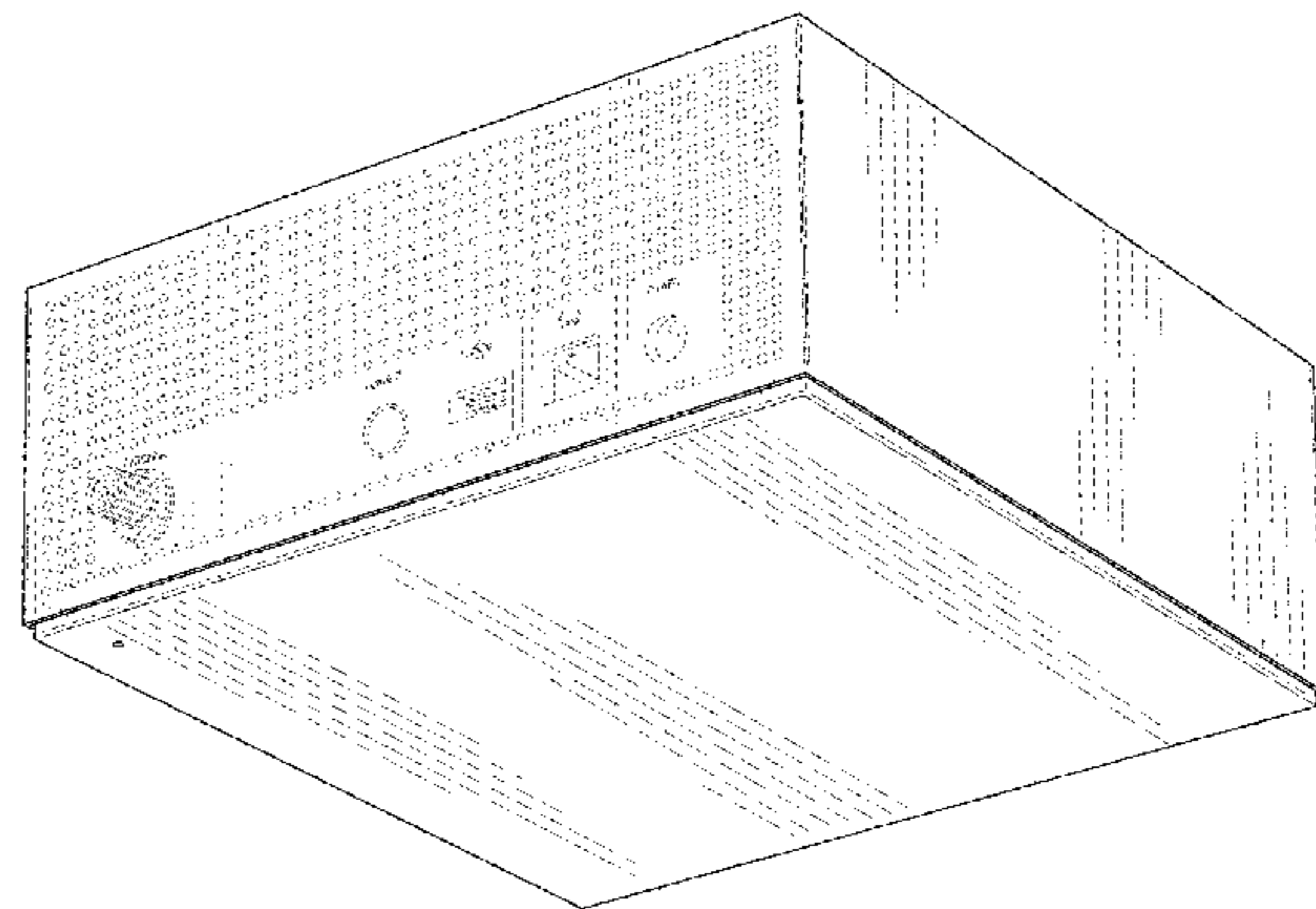
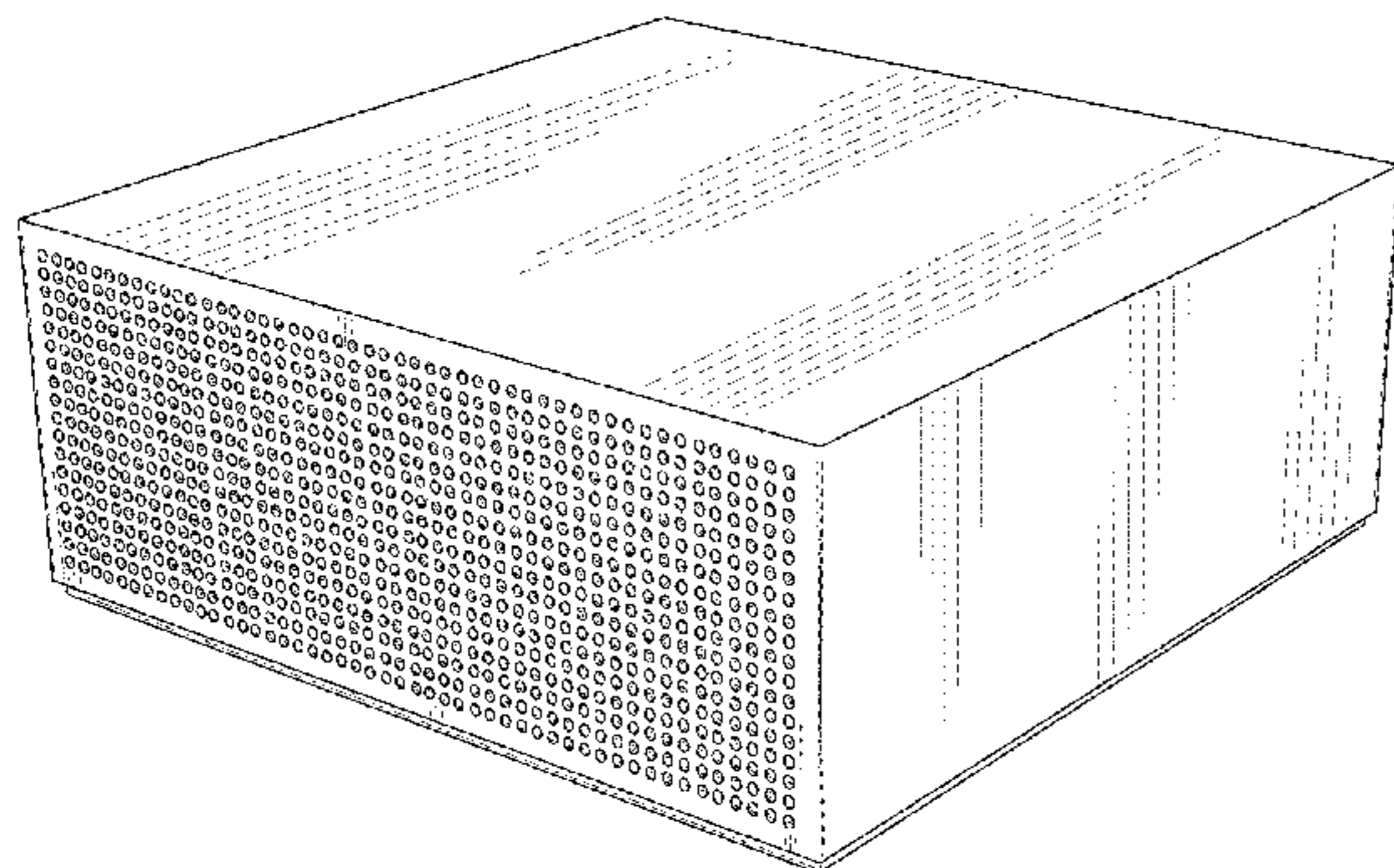
(57) **CLAIM**

The ornamental design for a media extender device, as shown and described.

DESCRIPTION

FIG. 1 is a top perspective view of a media extender device; FIG. 2 is a bottom perspective view thereof; FIG. 3 is a front view thereof; FIG. 4 is a back view thereof; FIG. 5 is a left-side view thereof; FIG. 6 is a right-side view thereof; FIG. 7 is a top view thereof; and, FIG. 8 is a bottom view thereof. The broken lines depict portions of the media extender device that form no part of the claimed design.

1 Claim, 8 Drawing Sheets



(56)

References Cited

U.S. PATENT DOCUMENTS

| | | | | | | |
|------------|---------|-------------------|------------|-----------|-------------------|---------|
| D336,748 S | 6/1993 | Luhrs | D726,690 S | 4/2015 | Andre et al. | |
| D421,255 S | 2/2000 | Hisatsune et al. | D728,539 S | 5/2015 | Dubrulle et al. | |
| D433,393 S | 11/2000 | Hisatsune | D737,827 S | 9/2015 | Tseng | |
| D470,119 S | 2/2003 | Ota | D738,755 S | 9/2015 | Druce | |
| D473,200 S | 4/2003 | Isshiki | D742,884 S | 11/2015 | Seflic et al. | |
| D487,888 S | 3/2004 | Henderson | D744,483 S | 12/2015 | Barbu et al. | |
| D513,502 S | 1/2006 | Isshiki | D744,541 S | * 12/2015 | Langhammer | D14/496 |
| D516,055 S | 2/2006 | Chen et al. | D755,735 S | 5/2016 | Kashimoto | |
| D525,266 S | 7/2006 | Smith | D757,710 S | 5/2016 | Donachy et al. | |
| D526,648 S | 8/2006 | Andre et al. | D762,648 S | 8/2016 | Akana et al. | |
| D533,177 S | 12/2006 | Andre et al. | D762,649 S | 8/2016 | Akana et al. | |
| D537,817 S | 3/2007 | Andre et al. | D762,650 S | 8/2016 | Dang et al. | |
| D542,288 S | 5/2007 | Andre et al. | D763,205 S | 8/2016 | Kashimoto | |
| D563,994 S | 3/2008 | Liu et al. | D763,262 S | 8/2016 | Hallar et al. | |
| D568,337 S | 5/2008 | An | D766,984 S | * 9/2016 | Chatterjee | D14/496 |
| D584,728 S | 1/2009 | Park et al. | D766,985 S | * 9/2016 | Chatterjee | D14/496 |
| D592,663 S | 5/2009 | Ohno | D768,607 S | 10/2016 | Altonen et al. | |
| D596,621 S | 7/2009 | Andre et al. | D777,683 S | * 1/2017 | Kashimoto | D13/168 |
| D596,626 S | 7/2009 | Andre et al. | D778,956 S | * 2/2017 | Langhammer | D14/496 |
| D597,087 S | 7/2009 | Herbst et al. | D780,137 S | 2/2017 | Tallqvist | |
| D601,583 S | 10/2009 | Andre et al. | D781,794 S | 3/2017 | Gargani et al. | |
| D606,523 S | 12/2009 | Herbst et al. | D783,619 S | 4/2017 | Couture et al. | |
| D620,953 S | 8/2010 | Andre et al. | D790,539 S | * 6/2017 | Lee | D14/240 |
| D648,707 S | 11/2011 | Akana et al. | D791,297 S | 7/2017 | Ljungstrom et al. | |
| D649,541 S | 11/2011 | Morenstein et al. | D793,888 S | 8/2017 | Hasegawa | |
| D671,925 S | 12/2012 | Tsuda et al. | D796,461 S | 9/2017 | Ruppert et al. | |
| D672,734 S | 12/2012 | Chou et al. | D807,841 S | 1/2018 | Lee et al. | |
| D675,173 S | 1/2013 | Paradise et al. | D810,044 S | 2/2018 | Ohmachi | |
| D676,005 S | 2/2013 | Wood et al. | D820,798 S | 6/2018 | Yurusov | |
| D686,595 S | 7/2013 | Andre et al. | D824,351 S | 7/2018 | Kim et al. | |
| D687,068 S | 7/2013 | Paradise et al. | D826,334 S | 8/2018 | Christie et al. | |
| D689,051 S | 9/2013 | Lee et al. | D826,336 S | 8/2018 | Christie et al. | |
| | | | D831,597 S | * 10/2018 | Lee | D14/125 |
| | | | D842,847 S | * 3/2019 | Walliser | D14/240 |
| | | | D844,578 S | * 4/2019 | Seflic | D14/125 |

* cited by examiner

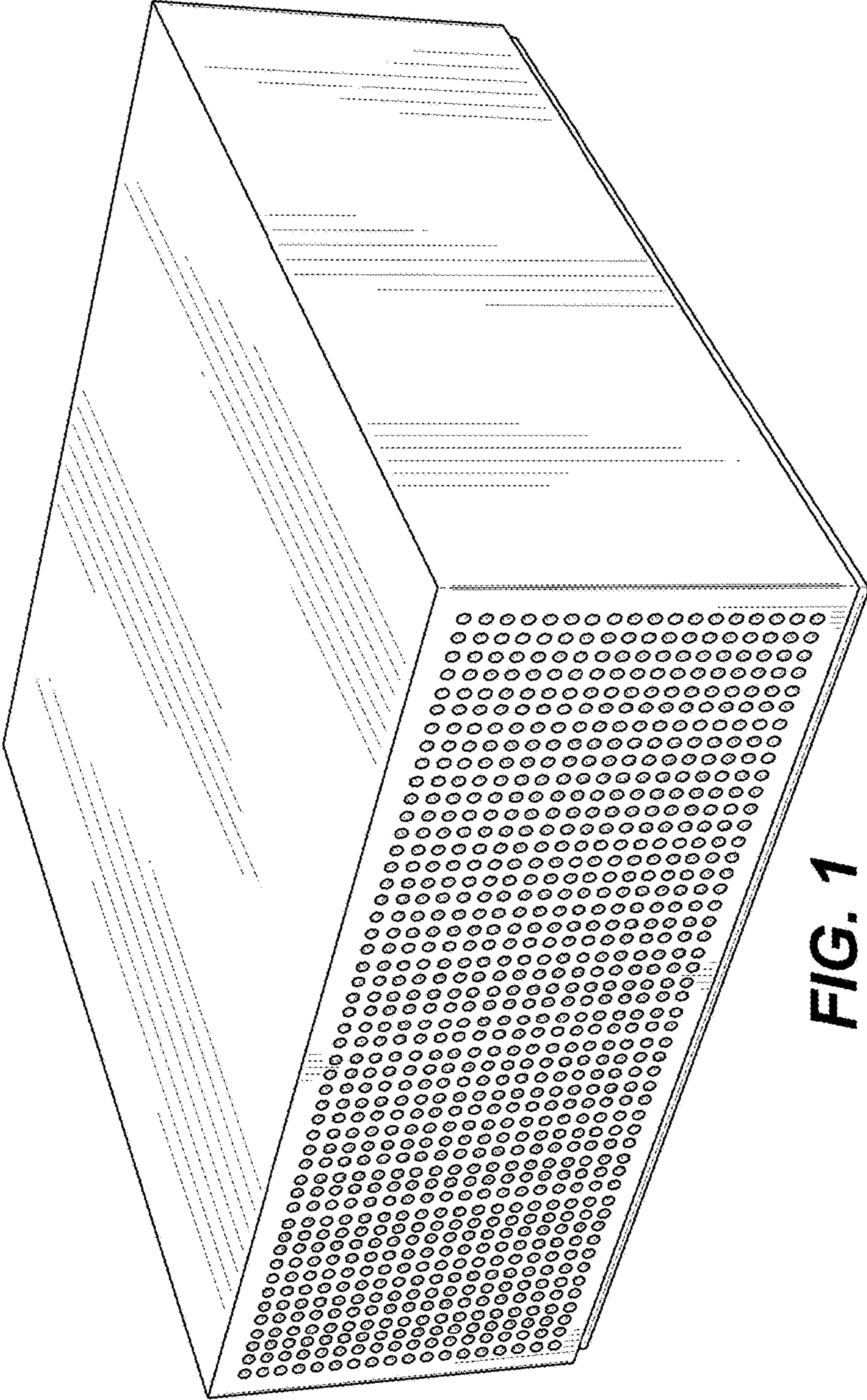


FIG. 1

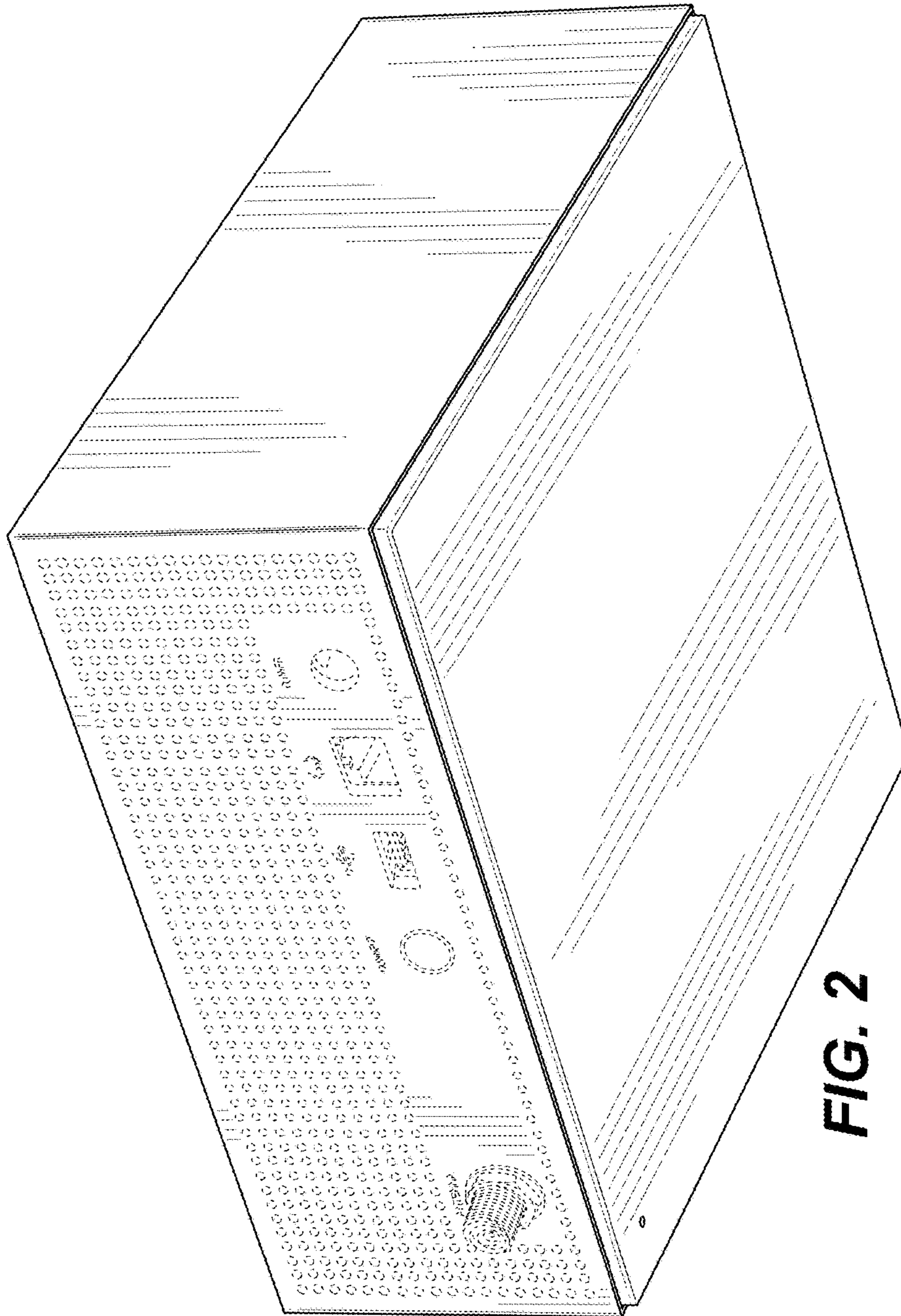


FIG. 2

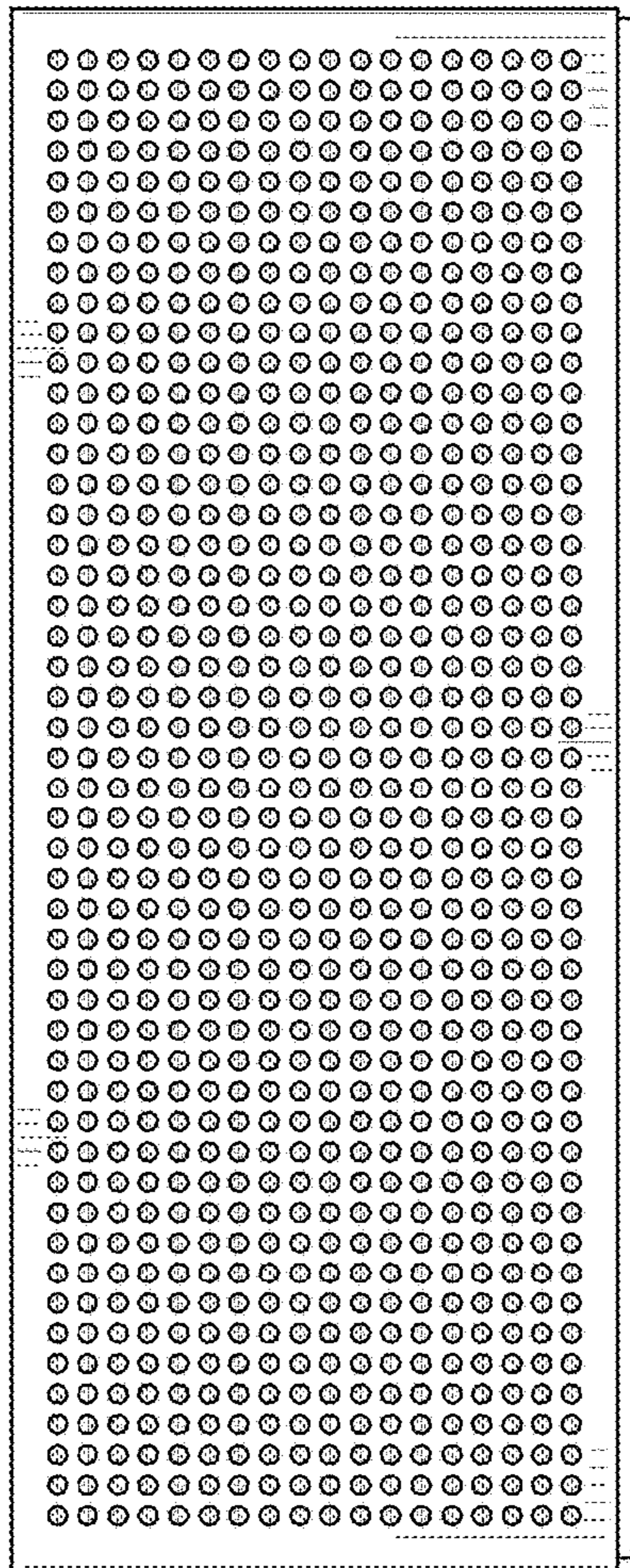


FIG. 3

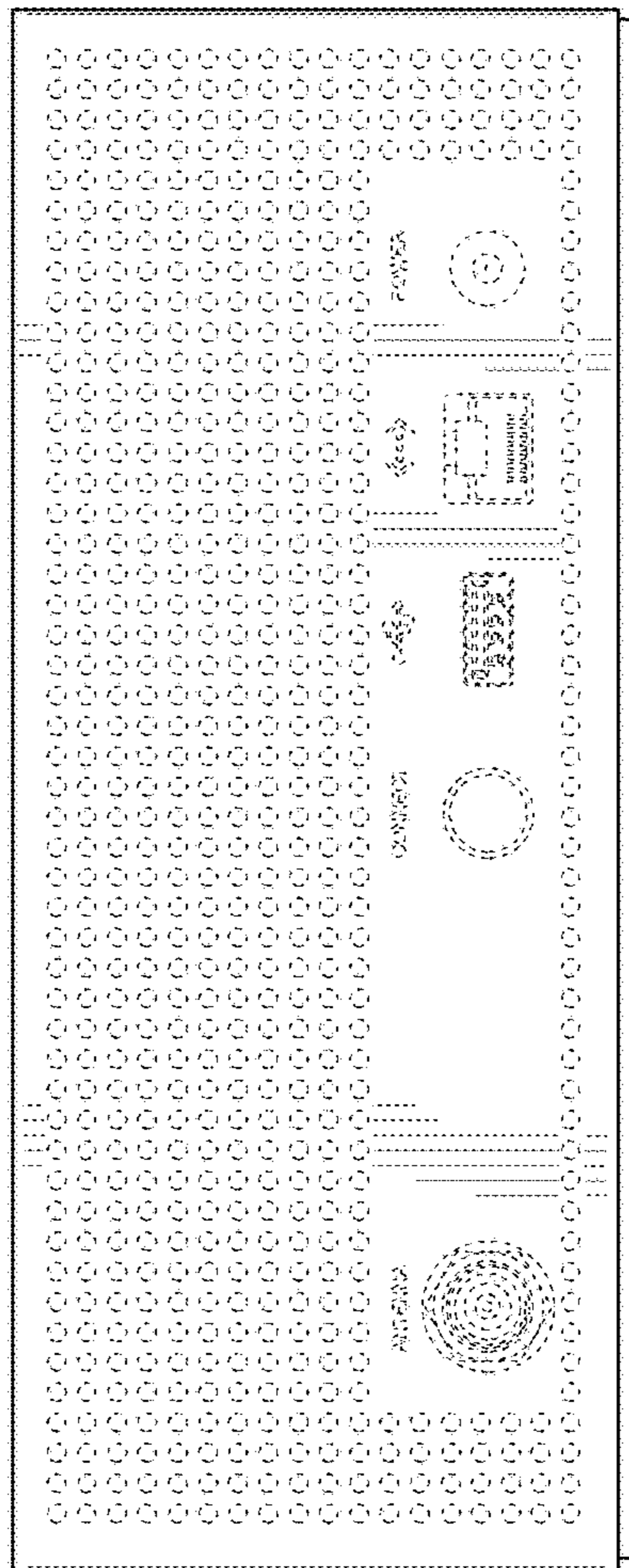


FIG. 4

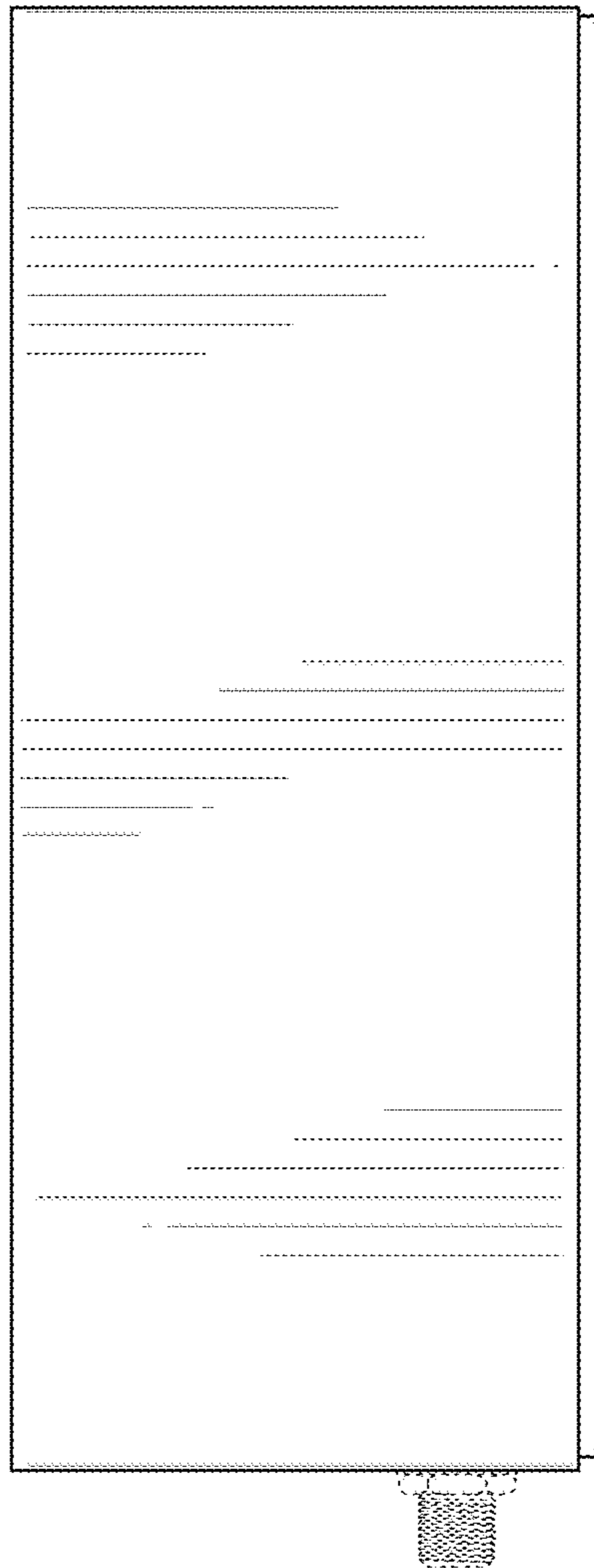


FIG. 5

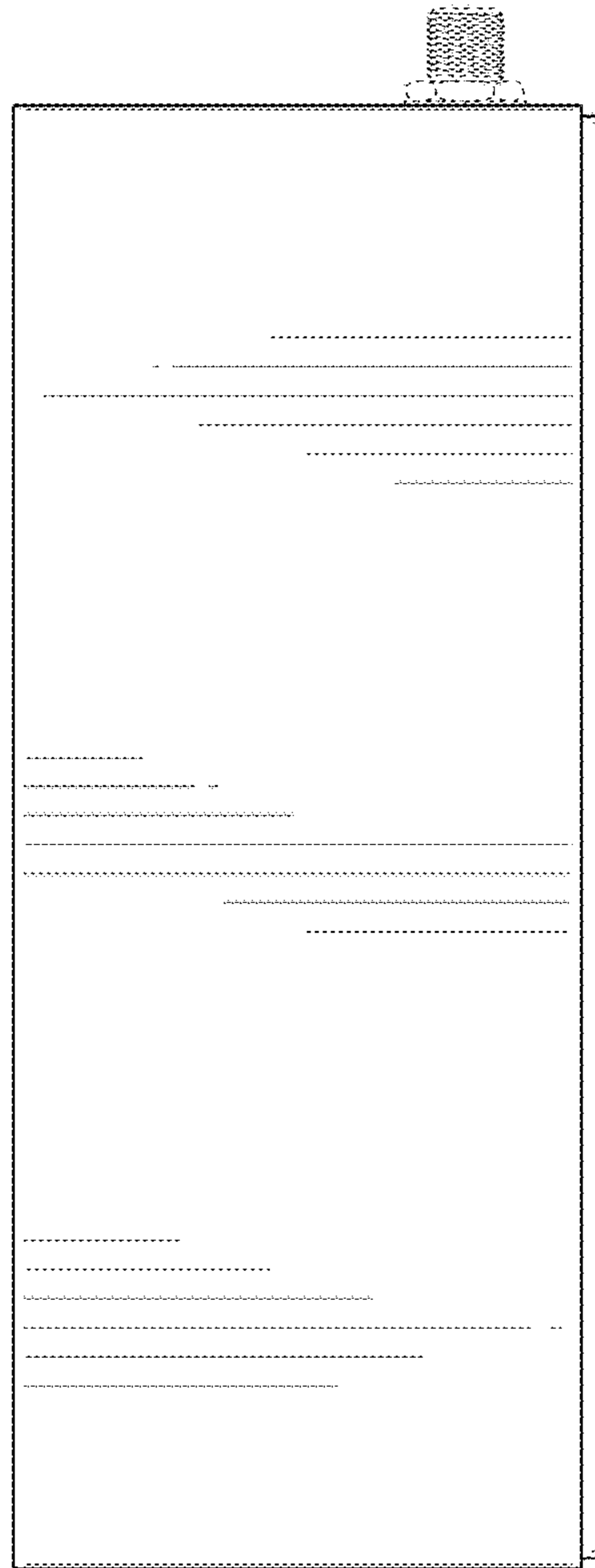


FIG. 6

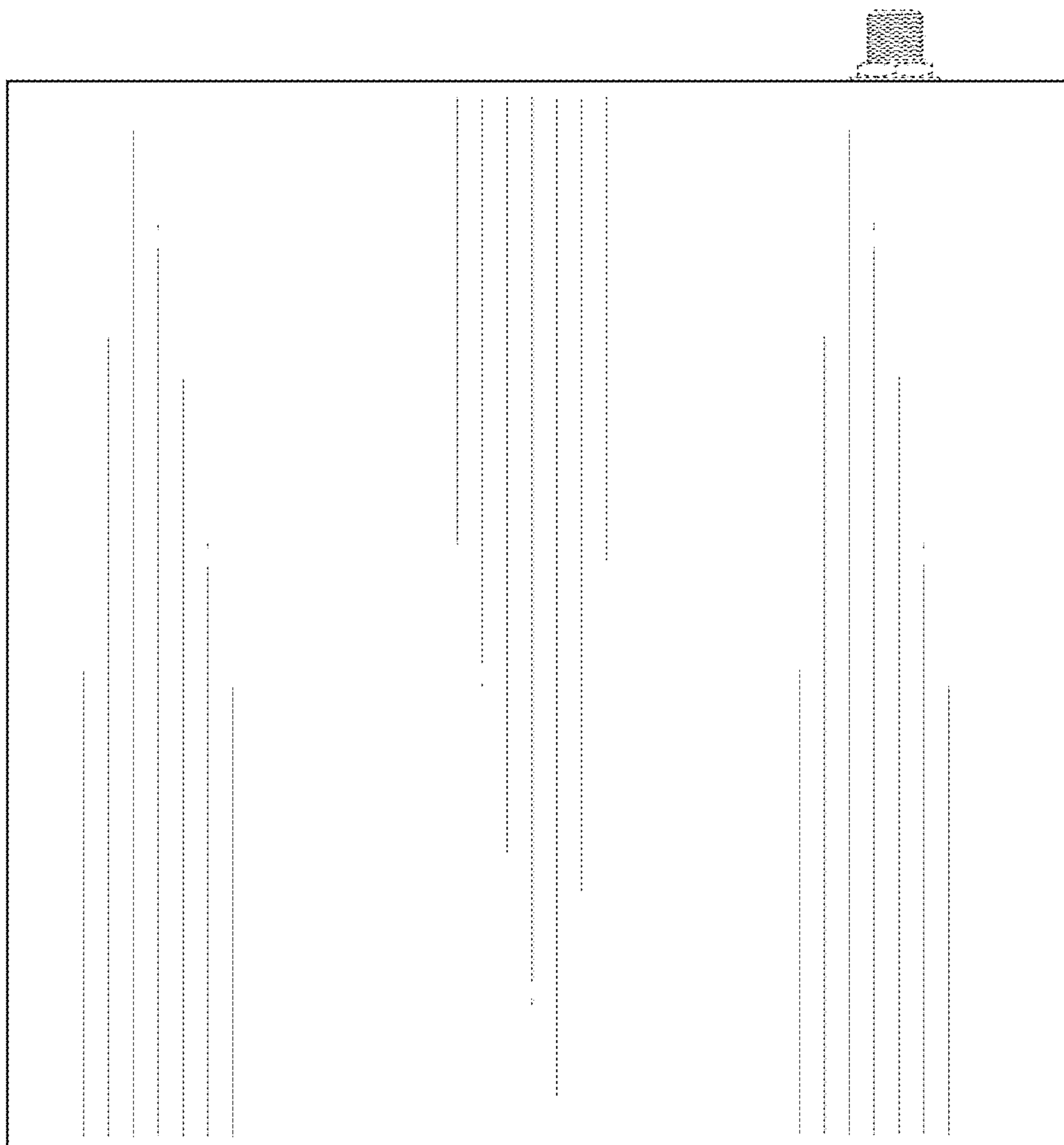


FIG. 7

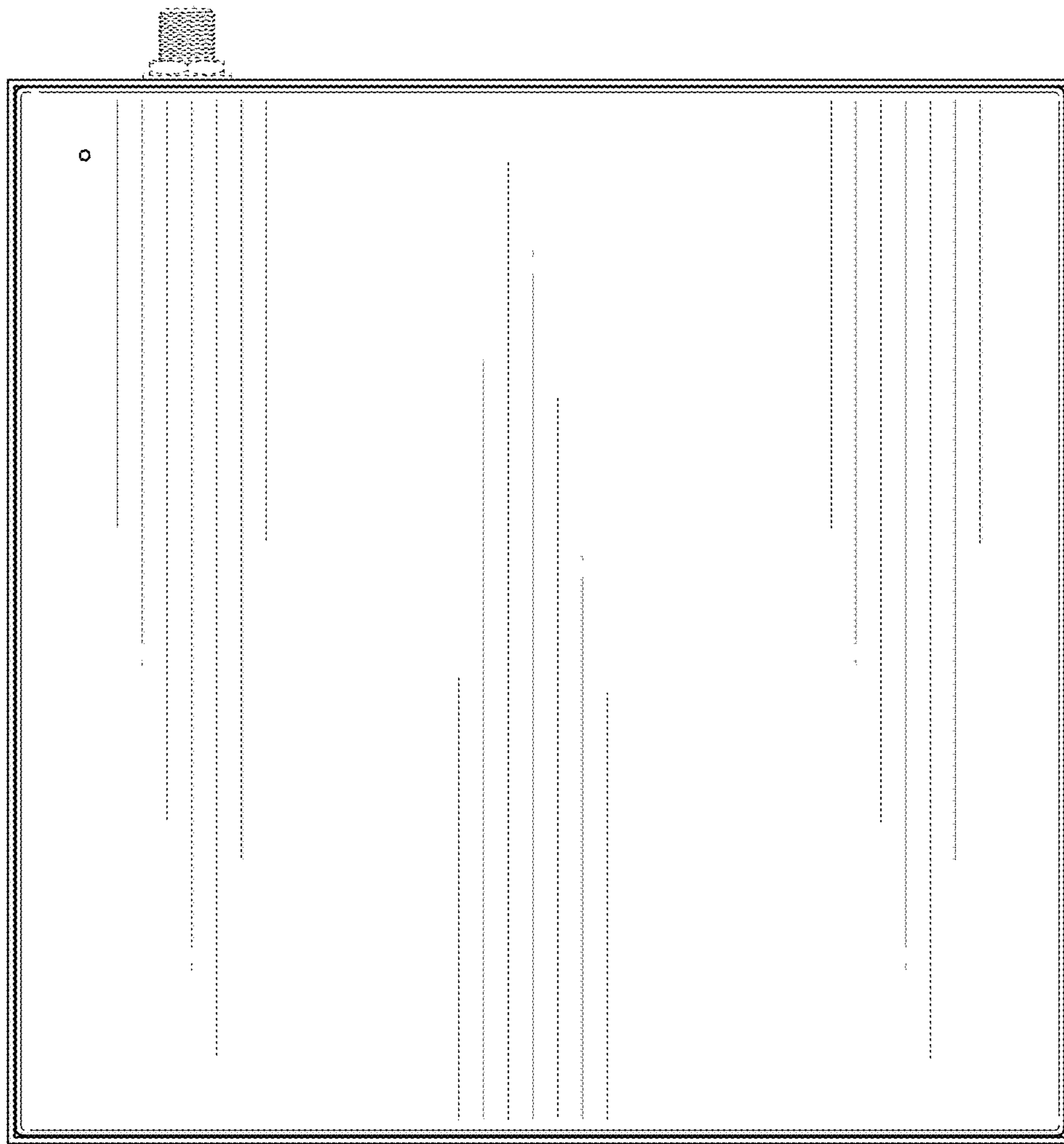


FIG. 8