

US00D860958S

(12) **United States Design Patent** (10) **Patent No.:** **US D860,958 S**
Lewis et al. (45) **Date of Patent:** **** Sep. 24, 2019**

(54) **POWER TRANSFER MODULE HOUSING**

(71) Applicant: **Hanchett Entry Systems, Inc.**,
Phoenix, AZ (US)

(72) Inventors: **Robert W. Lewis**, Tempe, AZ (US);
Scott P. Sullivan, Glendale, AZ (US);
Leland J. Hanchett, Jr., Falmouth, ME
(US)

(73) Assignee: **Hanchett Entry Systems, Inc.**,
Phoenix, AZ (US)

6,470,739	B1	10/2002	Matsumura	
D627,727	S	11/2010	Alexander	
D628,156	S	11/2010	Alexander	
9,081,112	B1	7/2015	Howell	
D758,325	S *	6/2016	Cook D13/168
D788,046	S	5/2017	Oksengendler	
D788,603	S	6/2017	Liu	
D790,556	S	6/2017	Heath	
9,702,992	B2	7/2017	Avenson	
D794,577	S	8/2017	Hoffknecht	
D794,578	S	8/2017	Oksengendler	
9,724,028	B2	8/2017	Brauker	
9,724,578	B2	8/2017	Zhao	
D812,024	S *	3/2018	Lewis D13/184

(**) Term: **15 Years**

(21) Appl. No.: **29/634,236**

(22) Filed: **Jan. 19, 2018**

* cited by examiner

Primary Examiner — Janice Hallmark

Assistant Examiner — Harold E Blackwell, II

(74) *Attorney, Agent, or Firm* — Ronald J. Kisicki, Esq.;
Woods Oviatt Gilman, LLP

Related U.S. Application Data

(62) Division of application No. 29/523,833, filed on Apr.
14, 2015, now Pat. No. Des. 812,024.

(51) **LOC (12) Cl.** **13-03**

(52) **U.S. Cl.**
USPC **D13/184**

(58) **Field of Classification Search**
USPC D13/133, 183, 156, 158, 162, 184;
D14/358
CPC E05B 15/02; E05B 15/0205; E05B 15/024;
H01H 23/163; H01H 15/04; H01H 15/06
See application file for complete search history.

(56) **References Cited**

U.S. PATENT DOCUMENTS

D308,647 S * 6/1990 Mayo D10/104.1
5,860,715 A 1/1999 Lohde

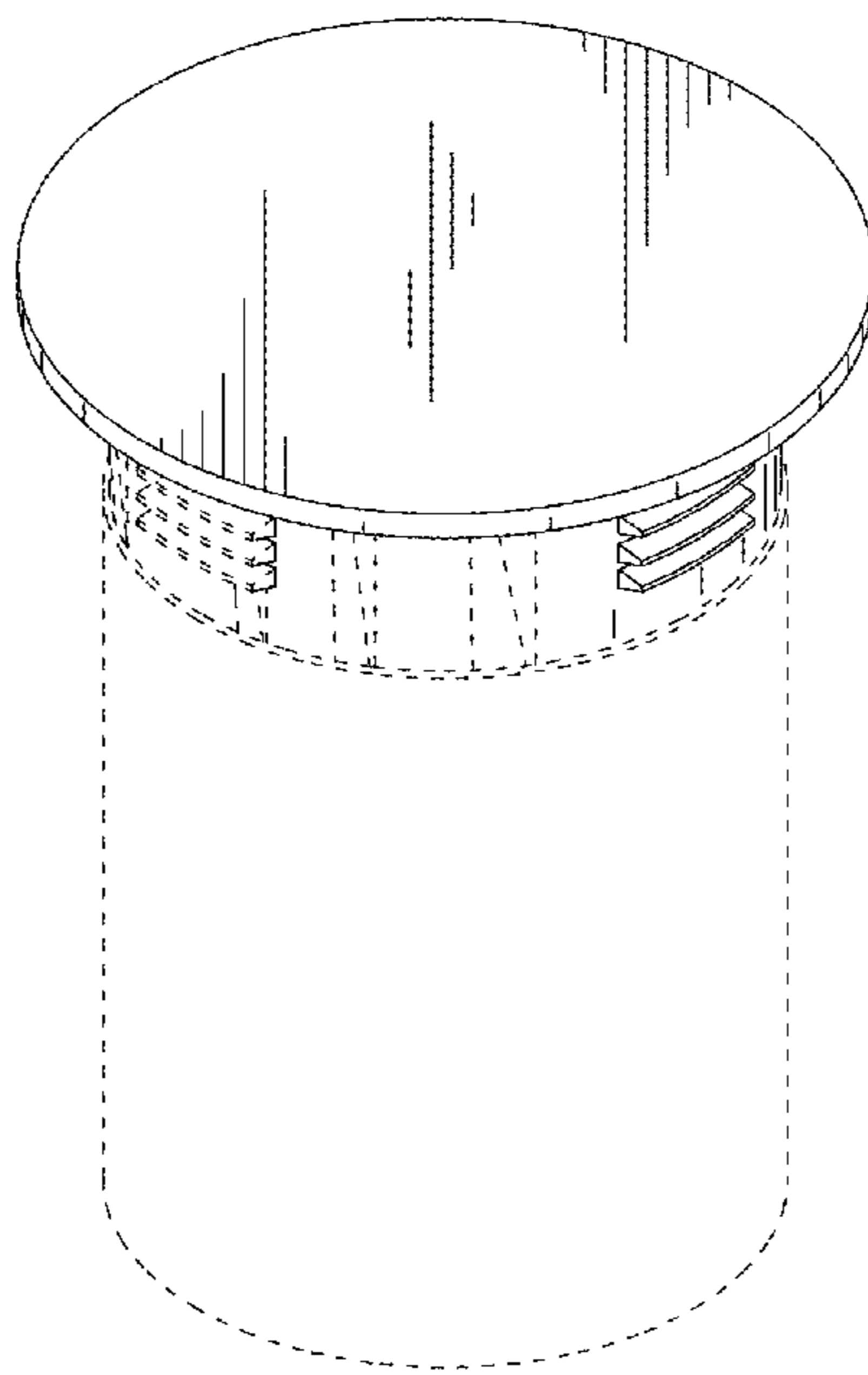
(57) **CLAIM**

The ornamental design for the power transfer module hous-
ing, as shown and described.

DESCRIPTION

FIG. 1 is a front right perspective view of a power transfer
module housing, showing our new design;
FIG. 2 is a right side view thereof;
FIG. 3 is a front view thereof;
FIG. 4 is a left side view thereof;
FIG. 5 is a back view thereof;
FIG. 6 is a bottom view thereof; and,
FIG. 7 is a top view thereof.
The broken lines in the drawings depict portions of the
power transfer module housing that form no part of the
claimed design.

1 Claim, 4 Drawing Sheets



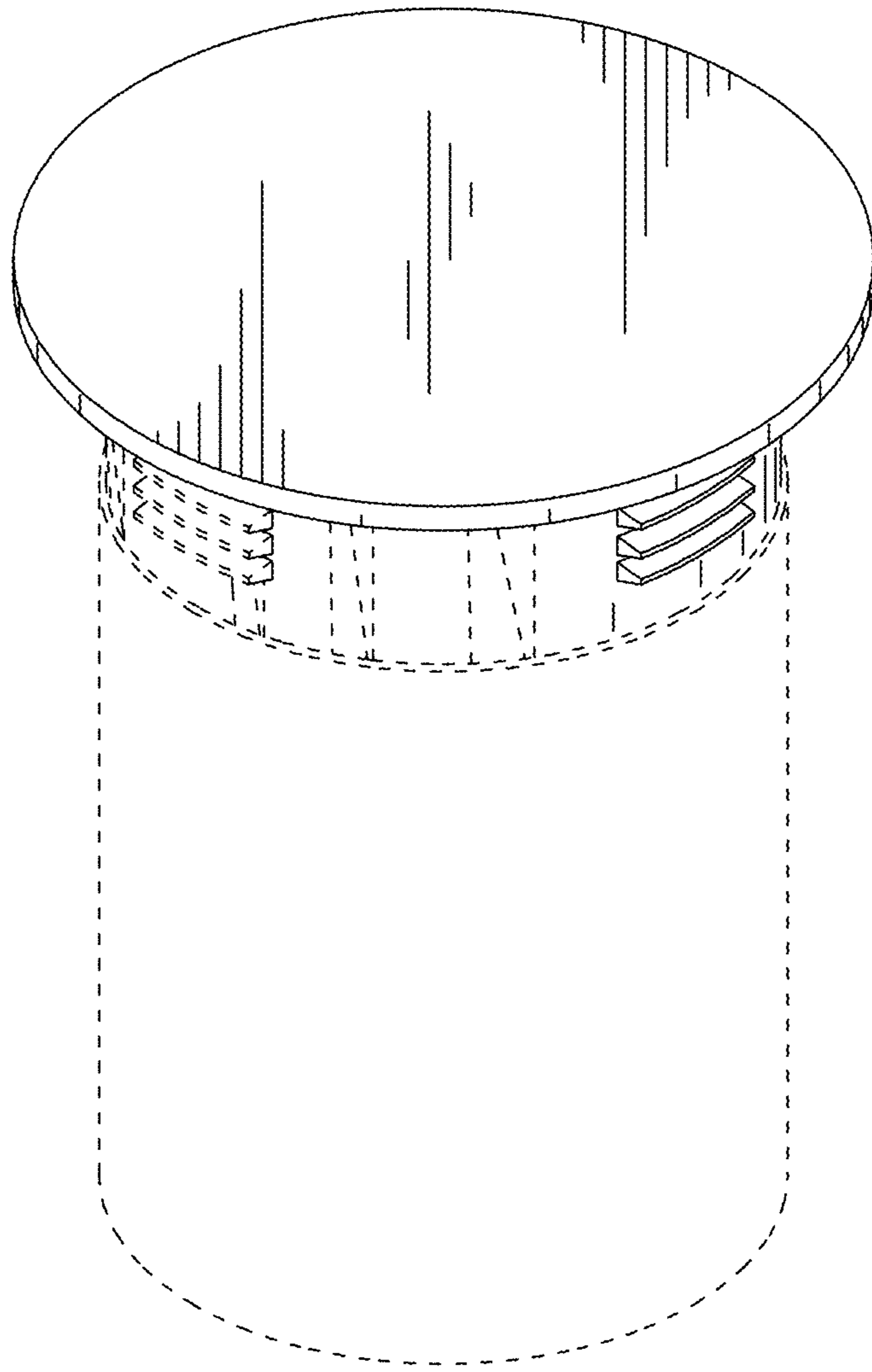


FIG. 1.

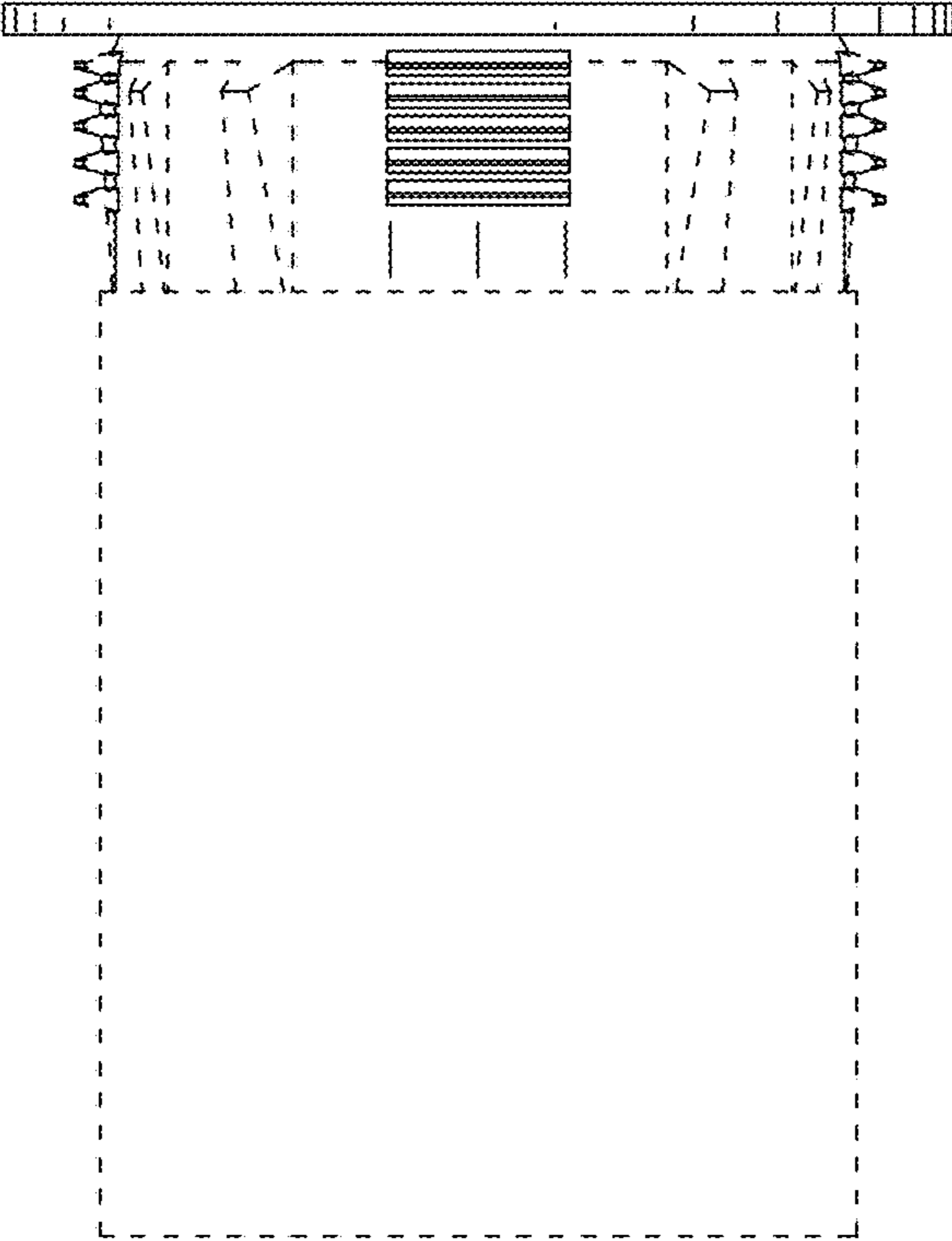


FIG. 2.

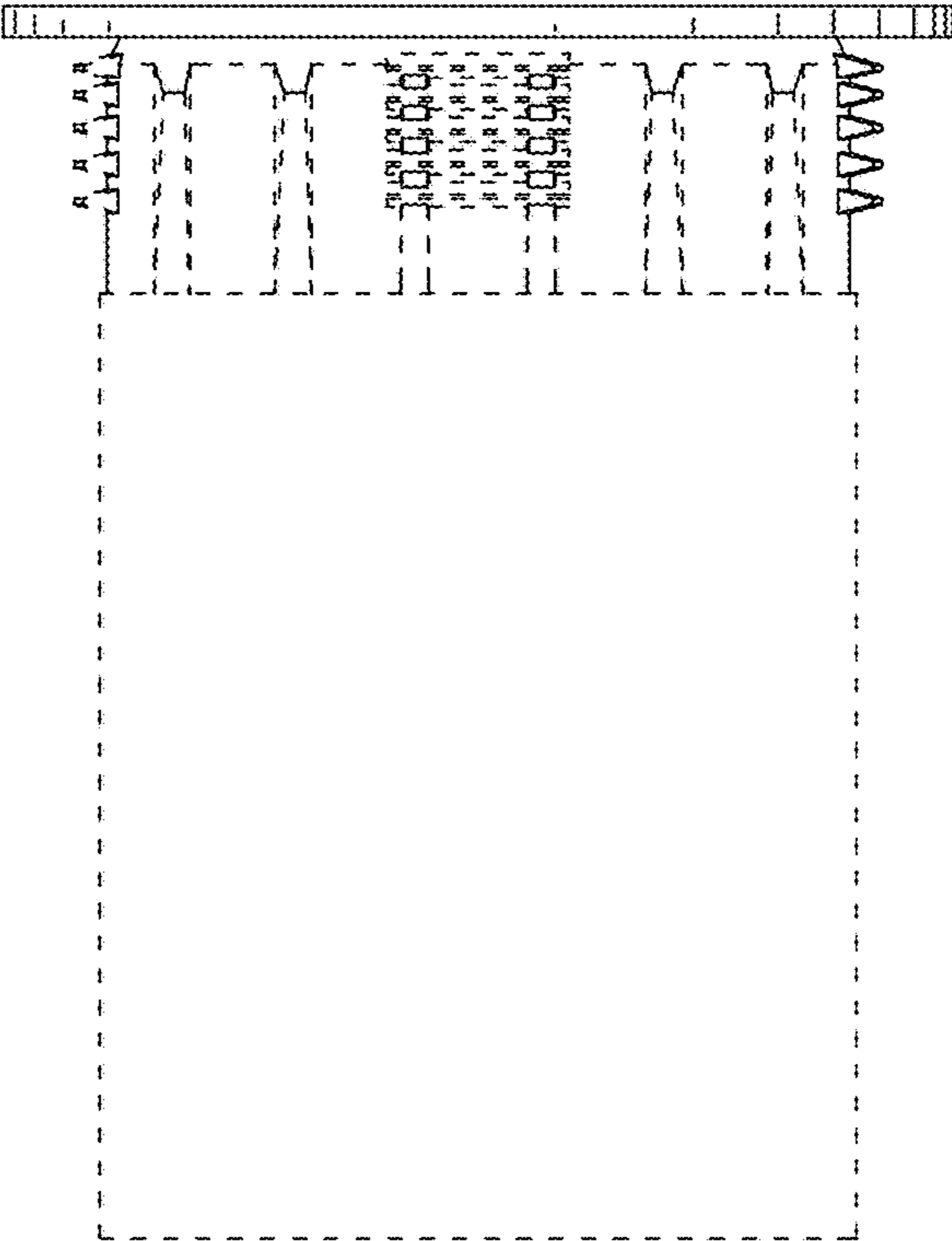


FIG. 3.

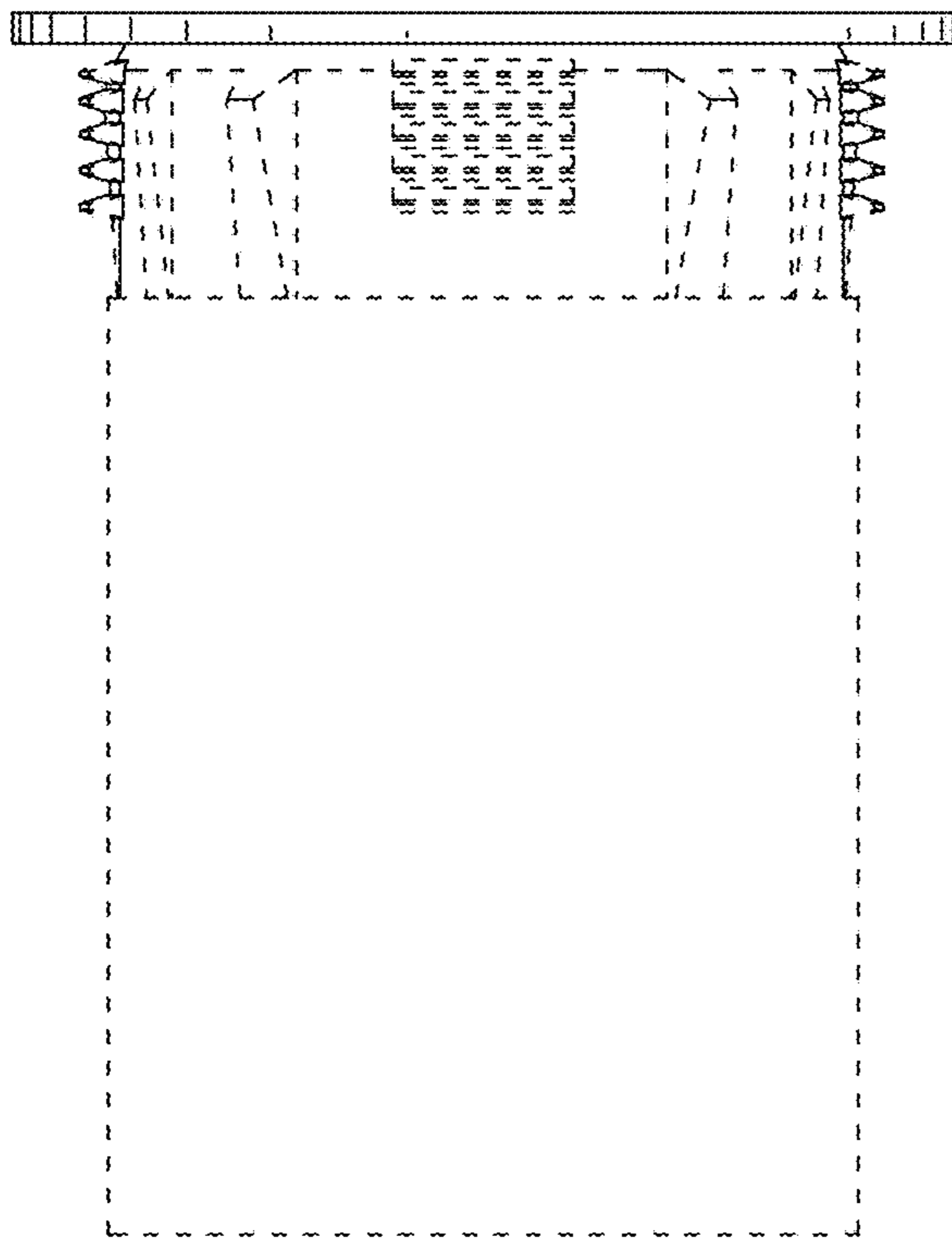


FIG. 4.

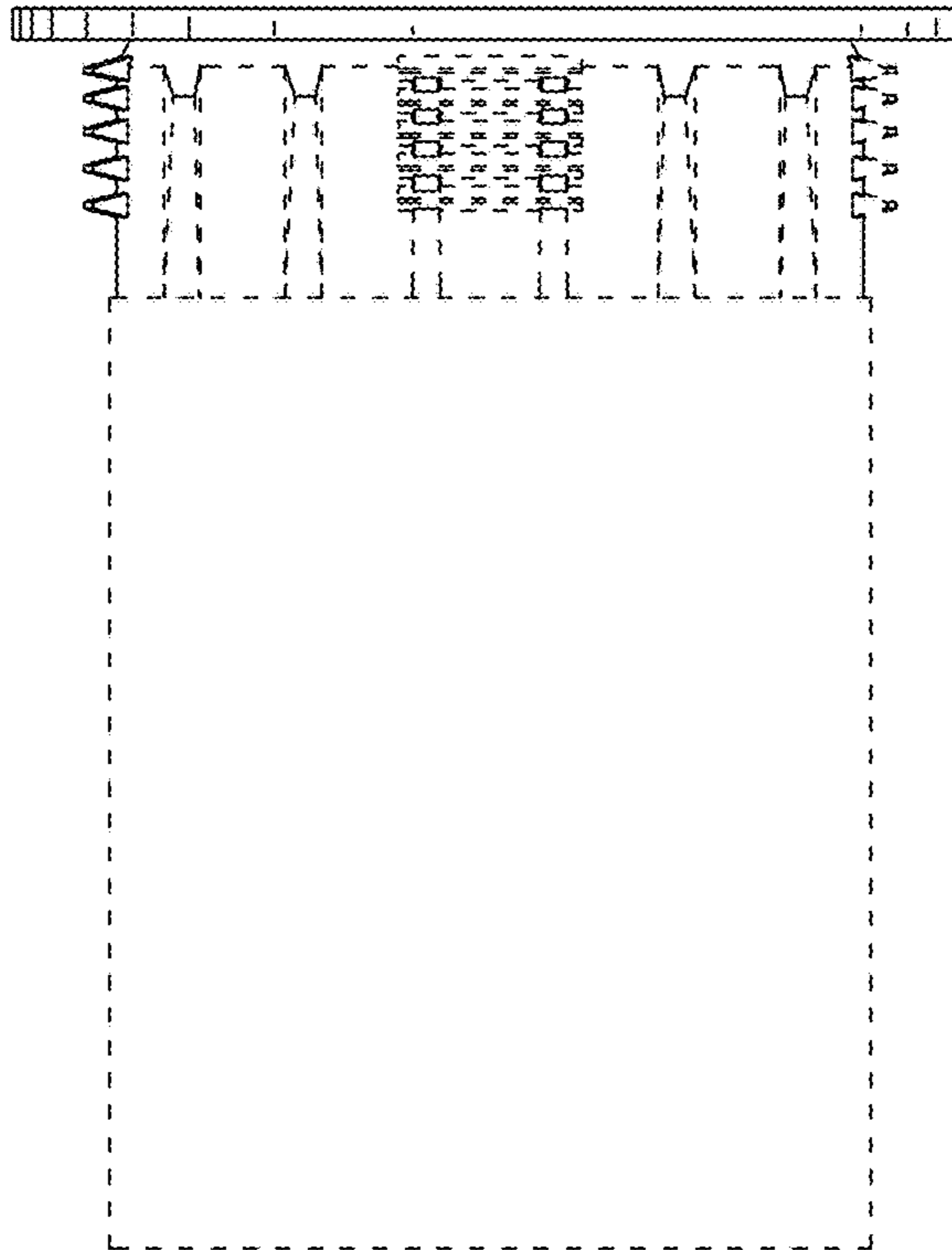


FIG. 5.

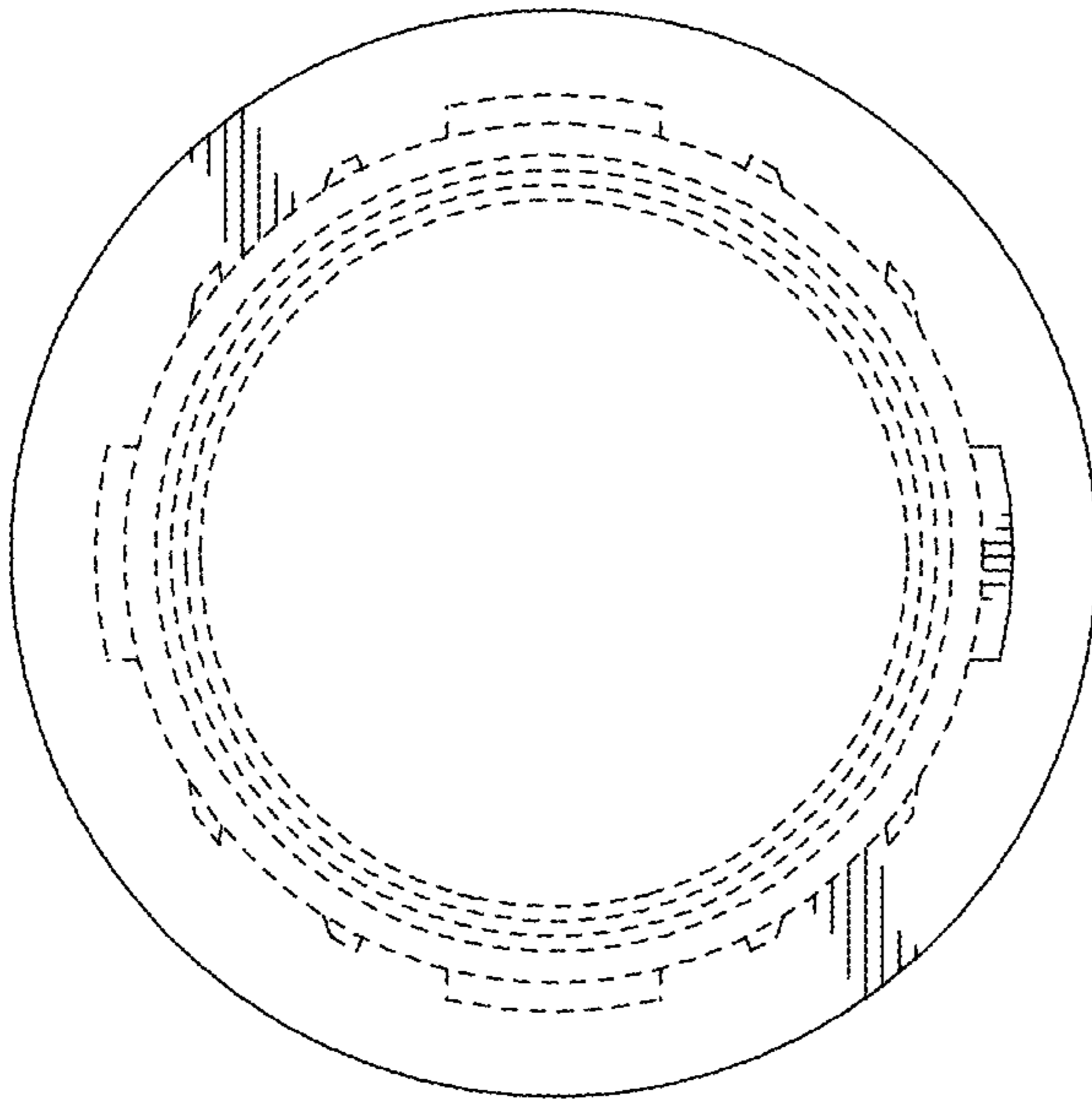


FIG. 6.

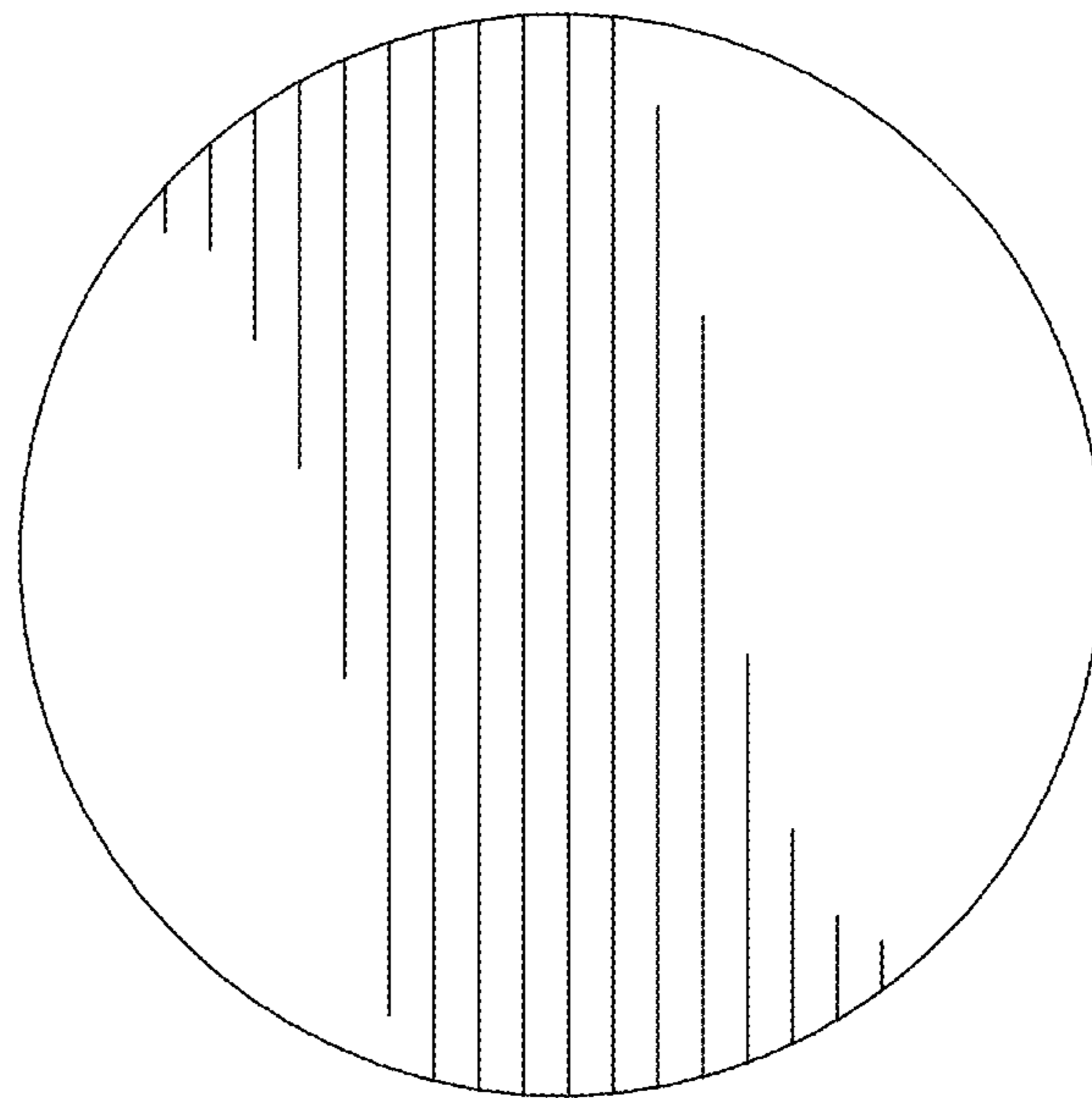


FIG. 7.