



US00D860948S

(12) **United States Design Patent**
Wang

(10) **Patent No.:** **US D860,948 S**

(45) **Date of Patent:** **** Sep. 24, 2019**

- (54) **ADAPTER**
- (71) Applicant: **Guangdong Global Egrow (Zhaoqing) Cross-Border E-Commerce Co., Ltd., Guangdong (CN)**
- (72) Inventor: **Hao Wang, Heilongjiang (CN)**
- (73) Assignee: **Guangdong Global Egrow (Zhaoqing) Cross-Border E-Commerce Co., Ltd., Guangdong (CN)**
- (**) Term: **15 Years**
- (21) Appl. No.: **29/655,229**
- (22) Filed: **Jul. 1, 2018**
- (51) **LOC (12) Cl.** **13-03**
- (52) **U.S. Cl.**
USPC **D13/137.2**
- (58) **Field of Classification Search**
USPC D13/107, 108, 110, 123, 133,
D13/137.1–137.4, 138.1–138.2,
D13/139.1–139.8, 152, 154, 184
CPC H01R 11/00; H01R 9/00; H01R 13/00;
H01R 13/04; H01R 13/10; H01R
13/6666; H01R 13/6675; H01R 25/00;
H01R 25/006; H01H 2207/00; H01H
2207/022
See application file for complete search history.

(56) **References Cited**

U.S. PATENT DOCUMENTS

- D432,990 S * 10/2000 Stekelenburg D13/137.3
- D454,538 S * 3/2002 Glickman D13/110
- 7,179,105 B1 * 2/2007 Hung H01R 13/6675
439/172
- D561,694 S * 2/2008 Lam D13/110
- D582,346 S * 12/2008 Zhou D13/137.2
- D588,065 S * 3/2009 Wadsworth D13/137.2
- D638,355 S * 5/2011 Chen D13/110

- 8,011,930 B2 * 9/2011 Lee H01R 13/6675
439/18
- D660,795 S * 5/2012 Wen D13/110
- D660,797 S * 5/2012 Wu D13/110
- D665,354 S * 8/2012 Chen D13/138.1
- D669,029 S * 10/2012 Huang D13/110
- D686,988 S * 7/2013 Fawkes D13/110
- D699,183 S * 2/2014 Zaslavsky D13/110
- D702,182 S * 4/2014 Druker D13/110
- D713,788 S * 9/2014 Hasegawa D13/110
- D720,290 S * 12/2014 Wu D13/110
- D732,719 S * 6/2015 Mozdzer D13/139.1
- D734,253 S * 7/2015 Tinaphong H02J 7/0004
D13/108
- D755,127 S * 5/2016 Wong D13/137.2
- D756,303 S * 5/2016 Kellenberger D13/137.1
- D758,312 S * 6/2016 Lin D13/137.2
- D807,295 S * 1/2018 Xu D13/137.2
- D807,827 S * 1/2018 Lu D13/137.2
- D808,046 S * 1/2018 Jianting D26/26

(Continued)

Primary Examiner — Rosemary K Tarcza
Assistant Examiner — Christy M Nemeth
(74) *Attorney, Agent, or Firm* — JCIPRNET

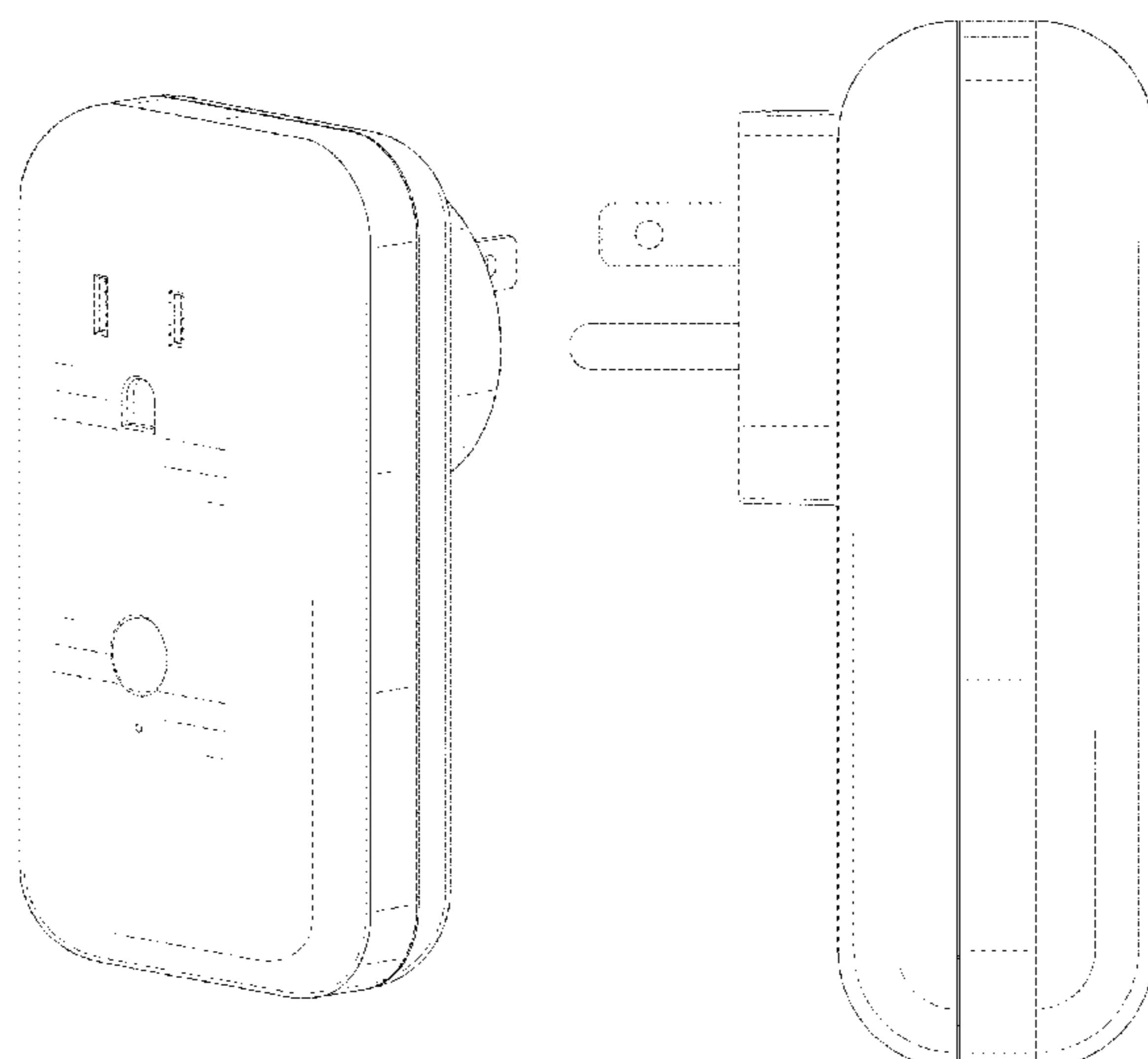
(57) **CLAIM**

The ornamental design for an adapter, as shown and described.

DESCRIPTION

FIG. 1 is a perspective view of an adapter showing my new design;
FIG. 2 is a front view thereof;
FIG. 3 is a rear view thereof;
FIG. 4 is a left side view thereof;
FIG. 5 is a right side view thereof;
FIG. 6 is a top view thereof; and,
FIG. 7 is a bottom view thereof.
The broken lines in the drawings are for the purpose of illustrating portions of the adapter that form no part of the claimed design.

1 Claim, 7 Drawing Sheets



(56)

References Cited

U.S. PATENT DOCUMENTS

| | | | |
|--------------|---------|-------------|-----------|
| D810,681 S * | 2/2018 | Ji | D13/110 |
| D816,614 S * | 5/2018 | An | D13/137.1 |
| D818,954 S * | 5/2018 | Lai | D13/110 |
| D819,570 S * | 6/2018 | Zhong | D13/137.1 |
| D826,159 S * | 8/2018 | Tao | D13/137.2 |
| D832,215 S * | 10/2018 | Xu | D13/137.2 |
| D832,786 S * | 11/2018 | Zhu | D13/139.1 |
| D835,042 S * | 12/2018 | Qiu | D13/137.2 |
| D836,542 S * | 12/2018 | Xu | D13/107 |
| D843,943 S * | 3/2019 | Yang | D13/137.2 |
| D845,900 S * | 4/2019 | Liu | D13/137.2 |

* cited by examiner

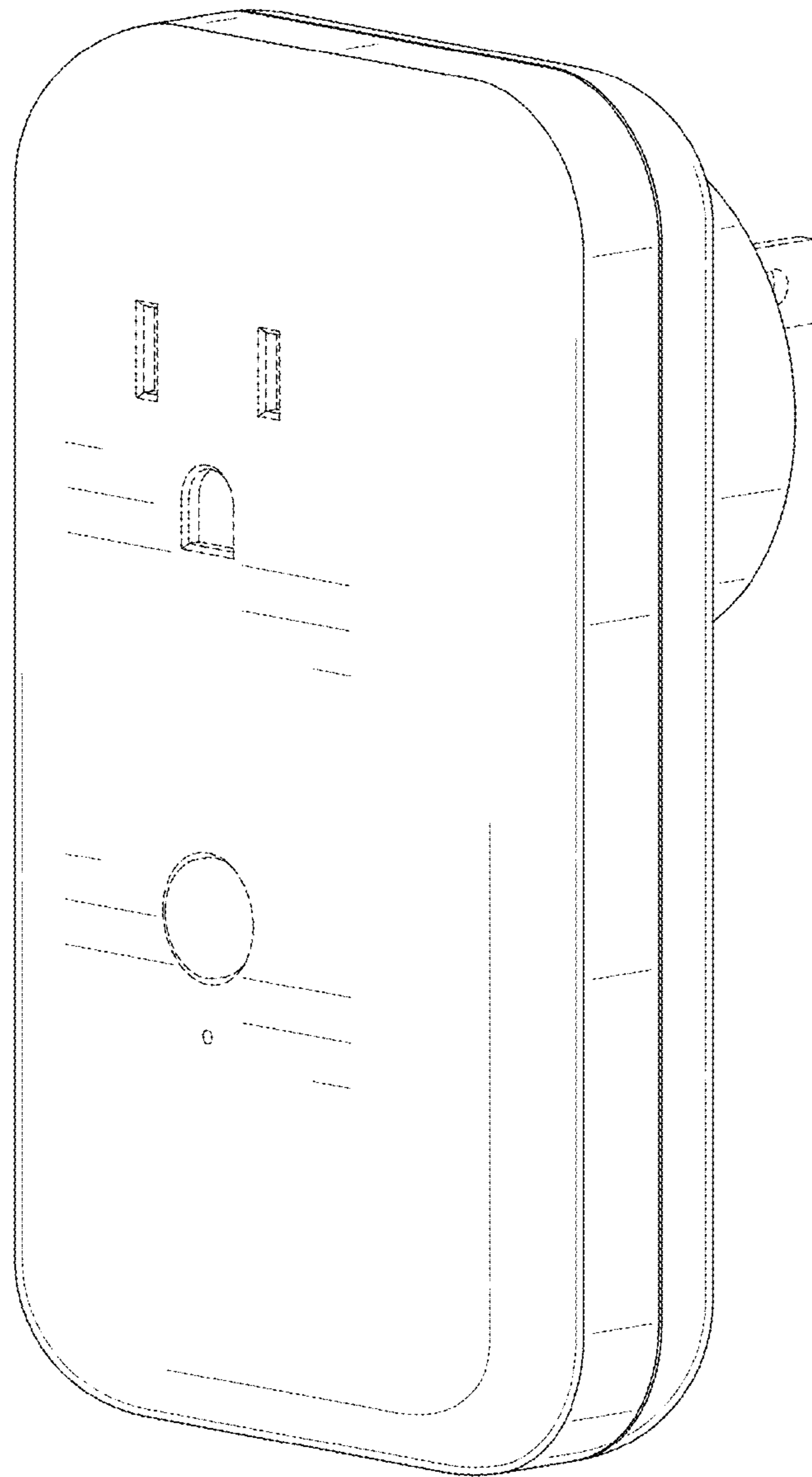


FIG. 1

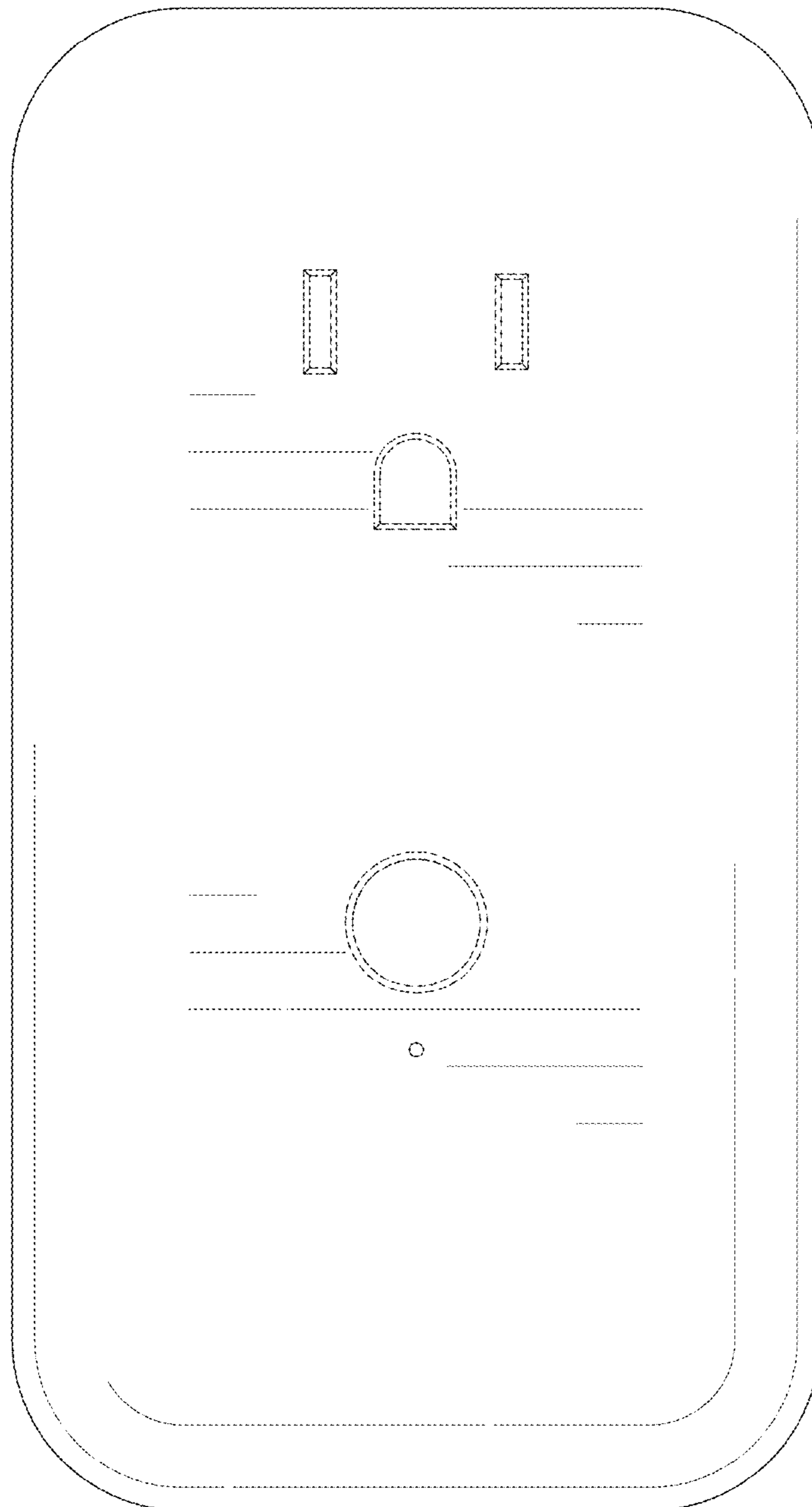


FIG. 2

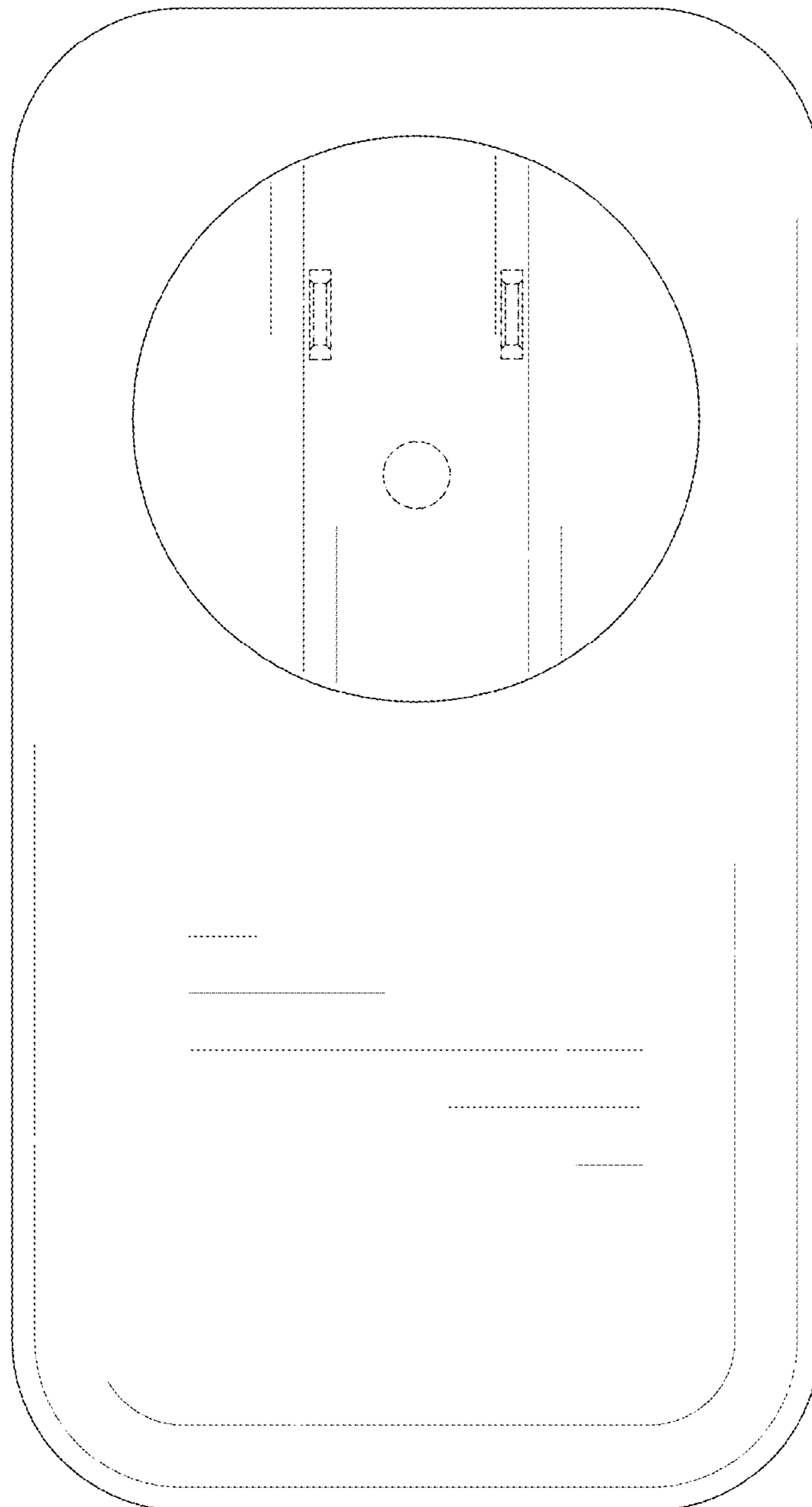


FIG. 3

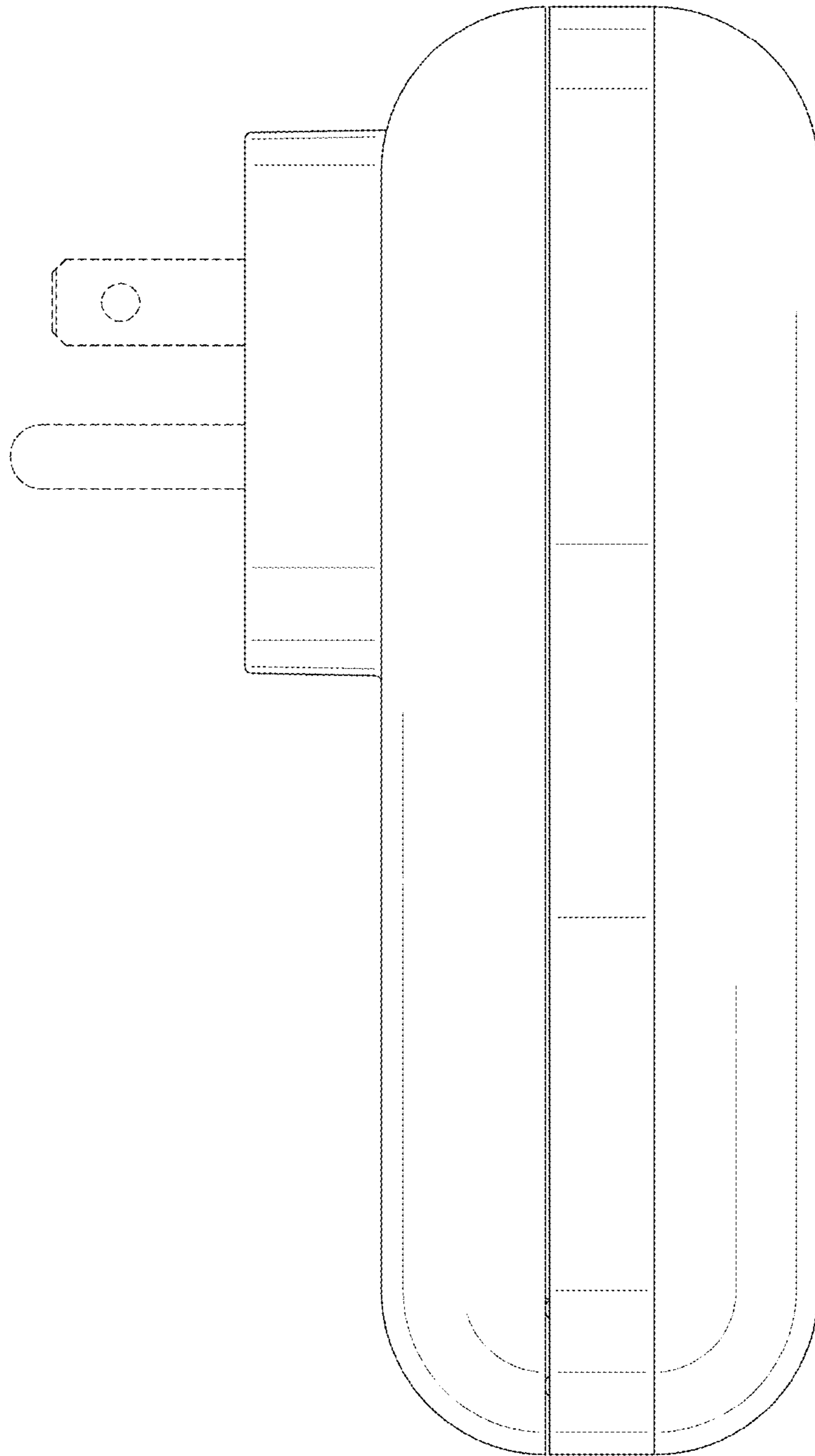


FIG. 4

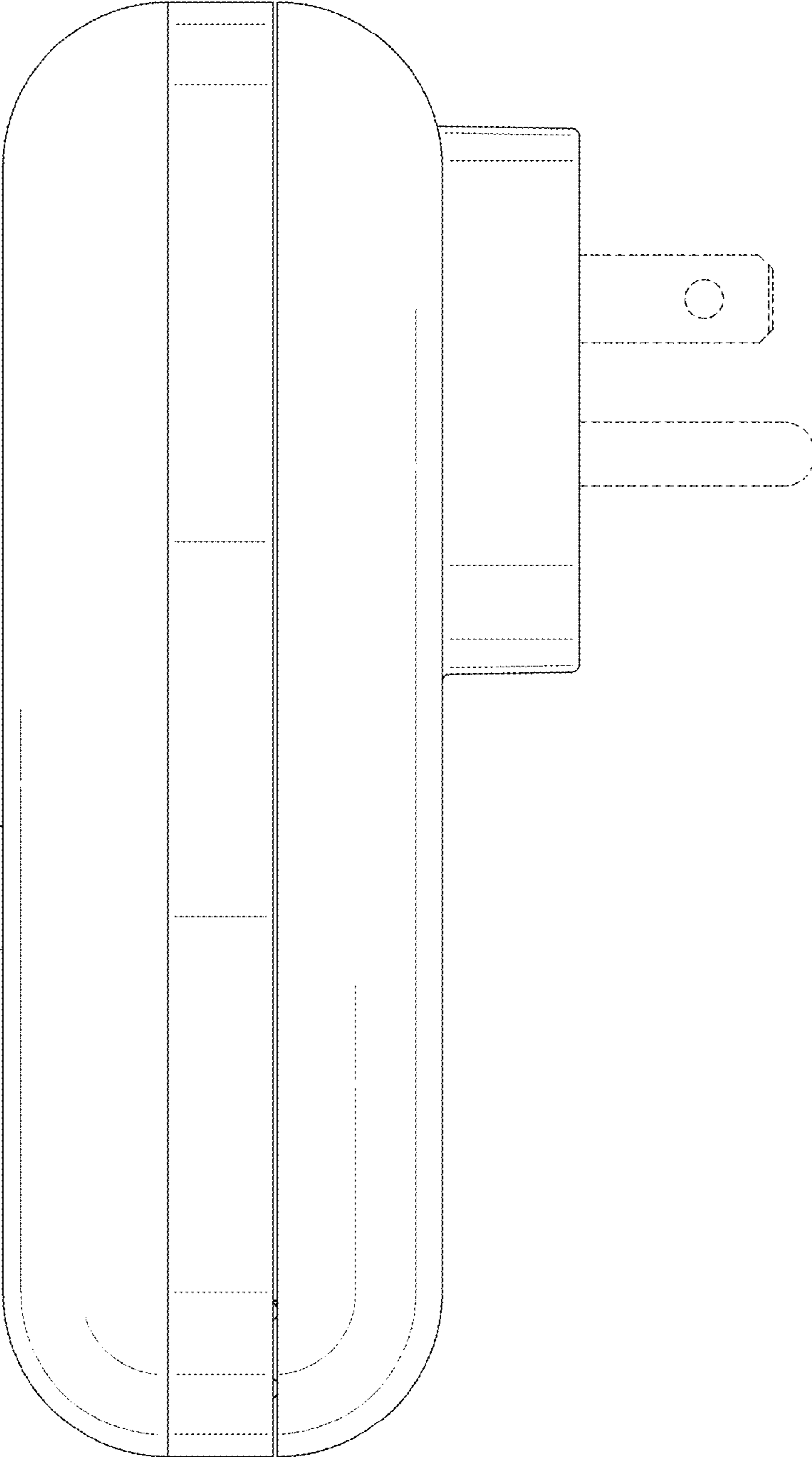


FIG. 5

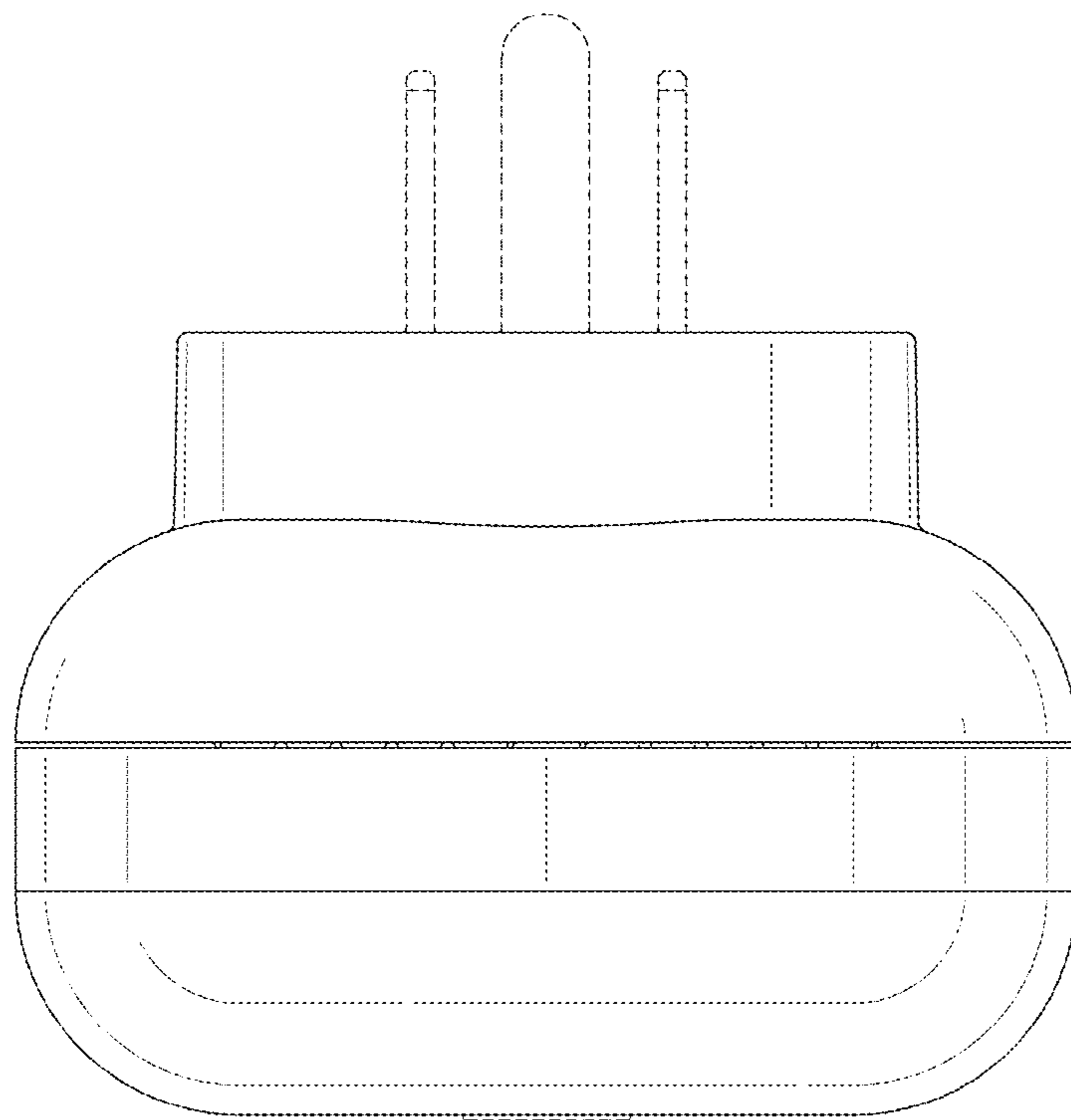


FIG. 6

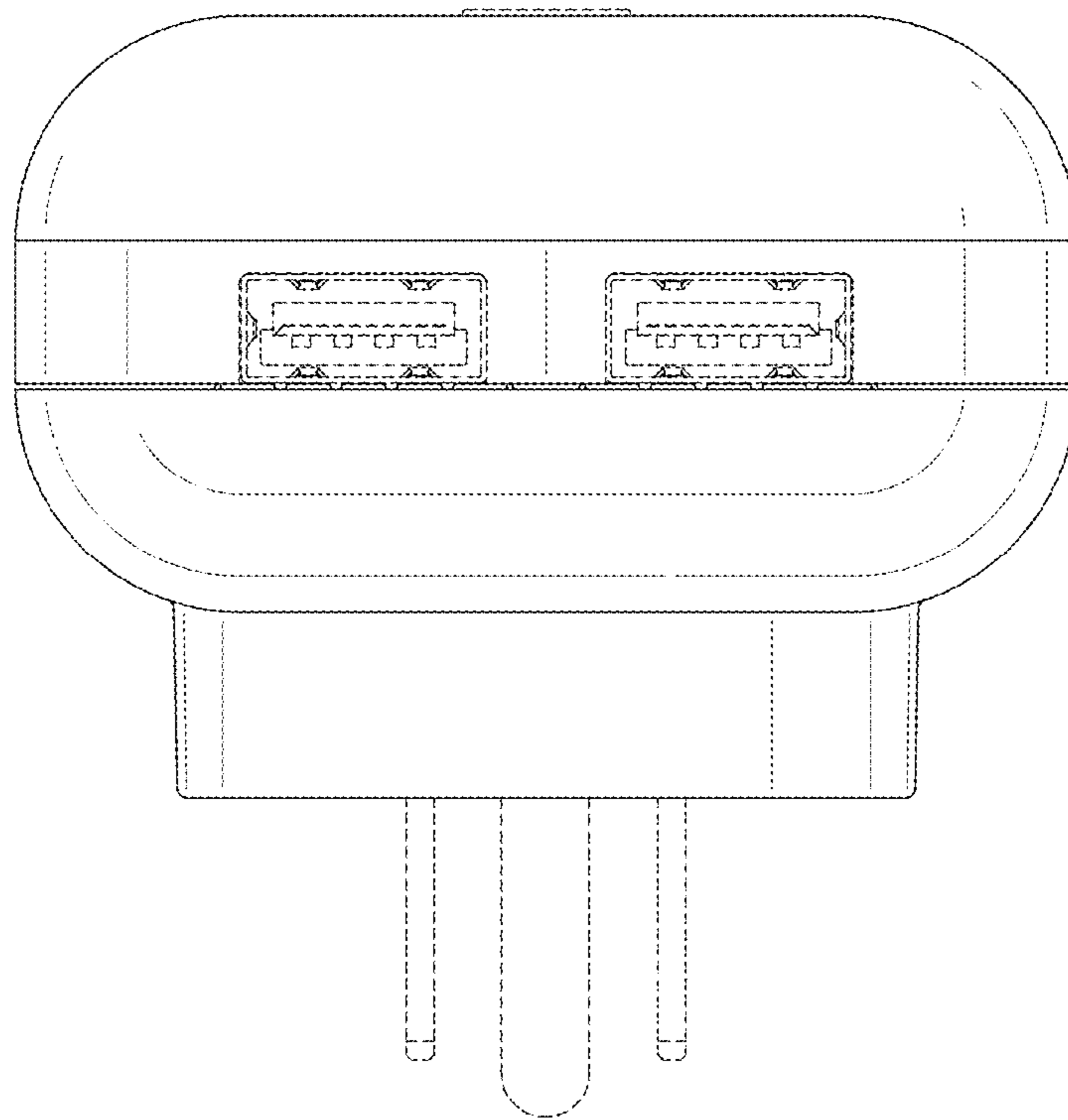


FIG. 7