



US00D860947S

(12) **United States Design Patent**
Sumida

(10) **Patent No.:** **US D860,947 S**

(45) **Date of Patent:** **** Sep. 24, 2019**

(54) **TRIPLE TAP FOR EXTENSION CORD**

(71) Applicant: **E-filliate, Inc.**, Rancho Cordova, CA
(US)

(72) Inventor: **Wesley K. Sumida**, Fair Oaks, CA
(US)

(73) Assignee: **E-filliate, Inc.**, Rancho Cordova, CA
(US)

(**) Term: **15 Years**

(21) Appl. No.: **29/638,876**

(22) Filed: **Mar. 1, 2018**

(51) **LOC (12) Cl.** **13-03**

(52) **U.S. Cl.**
USPC **D13/137.2**

(58) **Field of Classification Search**
USPC D13/108, 110, 123, 133, 137.1–137.4,
D13/138.1–138.2, 139.1–139.8, 152, 154;
D14/433
CPC .. H01R 25/00; H01R 25/006; H01R 13/6675;
H01R 13/10; H01R 13/44; H01R 13/66;
H01R 13/652; H01R 31/065; H01R
31/00; H01R 11/00; H01R 9/00; H01H
2207/00; H01H 2207/022

See application file for complete search history.

(56) **References Cited**

U.S. PATENT DOCUMENTS

D251,293 S * 3/1979 Trueblood D13/137.2
D276,225 S * 11/1984 Powel D13/137.2

D277,370 S * 1/1985 Gehr D13/137.2
D372,702 S * 8/1996 Sanner D13/139.8
D594,823 S * 6/2009 Ho'o D13/139.1
D599,290 S * 9/2009 Lee D13/137.2
D612,333 S * 3/2010 Wu D13/139.1
D614,134 S * 4/2010 Chen D13/137.2
D636,335 S * 4/2011 Clark D13/137.2
D686,993 S * 7/2013 Millar-Sax D13/137.2
D736,710 S * 8/2015 Lin D13/137.2
D789,891 S * 6/2017 Eshelman D13/137.2
D821,978 S * 7/2018 Yu D13/139.7

* cited by examiner

Primary Examiner — Rosemary K Tarca

Assistant Examiner — Christy M Nemeth

(74) *Attorney, Agent, or Firm* — Heisler & Associates

(57) **CLAIM**

The ornamental design for a triple tap for extension cord, as shown and described.

DESCRIPTION

FIG. 1 is a perspective view of a triple tap for extension cord;

FIG. 2 is a top plan view of the invention;

FIG. 3 is a bottom plan view of the invention;

FIG. 4 is a front elevation view of the invention;

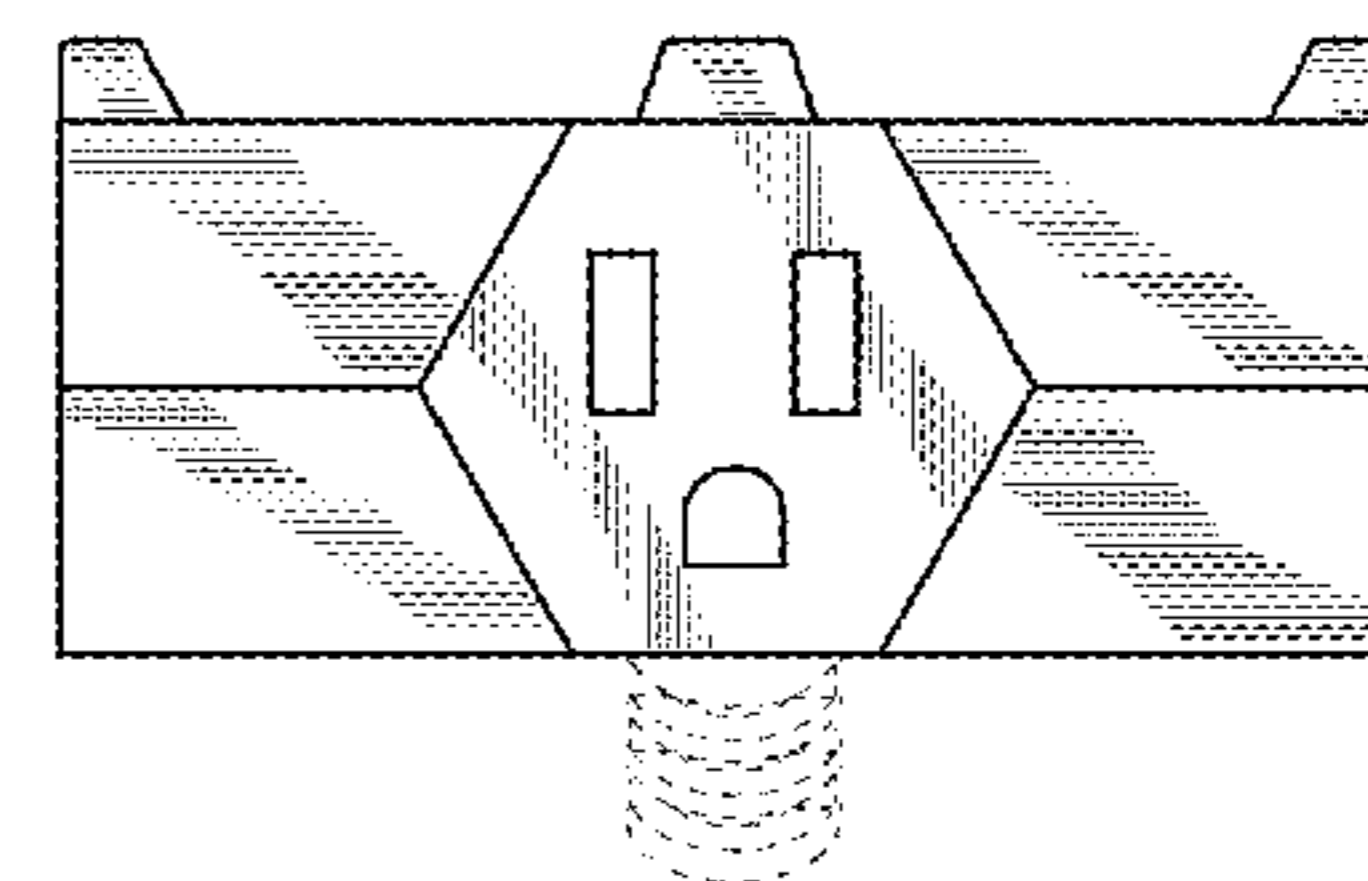
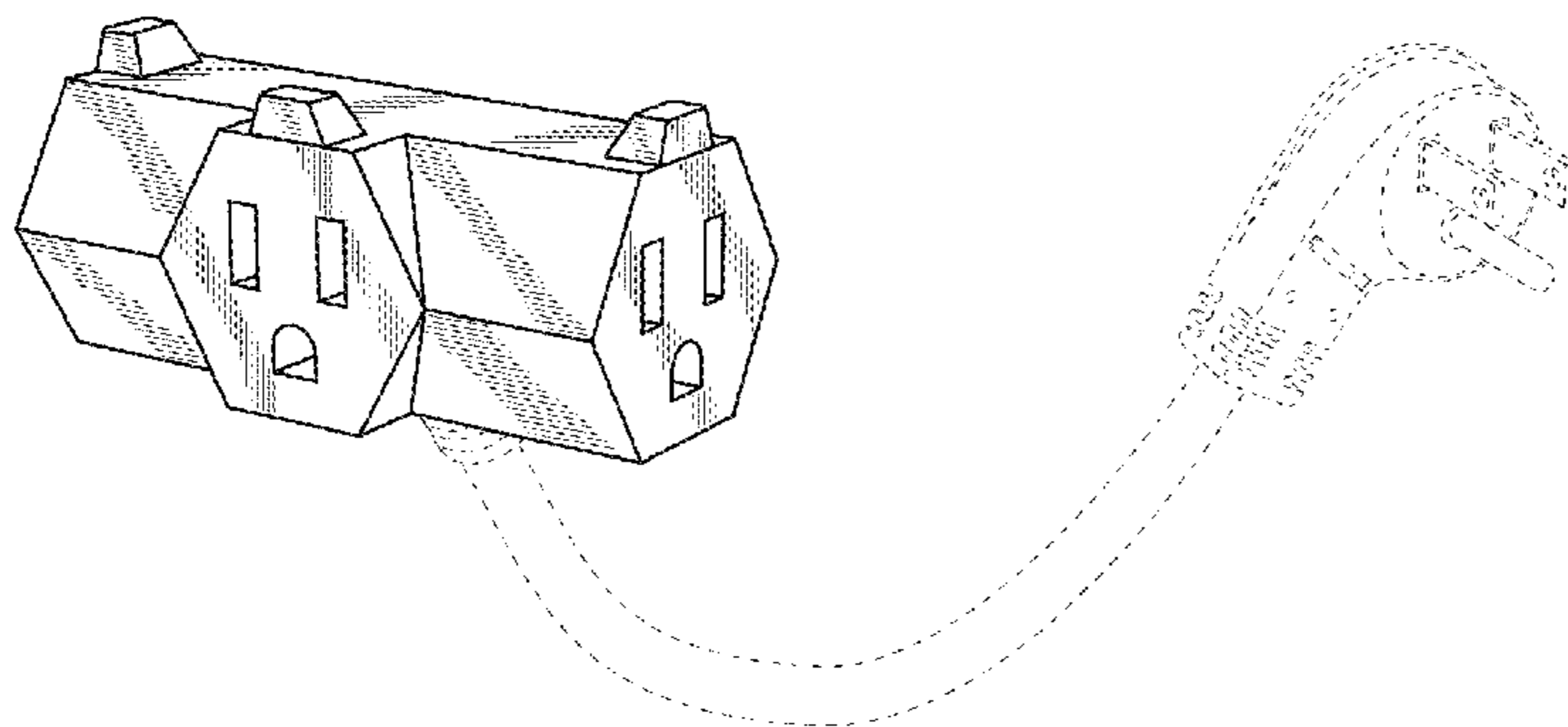
FIG. 5 is a rear elevation view of the invention;

FIG. 6 is a left side view of the invention; and,

FIG. 7 is a right side view of the invention.

The broken lines in the drawings are for the purpose of illustrating environmental subject matter that forms no part of the claimed design.

1 Claim, 2 Drawing Sheets



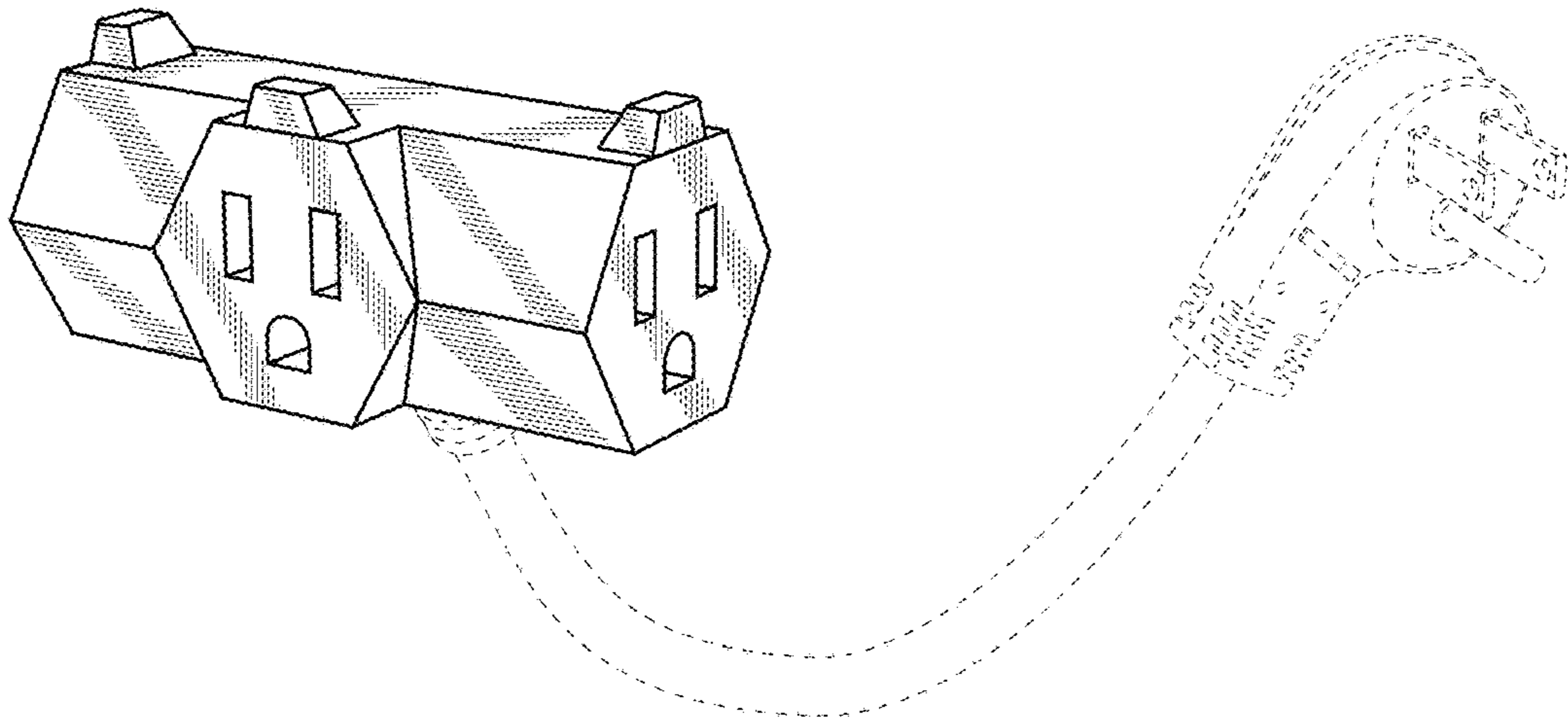


Fig.1

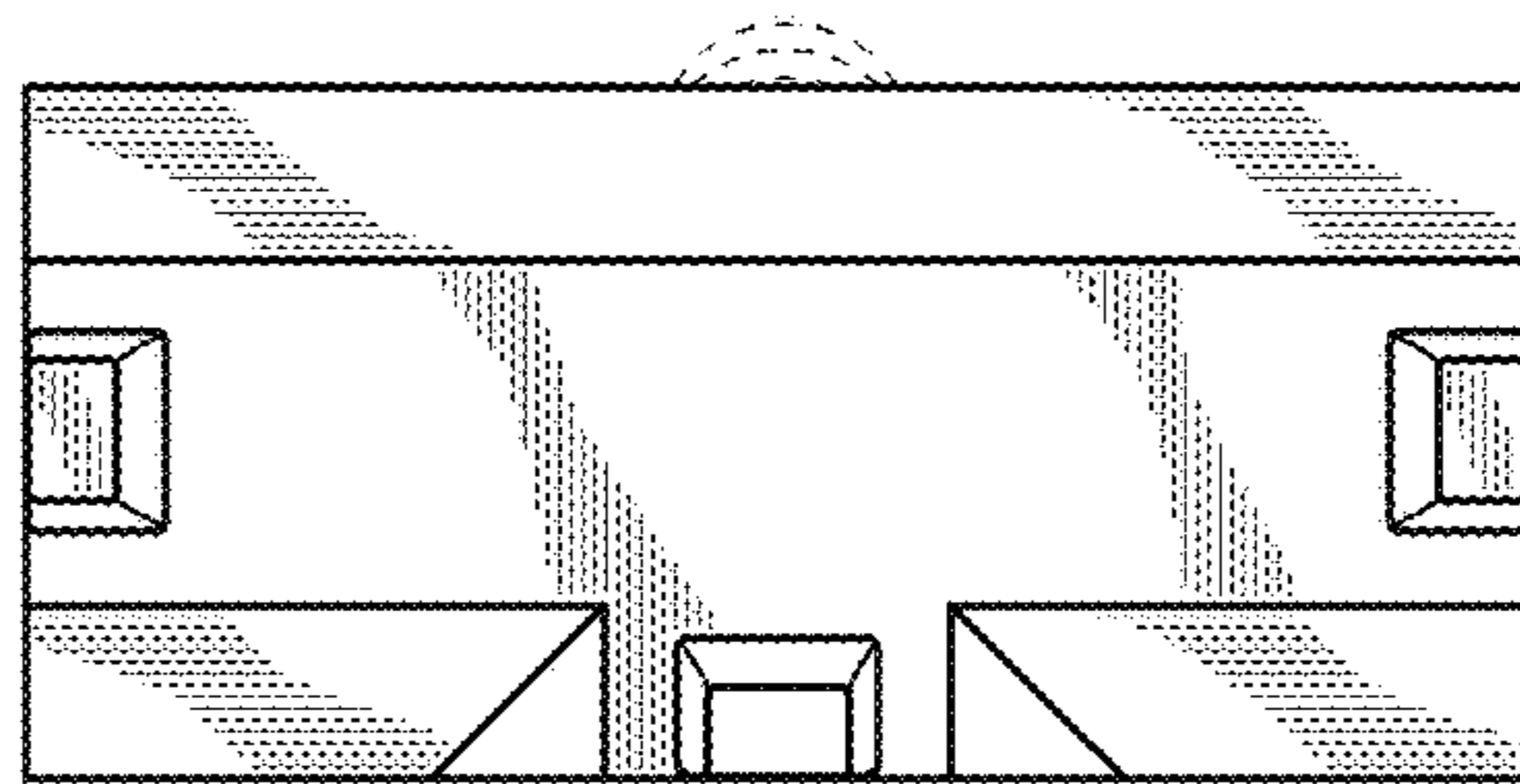


Fig.2

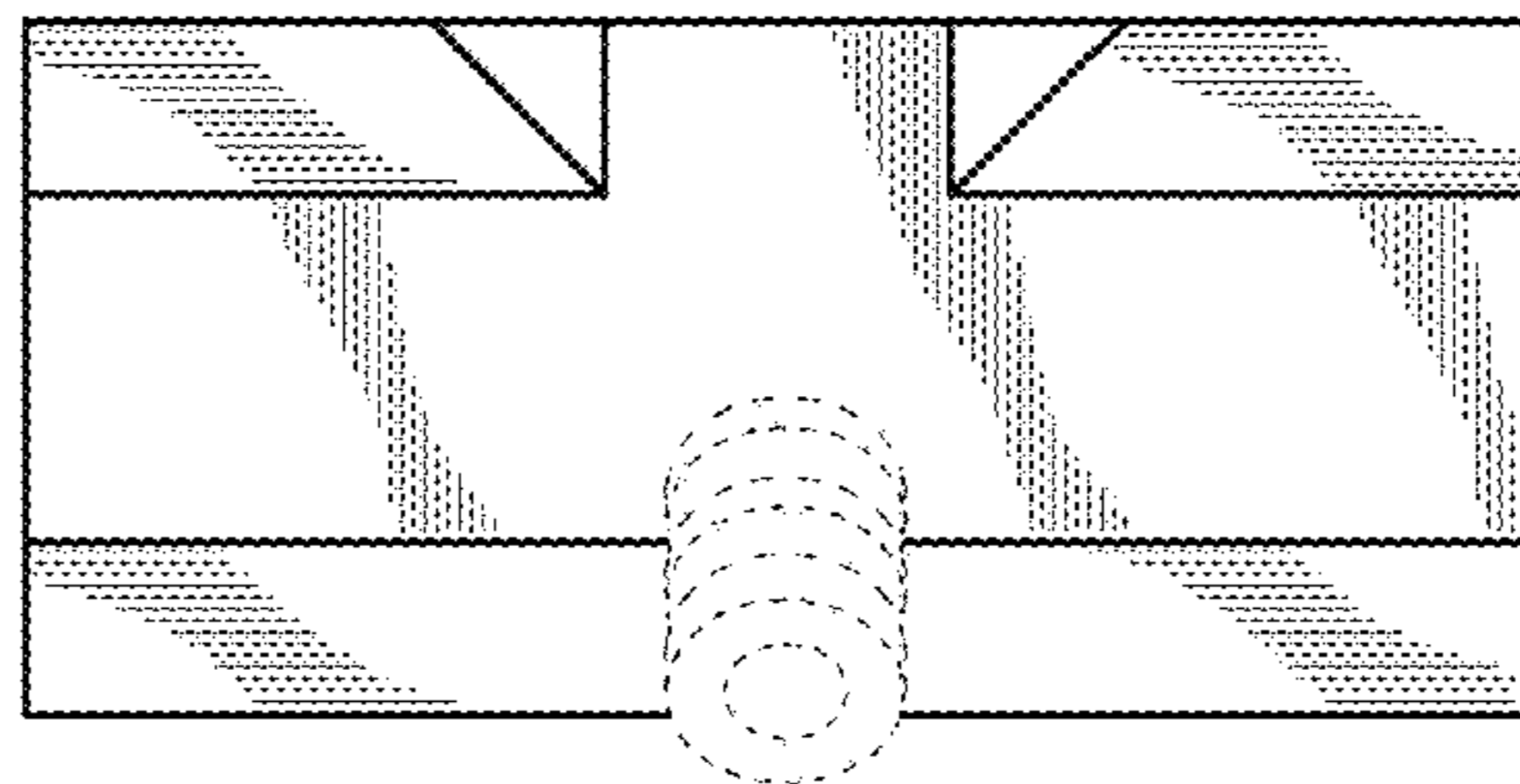


Fig.3

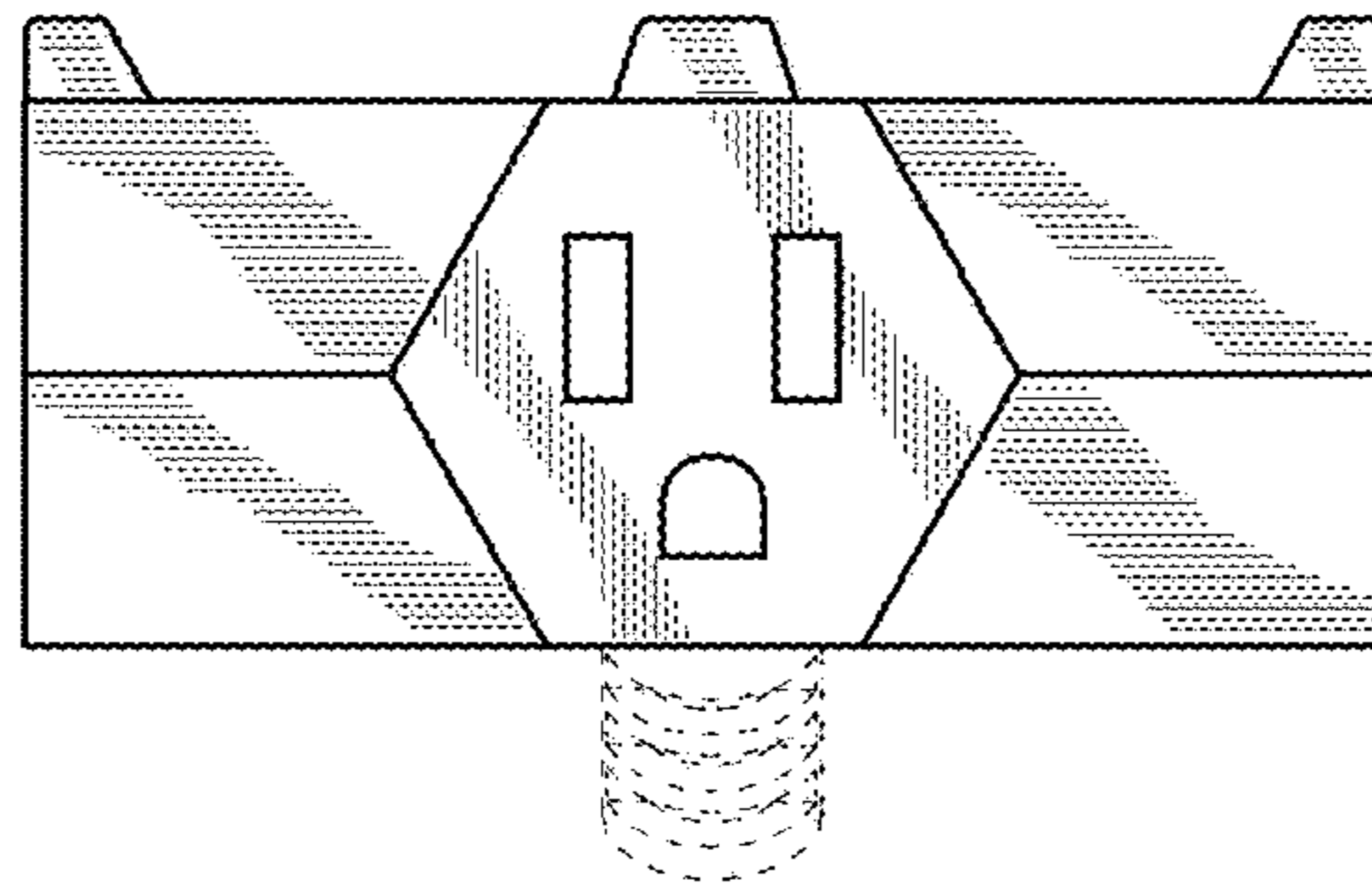


Fig.4

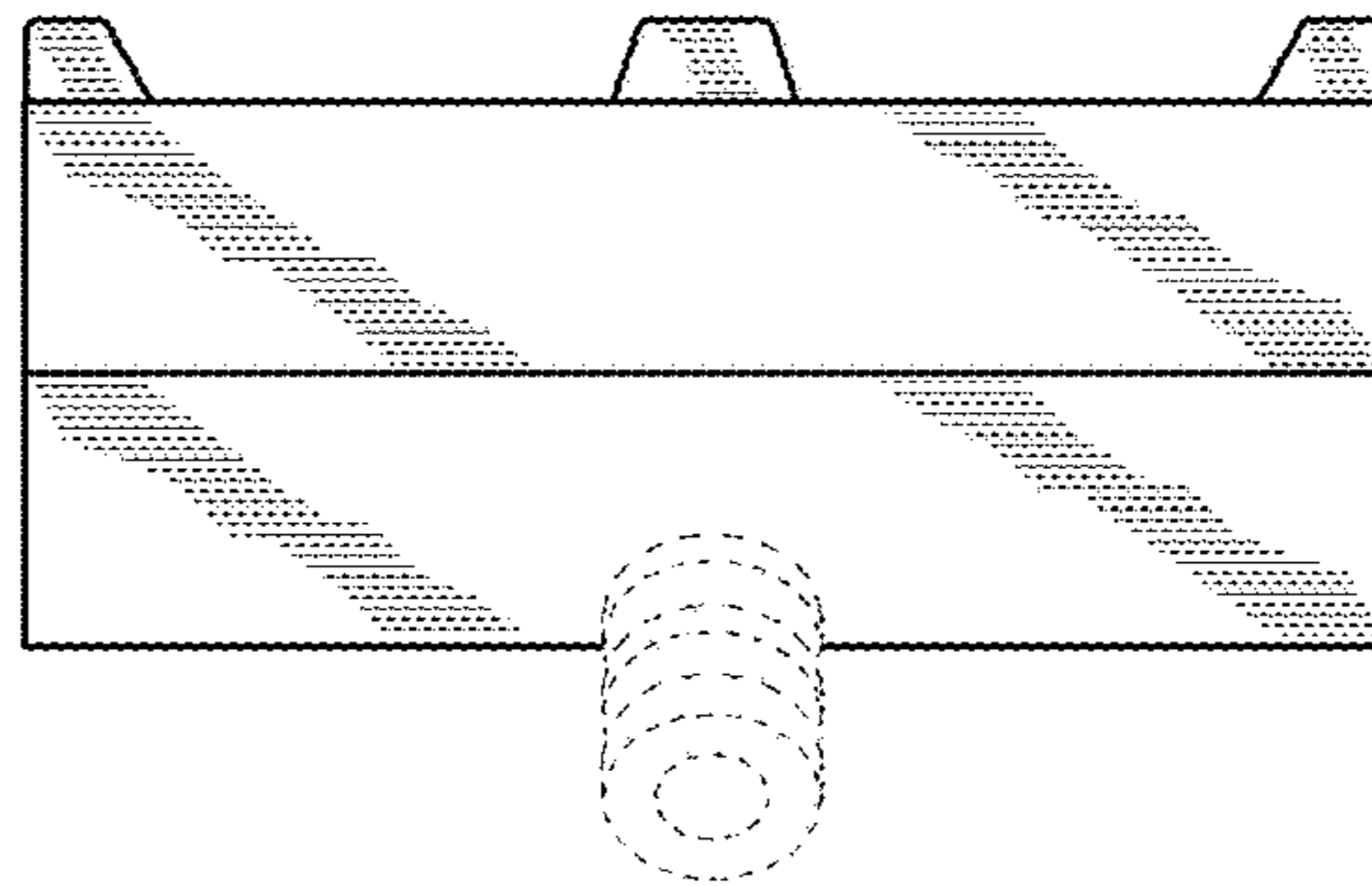


Fig.5

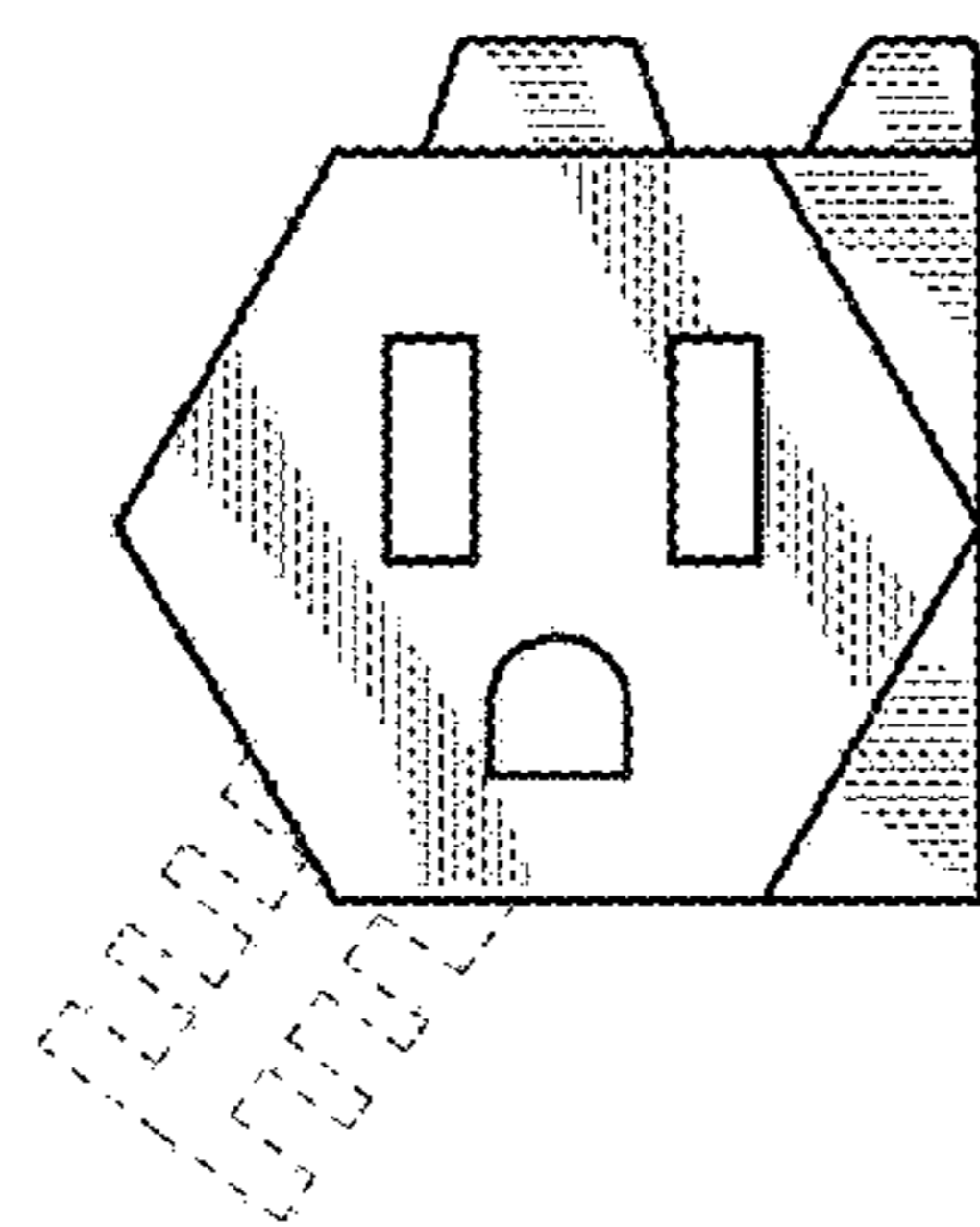


Fig.6

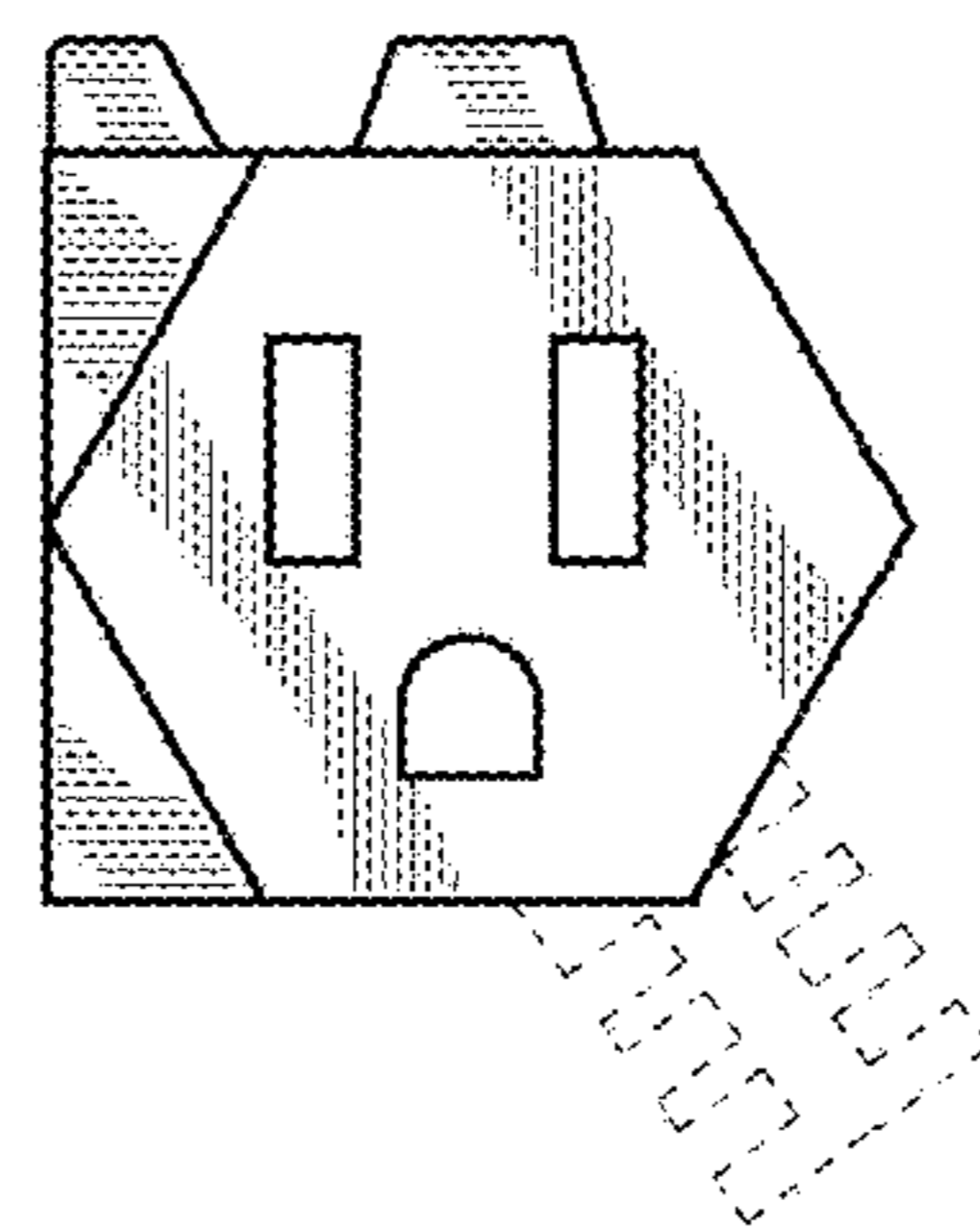


Fig.7