



US00D860946S

(12) **United States Design Patent** (10) **Patent No.:** **US D860,946 S**  
**Wang** (45) **Date of Patent:** **\*\* Sep. 24, 2019**

(54) **BULB ADAPTOR**  
(71) Applicant: **Shenzhen Global Egrow E-Commerce Co., LTD**, Shenzhen (CN)  
(72) Inventor: **Hao Wang**, Heilongjiang (CN)  
(73) Assignee: **Shenzhen Global Egrow E-Commerce Co., LTD**, Shenzhen (CN)

(\*\*) Term: **15 Years**  
(21) Appl. No.: **29/655,230**

(22) Filed: **Jul. 1, 2018**  
(51) **LOC (12) Cl.** ..... **13-03**  
(52) **U.S. Cl.**  
USPC ..... **D13/134; D26/2**  
(58) **Field of Classification Search**  
USPC ..... D13/118, 123, 133–135, 146, 147, 151,  
D13/154, 173, 178, 182, 184, 199;  
D26/1, 2, 23, 26, 113; 439/843  
CPC ..... F21V 19/00; F21V 21/00; F21V 23/00;  
F21V 23/06; H01R 13/62; H01R 13/629;  
H01R 13/648; H01R 33/00; H01R 33/02;  
H01R 33/9555; H05B 37/02; H05B  
37/0272

See application file for complete search history.

(56) **References Cited**

**U.S. PATENT DOCUMENTS**

D280,345 S *	8/1985	Paget	.....	D26/26
D283,504 S *	4/1986	Leis	.....	D13/135
4,632,490 A *	12/1986	Von Gunten	.....	H01R 33/9555 439/108
D302,860 S *	8/1989	Anema	.....	D26/2
D310,064 S *	8/1990	Cheng	.....	D13/151
D321,501 S *	11/1991	Ilemo	.....	D13/135
D364,142 S *	11/1995	Metcalfe	.....	D13/134
D414,569 S *	9/1999	Kato	.....	D26/3
D461,260 S *	8/2002	Sundhar	.....	D26/2
D517,480 S *	3/2006	Luo	.....	D13/134

D655,829 S *	3/2012	Lee	.....	D26/2
D666,337 S *	8/2012	Song	.....	D26/2
D789,890 S *	6/2017	Lai	.....	D13/134
D822,856 S *	7/2018	Liao	.....	D26/2
2014/0268697 A1 *	9/2014	Smith	.....	F21S 9/022 362/183
2015/0340805 A1 *	11/2015	Jordan	.....	H01R 13/629 439/338
2016/0198553 A1 *	7/2016	Fathollahi	.....	H05B 37/0272 315/291

(Continued)

**OTHER PUBLICATIONS**

Smart WiFi Light Bulb Socket—iHaper, dated Dec. 16, 2018, [online], [site visited Jul. 1, 2019]. Available from Internet, URL: <https://www.amazon.com/Smart-WiFi-Light-Bulb-Socket/dp/B07LFYLXH1> (Year: 2018).\*

(Continued)

*Primary Examiner* — Angela J Lee  
*Assistant Examiner* — Shawn T Gingrich  
(74) *Attorney, Agent, or Firm* — JCIPRNET

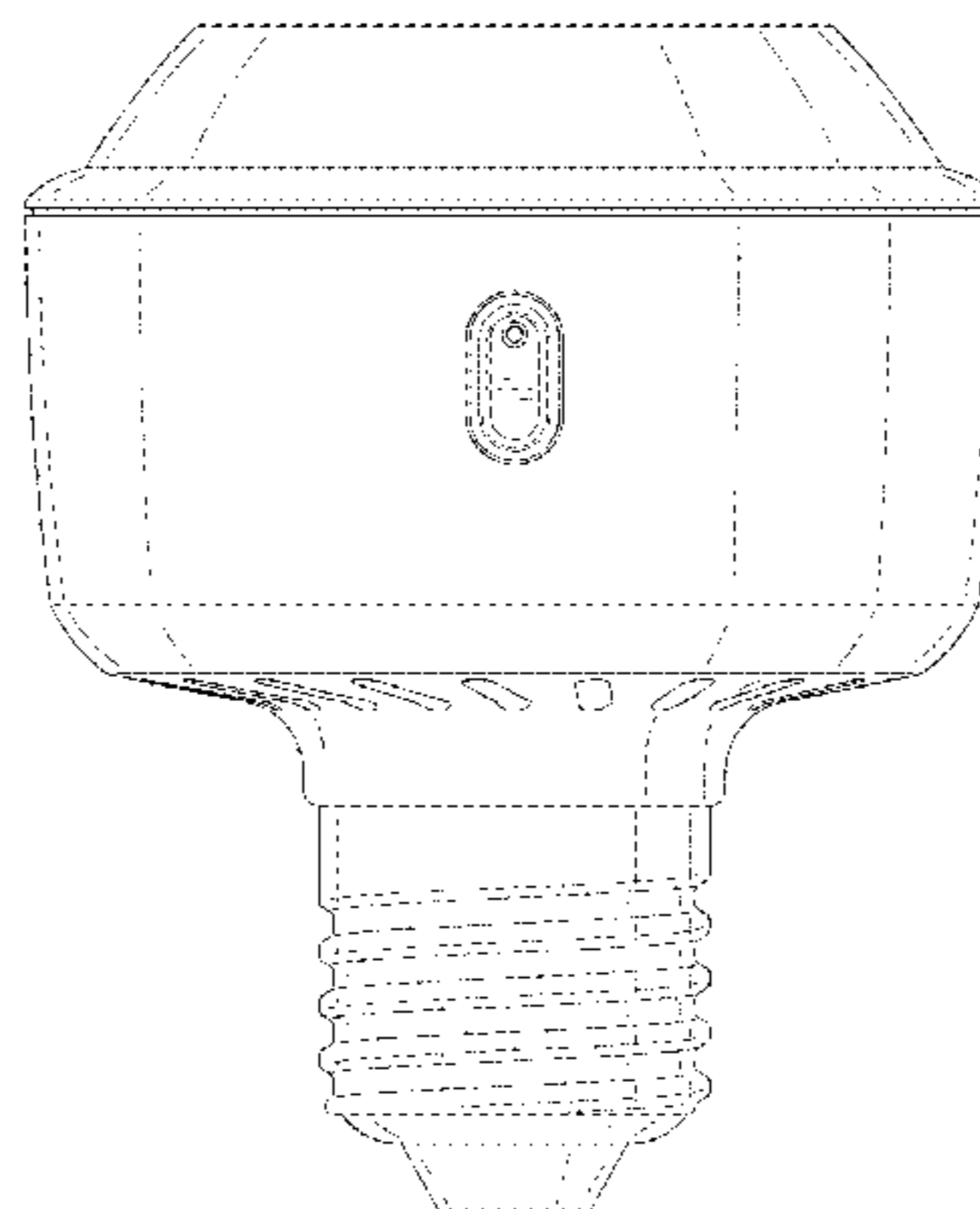
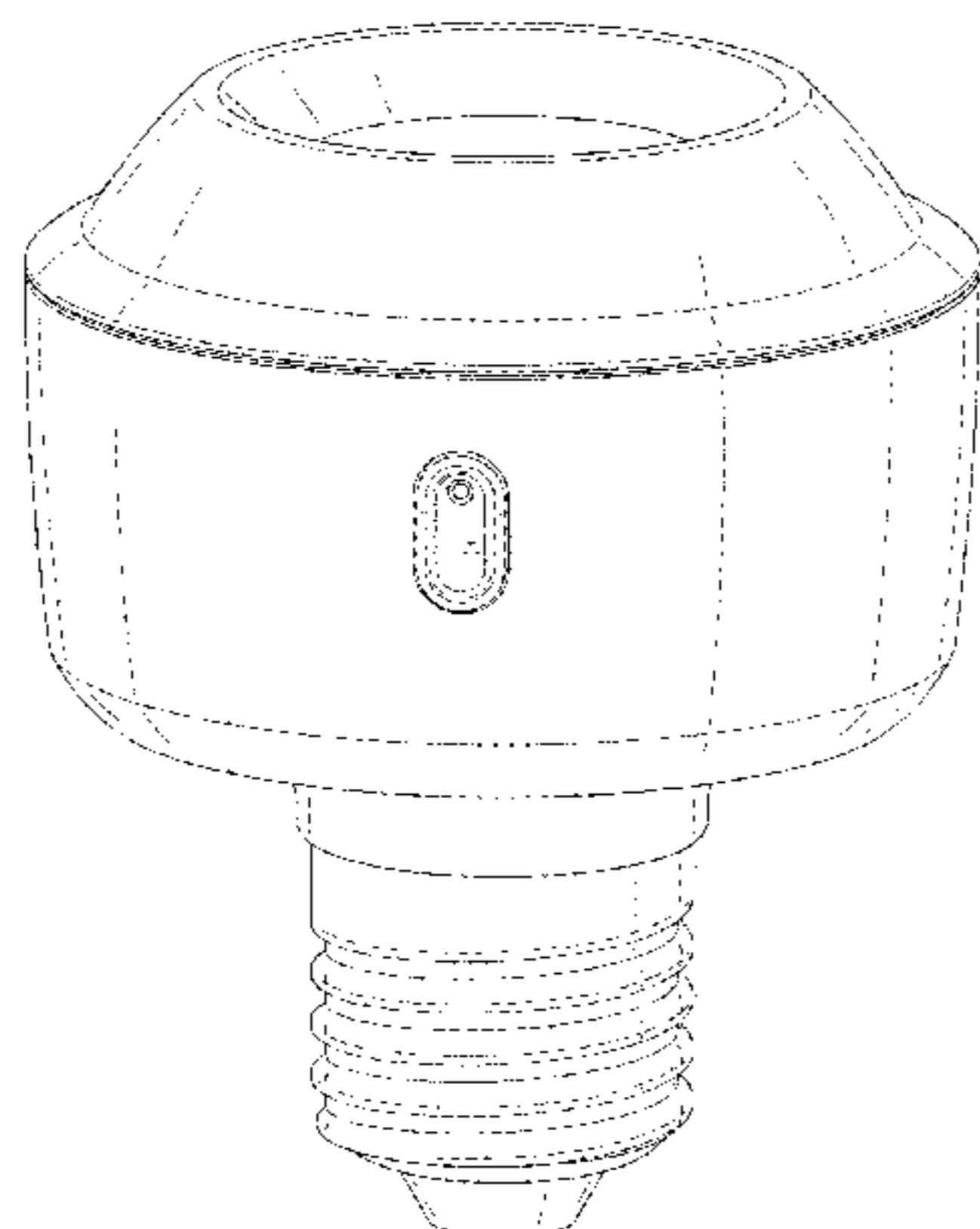
(57) **CLAIM**

The ornamental design for a bulb adaptor, as shown and described.

**DESCRIPTION**

FIG. 1 is a perspective view of a bulb adaptor showing my new design;  
FIG. 2 is a front view thereof;  
FIG. 3 is a rear view thereof;  
FIG. 4 is a left side view thereof;  
FIG. 5 is a right side view thereof;  
FIG. 6 is a top view thereof; and,  
FIG. 7 is a bottom view thereof.  
The broken lines in the drawings illustrate portions of the bulb adaptor that form no part of the claimed design.

**1 Claim, 7 Drawing Sheets**



(56)

**References Cited**

U.S. PATENT DOCUMENTS

2017/0244934 A1\* 8/2017 Chien ..... H04N 7/181

OTHER PUBLICATIONS

Koogeek Smart Socket, dated Mar. 8, 2017, [online], [site visited Jul. 1, 2019]. Available from Internet, URL: <https://www.amazon.com/dp/B06XGVMKGG/?tag=viglink124926-20> (Year: 2017).\*

Kuna Smart Socket, dated May 18, 2017, [online], [site visited Jul. 1, 2019]. Available from Internet, URL: <https://getkuna.com/products/smart-socket> (Year: 2017).\*

LoraTap Smart WiFi Bulb Socket , dated Dec. 25, 2018, [online], [site visited Jul. 1, 2019]. Available from Internet, URL: <https://www.amazon.com/LoraTap-Adapter-Control-Assistant-Anywhere/dp/B07PMJ6RM6> (Year: 2018).\*

\* cited by examiner

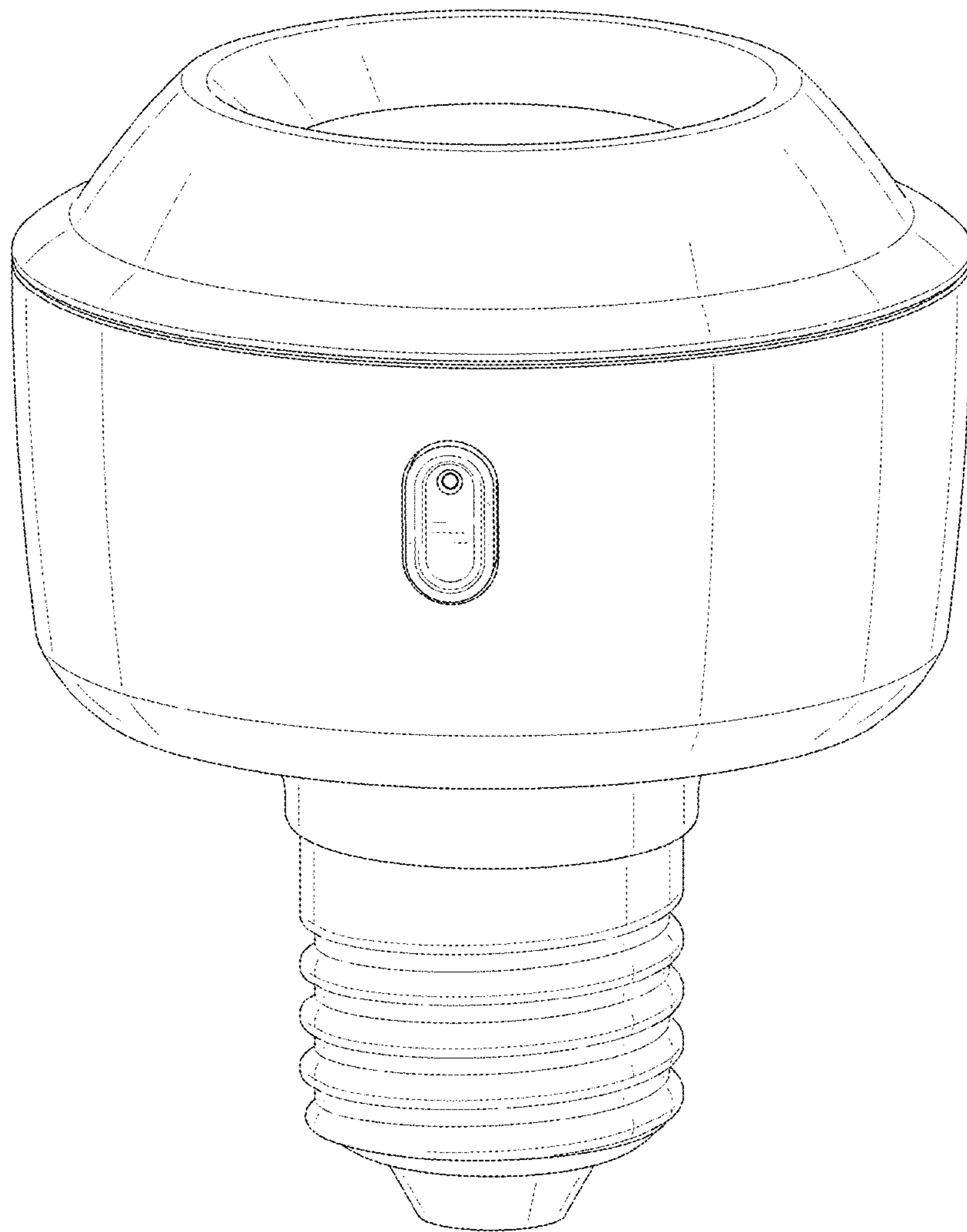


FIG. 1

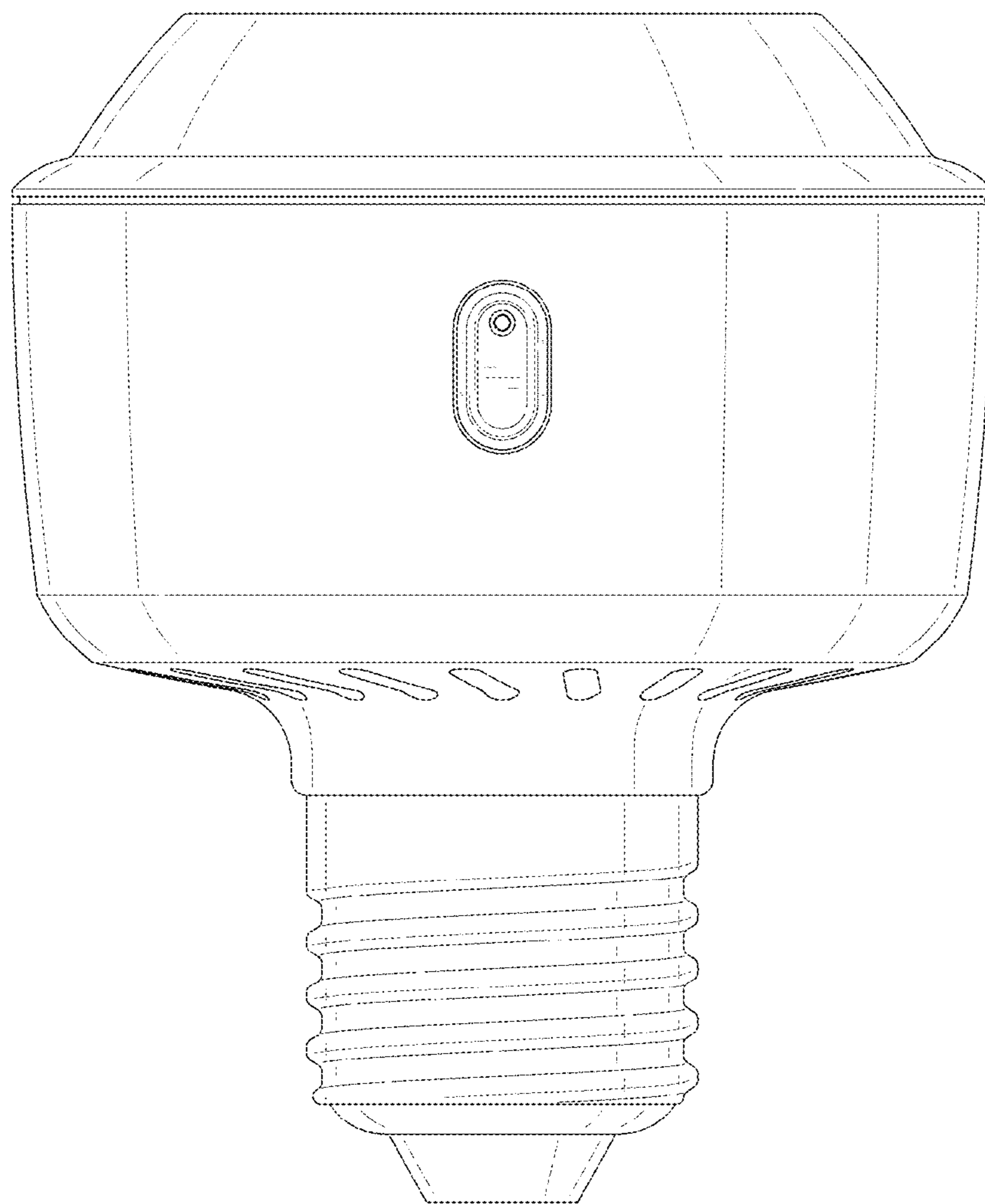


FIG. 2

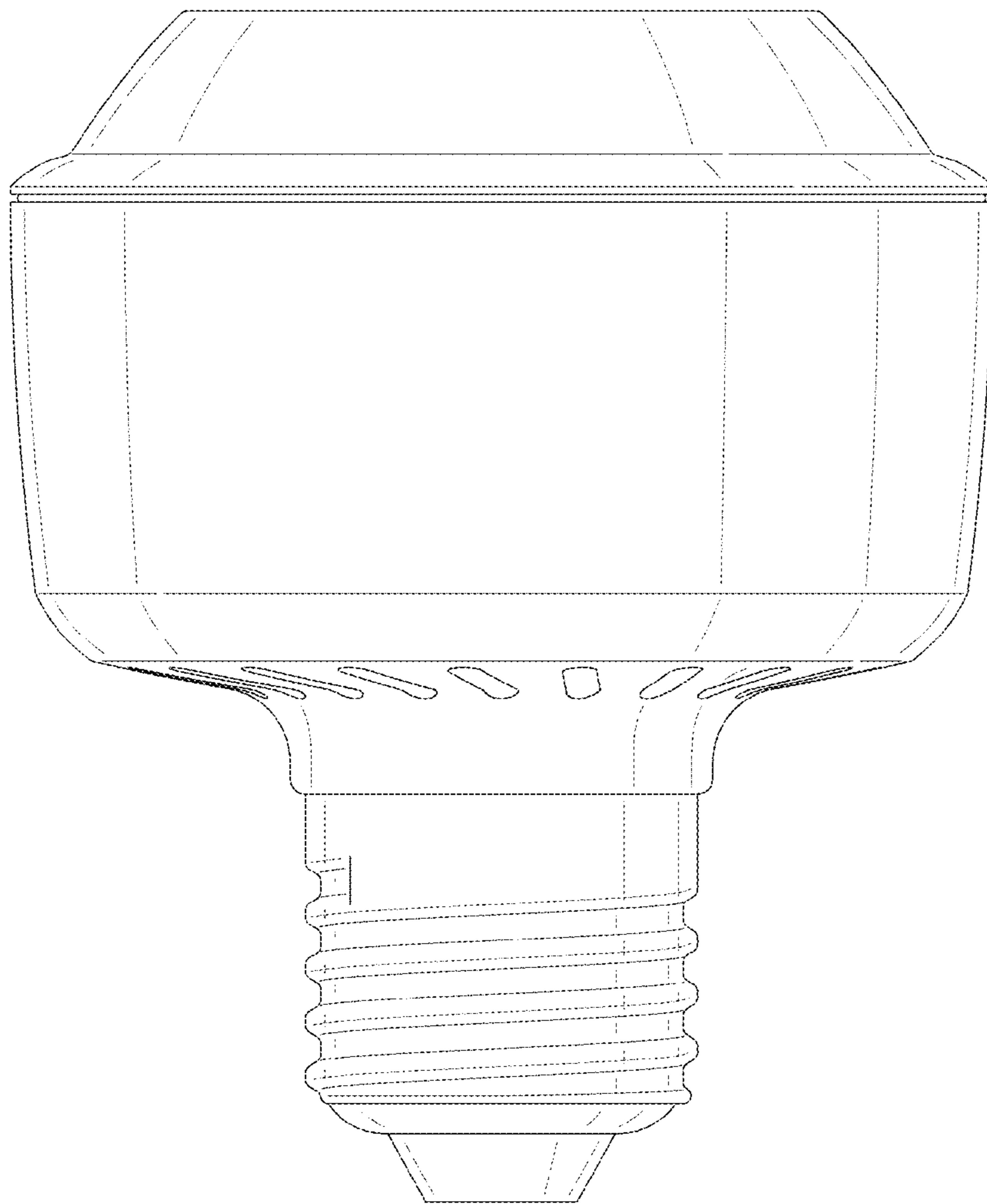


FIG. 3

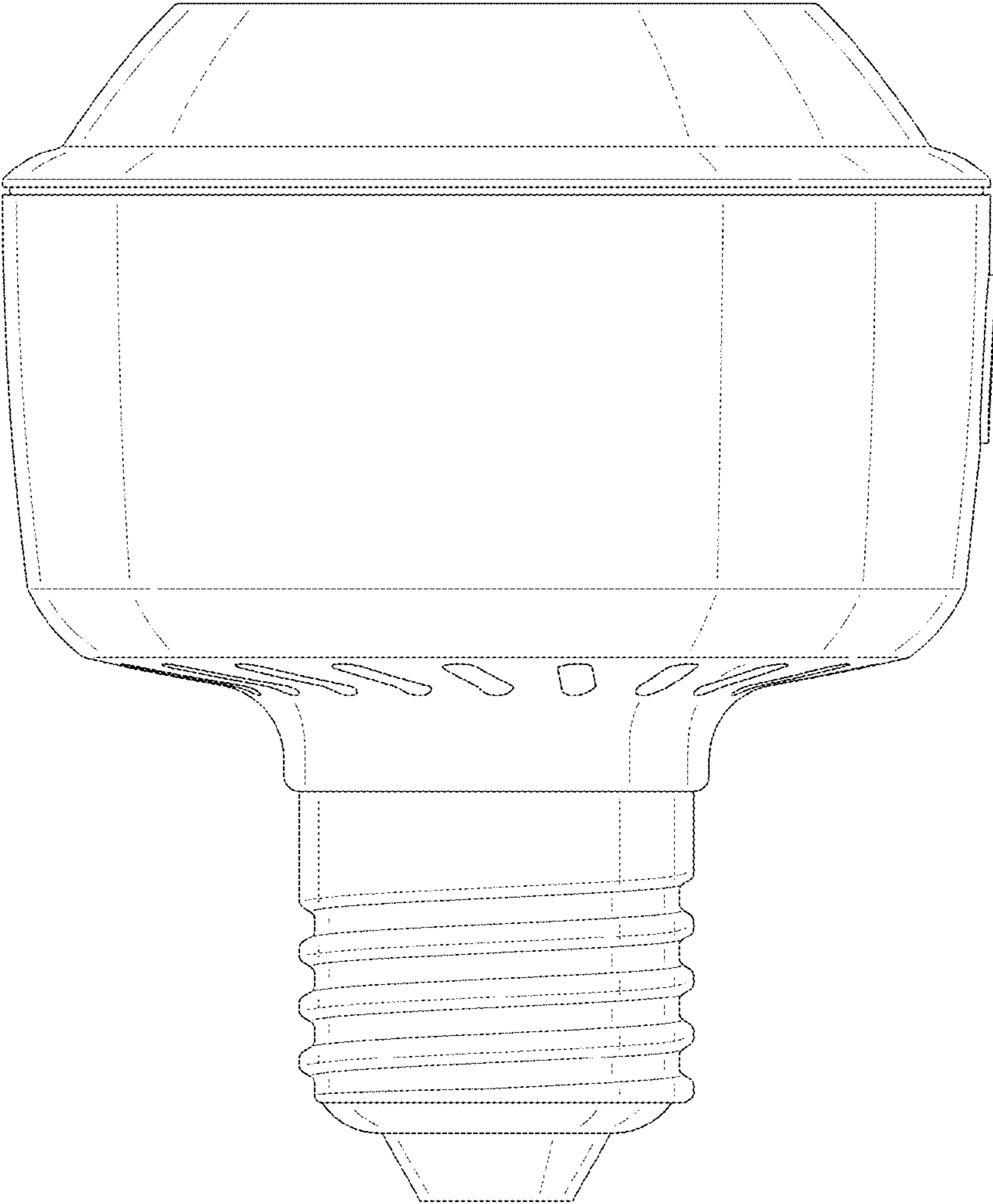


FIG. 4

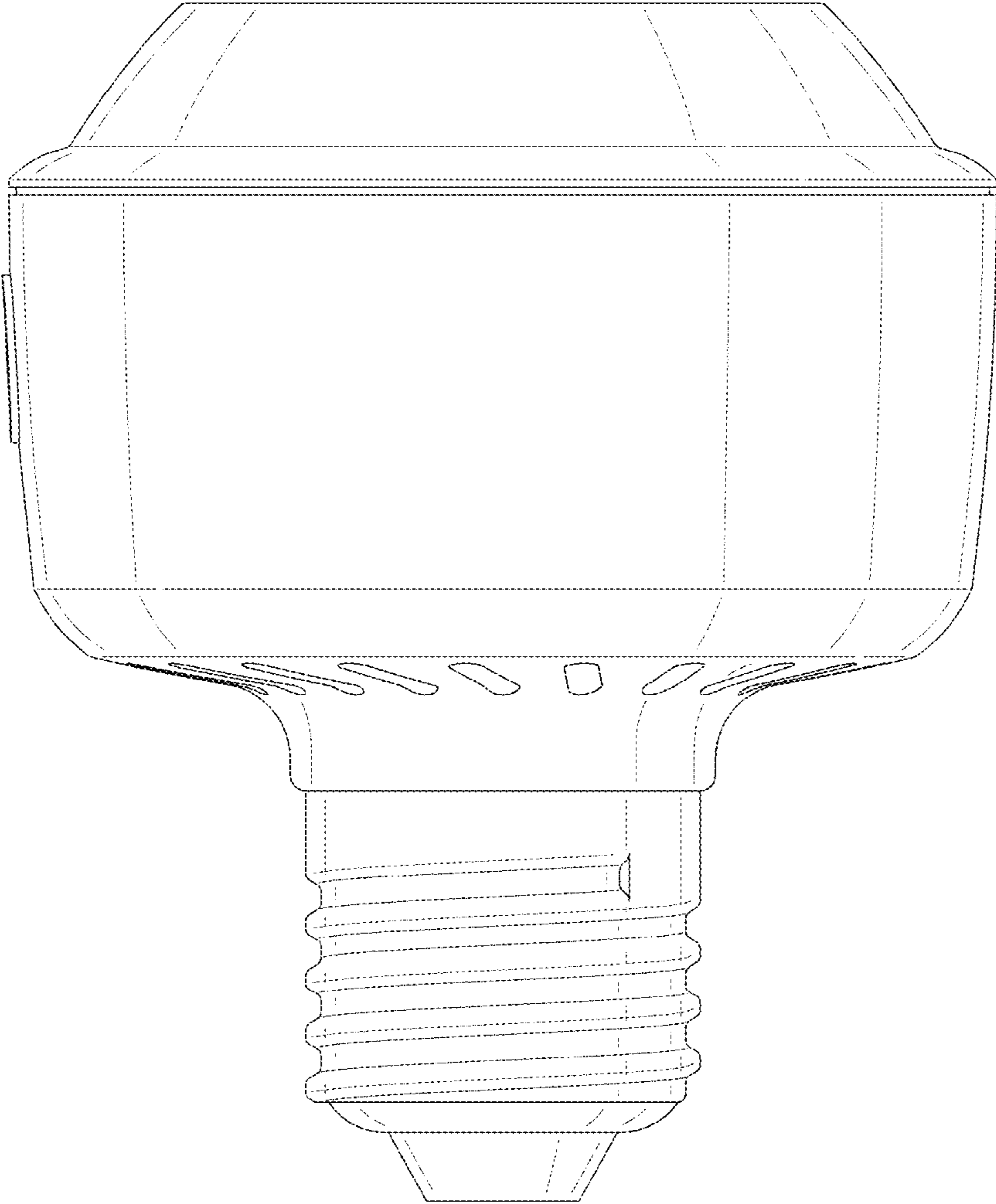


FIG. 5

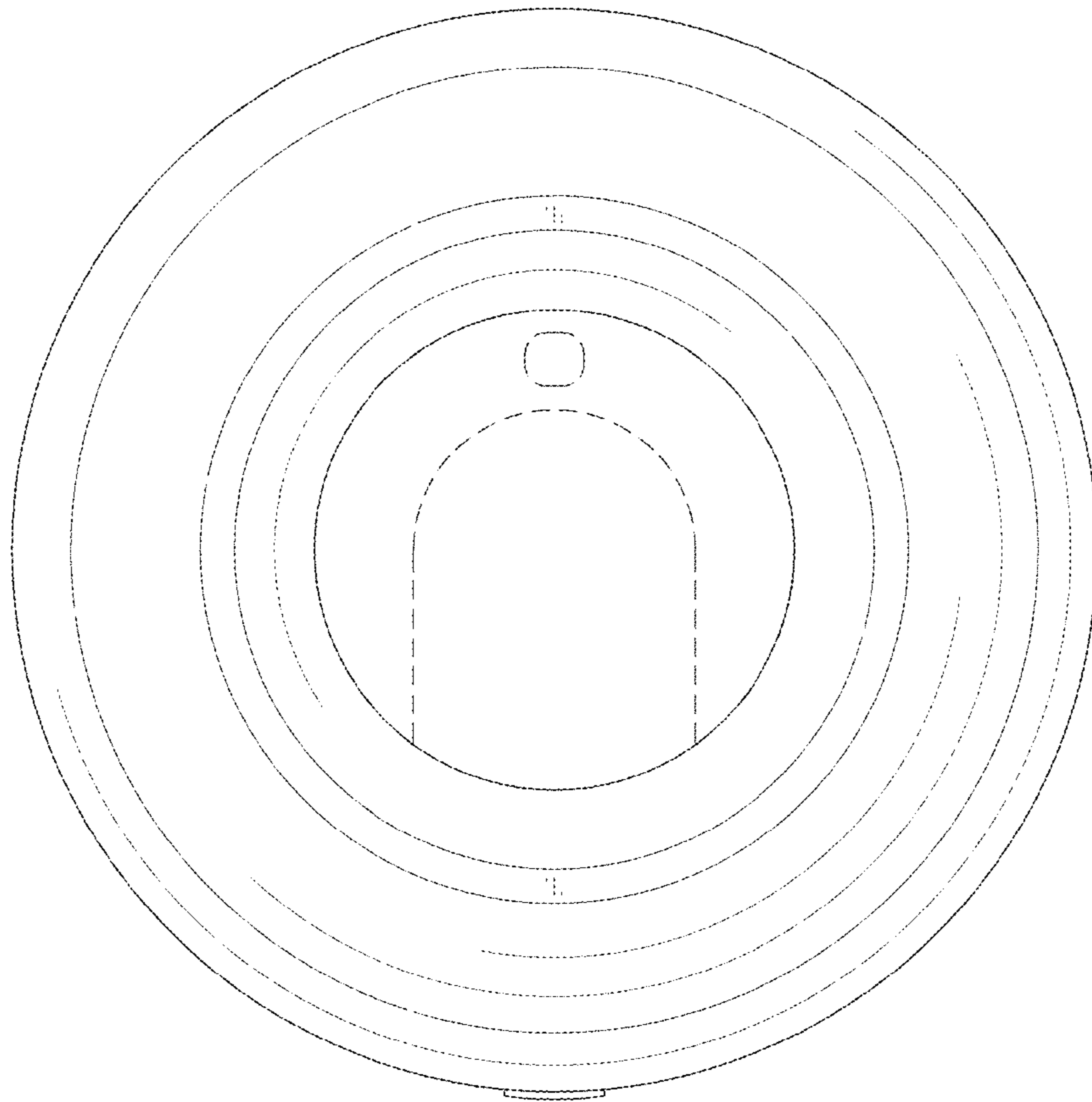


FIG. 6



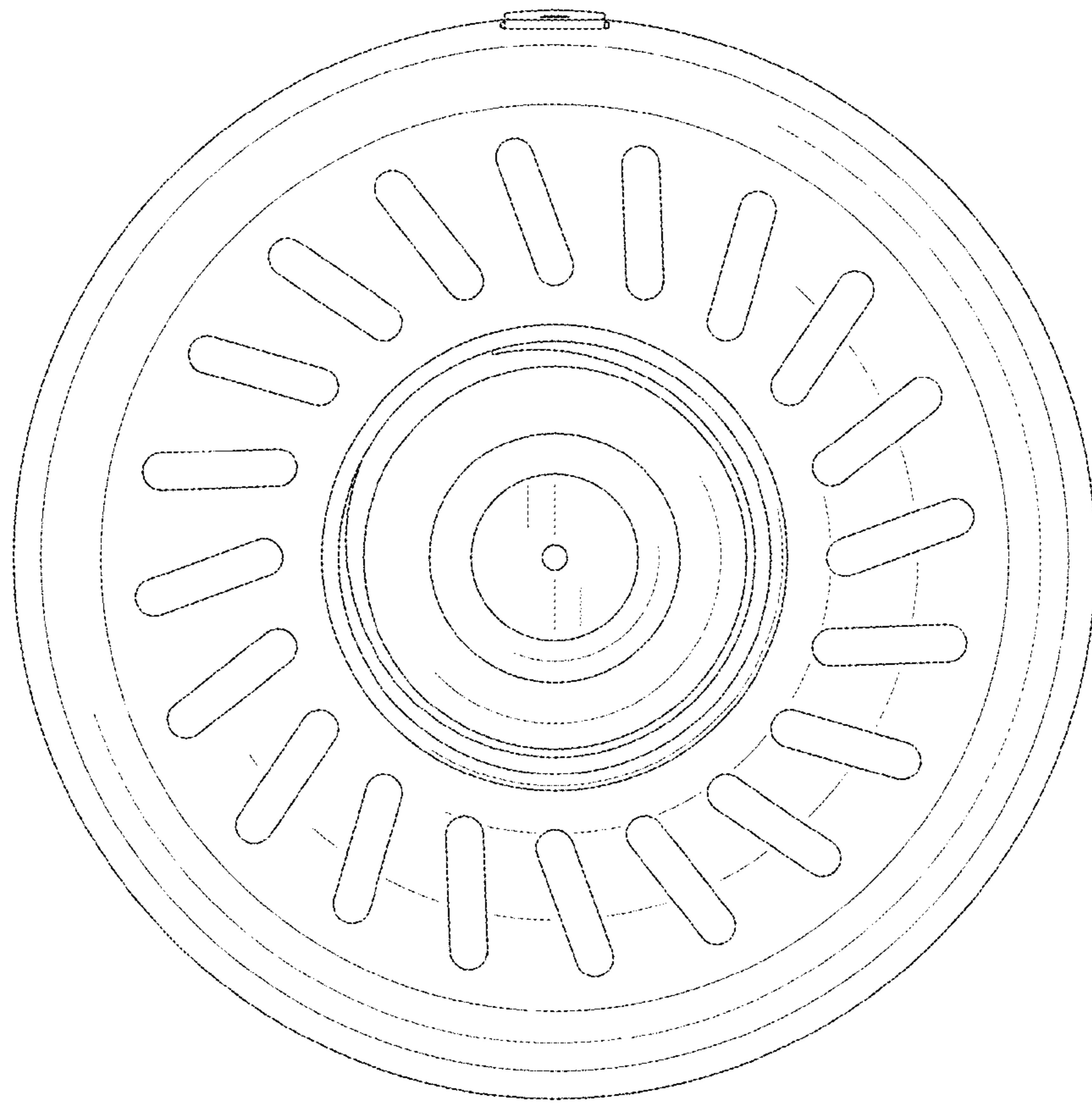


FIG. 7