

US00D860942S

(12) **United States Design Patent** (10) **Patent No.:** **US D860,942 S**
Hilker (45) **Date of Patent:** **** Sep. 24, 2019**

- (54) **ELECTRIC MOTOR**
- (71) Applicant: **Siemens Aktiengesellschaft**, Munich (DE)
- (72) Inventor: **Thomas Hilker**, Stahnsdorf (DE)
- (73) Assignee: **Siemens Aktiengesellschaft**, Munich (DE)
- (**) Term: **15 Years**
- (21) Appl. No.: **29/673,336**
- (22) Filed: **Dec. 13, 2018**

- D464,621 S 10/2002 Segawa
 - D479,541 S 9/2003 Lannoch
 - D538,743 S * 3/2007 Katada D13/112
 - D568,811 S * 5/2008 Andersson D13/112
 - D573,091 S * 7/2008 Shih D13/112
 - D576,941 S 9/2008 Evon et al.
 - D578,063 S 10/2008 Lannoch
 - D587,194 S 2/2009 Pourkermani
 - D587,648 S 3/2009 Lannoch
 - D593,943 S 6/2009 Lannoch
 - 7,781,926 B2 * 8/2010 Schmidt H02K 5/06
310/77
 - D667,372 S 9/2012 Lannoch
 - D673,667 S 1/2013 McElveen et al.
 - D678,194 S 3/2013 Lannoch
 - D682,784 S 5/2013 Tomczak
 - D682,901 S * 5/2013 Peschel D15/143
- (Continued)

Related U.S. Application Data

- (62) Division of application No. 29/601,791, filed on Apr. 26, 2017.

Foreign Application Priority Data

- Oct. 28, 2016 (EM) 003438282
- (51) **LOC (12) Cl.** **13-01**
- (52) **U.S. Cl.**
USPC **D13/112**
- (58) **Field of Classification Search**
USPC D13/112, 113, 114, 122, 123, 199;
D15/1-5, 148, 149, 199; D23/314
CPC B60K 7/0007; B60K 200/0092; B60L
15/2009; Y02T 10/72; Y02T 10/7275
See application file for complete search history.

References Cited

U.S. PATENT DOCUMENTS

- D269,014 S * 5/1983 Tumidajewicz D15/149
- D314,742 S 2/1991 Sieber
- D332,081 S 12/1992 Sieber
- D336,890 S * 6/1993 Hirose D13/112
- D429,216 S * 8/2000 Hemphill D12/114

FOREIGN PATENT DOCUMENTS

- EP 2633604 B1 4/2017
- Primary Examiner* — Garth Rademaker
- Assistant Examiner* — Fritzgerald L Butac
- (74) *Attorney, Agent, or Firm* — Schiff Hardin LLP

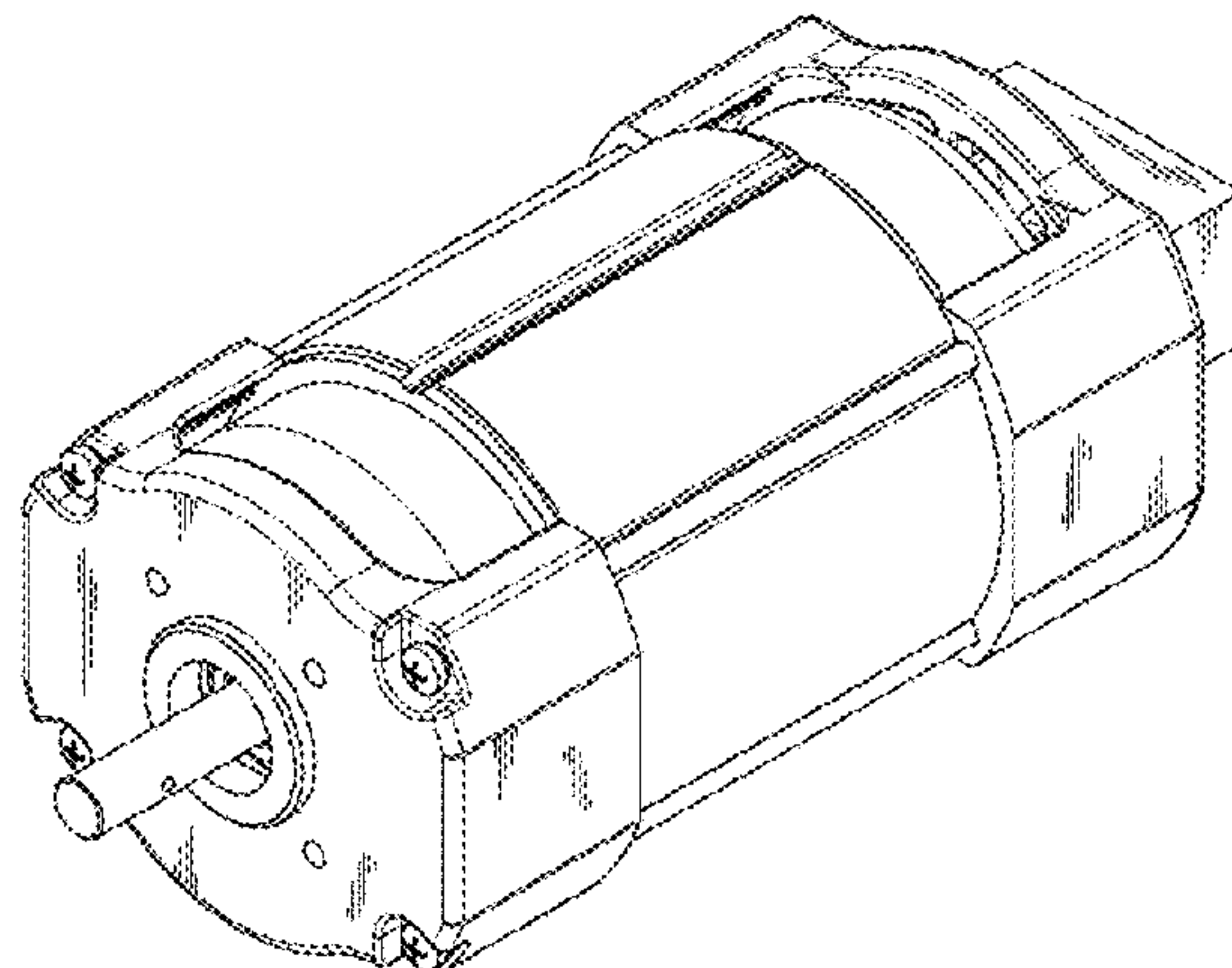
CLAIM

The ornamental design for an electric motor, as shown and described.

DESCRIPTION

FIG. 1 is a front elevational view of an electric motor showing our new design;
FIG. 2 is a back elevational view thereof;
FIG. 3 is a top plan view thereof;
FIG. 4 is a bottom plan view thereof;
FIG. 5 is a side elevational view of the right side thereof;
FIG. 6 is a side elevational view of the left side thereof; and,
FIG. 7 is a perspective view taken generally from the top, front, right-hand side thereof.

1 Claim, 7 Drawing Sheets



(56)

References Cited

U.S. PATENT DOCUMENTS

D703,253 S *	4/2014	Lannoch	D15/148	D797,173 S *	9/2017	Ebner	D15/148
D704,756 S *	5/2014	Voelker	D15/148	D798,928 S *	10/2017	Ebner	D15/148
D705,816 S	5/2014	Katada		D801,925 S *	11/2017	Andersson	D13/112
D706,304 S	6/2014	Katada		D801,926 S	11/2017	Sakai et al.	
D709,450 S *	7/2014	Tanabe	D13/112	D806,030 S	12/2017	Pfefferkorn et al.	
D713,338 S *	9/2014	Lannoch	D13/112	D809,459 S	2/2018	Battistella	
D742,316 S	11/2015	Sato et al.		D813,165 S *	3/2018	Grillenberger	D13/112
D753,591 S	4/2016	Noda et al.		D816,031 S *	4/2018	Sakai	D13/112
D758,310 S	6/2016	Veeh et al.		D817,276 S *	5/2018	Ozaki	D13/112
D776,055 S	1/2017	Wallace et al.		D817,277 S *	5/2018	Cai	D13/112
D777,815 S *	1/2017	Ebner	D15/148	D817,373 S *	5/2018	Goos	D15/148
D779,428 S	2/2017	Mayer		D817,877 S *	5/2018	Grillenberger	D13/112
D780,118 S *	2/2017	Rudolph	D13/112	D821,470 S *	6/2018	Ebner	D15/148
D781,943 S *	3/2017	Ries	D15/148	D823,251 S *	7/2018	Battistella	D13/112
D784,431 S *	4/2017	Liou	D15/143	D823,802 S *	7/2018	Battistella	D13/112
D789,432 S *	6/2017	Tokuda	D15/148	D824,852 S *	8/2018	Cai	D13/112
D790,616 S *	6/2017	Tokuda	D15/148	D826,277 S *	8/2018	Scott	D15/1
D795,934 S *	8/2017	Ebner	D15/148	D826,285 S *	8/2018	Yaegashi	D15/9
				D833,972 S *	11/2018	Pflueger	D13/112
				D835,039 S *	12/2018	Grillenberger	D13/112
				2018/0023682 A1	1/2018	Reineberg et al.	

* cited by examiner

FIG. 1

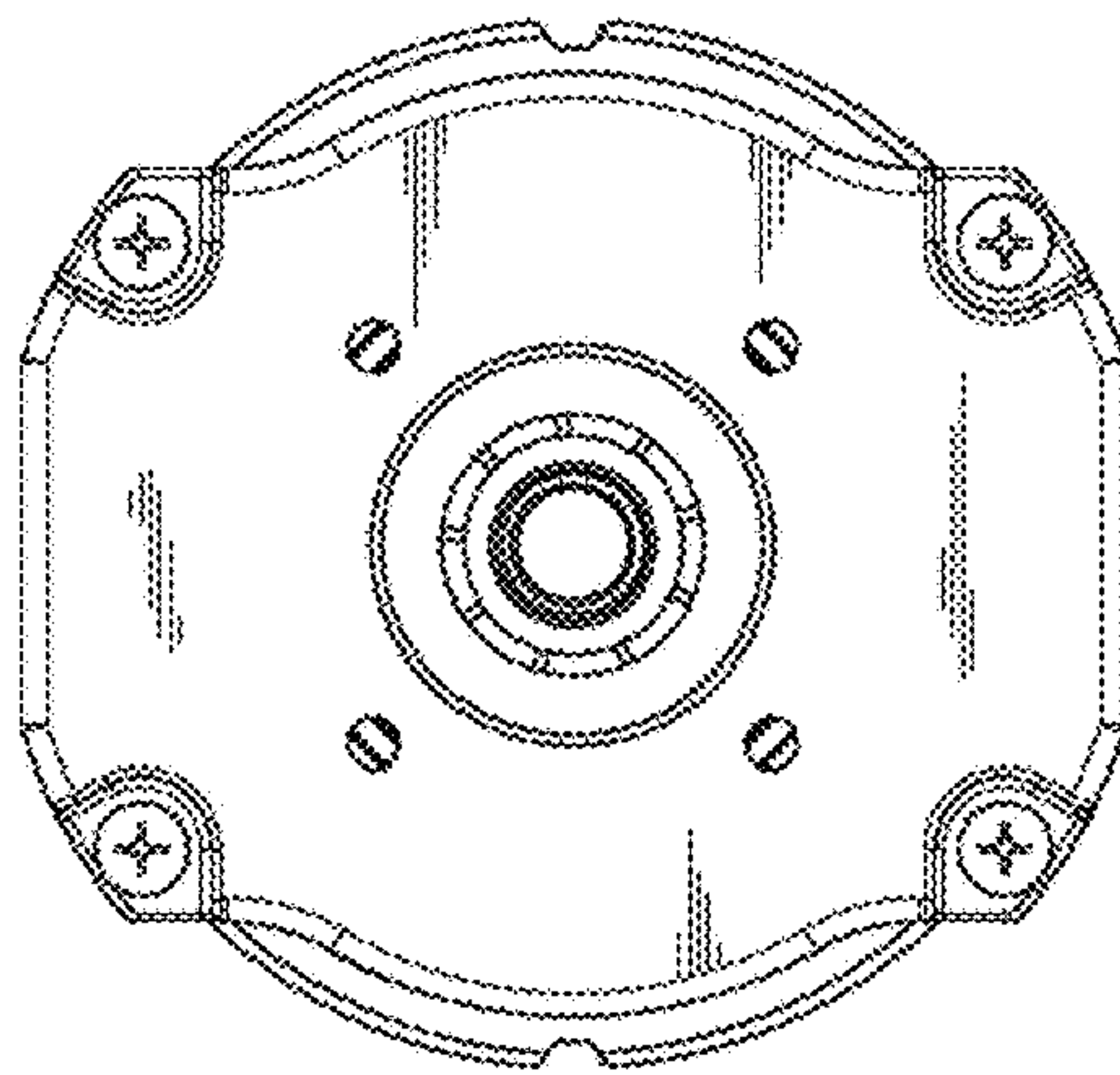


FIG. 2

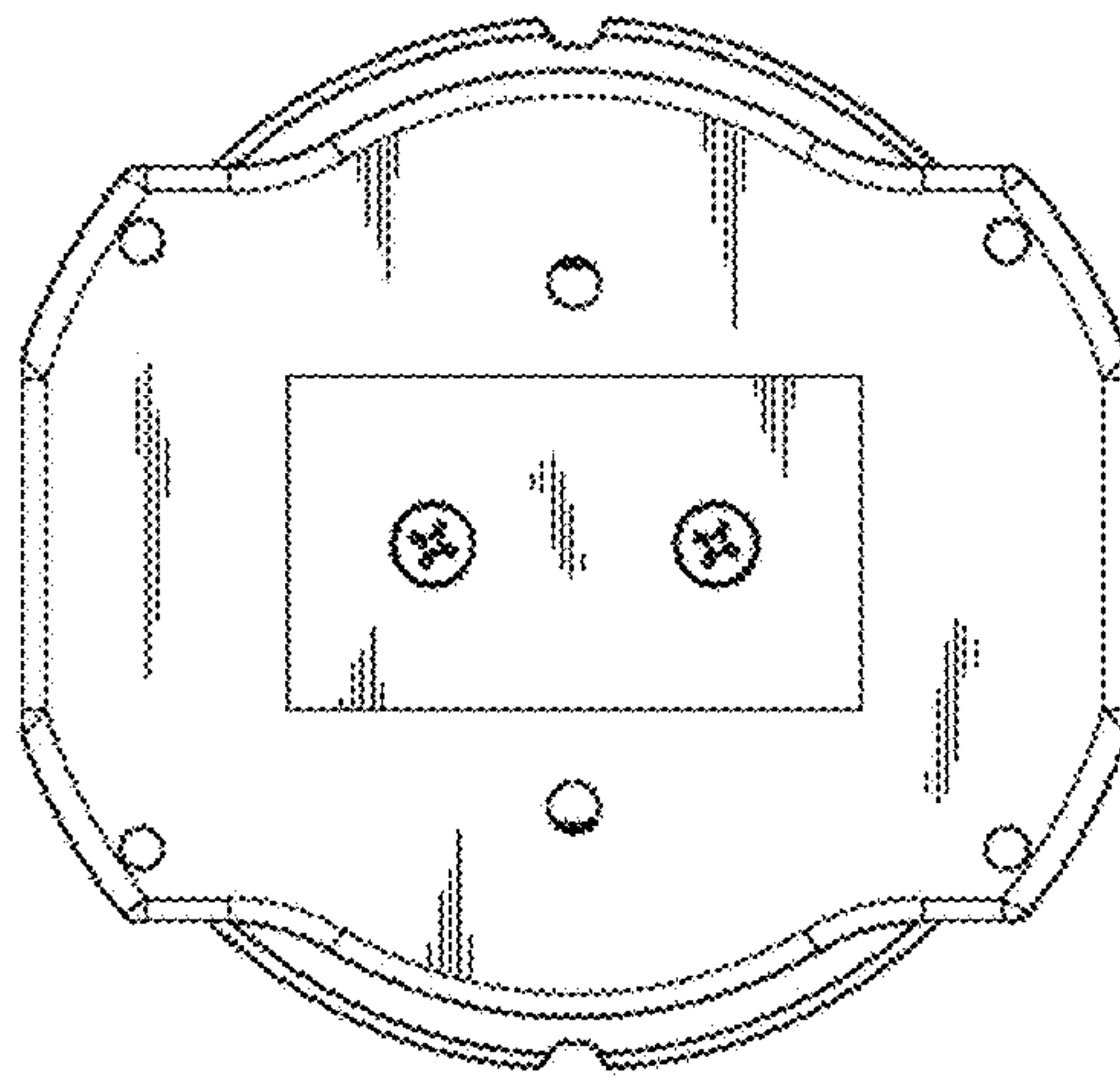


FIG. 3

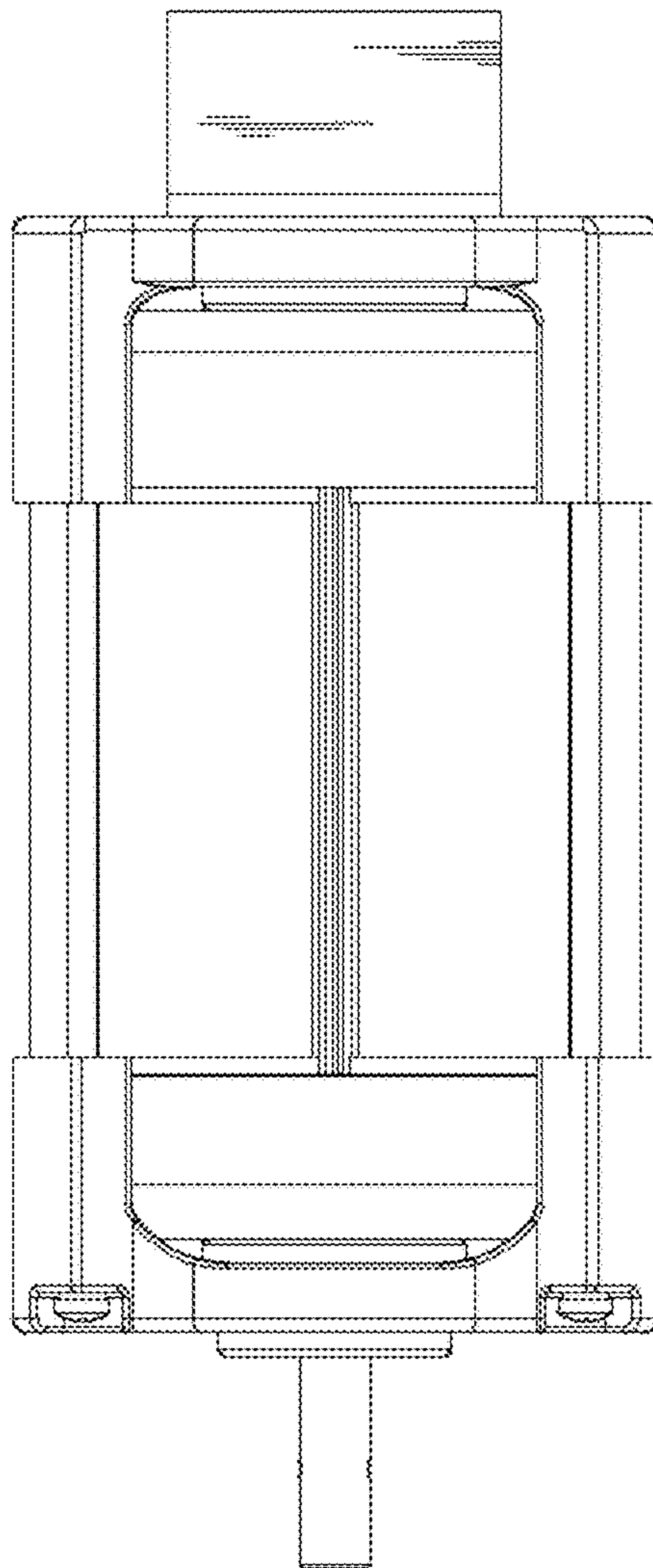


FIG. 4

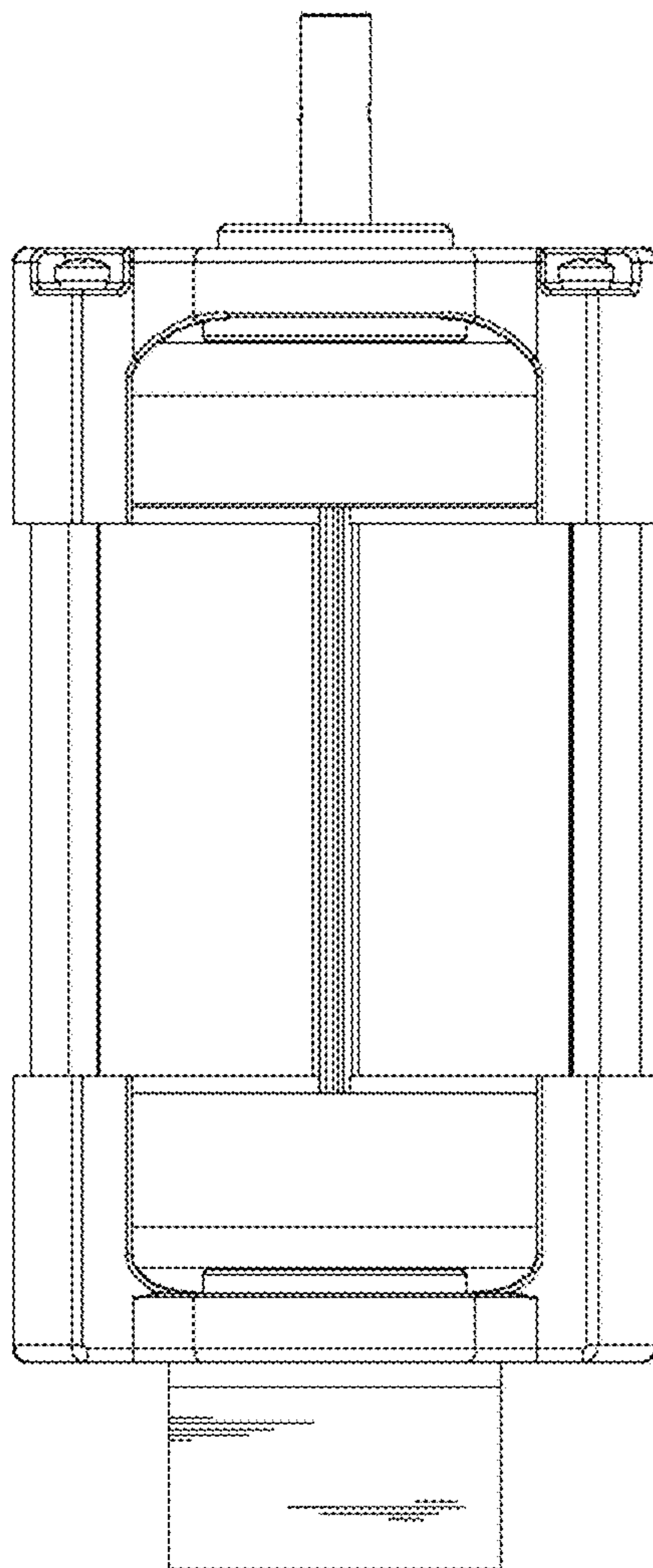


FIG. 5

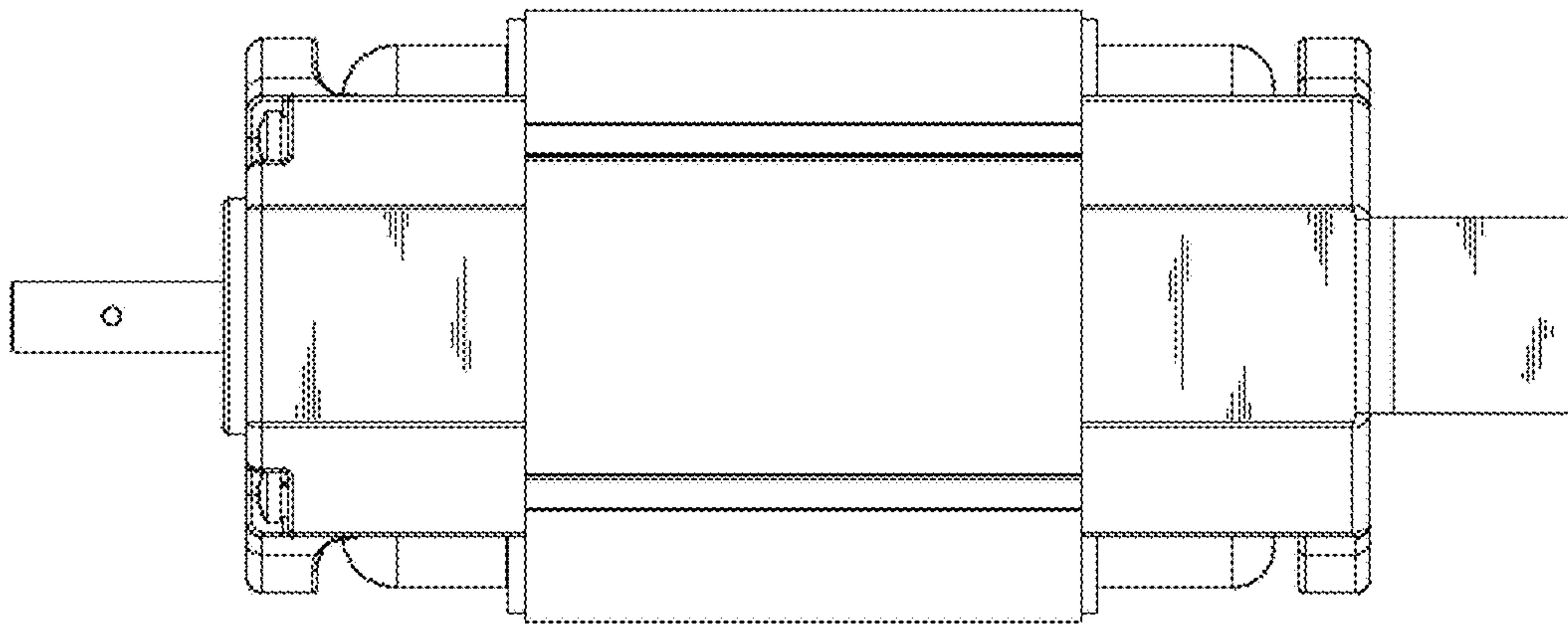


FIG. 6

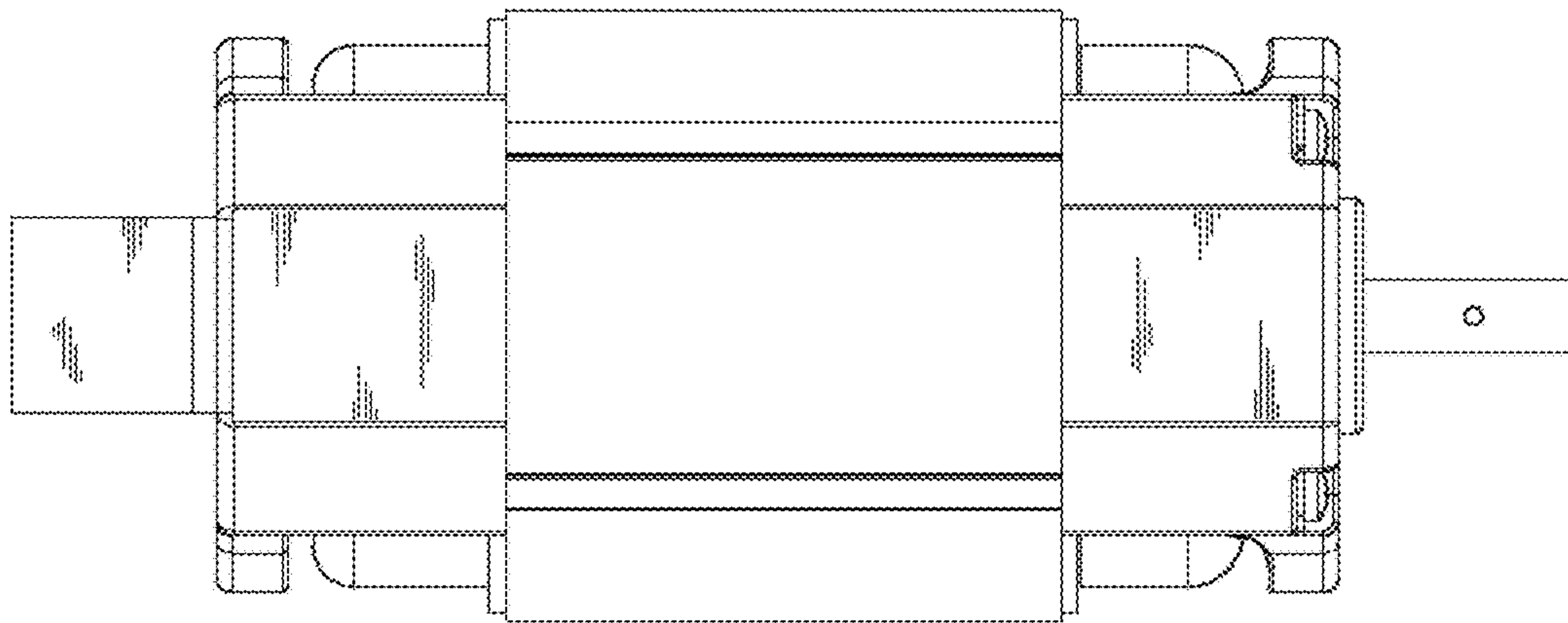


FIG. 7

