



US00D860941S

(12) **United States Design Patent**  
**Wheeler**

(10) **Patent No.:** **US D860,941 S**

(45) **Date of Patent:** **\*\* Sep. 24, 2019**

(54) **GENERATOR**

(71) Applicant: **ANGIODYNAMICS, INC.**, Latham,  
NY (US)

(72) Inventor: **Scott Wheeler**, Queensbury, NY (US)

(73) Assignee: **ANGIODYNAMICS, INC.**, Latham,  
NY (US)

(\*\*) Term: **15 Years**

(21) Appl. No.: **29/614,092**

(22) Filed: **Aug. 16, 2017**

(51) **LOC (12) Cl.** ..... **13-01**

(52) **U.S. Cl.**  
USPC ..... **D13/112; D24/170**

(58) **Field of Classification Search**  
USPC ..... D13/101, 110, 112, 113, 114, 115, 116,  
D13/118, 122; D24/144, 167, 170  
CPC ..... F02B 63/04; F02D 19/066; F24H 9/02;  
A61B 18/1206; A61B 18/1402; A61B  
18/1815; H01R 13/64; H02K 21/042;  
H02K 7/006

See application file for complete search history.

(56) **References Cited**

**U.S. PATENT DOCUMENTS**

4,936,301 A \* 6/1990 Rexroth ..... A61B 18/1485  
606/45  
D491,666 S \* 6/2004 Kimmell ..... D24/170

D546,761 S \* 7/2007 Schnackenberg ..... D13/122  
D552,241 S \* 10/2007 Bromley ..... D24/170  
D704,839 S \* 5/2014 Juzkiw ..... D24/170  
D712,031 S \* 8/2014 Feng ..... D24/144  
D712,352 S \* 9/2014 George ..... D13/112  
D736,933 S \* 8/2015 Qiu ..... D13/112  
D747,491 S \* 1/2016 Thompson ..... D24/170  
D759,250 S \* 6/2016 Engler ..... D24/170  
D793,559 S \* 8/2017 Thompson ..... D24/170

\* cited by examiner

*Primary Examiner* — Derrick E Holland

(74) *Attorney, Agent, or Firm* — Heslin Rothenberg  
Farley & Mesiti P.C.

(57) **CLAIM**

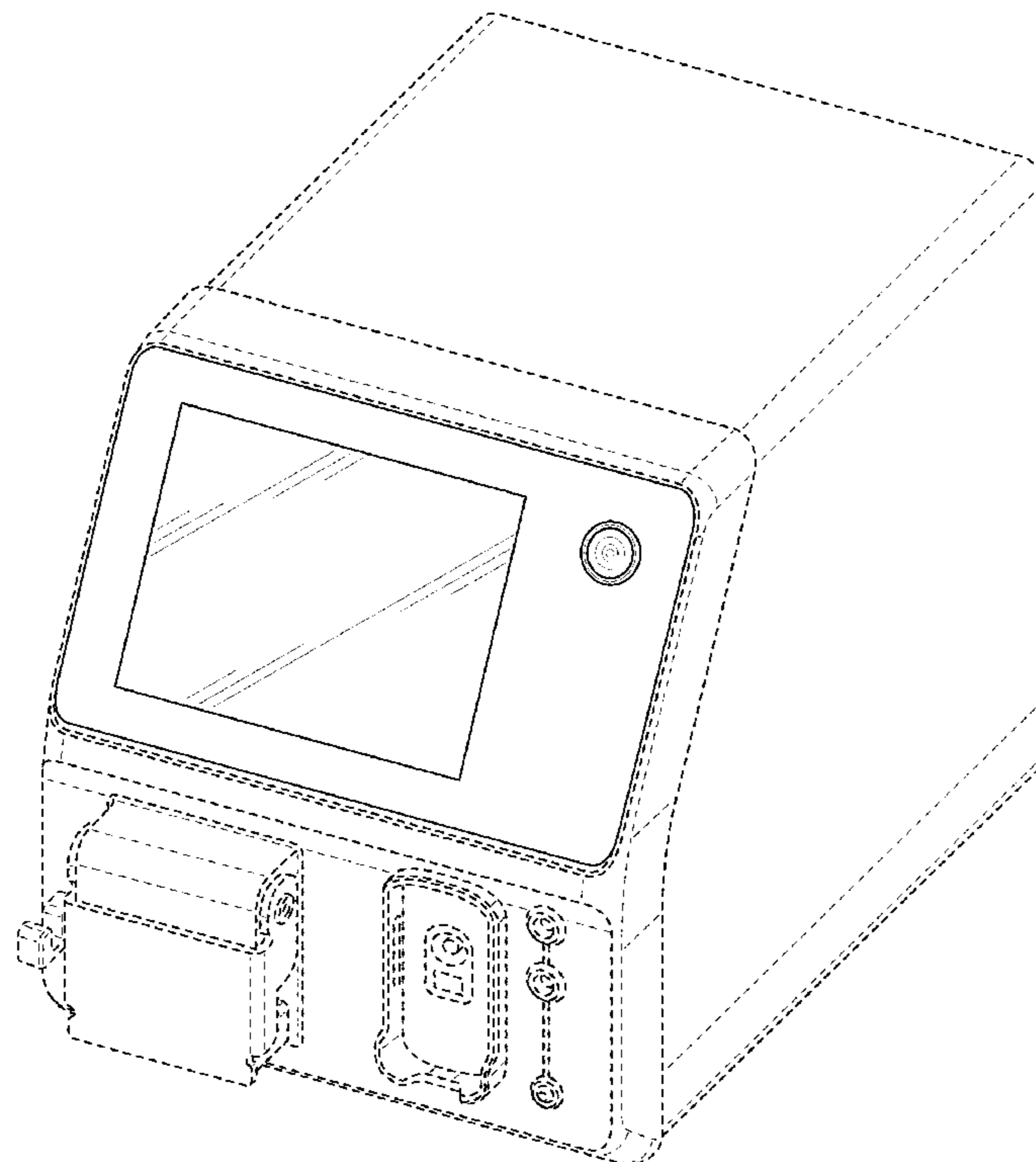
The ornamental design for a generator, as shown and  
described.

**DESCRIPTION**

FIG. 1 is a perspective view of a generator comprising the  
new design;  
FIG. 2 is front view thereof;  
FIG. 3 is a back view thereof;  
FIG. 4 is a right side view thereof;  
FIG. 5 is a left side view thereof;  
FIG. 6 is a top view thereof; and,  
FIG. 7 is a bottom view thereof.

The broken line showing is included for the purpose of  
illustrating portions of the article and forms no part of the  
claimed design.

**1 Claim, 7 Drawing Sheets**



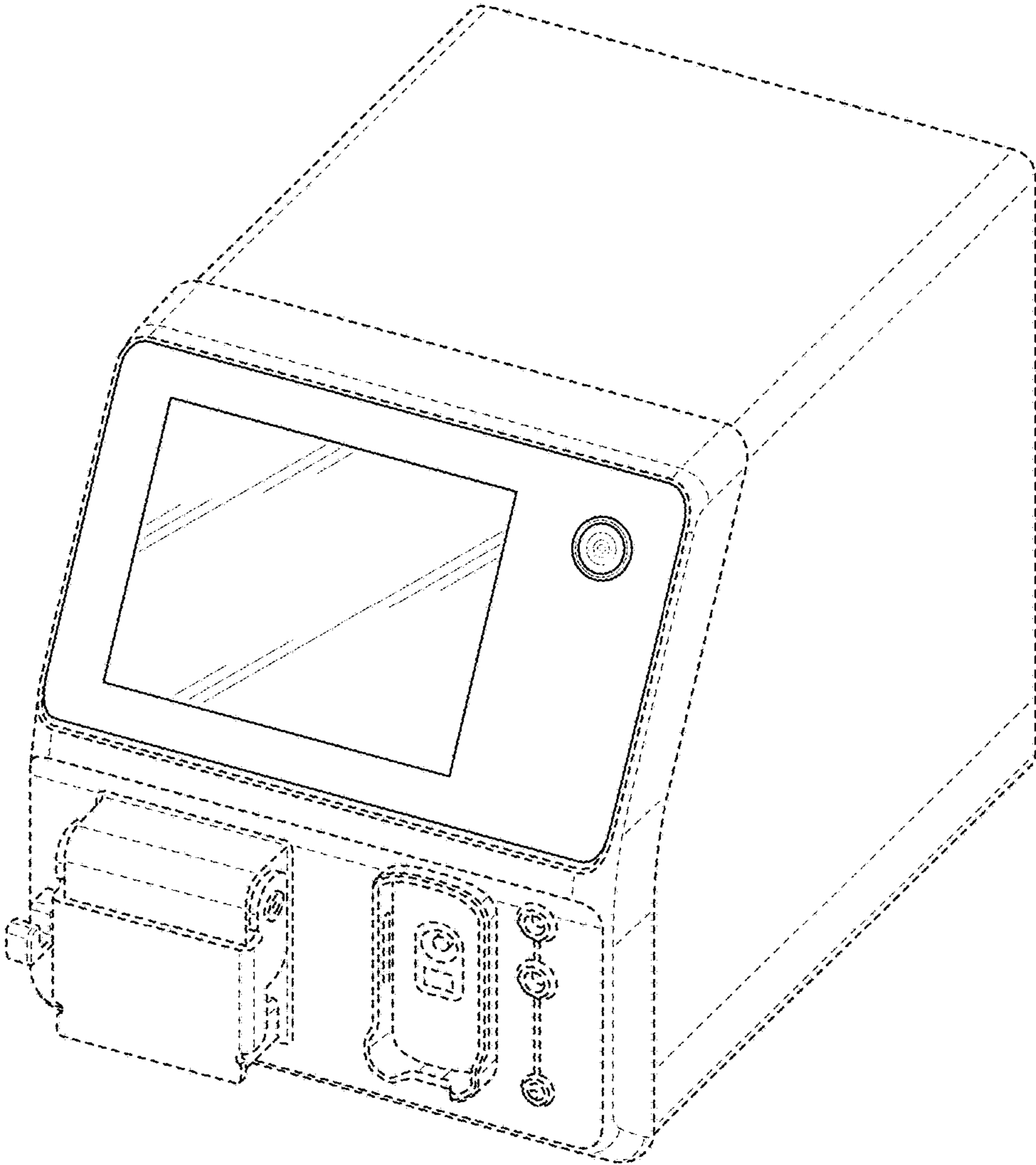


FIG. 1

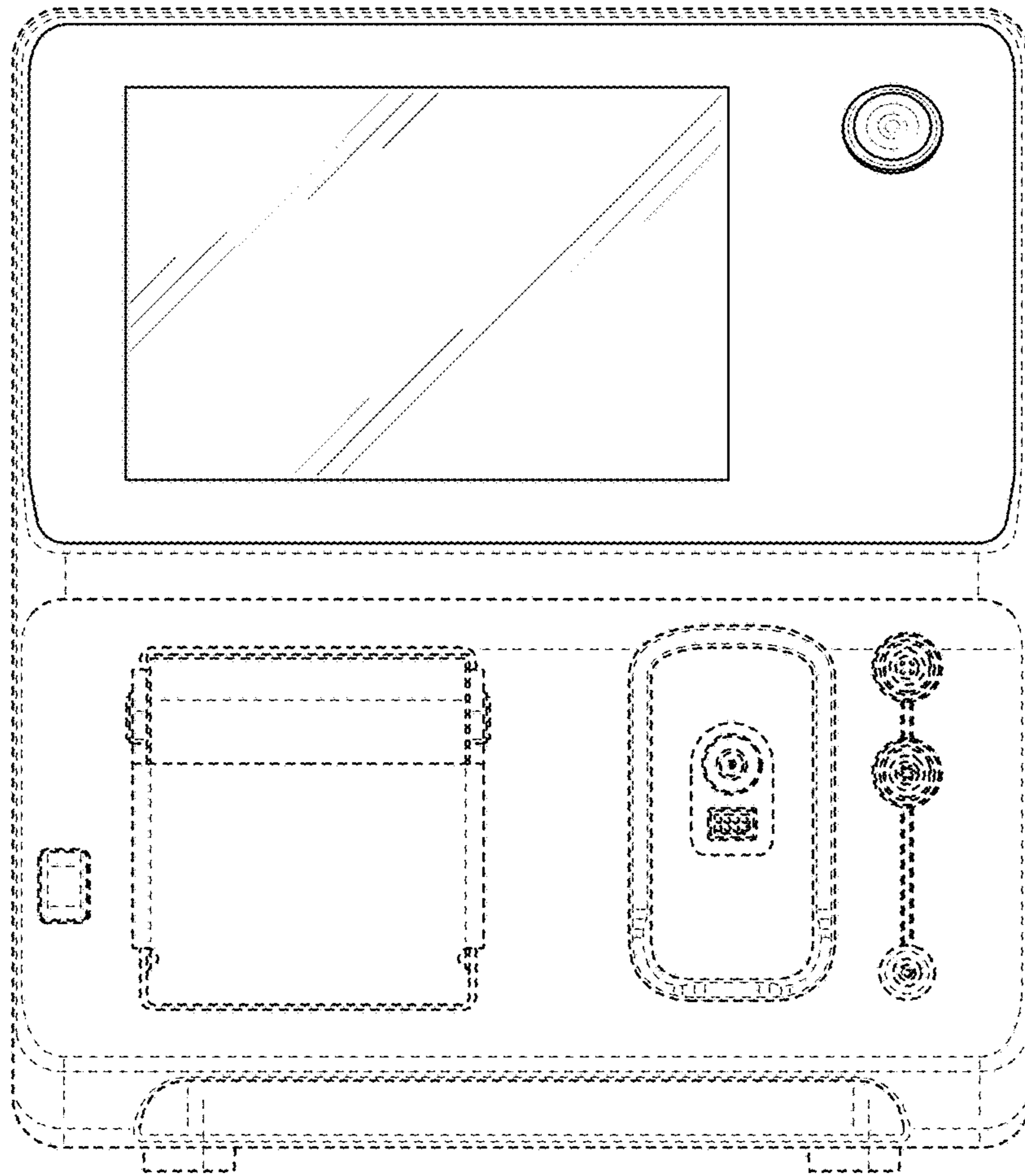


FIG. 2

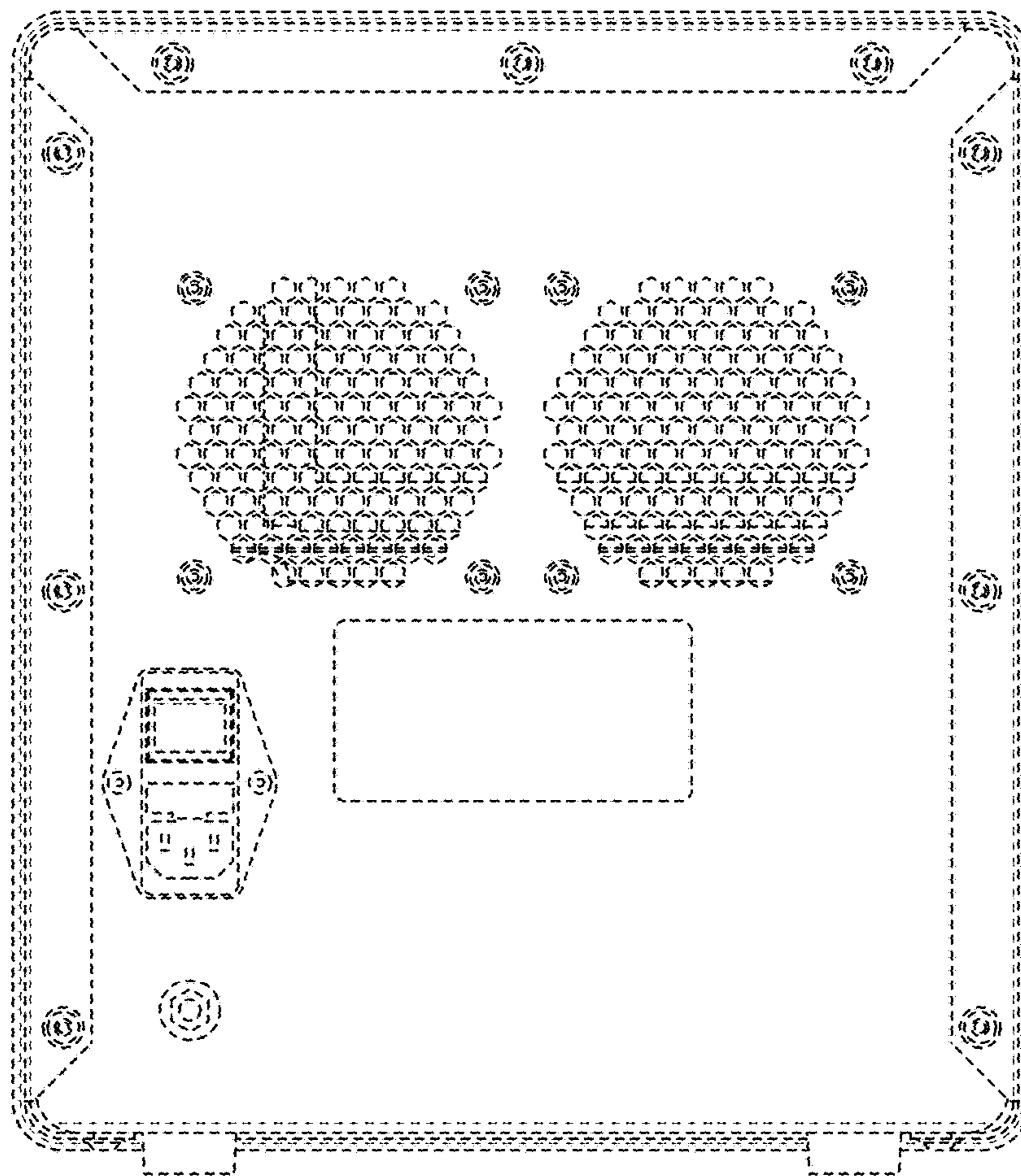


FIG. 3

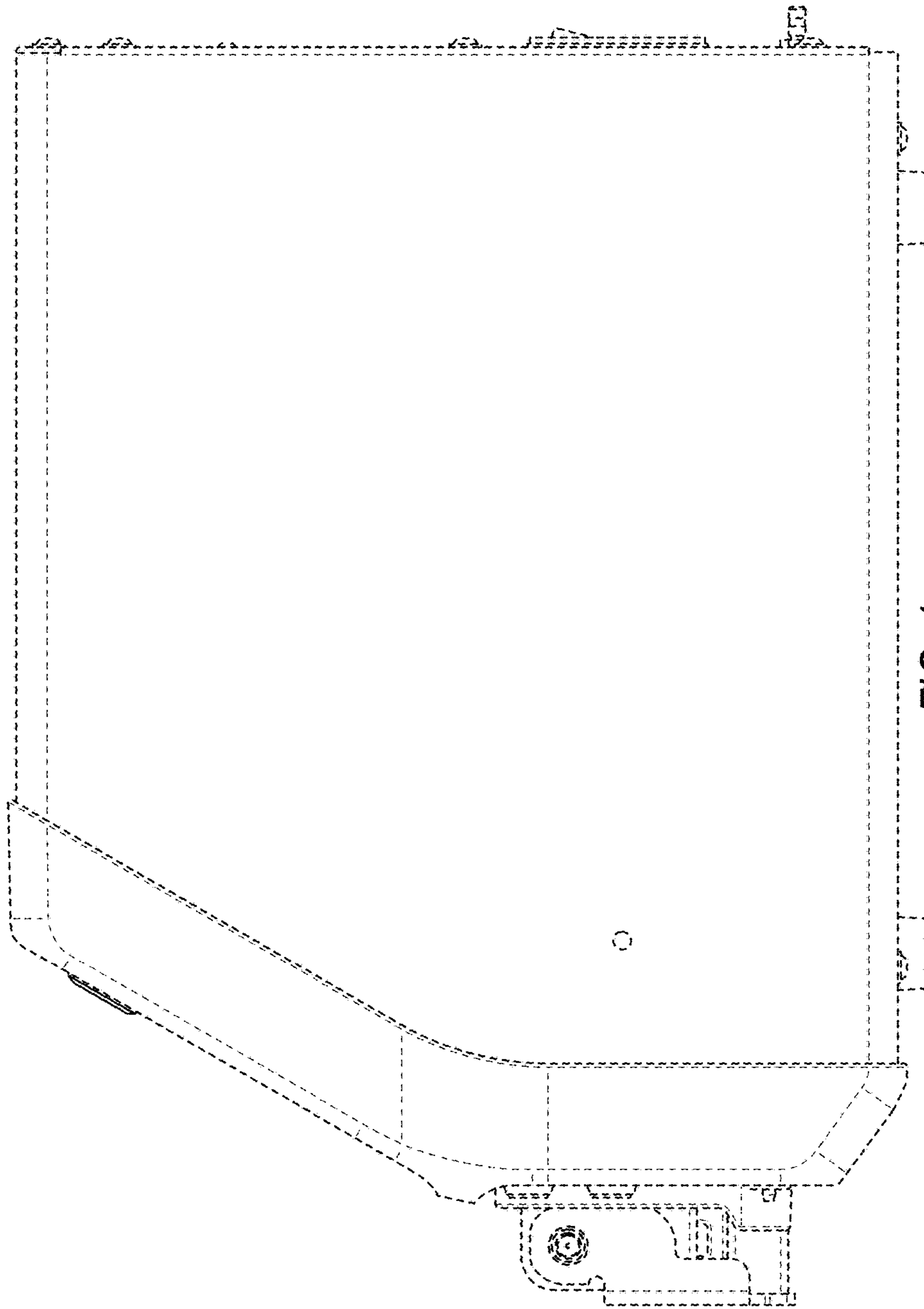


FIG. 4



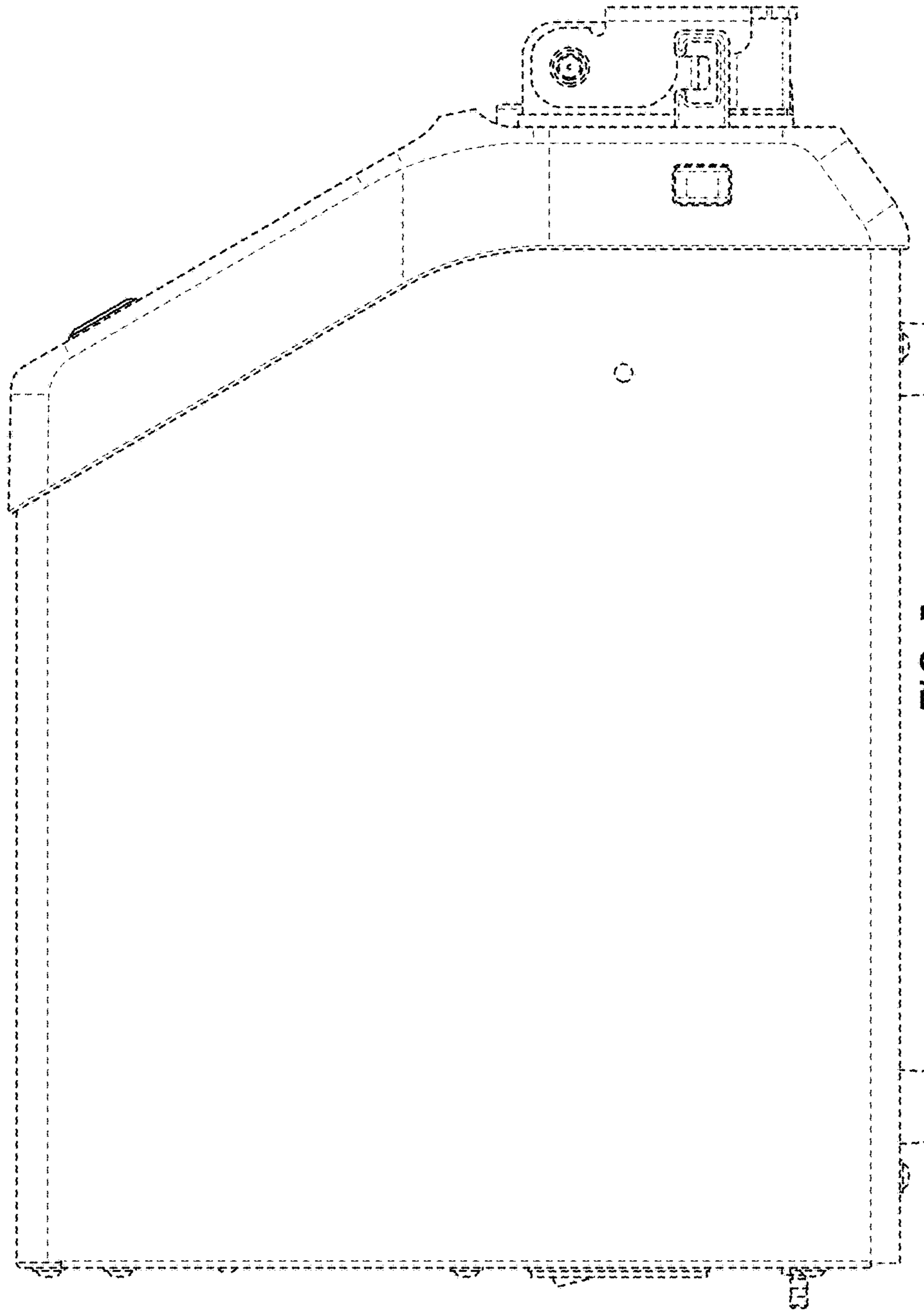


FIG. 5

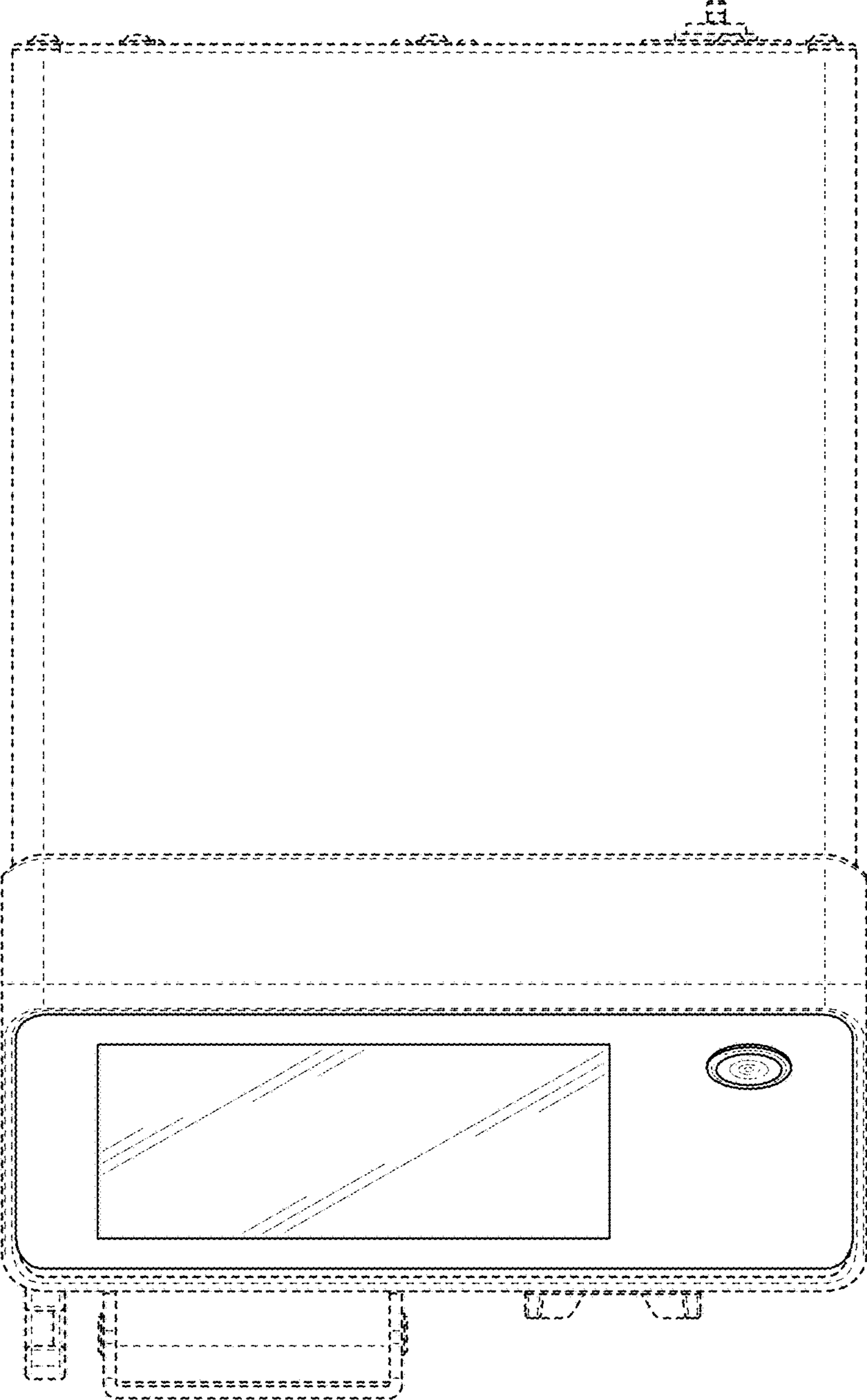


FIG. 6

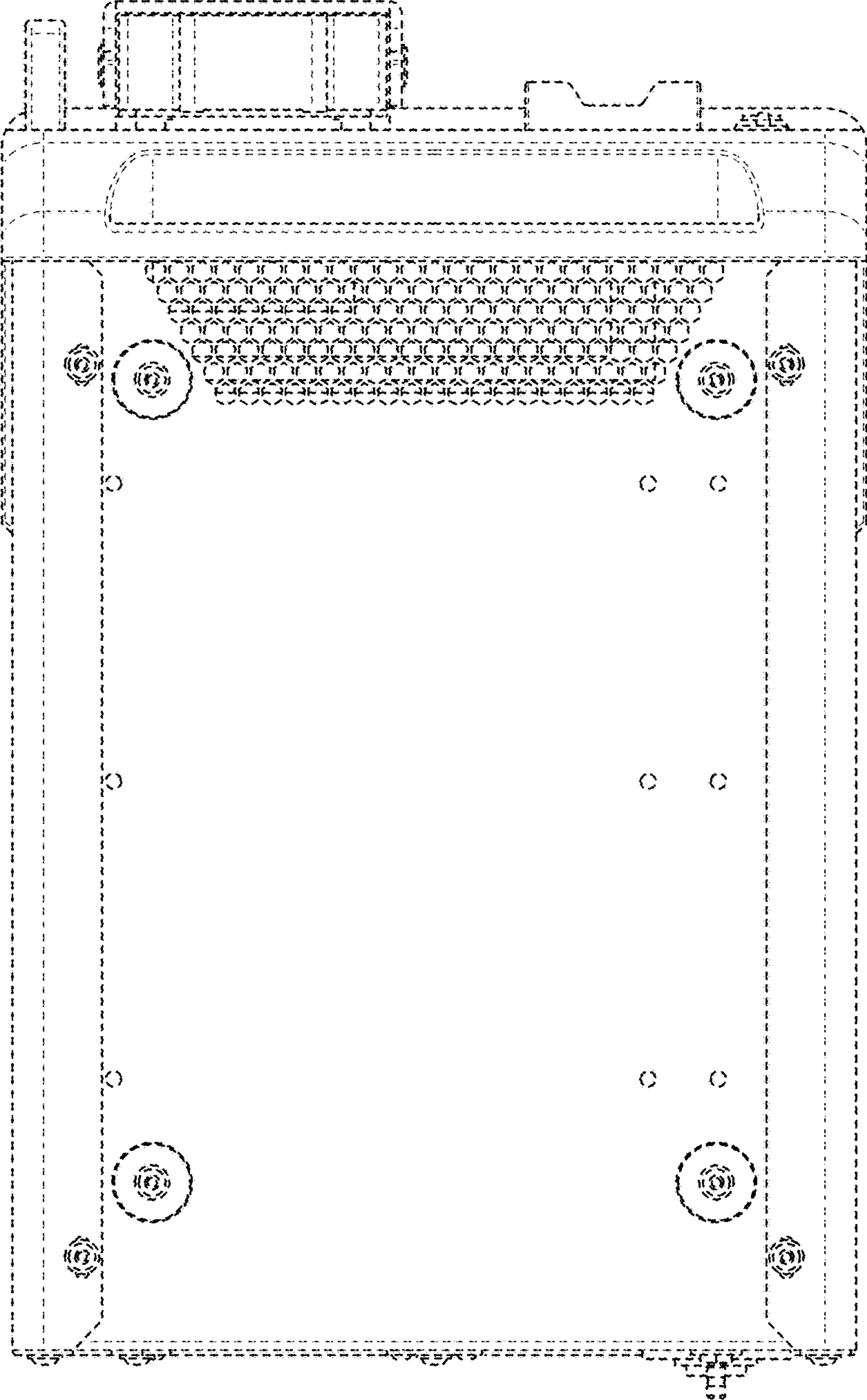


FIG. 7