



US00D860940S

(12) **United States Design Patent**
Delmaere

(10) **Patent No.:** **US D860,940 S**

(45) **Date of Patent:** **** Sep. 24, 2019**

(54) **CURRENT TRANSDUCER**

(71) Applicant: **LEM Intellectual Property SA,**
Fribourg (CH)

(72) Inventor: **Christophe Delmaere,** Yvoire (FR)

(**) Term: **15 Years**

(21) Appl. No.: **35/501,731**

(22) Filed: **Apr. 21, 2016**

(80) **Hague Agreement Data**

Int. Filing Date: **Apr. 21, 2016**

Int. Reg. No.: **DM/090327**

Int. Reg. Date: **Apr. 21, 2016**

Int. Reg. Pub. Date: **Oct. 21, 2016**

(51) **LOC (12) Cl.** **13-02**

(52) **U.S. Cl.**
USPC **D13/110**

(58) **Field of Classification Search**
USPC D13/110, 101, 182; D10/121; D15/148;
324/126

CPC G01R 15/207
See application file for complete search history.

(56) **References Cited**

U.S. PATENT DOCUMENTS

D251,085 S * 2/1979 Fanshawe D10/121
D255,896 S * 7/1980 Barth D13/101

D376,126 S * 12/1996 Henderson D13/101
D613,686 S * 4/2010 Mueller D13/110
D685,734 S * 7/2013 Sage D13/110
D742,842 S * 11/2015 Hayashi D13/182
9,177,718 B2 * 11/2015 Cook H01F 27/06
D751,034 S * 3/2016 Ye D13/110
D769,190 S * 10/2016 Sid D13/110
D769,817 S * 10/2016 Sid D13/110
D795,806 S * 8/2017 Delmaere D13/110
D795,935 S * 8/2017 Jorgensen D15/148
2014/0253100 A1 * 9/2014 Lepine G01R 15/207
324/126

* cited by examiner

Primary Examiner — Rhea Shields

(57) **CLAIM**

The ornamental design for a current transducer, as shown and described.

DESCRIPTION

3.1: Is a bottom, front, left Perspective view of a current transducer showing my new design;

3.2: Is a top, rear, right Perspective view thereof;

3.3: Is a Front elevation view thereof;

3.4: Is a Back elevation view thereof;

3.5: Is a Top plan view thereof;

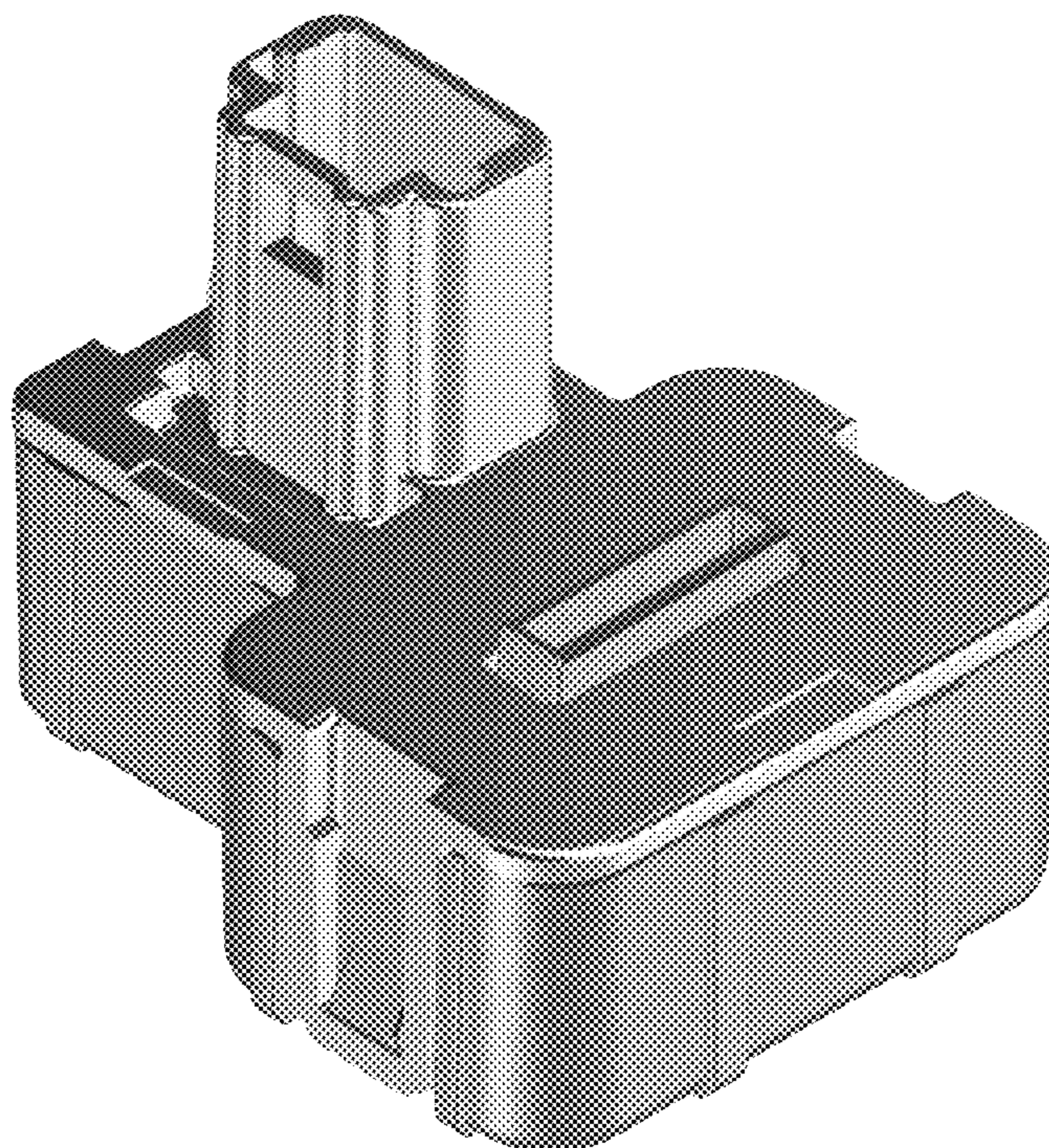
3.6: Is a Bottom plan view thereof;

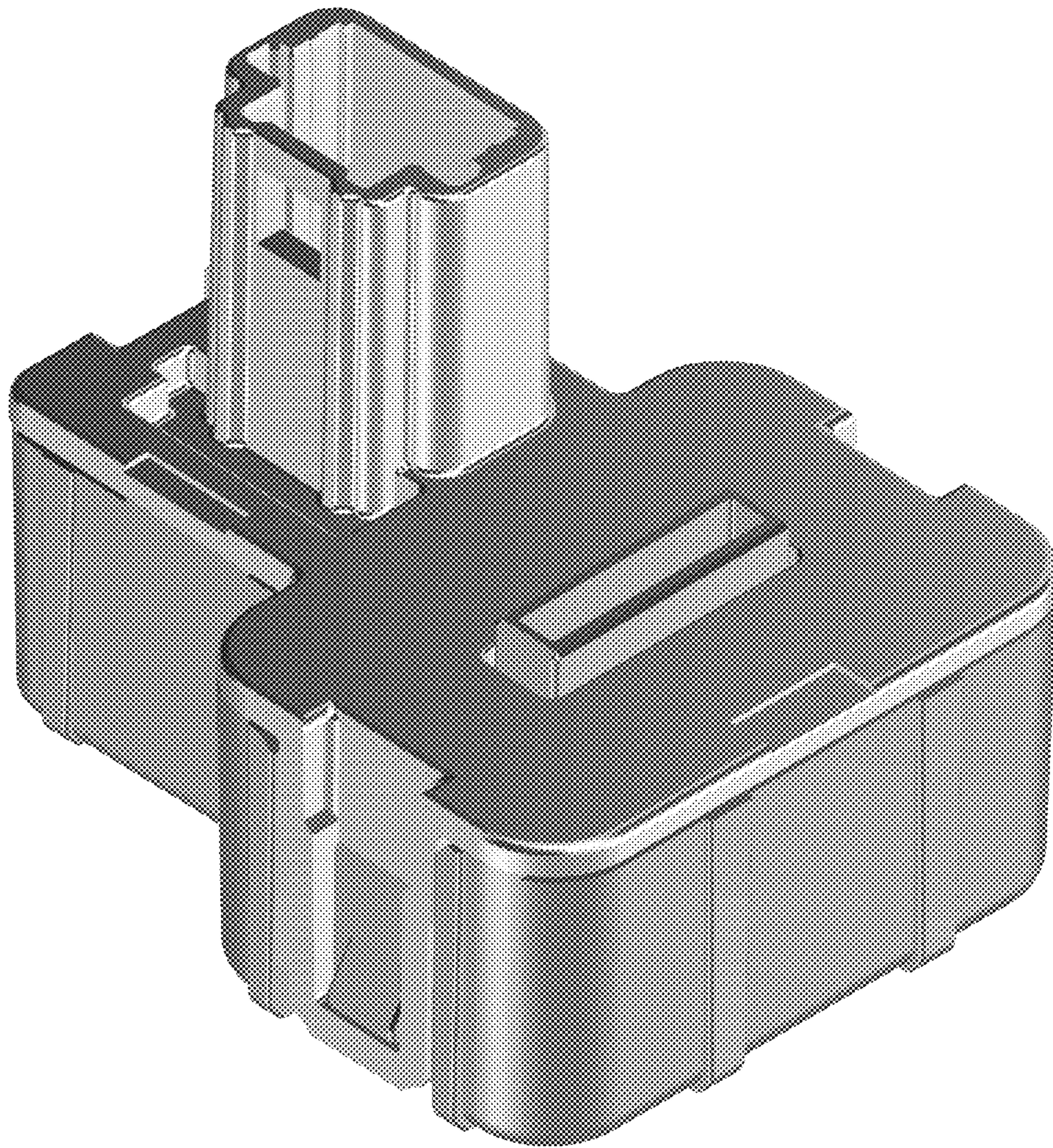
3.7: Is a Left side elevation view thereof; and

3.8: Is a Right side elevation view thereof.

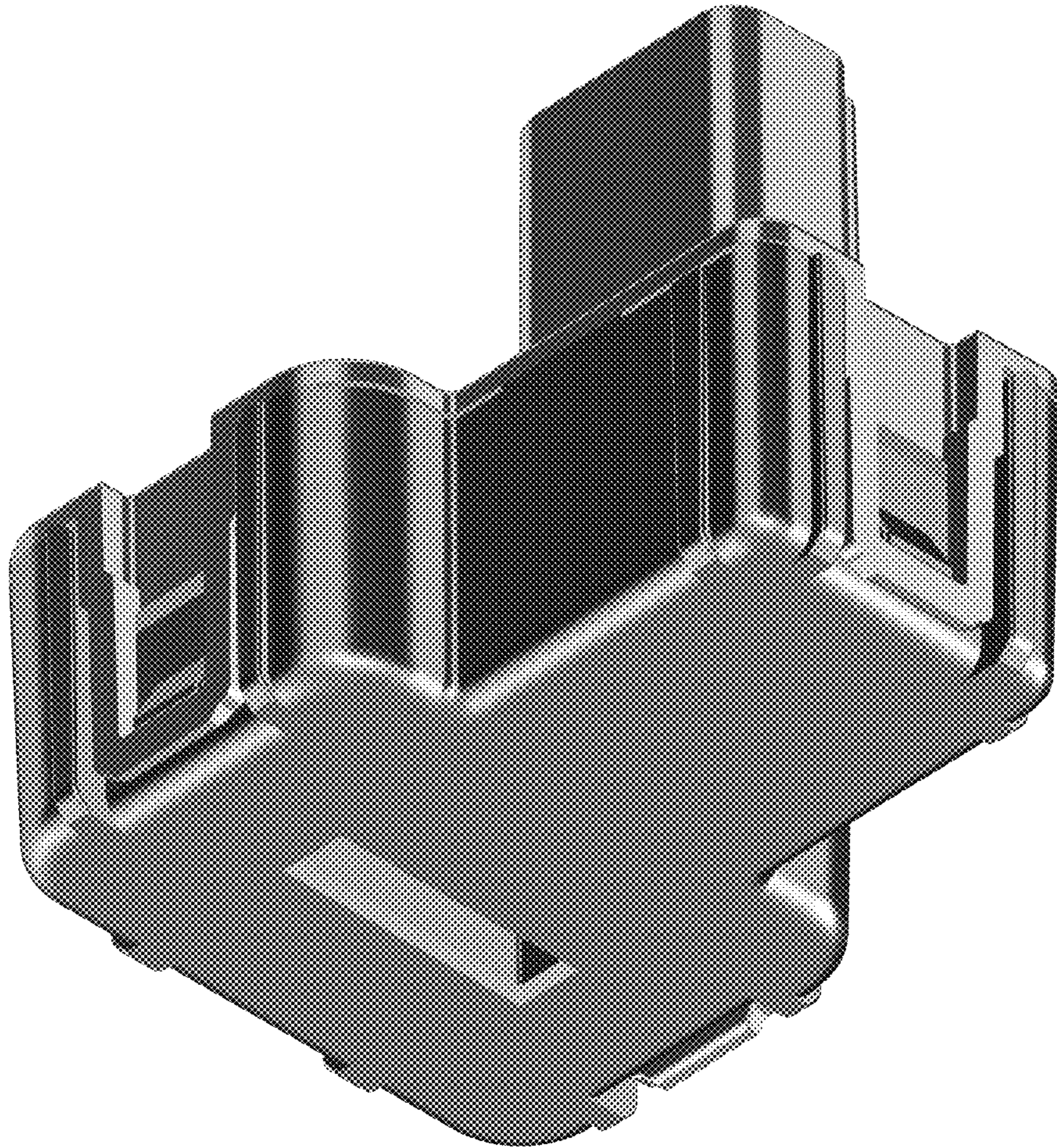
In the drawings, the broken lines are for the purpose of illustrating environment only and form no part of the claimed design.

1 Claim, 8 Drawing Sheets

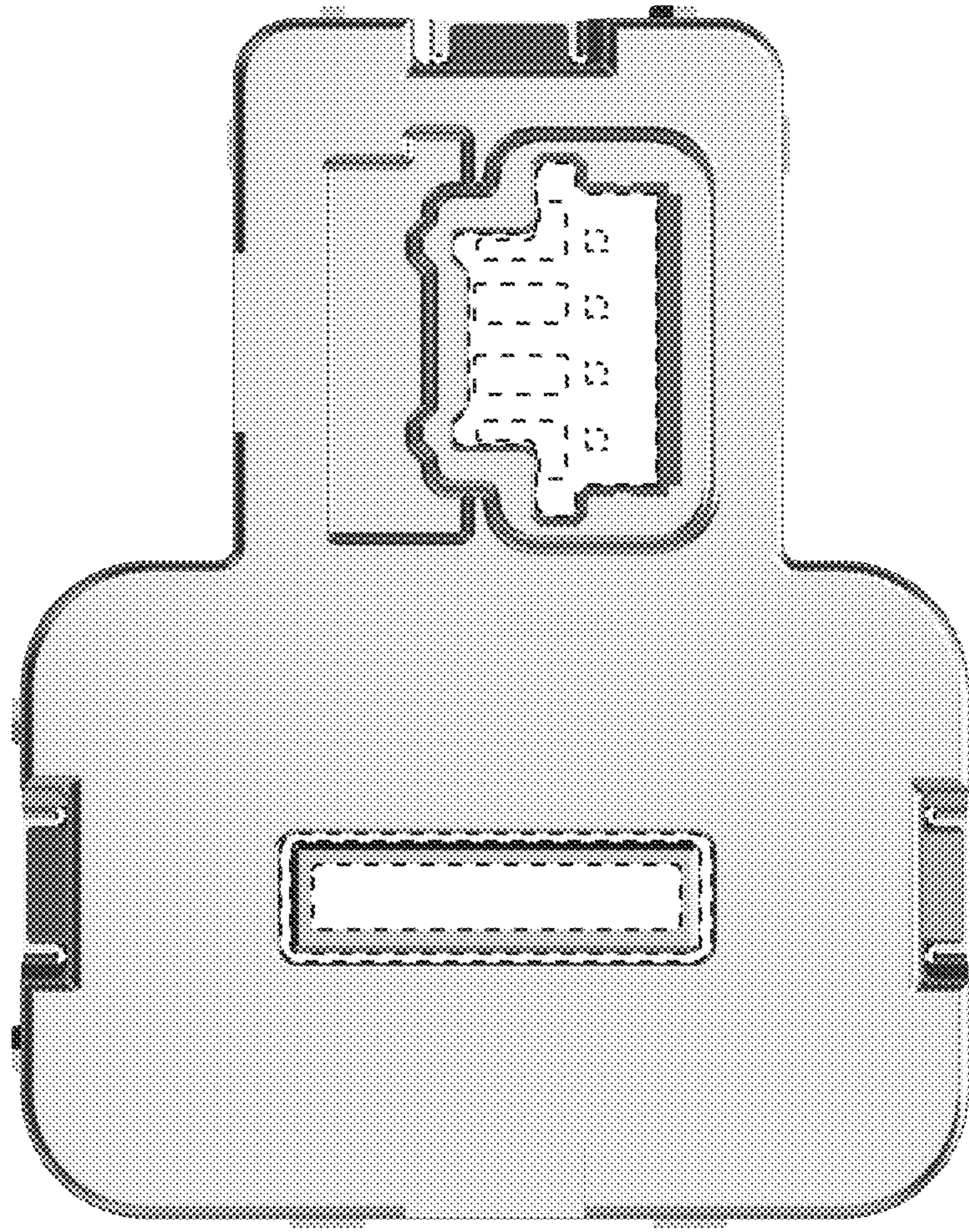




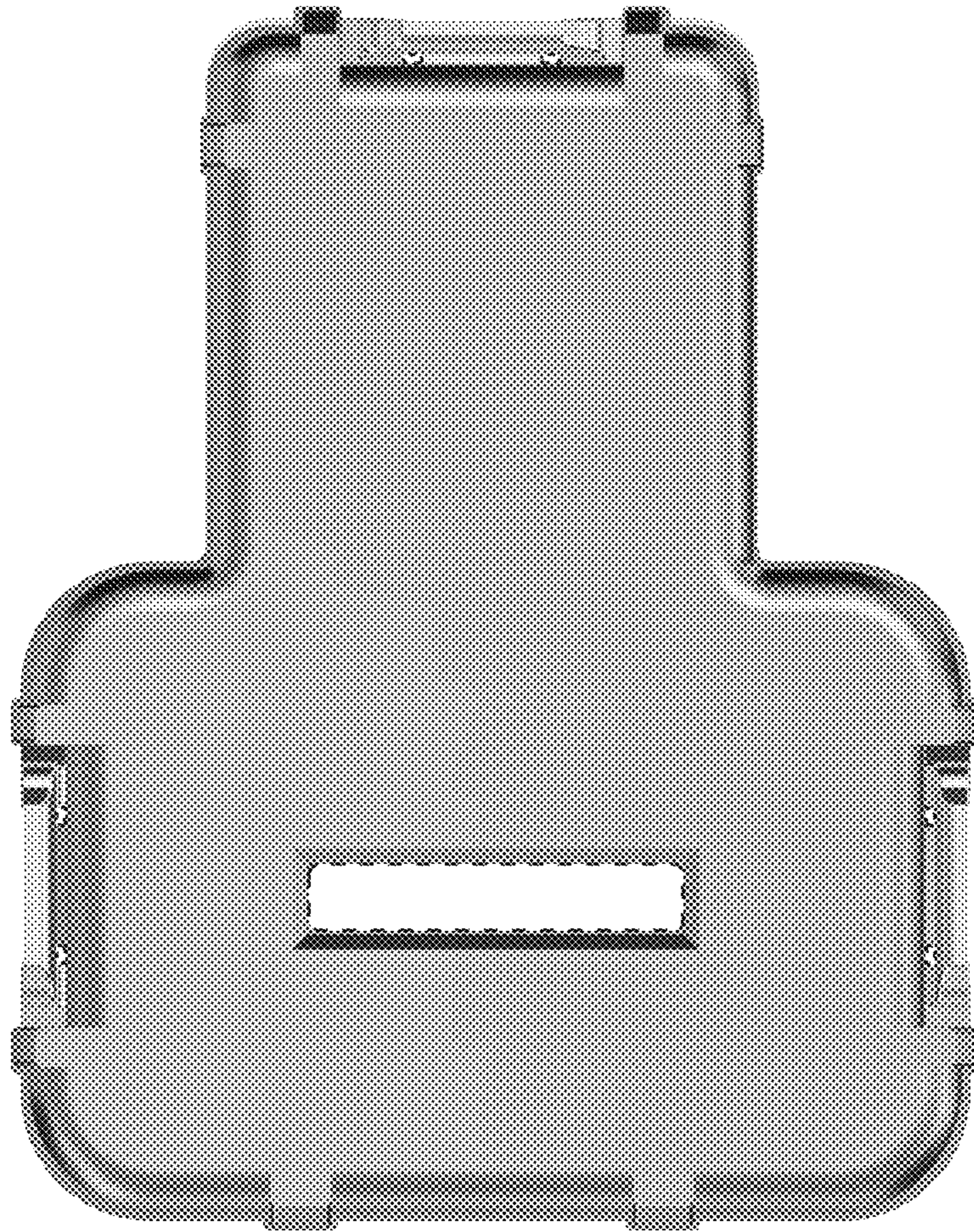
3.1



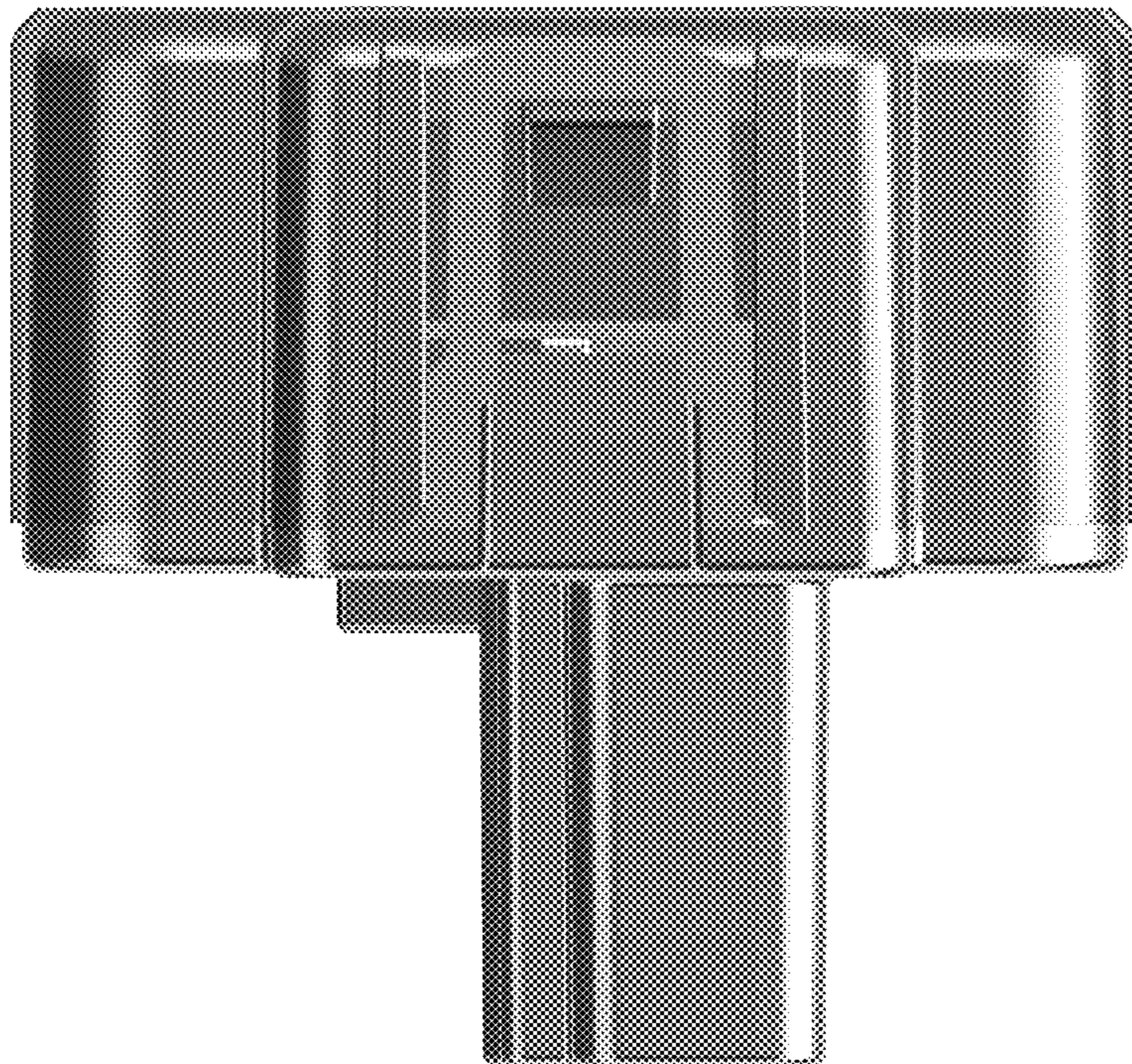
3.2



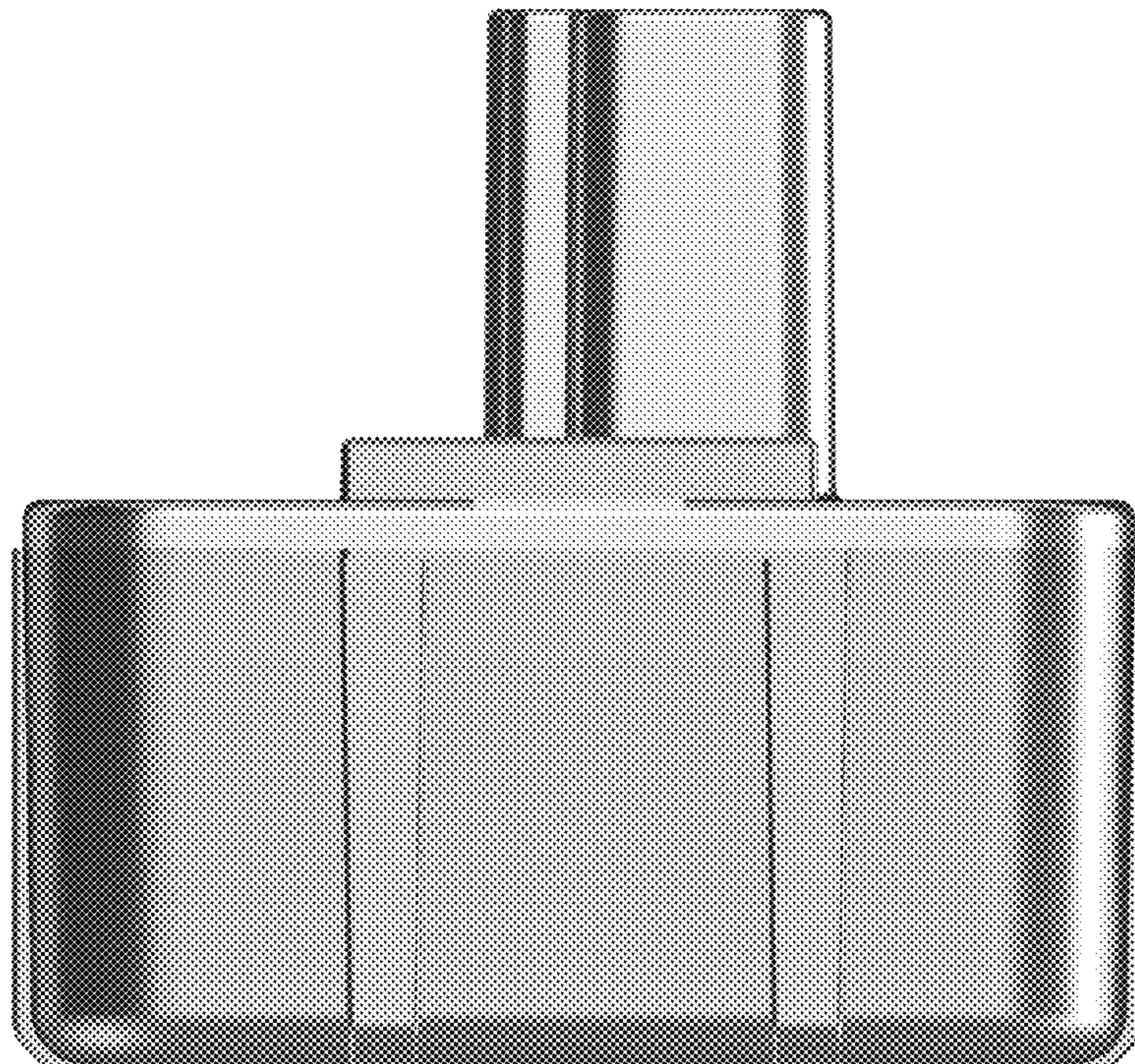
3.3



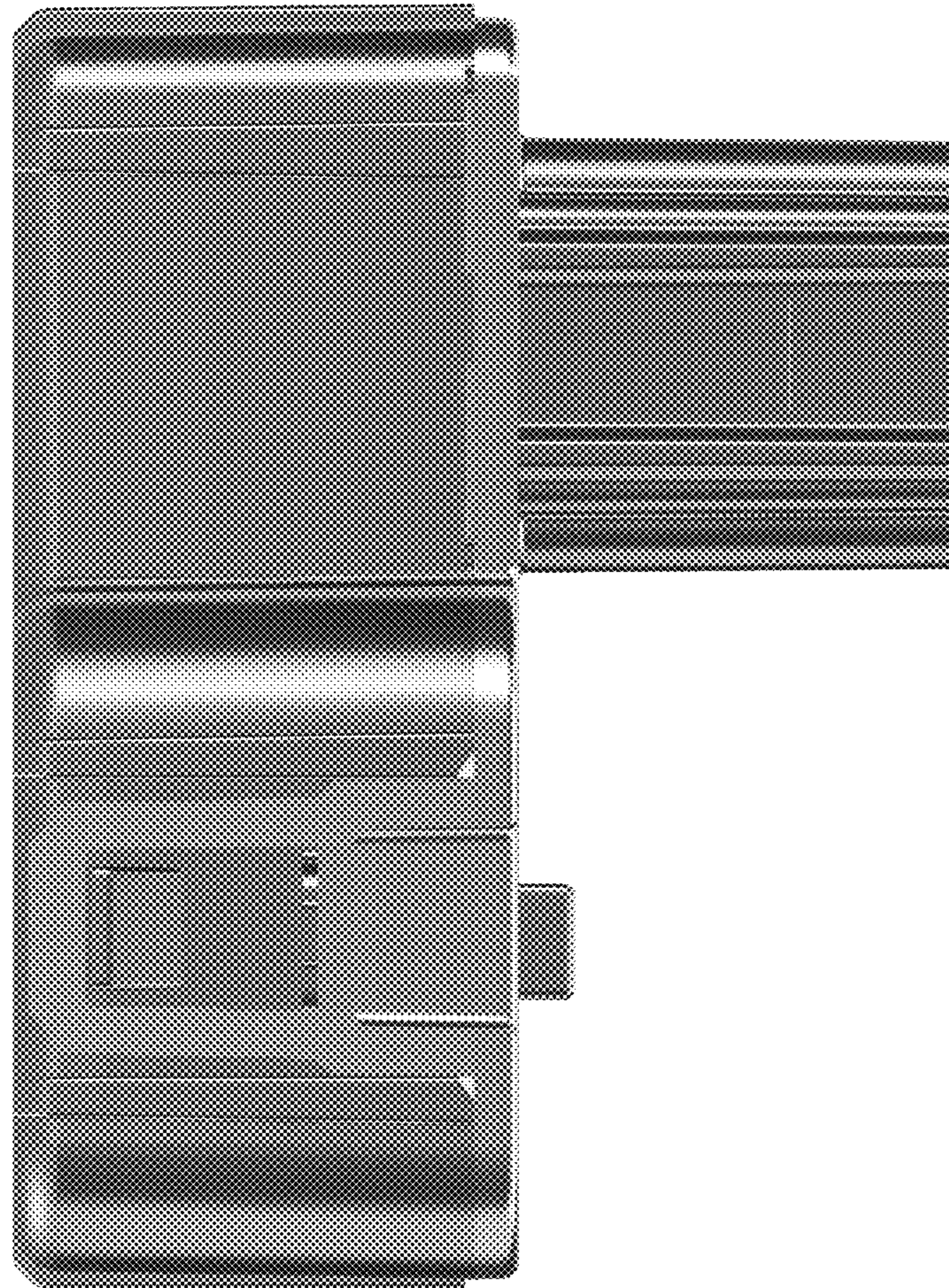
3.4



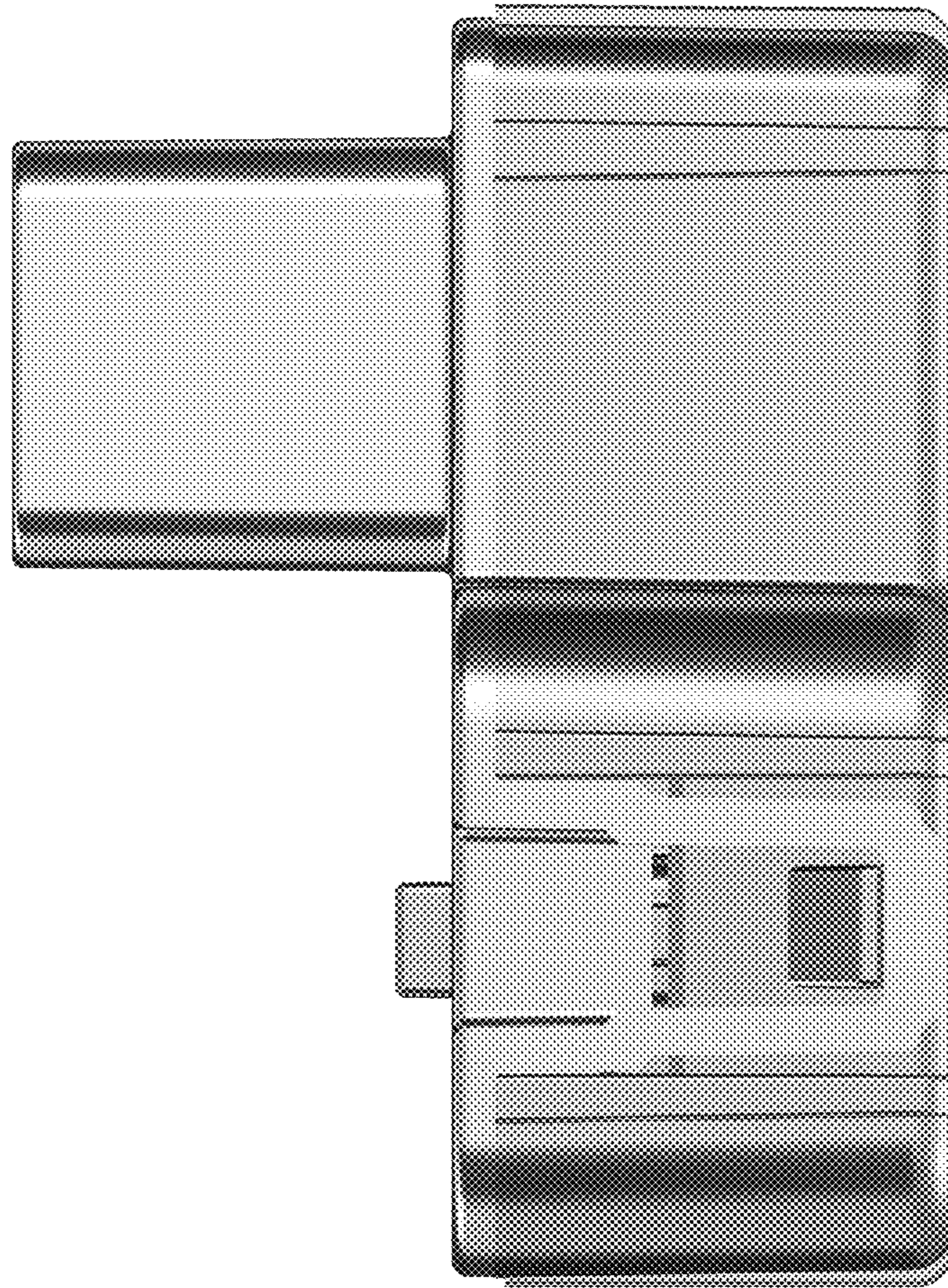
3.5



3.6



3.7



3.8