



US00D860938S

(12) **United States Design Patent**
Lin

(10) **Patent No.:** **US D860,938 S**

(45) **Date of Patent:** **** Sep. 24, 2019**

(54) **WIRELESS CHARGER**

(71) Applicant: **Shenzhen Hongzhipu Technology Co., Ltd.**, Guangdong (CN)

(72) Inventor: **Shengwu Lin**, Guangdong (CN)

(**) Term: **15 Years**

(21) Appl. No.: **29/645,524**

(22) Filed: **Apr. 27, 2018**

(51) **LOC (12) Cl.** **13-02**

(52) **U.S. Cl.**

USPC **D13/108**

(58) **Field of Classification Search**

USPC D13/107-110, 118-119, 184, 199;
D14/251, 253, 432, 434

CPC Y02E 60/12; Y02T 90/14; Y02T 90/122;
Y02T 90/128; Y02T 90/163; Y02T
10/7005; Y02T 10/7088; H02J 7/025;
H02J 7/0042; H02J 7/0044; H02J 7/0045;
H02J 7/0003; H01F 38/14; H01R
13/6675; H01M 2/1022; H01M 2/1055;
H01M 10/44; H01M 10/46; H01M
10/425; B60L 11/182
See application file for complete search history.

(56) **References Cited**

U.S. PATENT DOCUMENTS

D623,133 S * 9/2010 Nomi D13/108
D644,989 S * 9/2011 Guccione D13/108

D654,431 S * 2/2012 Stephanchick D13/108
D669,432 S * 10/2012 Park D13/108
8,823,318 B2 * 9/2014 Liu G06Q 30/02
320/108
D719,505 S * 12/2014 Kim D13/108
D719,506 S * 12/2014 Jung D13/108
D722,023 S * 2/2015 Brunner D13/110
D723,459 S * 3/2015 Dang D13/108
D743,334 S * 11/2015 Peek D13/108
D793,958 S * 8/2017 Rautiainen D13/108
10,063,065 B2 * 8/2018 Cho H02J 5/005
D847,741 S * 5/2019 Hu D13/108

* cited by examiner

Primary Examiner — Rosemary K Tarcza

(74) *Attorney, Agent, or Firm* — Prakash Nama; Global IP Services, PLLC

(57) **CLAIM**

The ornamental design for a wireless charger, as shown.

DESCRIPTION

FIG. 1 is a front elevational view of a wireless charger showing my new design;

FIG. 2 is a rear elevational view thereof;

FIG. 3 is a left side view in reduce scale thereof;

FIG. 4 is a right side view in reduce scale thereof;

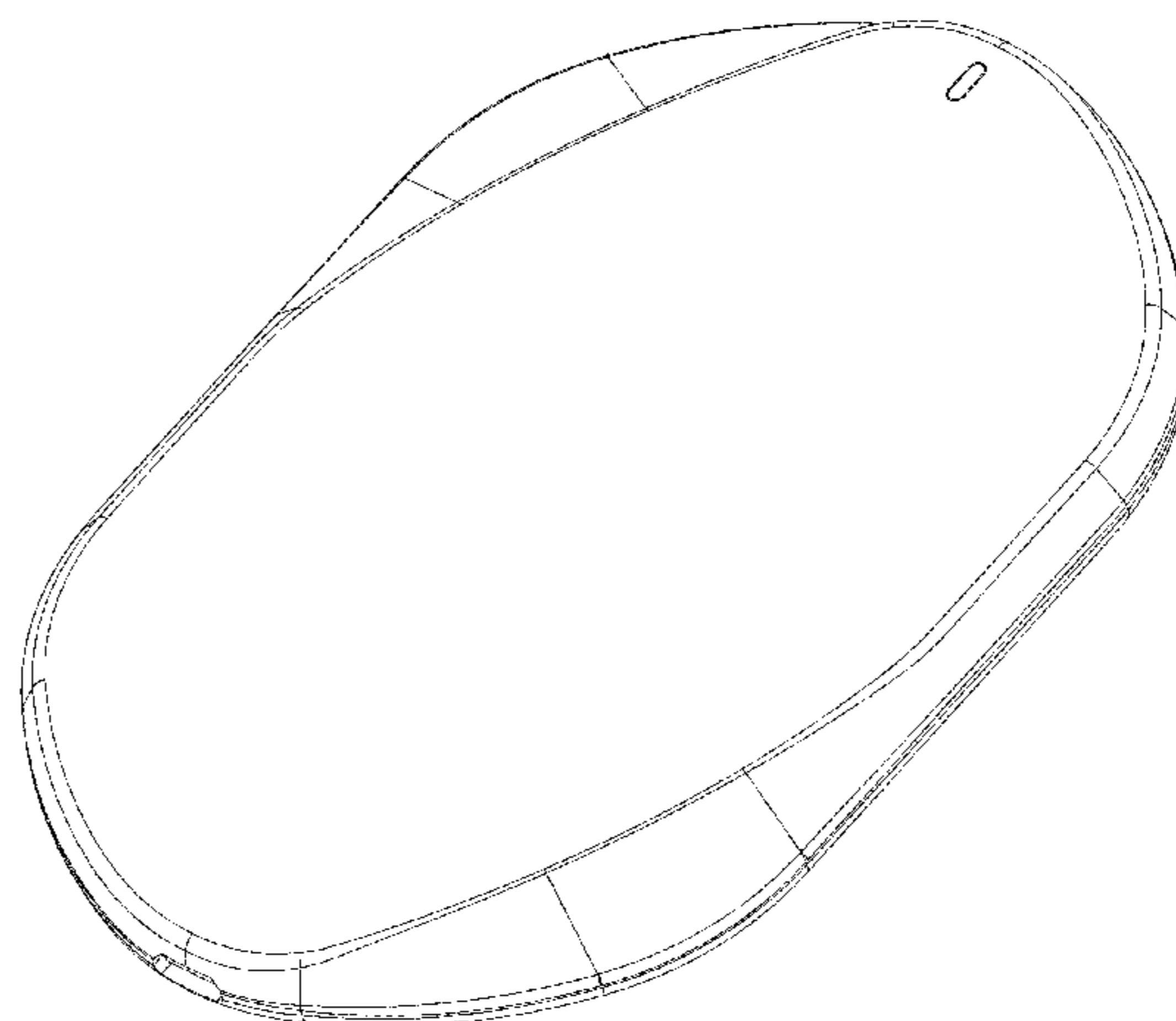
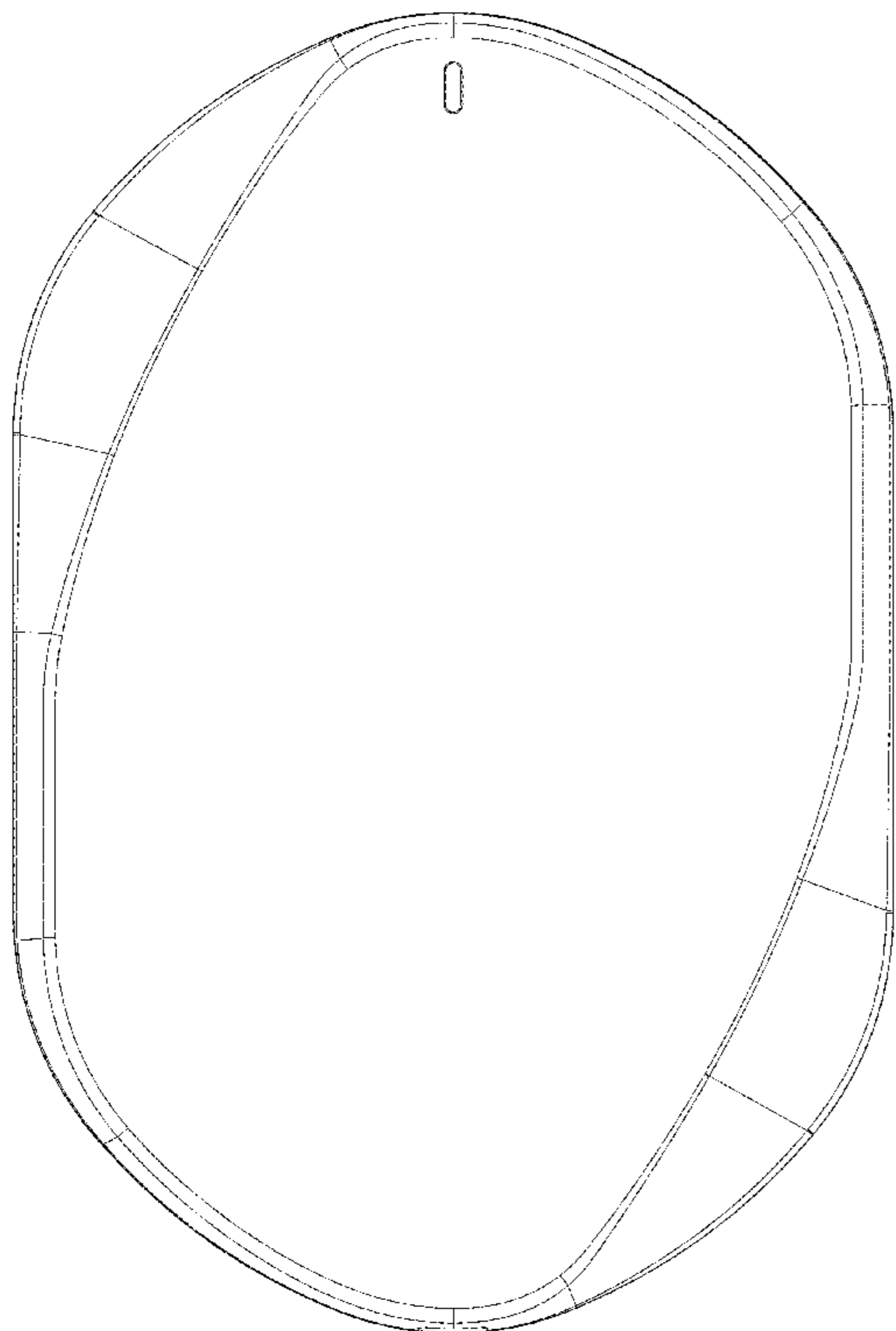
FIG. 5 is a top plan view in enlarge scale thereof;

FIG. 6 is a bottom plan view in enlarge scale thereof;

FIG. 7 is a perspective view thereof; and,

FIG. 8 is another perspective view thereof.

1 Claim, 8 Drawing Sheets



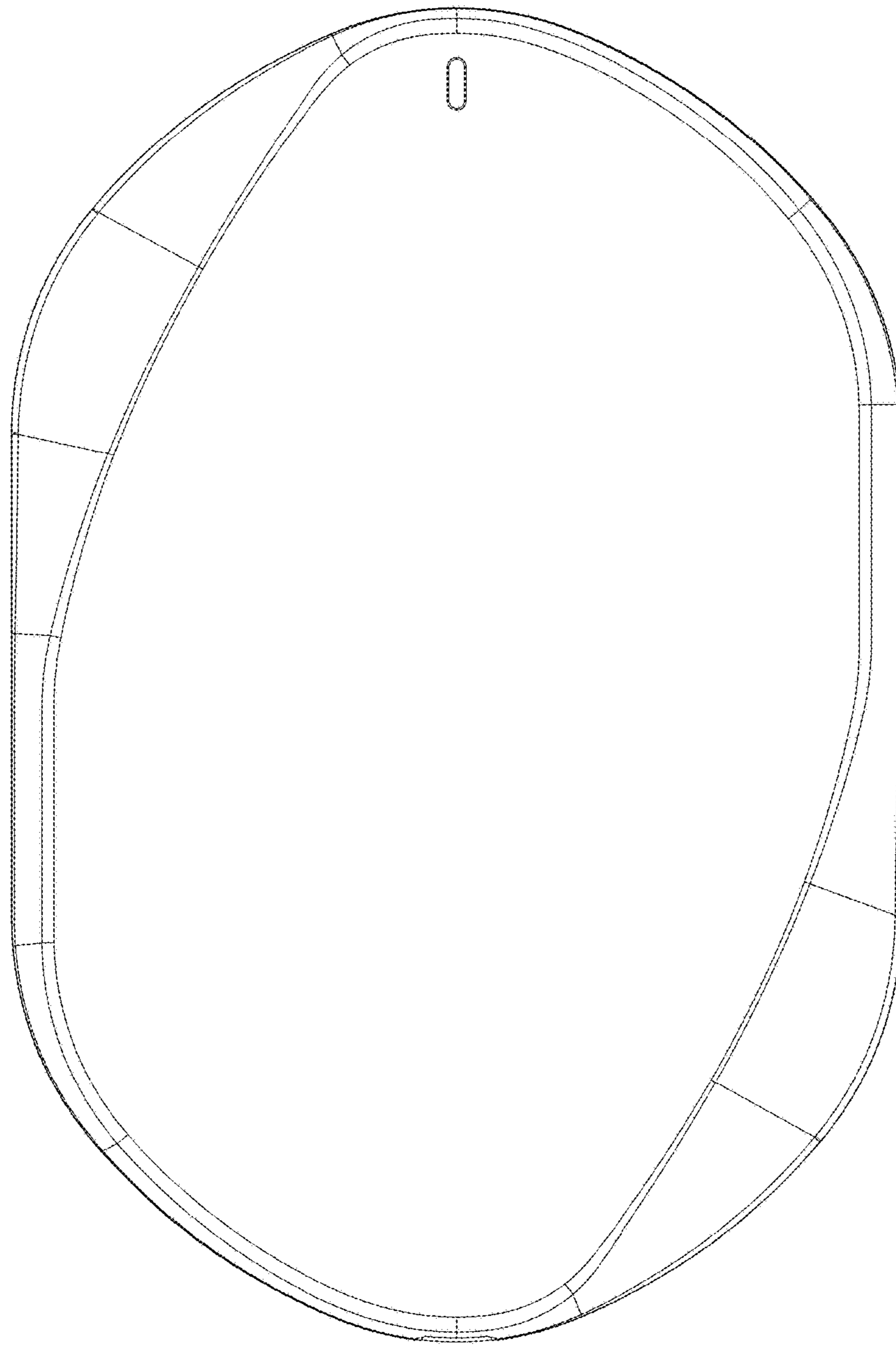


Fig. 1

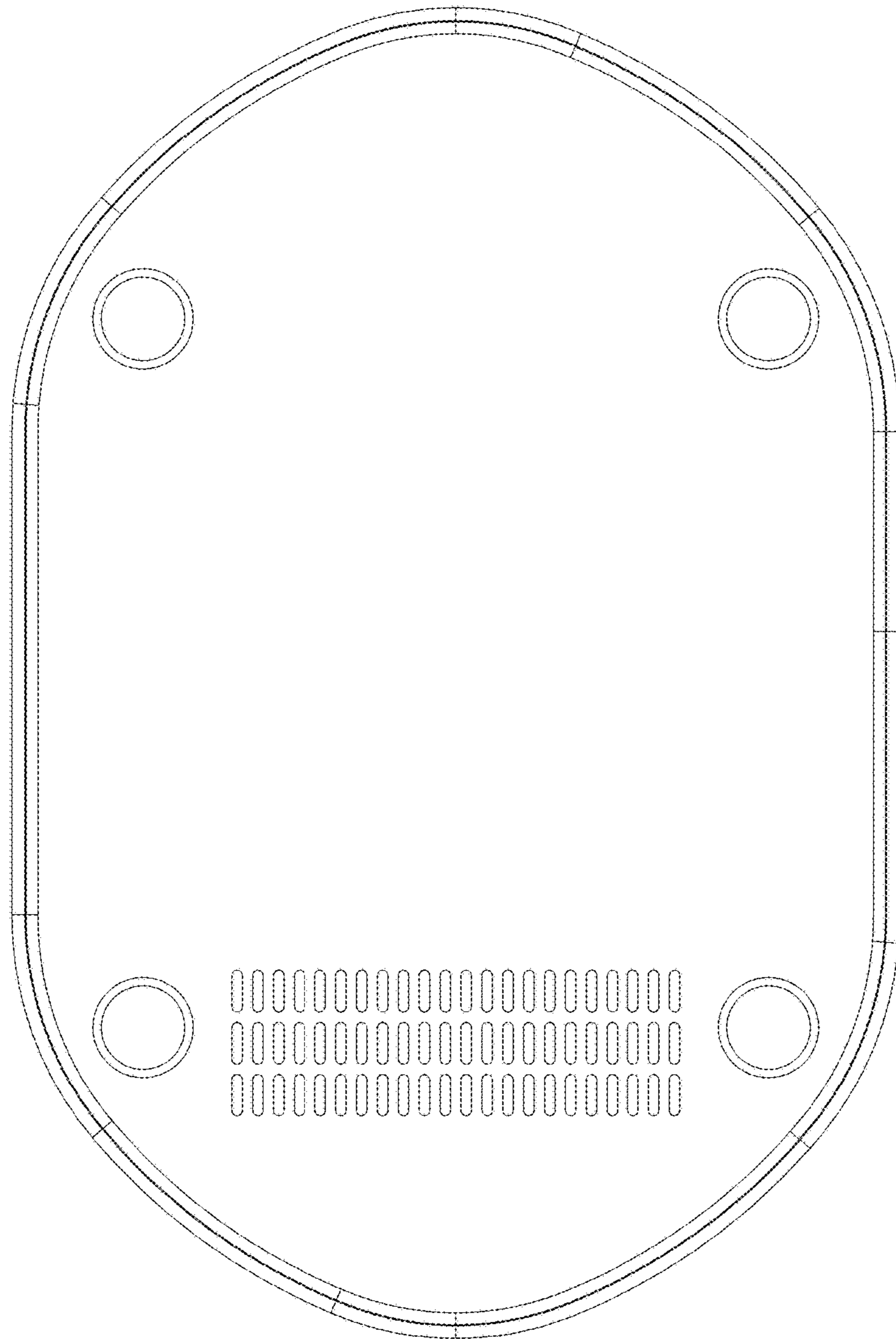


Fig. 2

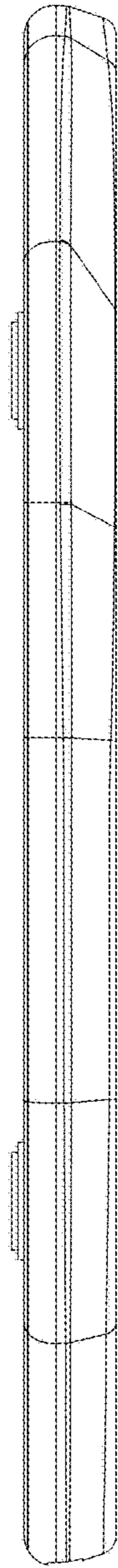


Fig. 3

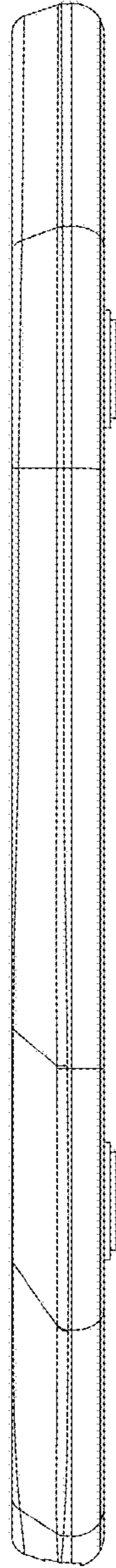


Fig. 4

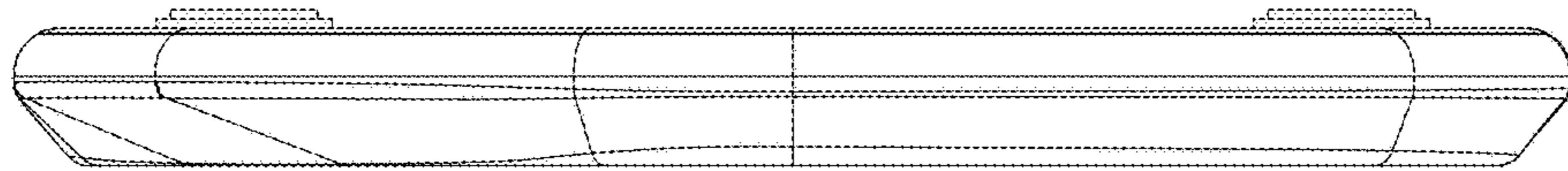


Fig. 5

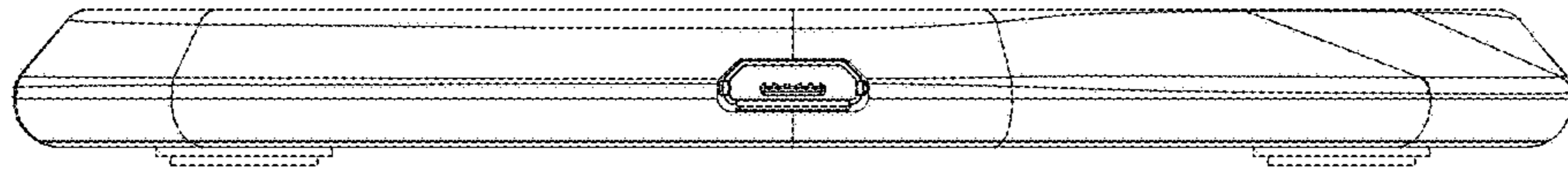


Fig. 6

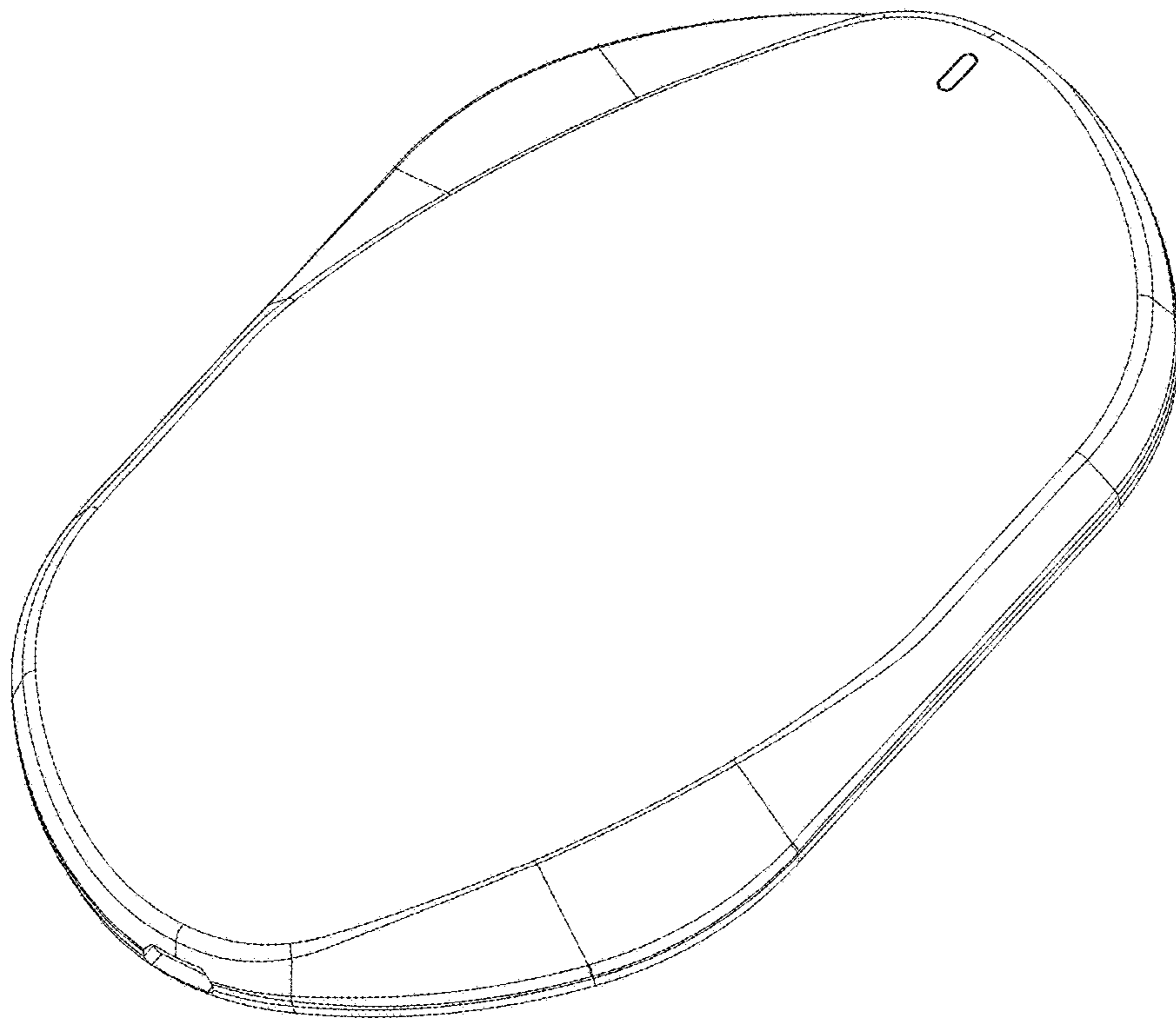


Fig. 7

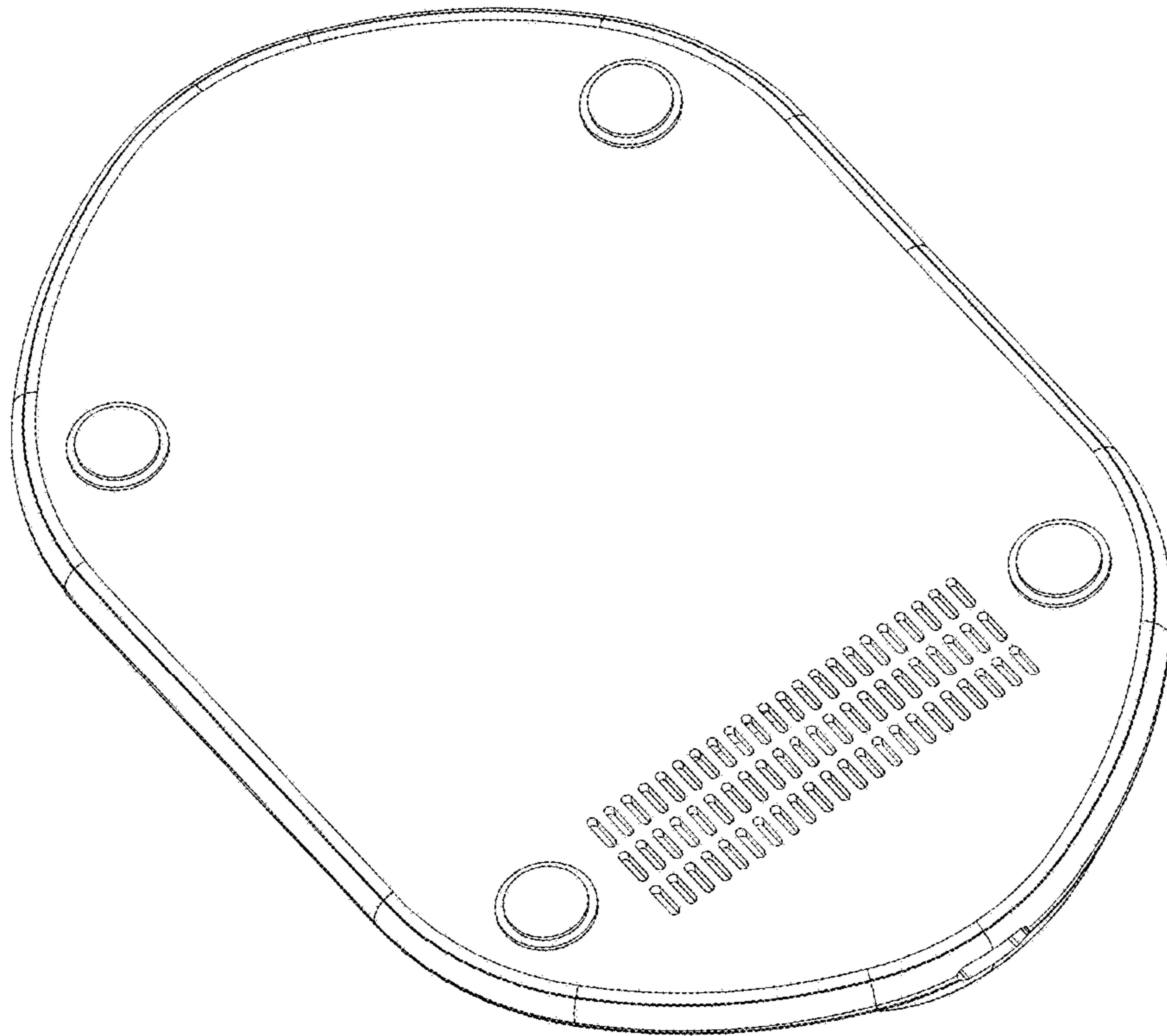


Fig. 8