

US00D860937S

(12) **United States Design Patent** (10) **Patent No.:** **US D860,937 S**  
**Slaatto** (45) **Date of Patent:** **\*\* Sep. 24, 2019**

(54) **BATTERY CHARGER**

FOREIGN PATENT DOCUMENTS

(71) Applicant: **Juize Inc.**, Los Angeles, CA (US)  
(72) Inventor: **Øivind Alexander Slaatto**, Copenhagen (DK)

CN 304757637 \* 8/2018  
CN 304762729 \* 8/2018

(73) Assignee: **JUIZE INC.**, Los Angeles, CA (US)

OTHER PUBLICATIONS

(\*\*) Term: **15 Years**

Multiple views of a prior design of battery charger (6 pages).

(21) Appl. No.: **29/640,484**

\* cited by examiner

(22) Filed: **Mar. 14, 2018**

*Primary Examiner* — Brett Miller

(51) **LOC (12) Cl.** ..... **13-02**

(74) *Attorney, Agent, or Firm* — HIPLegal LLP; Judith Szepesi

(52) **U.S. Cl.**  
USPC ..... **D13/108**

(57) **CLAIM**

(58) **Field of Classification Search**  
USPC ..... D13/107–108, 105, 110, 119, 137.2;  
D14/434, 447, 253, 224, 217, 238.1, 251,  
D14/240, 149, 358, 348, 356  
CPC ..... H02J 7/0042; H02J 7/044; H02J 7/045;  
H02J 2007/0062; H02J 7/0054; H02J  
7/0055; B60R 11/0241  
See application file for complete search history.

The ornamental design for battery charger, substantially as shown and described.

**DESCRIPTION**

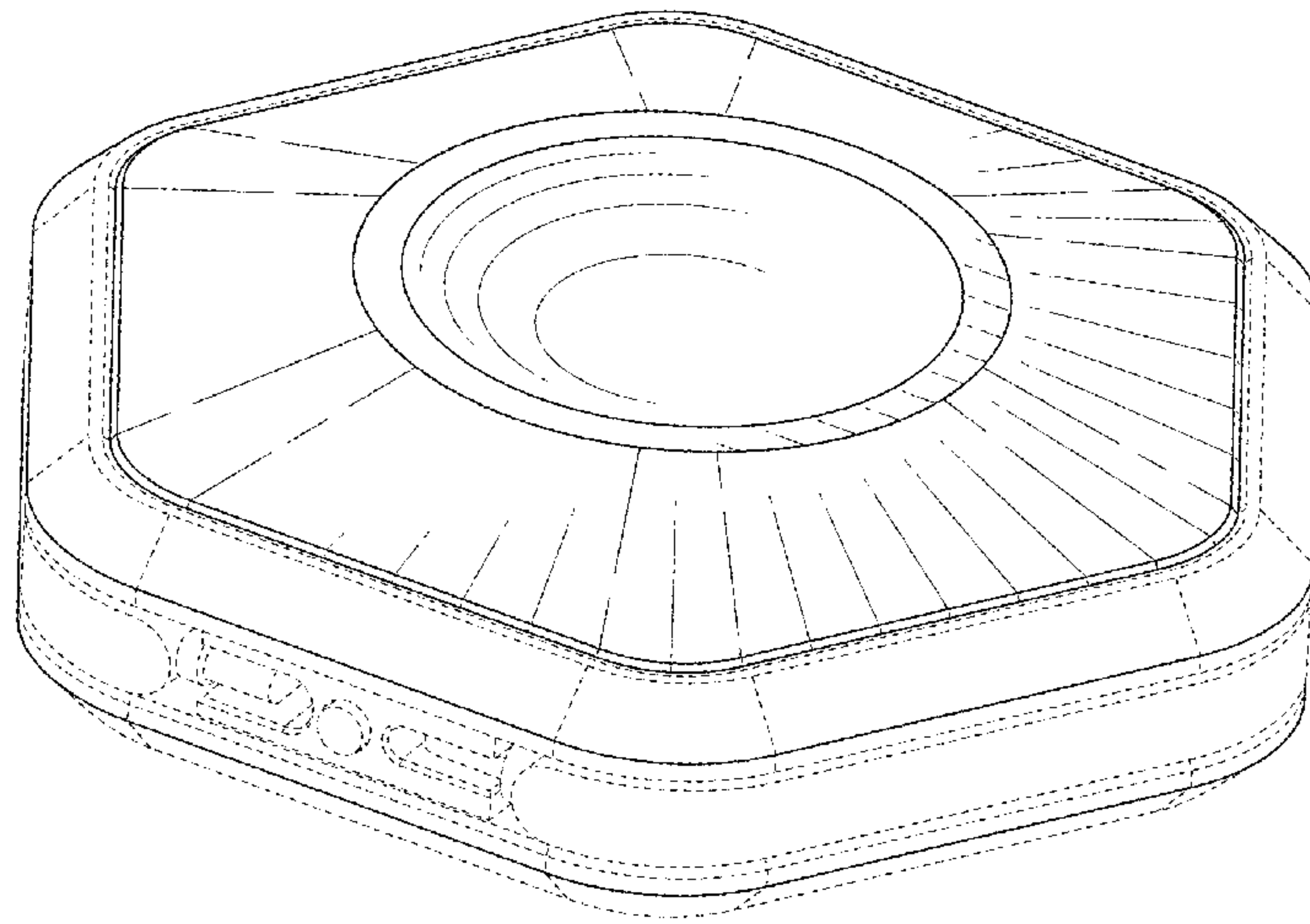
(56) **References Cited**

U.S. PATENT DOCUMENTS

D532,780 S *	11/2006	Proctor, Jr.	.....	D14/240
D625,721 S *	10/2010	Ferber	.....	D14/358
D628,153 S *	11/2010	Fujii	.....	D13/108
D645,818 S *	9/2011	Guccione	.....	D13/108
D680,063 S *	4/2013	Sasada	.....	D13/103
D697,027 S *	1/2014	Ho	.....	D13/108
D784,307 S *	4/2017	Yoon	.....	D14/240
D808,389 S *	1/2018	Judge	.....	D14/358
D820,247 S *	6/2018	Ahn	.....	D14/253
D820,248 S *	6/2018	Ahn	.....	D14/253
D823,239 S *	7/2018	Gupta	.....	D13/103
D839,189 S *	1/2019	Miller	.....	D13/108
D843,307 S *	3/2019	Jung	.....	D12/415
D850,889 S *	6/2019	Esses	.....	D8/349
2009/0102419 A1 *	4/2009	Gwon	.....	H02J 7/025 320/108

FIG. 1 is a perspective view of the battery charger with charging cables tucked into the charger body.  
FIG. 2 is a perspective view of the battery charger with charging cables removed from the charger body.  
FIG. 3 is a front view of the battery charger.  
FIG. 4 is a back view of the battery charger.  
FIG. 5 is a side view of the battery charger.  
FIG. 6 is a top view of the battery charger.  
FIG. 7 is a bottom view of the battery charger.  
FIG. 8 is a top view of the battery charger, with charging cables removed from the charger body; and,  
FIG. 9 is a perspective view of the battery charger in use, showing that the battery charger may be used with a mobile device, showing a charging cable removed from the charger body and plugged into the mobile device.  
The broken lines are directed to environment and are for illustrative purposes only. The broken lines form no part of the claimed design.  
The battery charger is not limited to the scale shown herein.

**1 Claim, 6 Drawing Sheets**



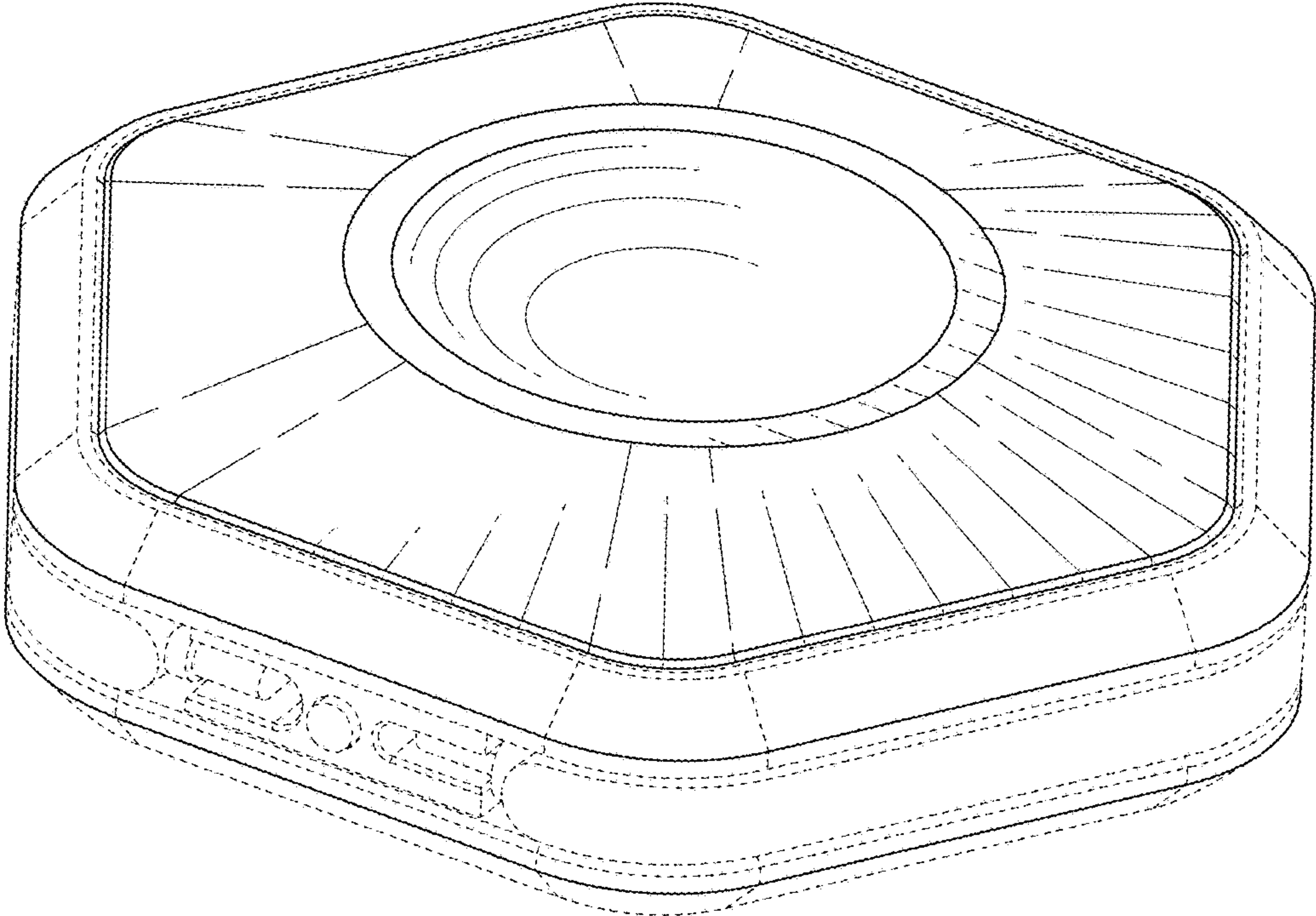


FIG. 1

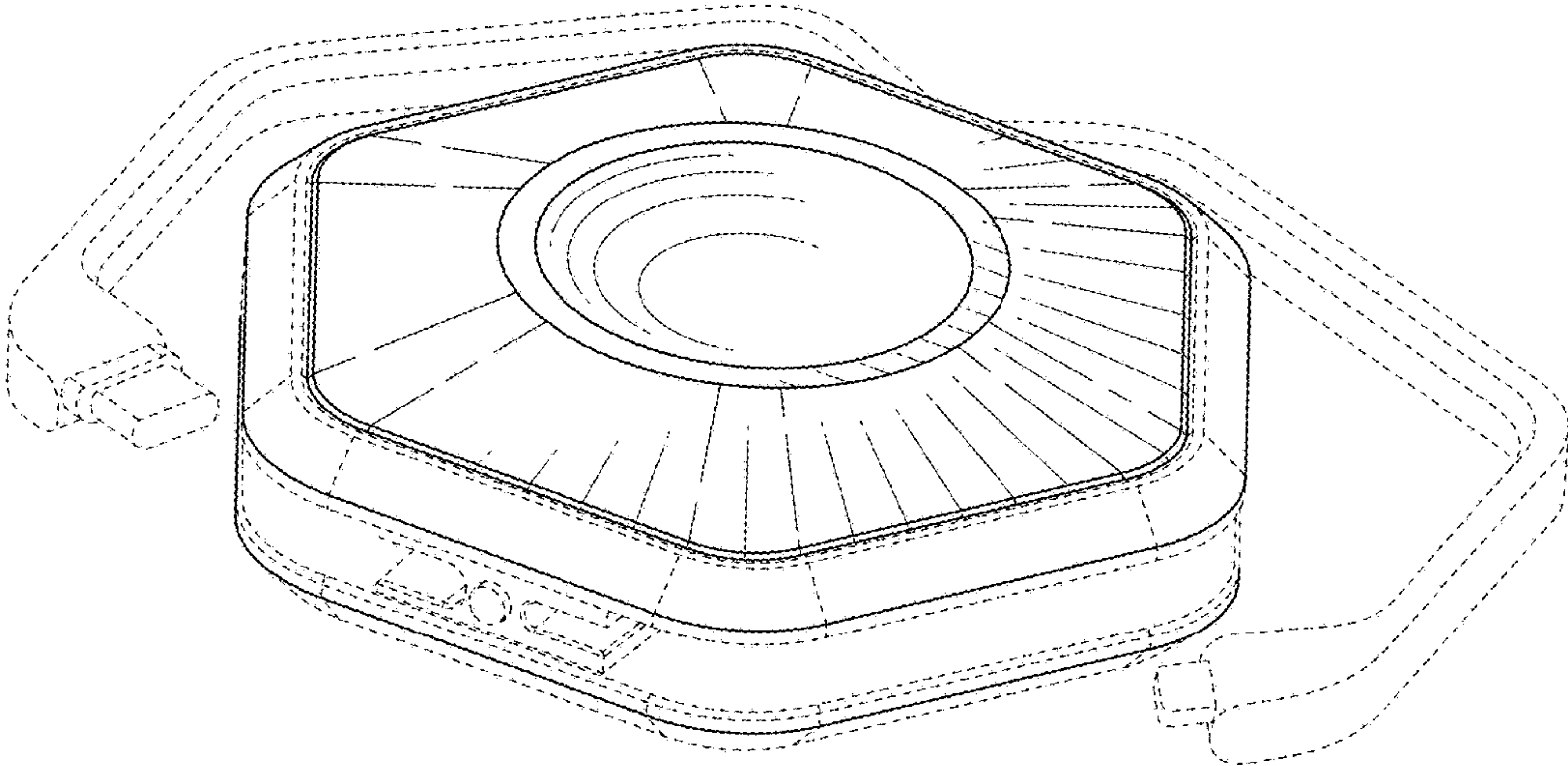


FIG. 2

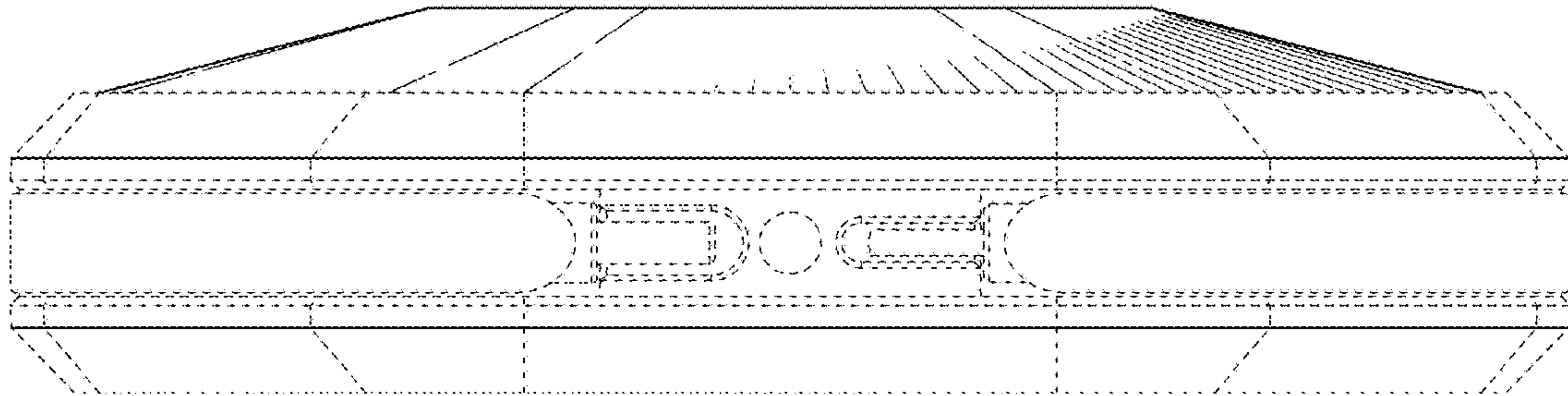


FIG. 3

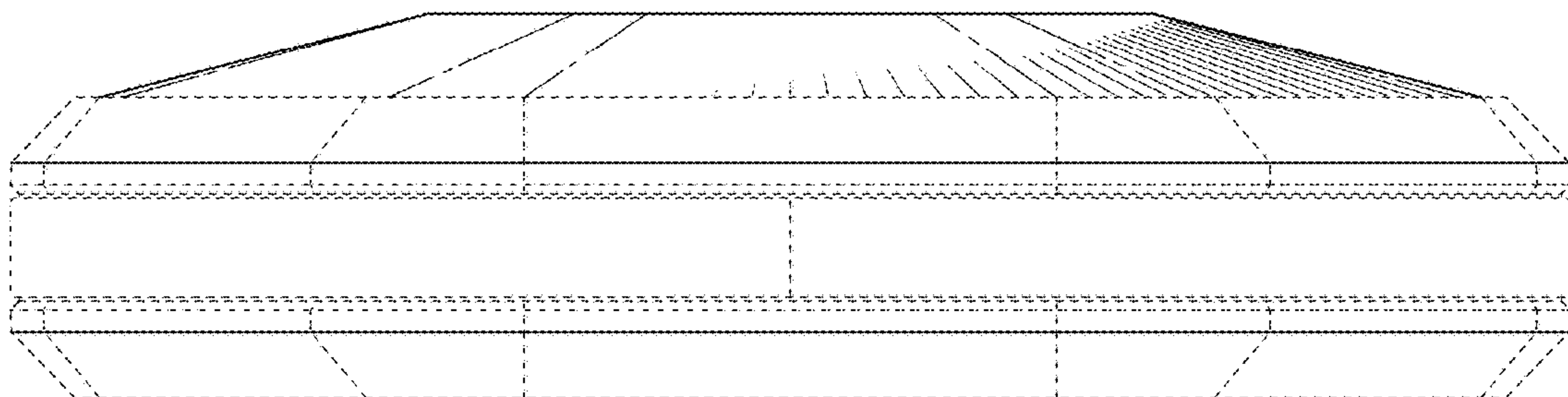


FIG. 4

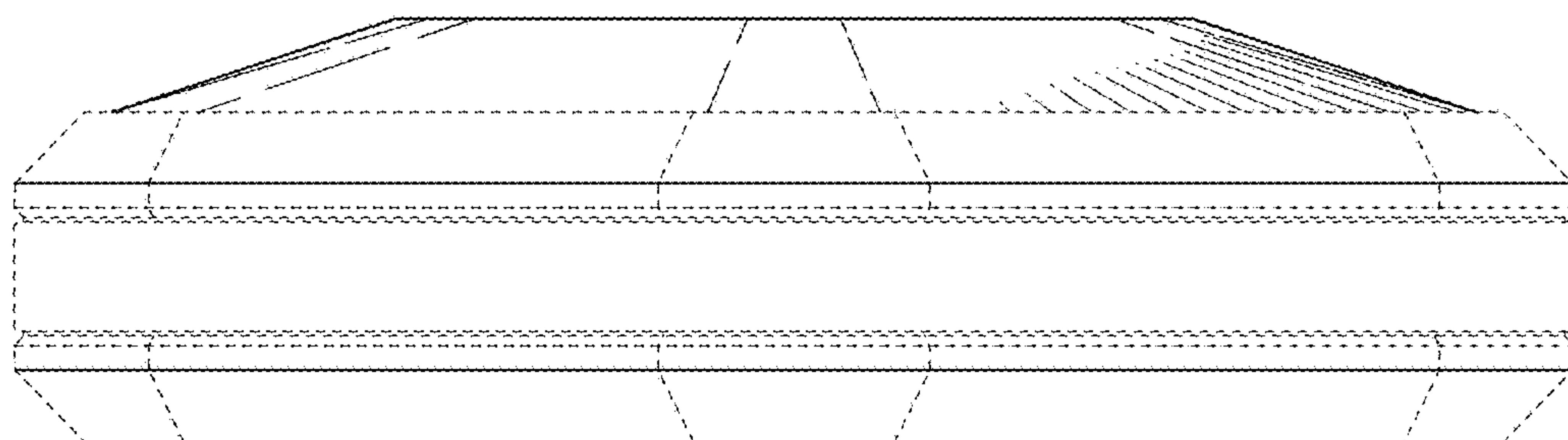


FIG. 5



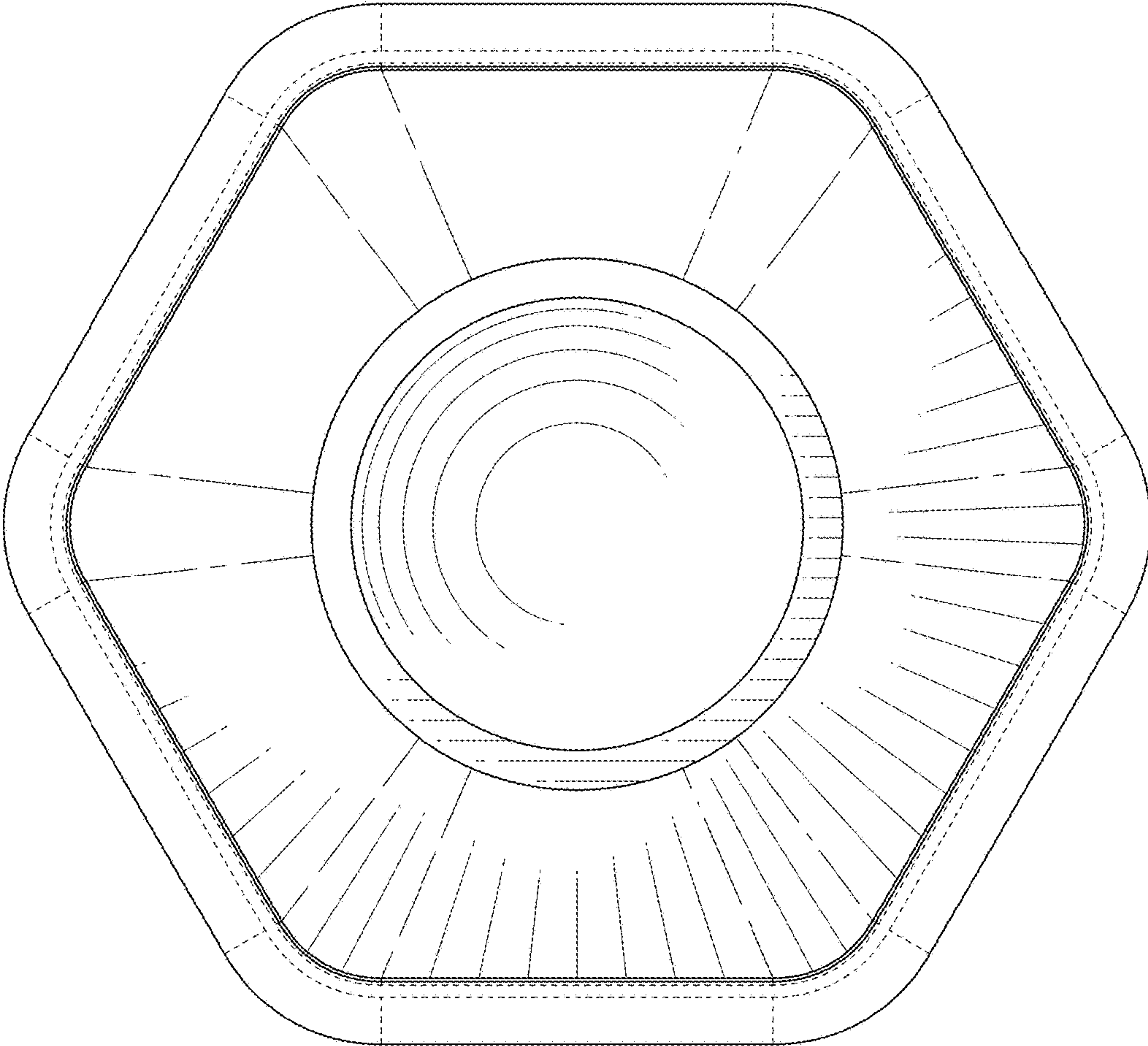


FIG. 6

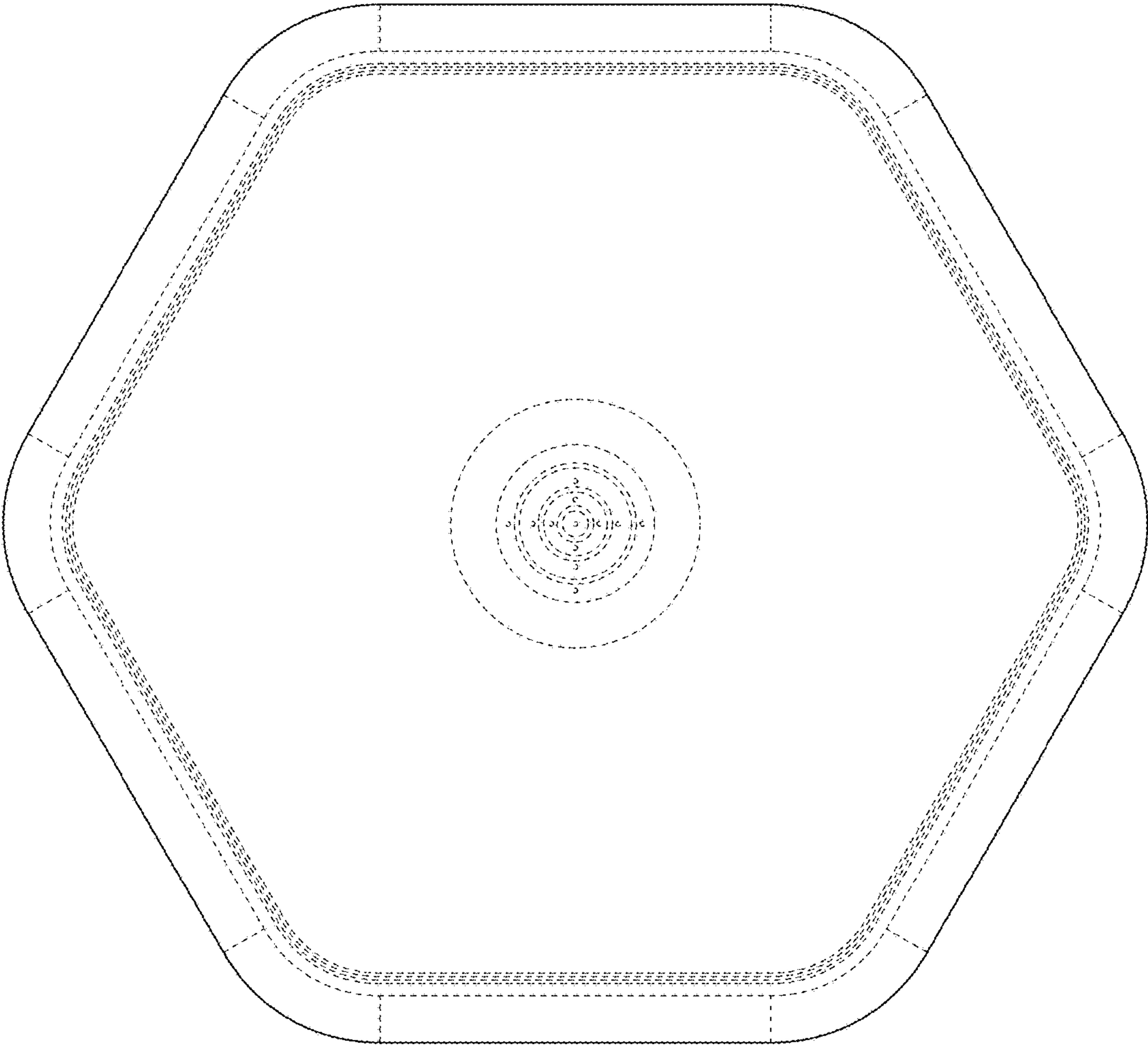


FIG. 7

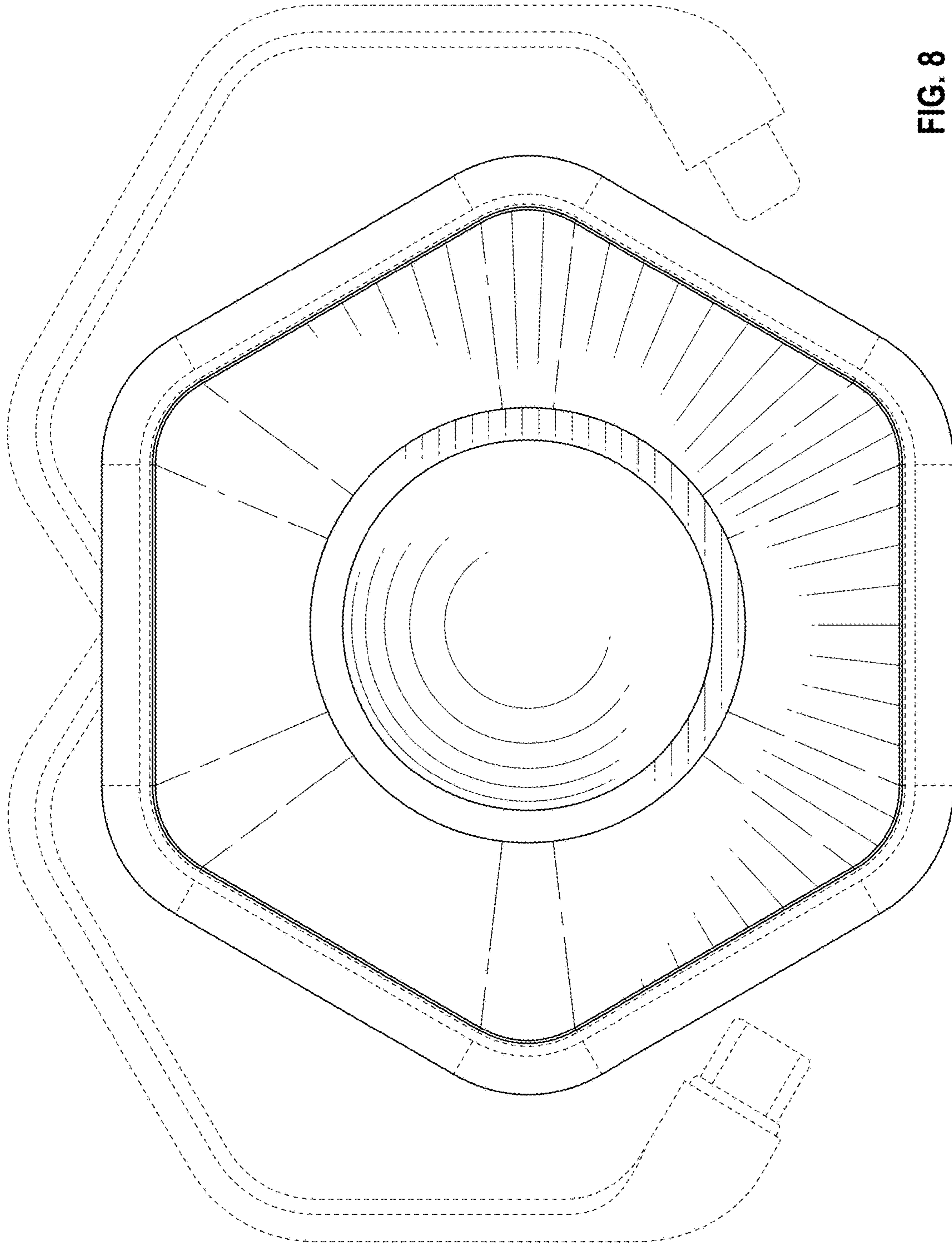


FIG. 8

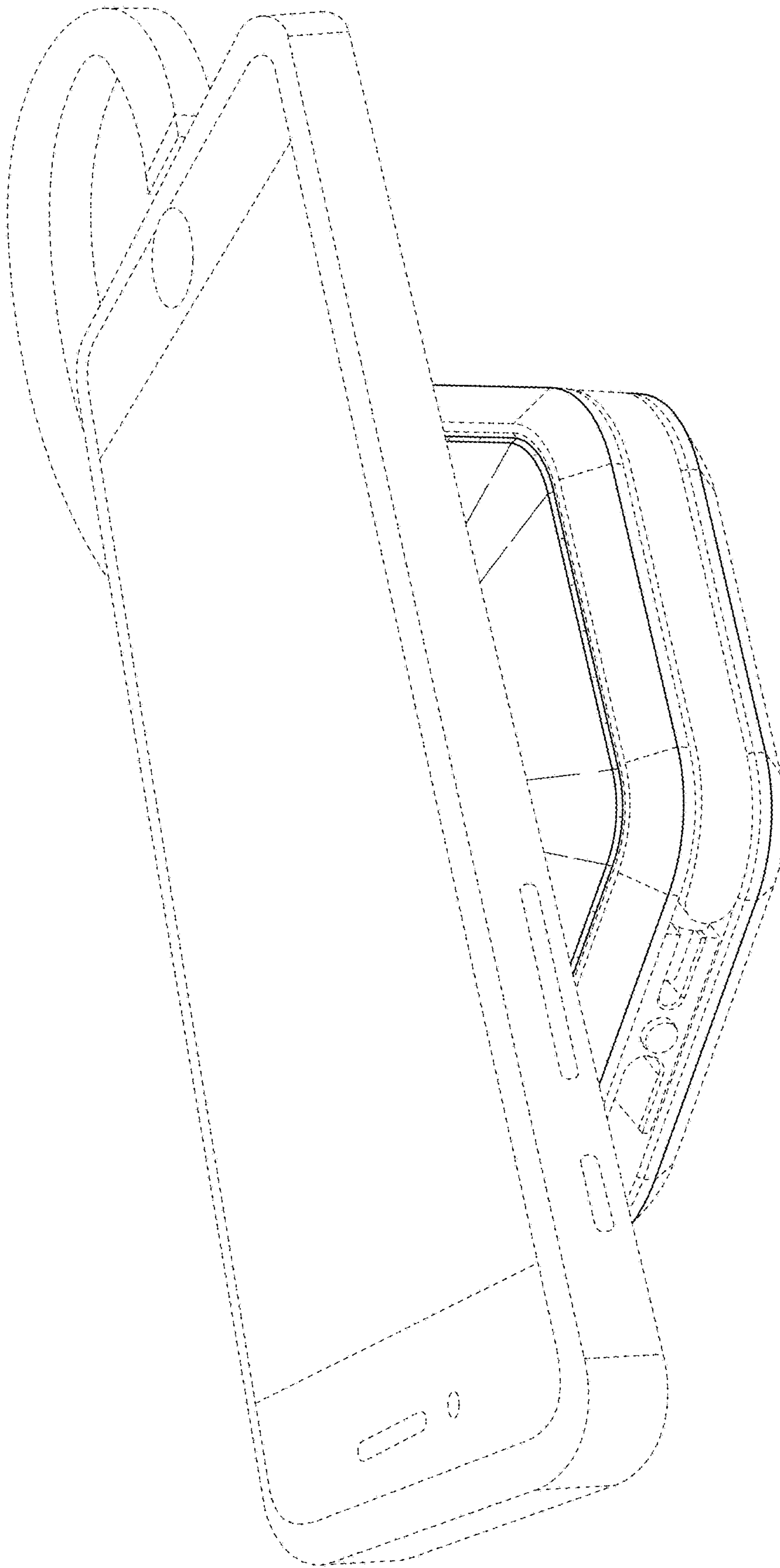


FIG. 9