



US00D860924S

(12) **United States Design Patent**  
**Hamanaka et al.**

(10) **Patent No.:** **US D860,924 S**

(45) **Date of Patent:** **\*\* Sep. 24, 2019**

(54) **AUTOMOBILE TIRE**

D695,210 S \* 12/2013 Tanaka ..... D12/579  
D843,927 S \* 3/2019 Canankamp ..... D12/600  
D844,549 S \* 4/2019 Zimmerman ..... D12/600

(71) Applicant: **THE YOKOHAMA RUBBER CO., LTD.**, Minato-ku, Tokyo (JP)

\* cited by examiner

(72) Inventors: **Hideki Hamanaka**, Hiratsuka (JP);  
**Kotaro Iwabuchi**, Tokyo (JP)

*Primary Examiner* — George D. Kirschbaum

*Assistant Examiner* — Joseph J Kukella

(73) Assignee: **THE YOKOHAMA RUBBER CO., LTD.**, Minato-ku, Tokyo (JP)

(74) *Attorney, Agent, or Firm* — Banner & Witcoff, Ltd.

(\*\*) Term: **15 Years**

(57) **CLAIM**

The ornamental design for an automobile tire, as shown and described.

(21) Appl. No.: **29/649,788**

**DESCRIPTION**

(22) Filed: **Jun. 1, 2018**

(30) **Foreign Application Priority Data**

Dec. 1, 2017 (JP) ..... 2017-026914

(51) **LOC (12) Cl.** ..... **12-15**

(52) **U.S. Cl.**  
USPC ..... **D12/579**

(58) **Field of Classification Search**  
USPC ..... D12/568–603  
CPC ..... B60C 2011/0341; B60C 2011/0344; B60C 2011/0348  
See application file for complete search history.

FIG. 1 is a perspective view of an automobile tire showing our new design;

FIG. 2 is a front view thereof;

FIG. 3 is a rear view thereof;

FIG. 4 is a right side view thereof;

FIG. 5 is a left side view thereof;

FIG. 6 is a top view thereof;

FIG. 7 is a bottom view thereof;

FIG. 8 is an enlarged perspective view thereof taken at a portion defined by lines 8-8 shown in FIG. 1;

FIG. 9 is an enlarged view thereof taken at a portion defined by lines 9-9 shown in FIG. 2; and,

FIG. 10 is an end view thereof taken at a portion defined by lines 10-10 shown in FIG. 9.

In the drawings, the broken lines depict environmental subject matter only and form no part of the claimed design.

The dot and dashed lines represents a boundary between the claimed portion and the non-claimed portion.

(56) **References Cited**

**U.S. PATENT DOCUMENTS**

D284,179 S \* 6/1986 Kemp ..... D12/600  
D289,275 S \* 4/1987 Hinrichsen ..... D12/588  
D481,990 S \* 11/2003 Hanna ..... D12/579  
D549,163 S \* 8/2007 Maus ..... D12/579

**1 Claim, 10 Drawing Sheets**

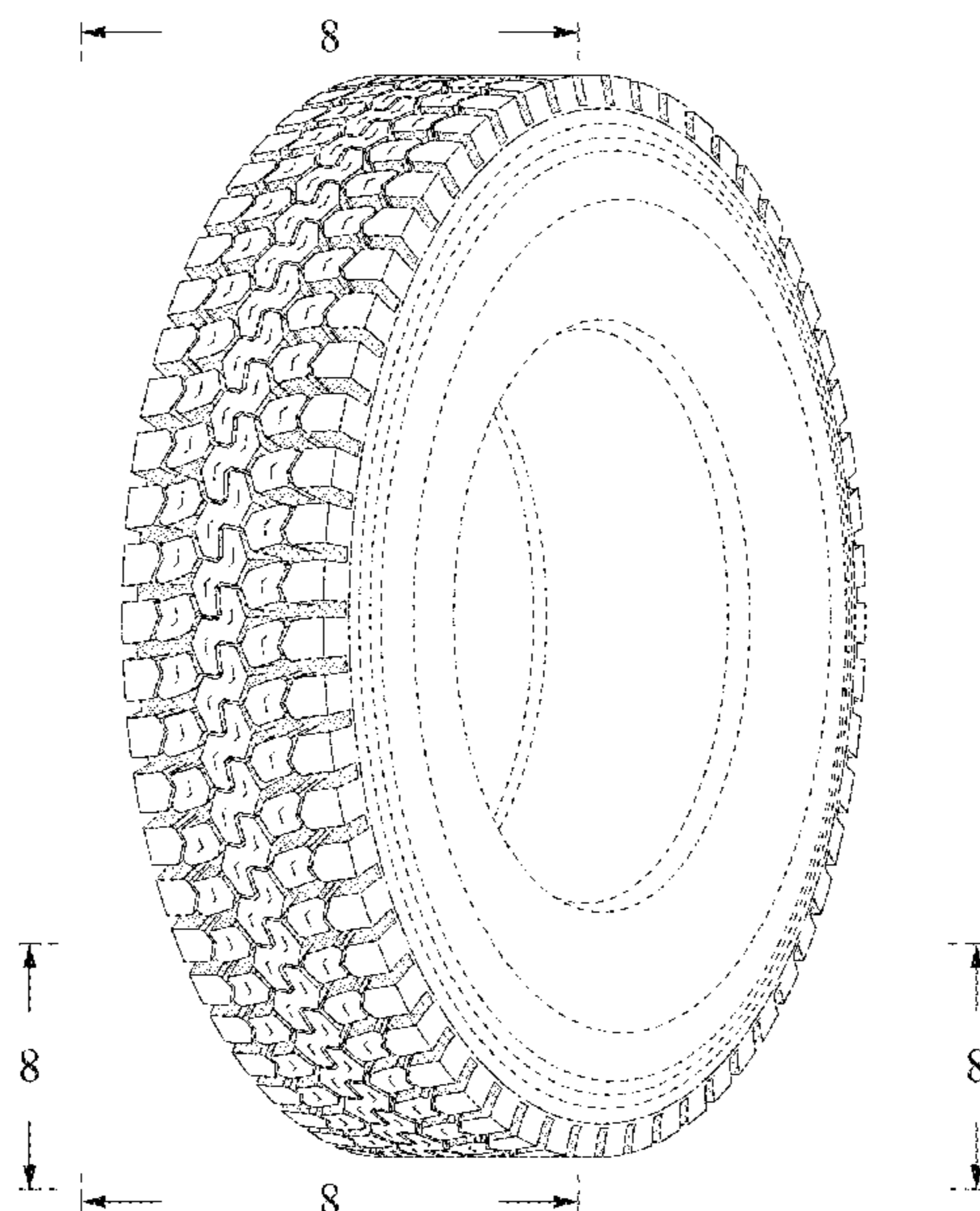


FIG. 1

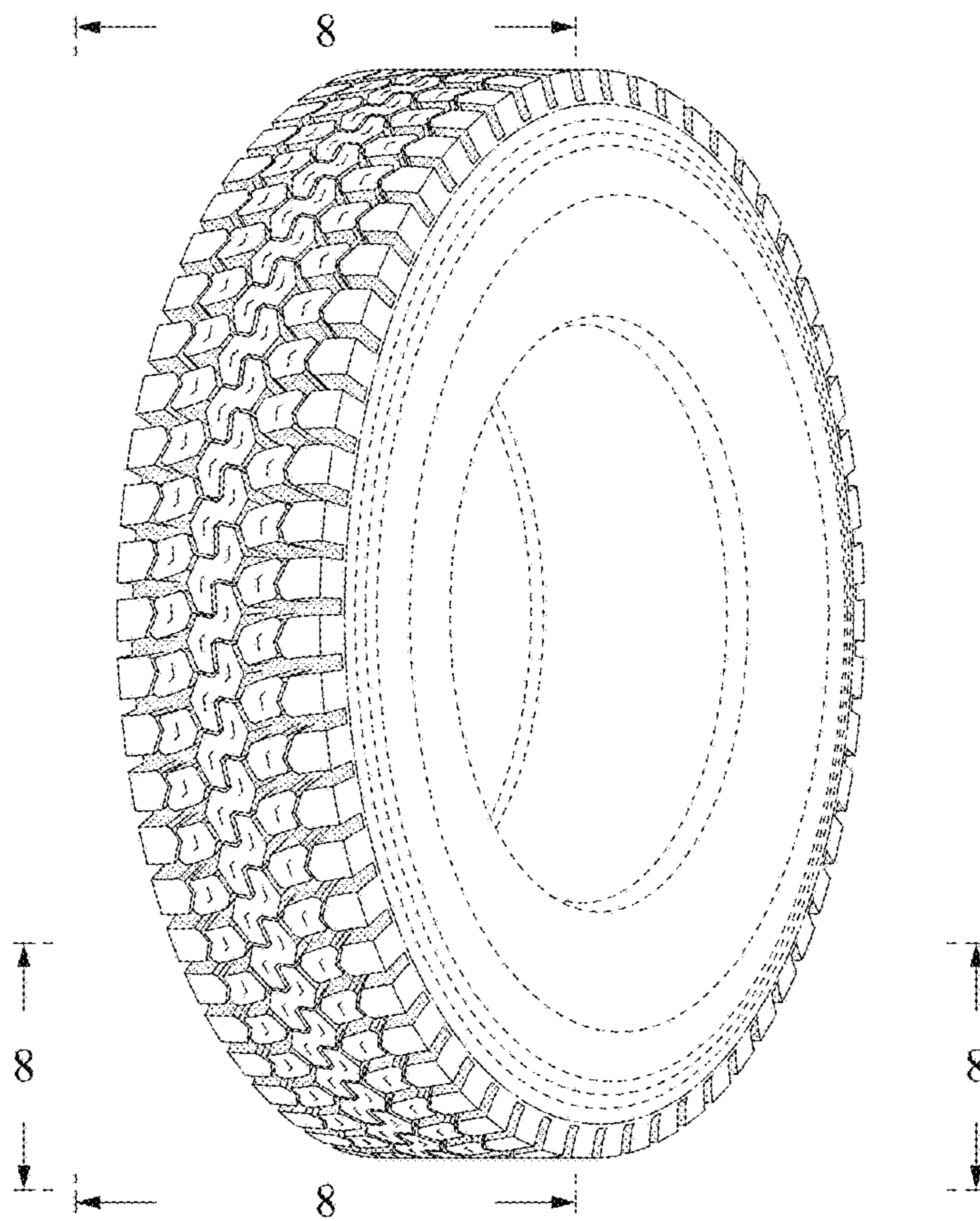
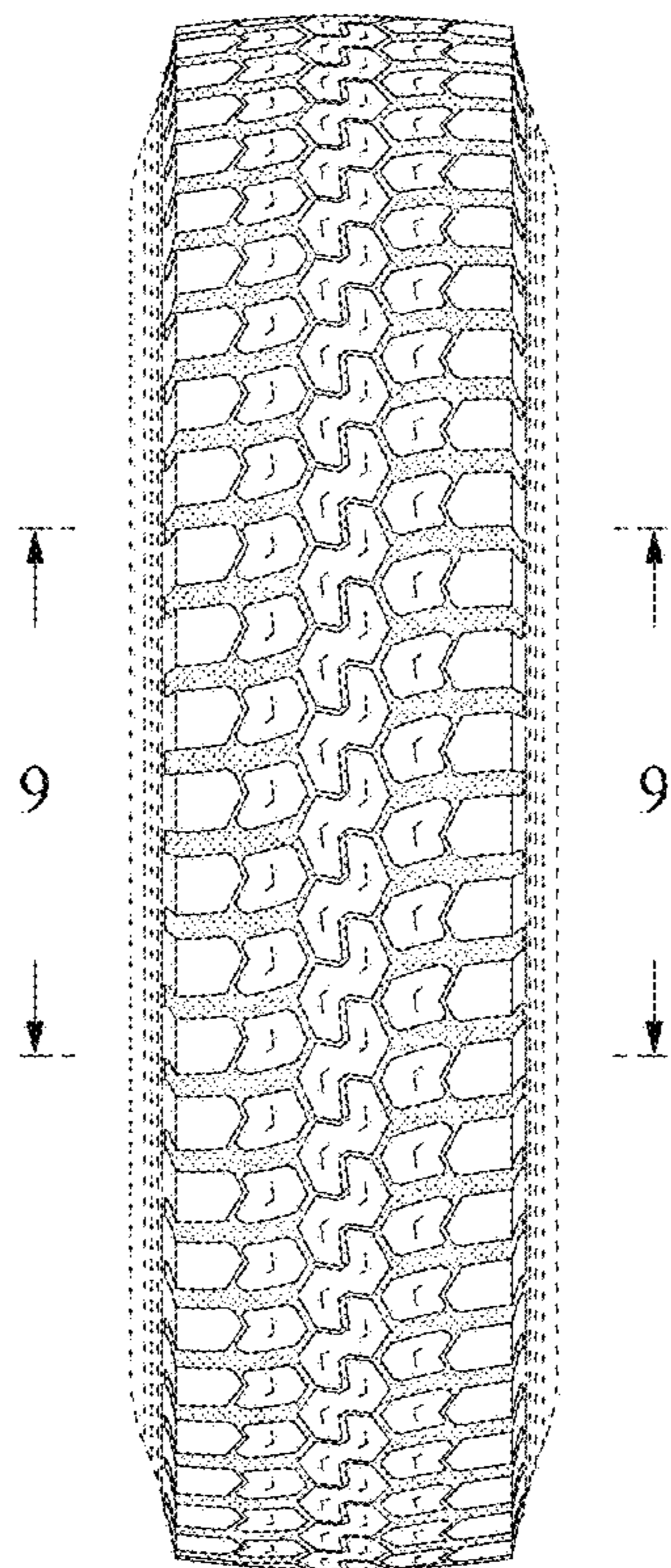
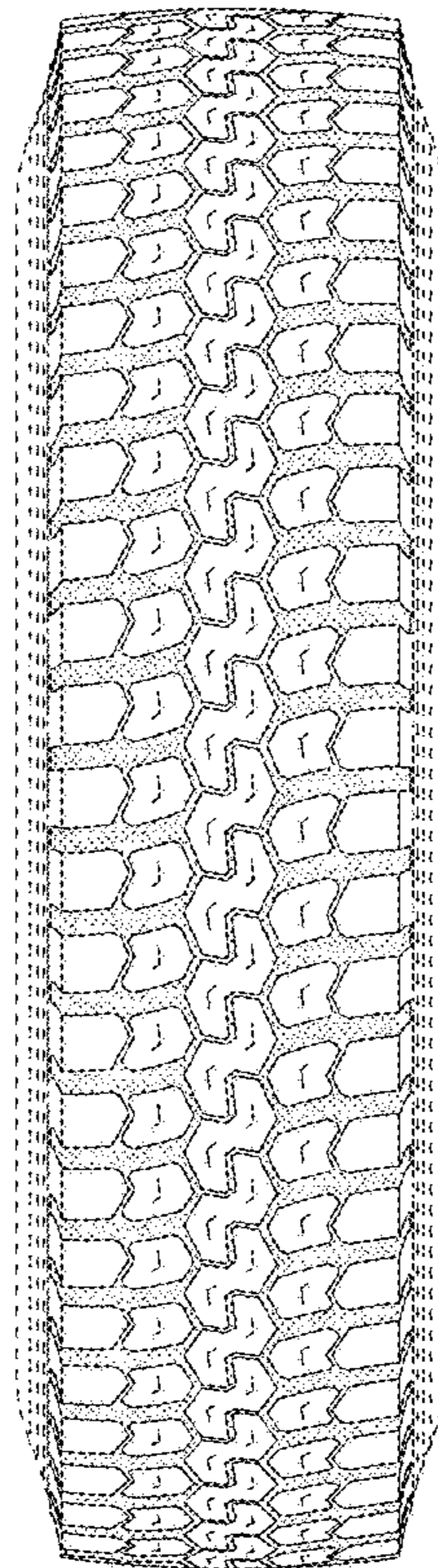


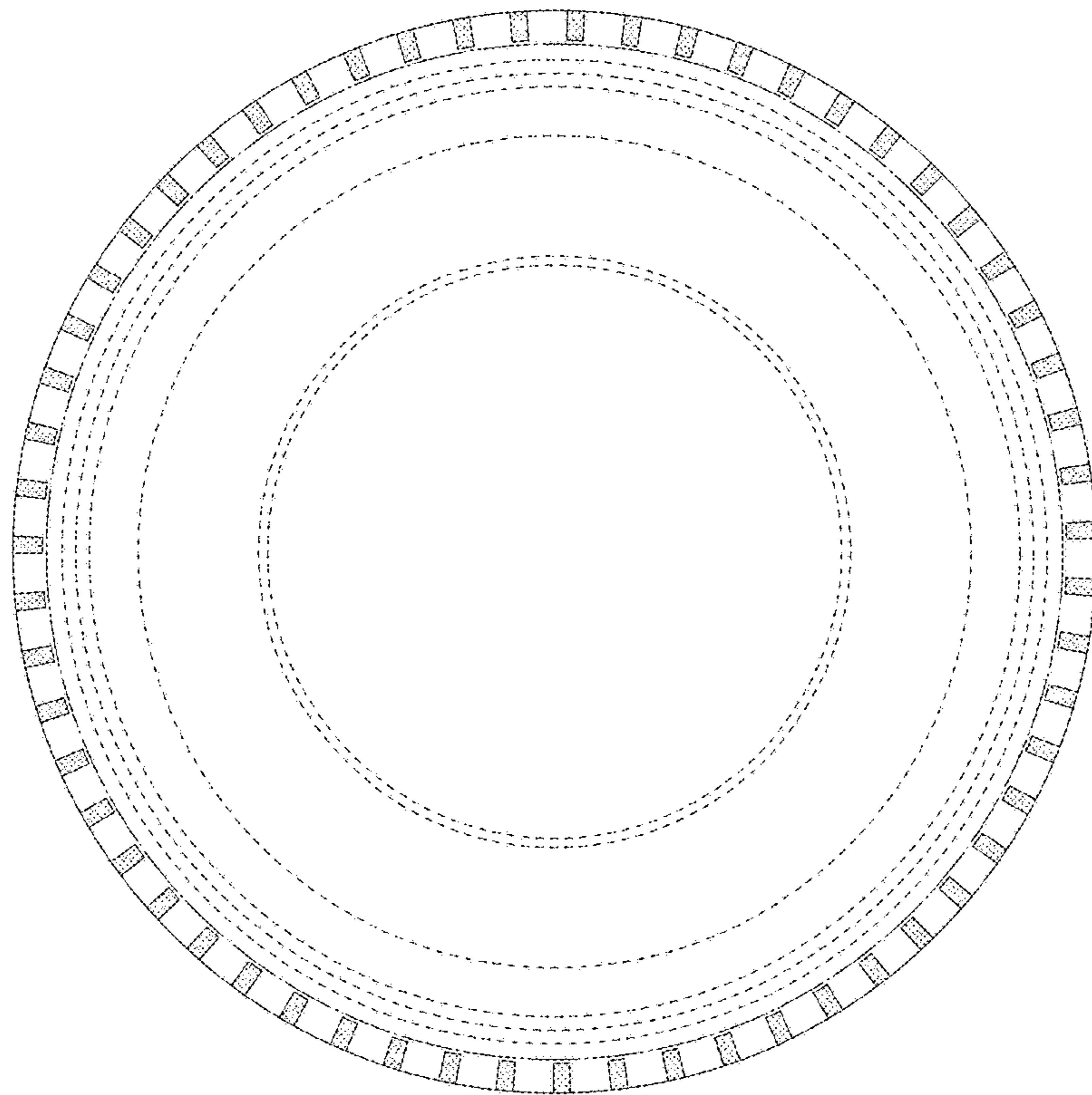
FIG. 2



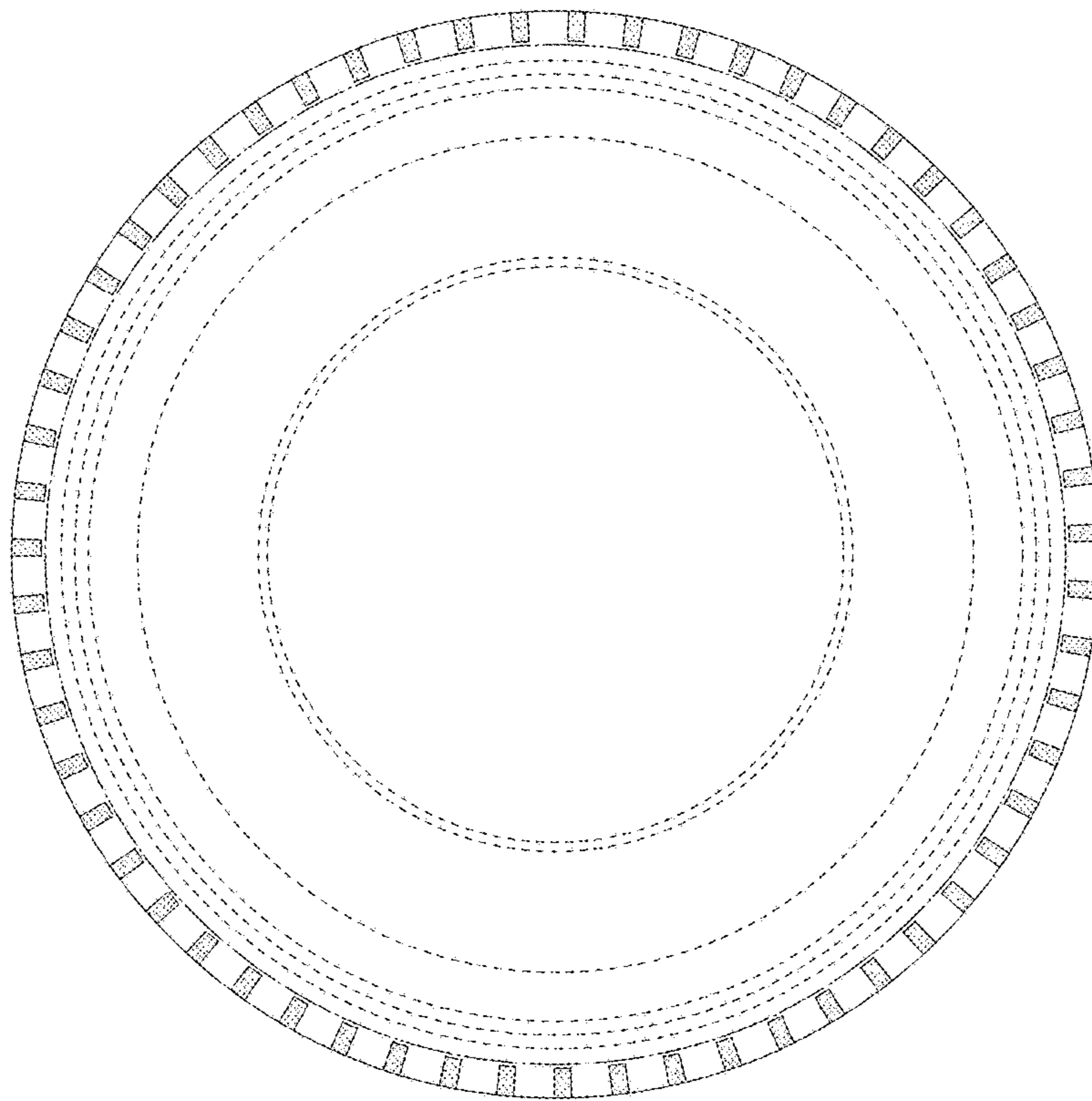
**FIG. 3**



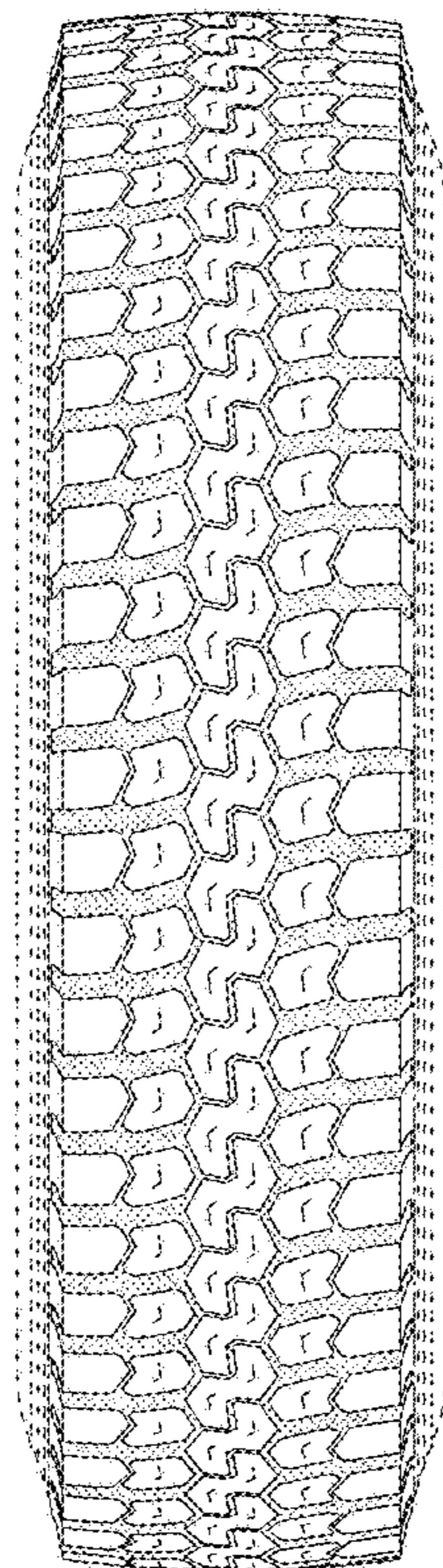
**FIG. 4**



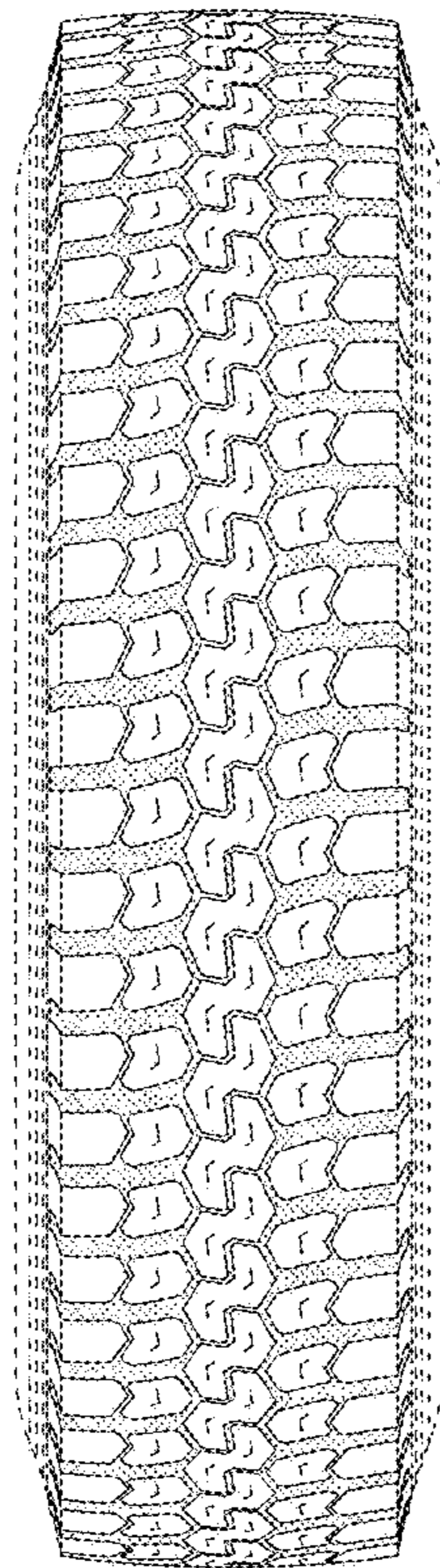
**FIG. 5**



**FIG. 6**



**FIG. 7**





**FIG. 8**

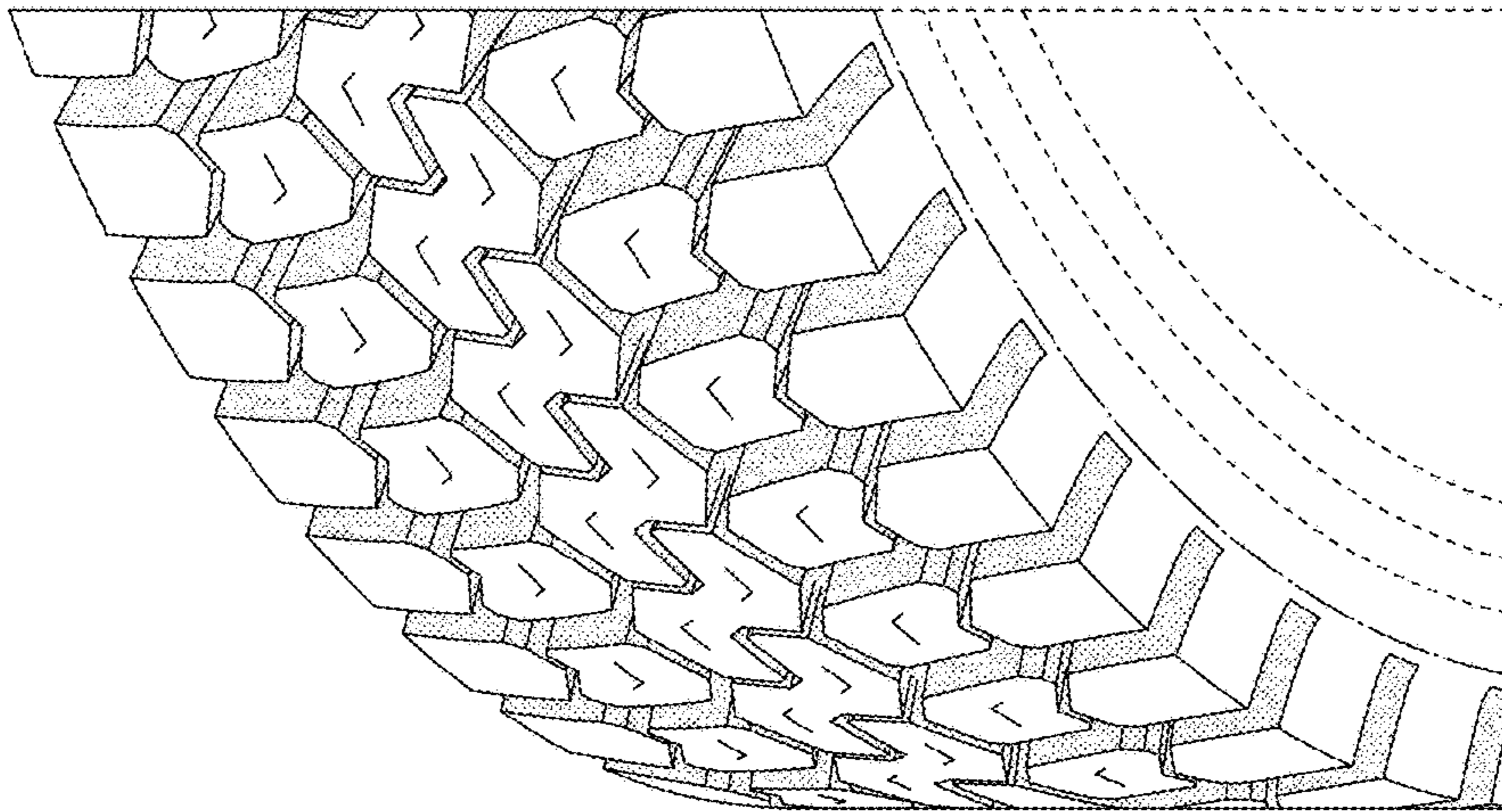
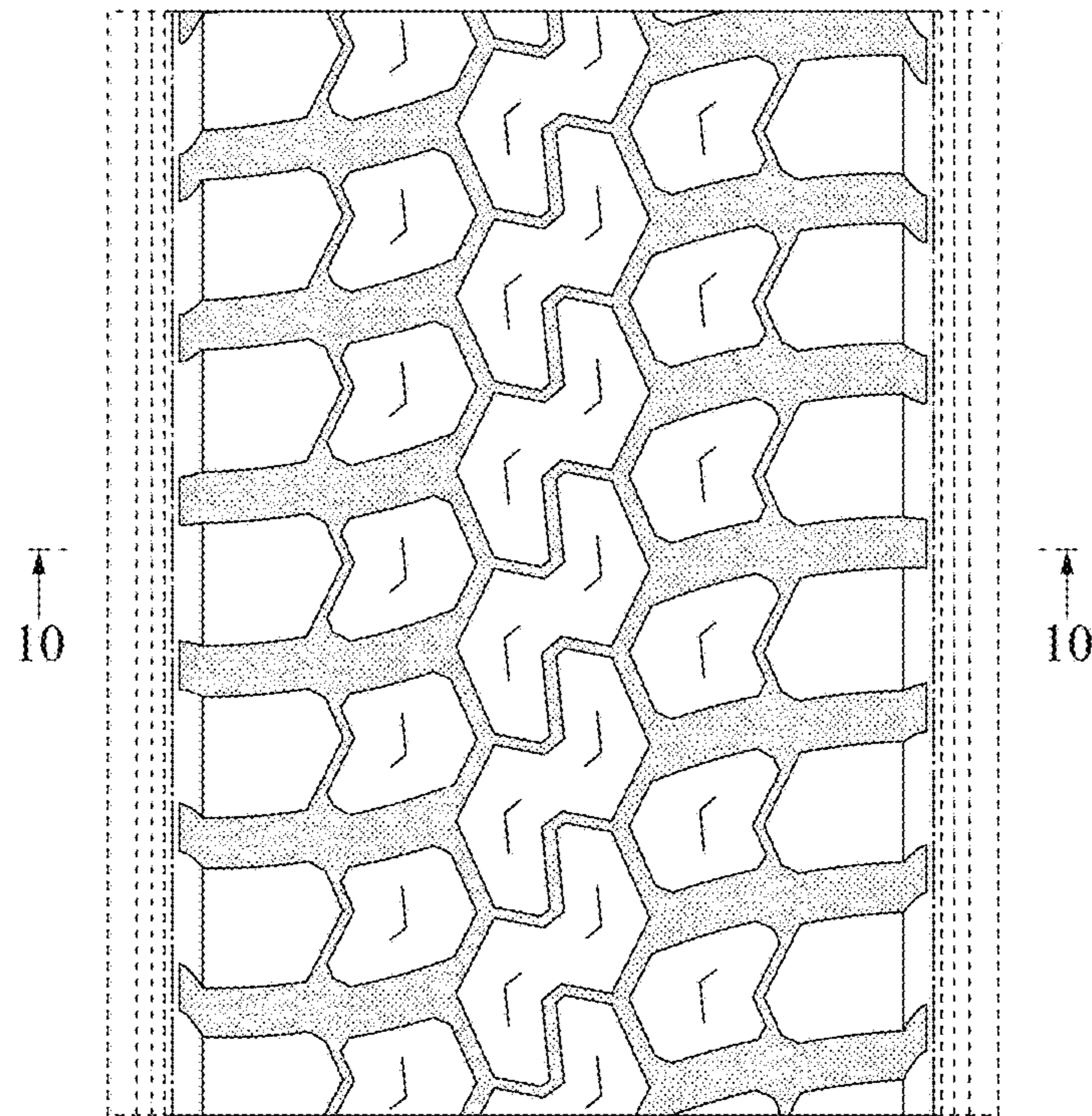


FIG. 9



**FIG. 10**

