

US00D860916S

(12) **United States Design Patent** (10) **Patent No.:** **US D860,916 S**
Wertime (45) **Date of Patent:** **** Sep. 24, 2019**

(54) **BICYCLE FRAME BASKET**
(71) Applicant: **Gregory S. Wertime**, Pasadena, CA (US)
(72) Inventor: **Gregory S. Wertime**, Pasadena, CA (US)

D746,760 S * 1/2016 Arbour D12/407
D762,551 S * 8/2016 Meckler D12/407
D767,469 S * 9/2016 Liu D12/407
D775,057 S * 12/2016 Meckler D12/407
D779,206 S * 2/2017 Hsu D3/306
D803,143 S * 11/2017 Silver D12/407
2011/0272446 A1* 11/2011 Chen B62J 9/003
224/419
2012/0152993 A1* 6/2012 Chen B62J 9/00
224/419

(**) Term: **15 Years**

* cited by examiner

(21) Appl. No.: **29/638,708**

(22) Filed: **Feb. 28, 2018**

Primary Examiner — Darlington Ly

(74) Attorney, Agent, or Firm — Karish & Bjorgum, PC

(51) **LOC (12) Cl.** **12-11**

(52) **U.S. Cl.**
USPC **D12/407**

(57) **CLAIM**

The ornamental design for a bicycle frame basket, as shown and described.

(58) **Field of Classification Search**
USPC D12/111, 406, 407; D3/306–309, 311, D3/312; D6/462–465, 537, 566
CPC B62J 9/00; B62J 9/001
See application file for complete search history.

DESCRIPTION

FIG. 1 is a front elevation view of a bicycle frame basket showing my new design;
FIG. 2 is a rear elevation view thereof;
FIG. 3 is a left side elevation view thereof, to which the right side elevation view is a mirror image; and,
FIG. 4 is a top plan view thereof.

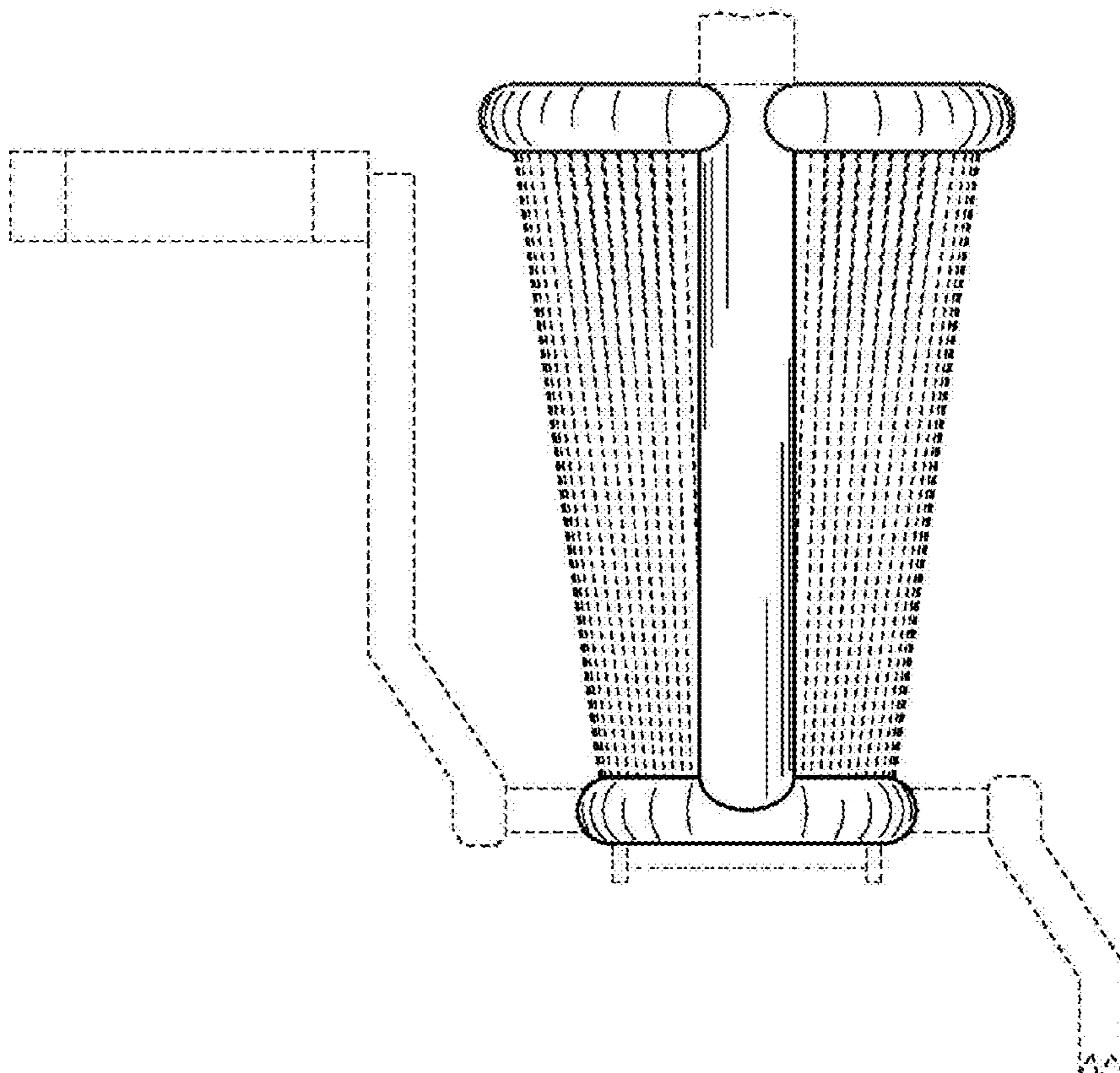
The broken lines in the drawings illustrate portions of the bicycle frame basket and environmental parts of a bicycle that form no part of the claimed design.

(56) **References Cited**

U.S. PATENT DOCUMENTS

D594,812 S * 6/2009 Helgerson D12/407
D626,909 S * 11/2010 Chen D12/407
8,074,852 B2 * 12/2011 Crum, Jr. B62J 9/001
224/432
D722,946 S * 2/2015 Armstrong D12/407

1 Claim, 4 Drawing Sheets



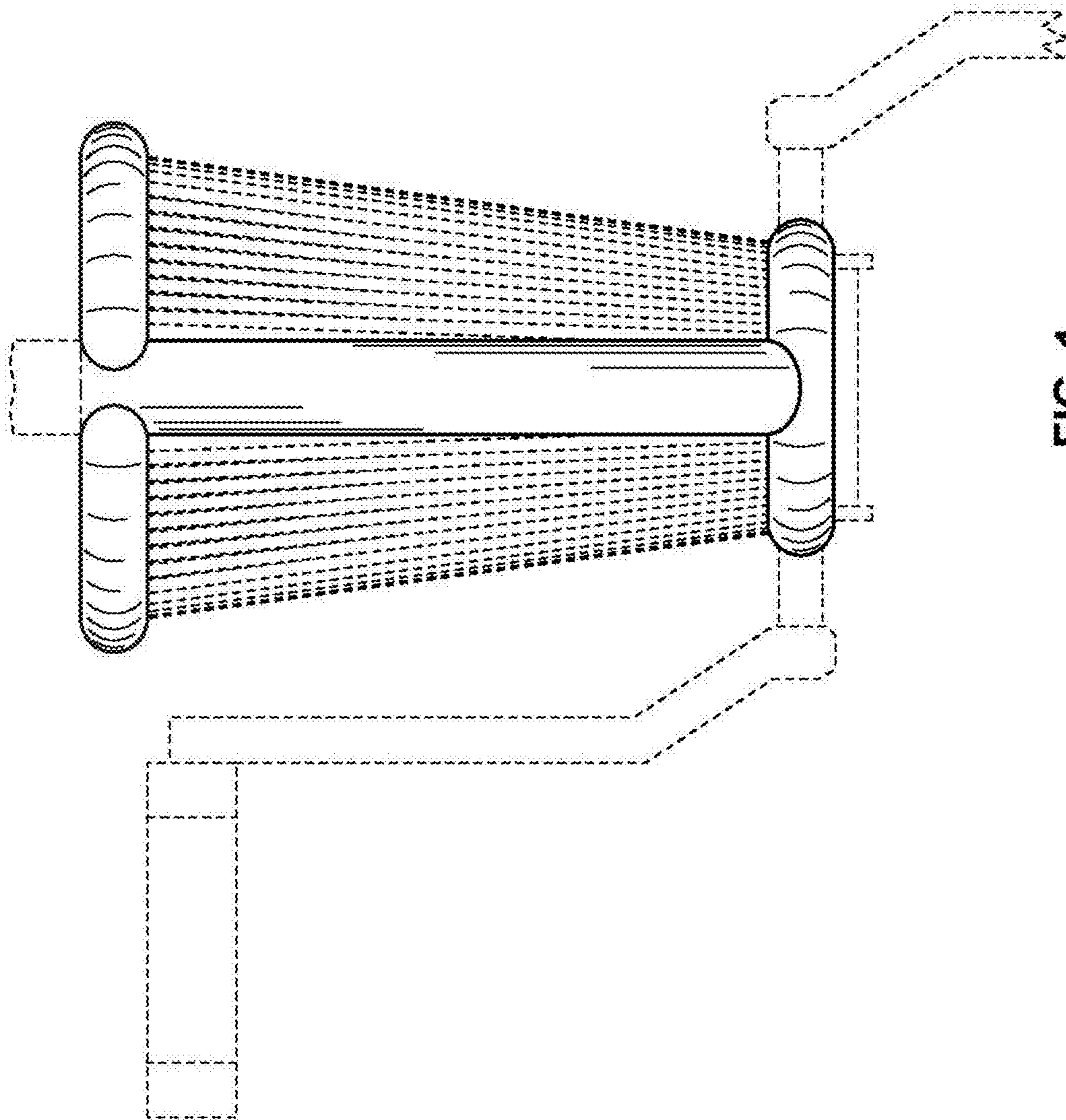


FIG. 1

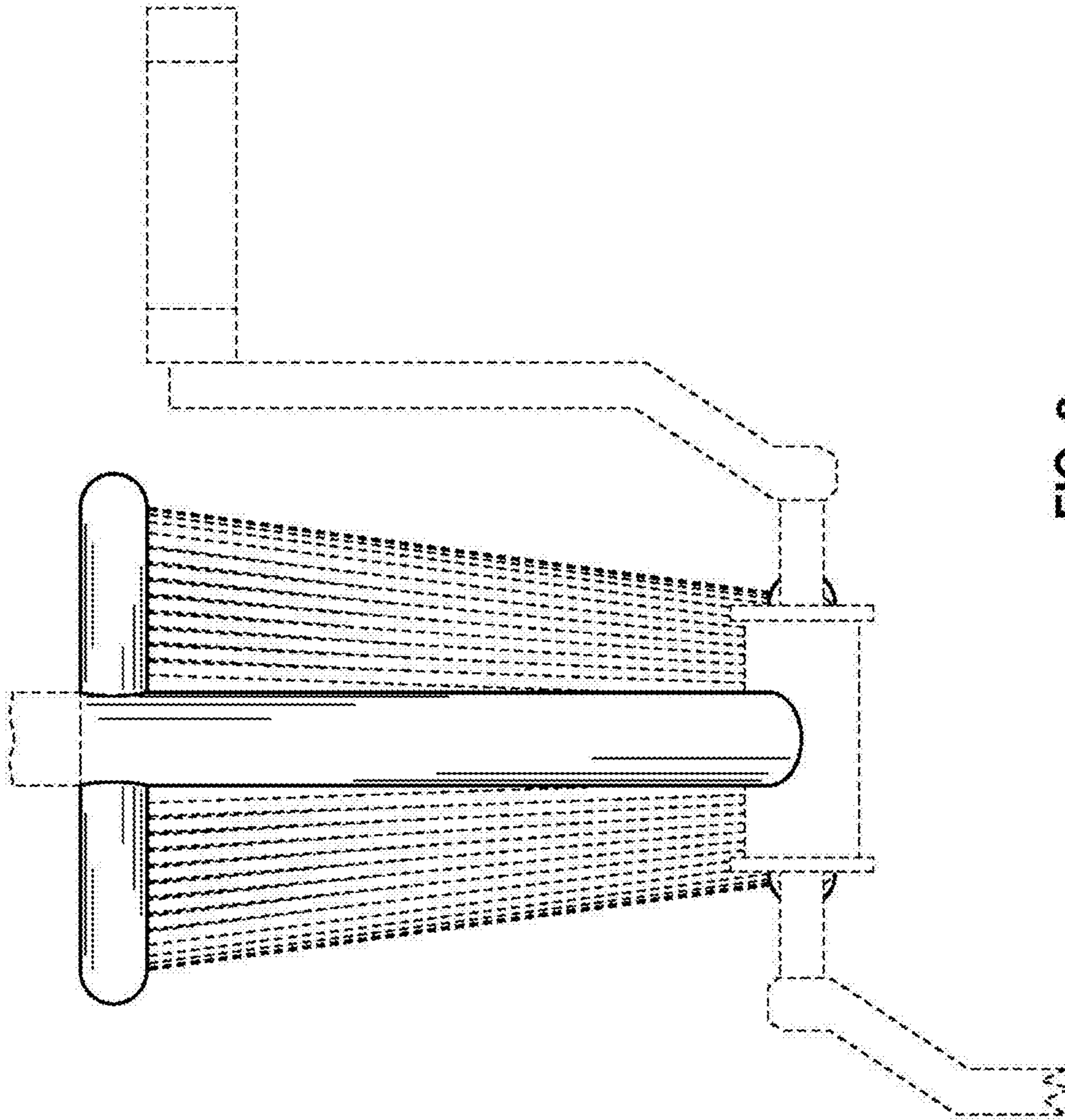


FIG. 2

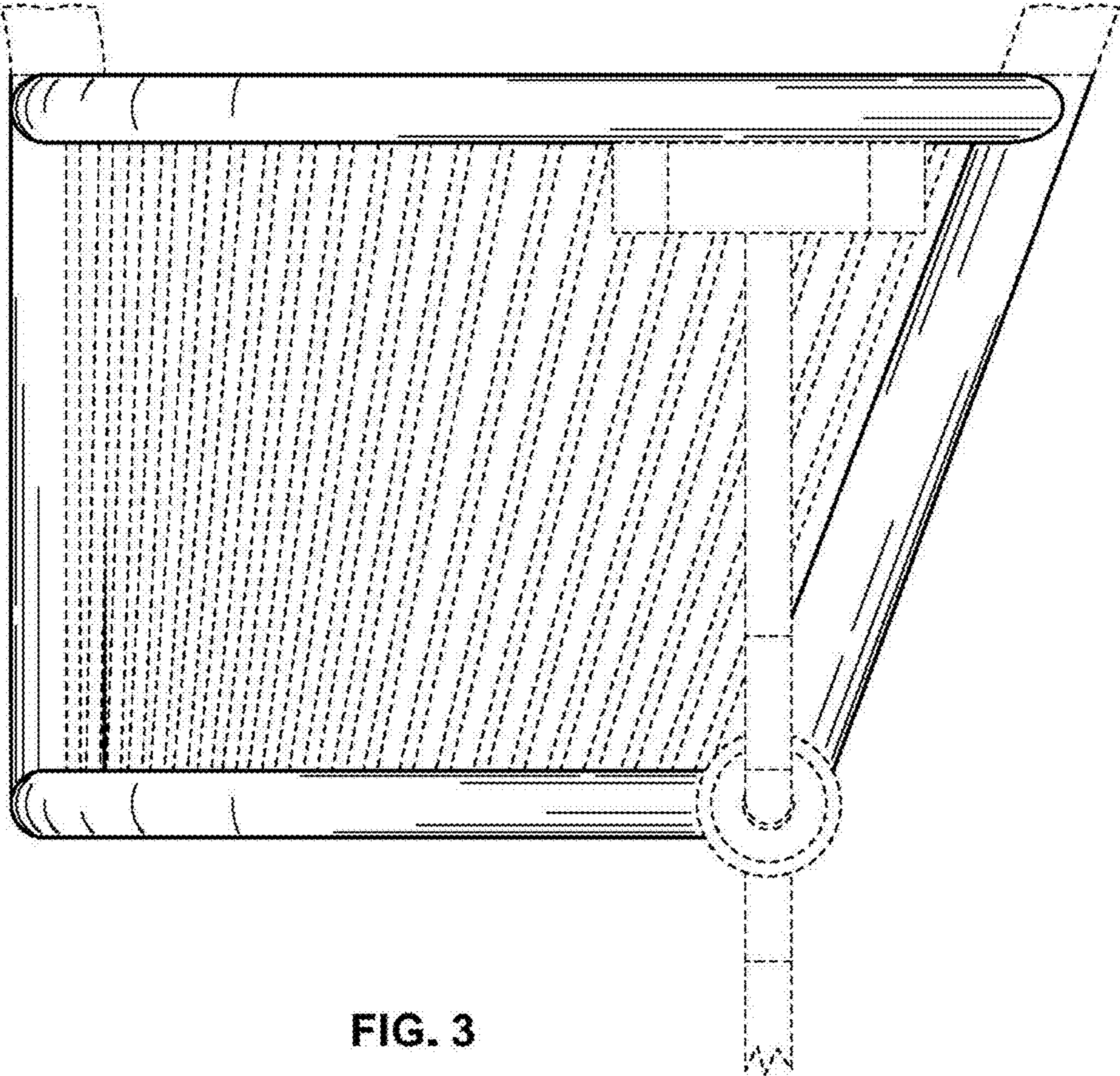


FIG. 3

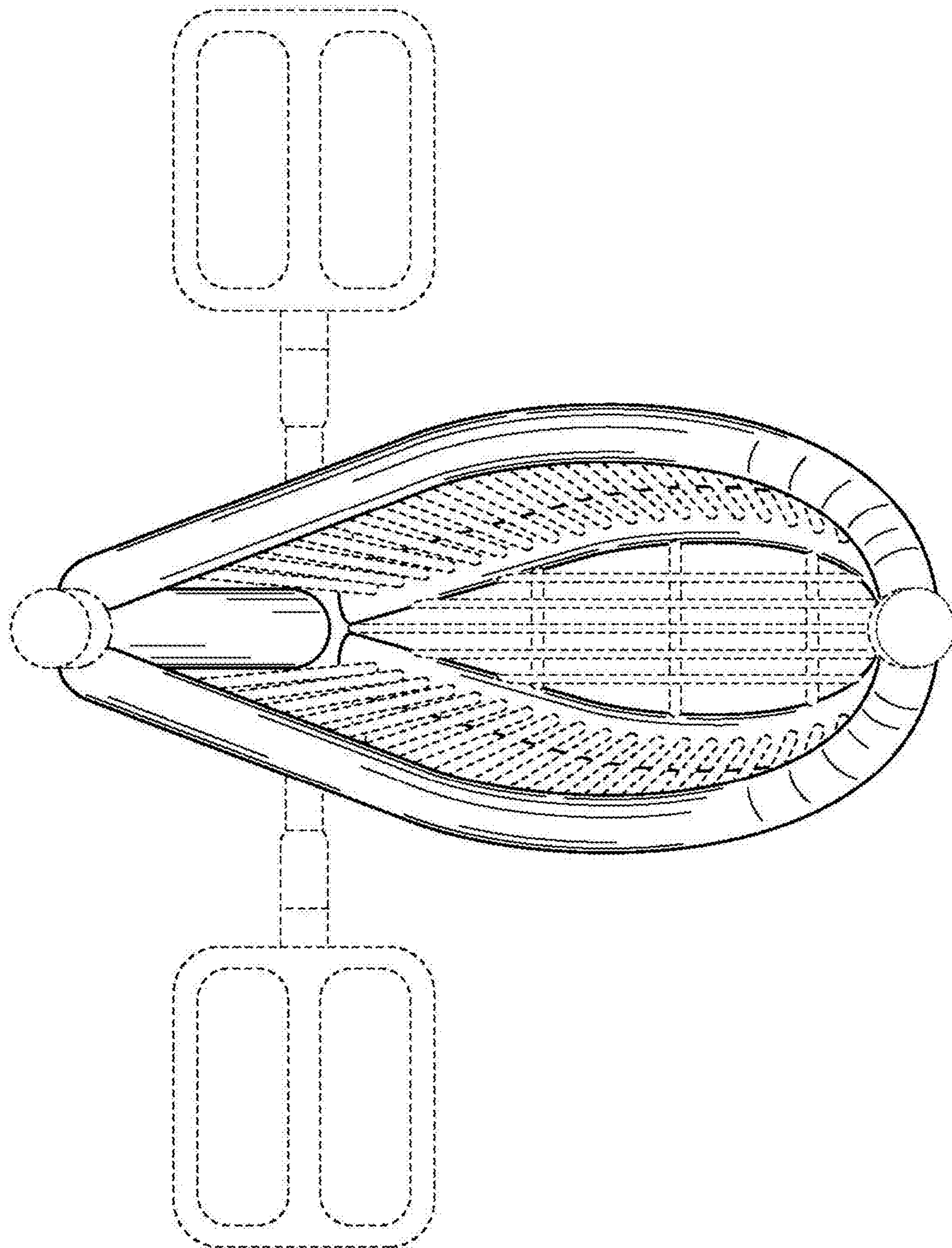


FIG. 4