

US00D860915S

(12) **United States Design Patent** (10) **Patent No.:** **US D860,915 S**
Tang (45) **Date of Patent:** **** Sep. 24, 2019**

(54) **BIKE MOUNTED HOLDER FOR A MOBILE DEVICE**

(71) Applicant: **Li Ding Tang**, Beijing (CN)

(72) Inventor: **Li Ding Tang**, Beijing (CN)

(**) Term: **15 Years**

(21) Appl. No.: **29/632,940**

(22) Filed: **Jan. 11, 2018**

(51) **LOC (12) Cl.** **12-11**

(52) **U.S. Cl.**
USPC **D12/407**

(58) **Field of Classification Search**
USPC D12/407, 114, 400, 415, 406, 177, 178,
D12/223; D14/253, 252, 251, 447, 432
CPC A45F 5/00; B62J 11/00; B62J 2099/0013;
B62J 2099/002; B62J 2099/004; B62J
2099/0026

See application file for complete search history.

(56) **References Cited**

U.S. PATENT DOCUMENTS

D320,022 S *	9/1991	Watanabe	D14/251
D391,265 S *	2/1998	Richter	D14/253
D391,266 S *	2/1998	Richter	D14/253
D411,542 S *	6/1999	Richter	D14/253
D411,543 S *	6/1999	Richter	D14/253
D415,771 S *	10/1999	Richter	D14/253
D432,121 S *	10/2000	Chen	D14/243
6,366,672 B1 *	4/2002	Tsay	B60R 11/0241 379/446
D529,905 S *	10/2006	Richter	D14/253
D530,713 S *	10/2006	Richter	D14/253
D535,988 S *	1/2007	Kettula	D14/253
D652,779 S *	1/2012	Richter	D12/223
D653,190 S *	1/2012	Richter	D12/223
D674,397 S *	1/2013	Asher	D14/447
D685,379 S *	7/2013	Richter	D14/253
D685,380 S *	7/2013	Richter	D14/253

D685,687 S	7/2013	Richter	
D707,672 S *	6/2014	Lai D14/253
D732,013 S *	6/2015	Aspinall D14/253
D748,087 S *	1/2016	Lee D14/251
D750,612 S *	3/2016	Chen D14/253
D752,571 S *	3/2016	Richter D14/253
D765,651 S *	9/2016	Liu D14/253
D766,908 S *	9/2016	Richter D14/447
D769,860 S	10/2016	Xiao	
D772,218 S *	11/2016	Alesi D14/253
D772,220 S	11/2016	Daniels et al.	
D780,168 S	2/2017	Du	

(Continued)

OTHER PUBLICATIONS

“One-Touch Bike Mount Holder”, by iOttie, Foudn Online [May 9, 2018] https://images-na.ssl-images-amazon.com/images/I/7131/11kYAR2QL_SL1500_jpg.

(Continued)

Primary Examiner — Michelle E. Wilson

Assistant Examiner — Clese Moore, Jr.

(74) *Attorney, Agent, or Firm* — Legalforce RAPC
Worldwide

(57) **CLAIM**

The ornamental design for a bike mounted holder for a mobile device, as shown and described.

DESCRIPTION

FIG. 1 is a front right-top perspective view for a bike mounted holder for a mobile device, showing my new design;

FIG. 2 is a front perspective view of FIG. 1 thereof;

FIG. 3 is a rear perspective view of FIG. 1 thereof;

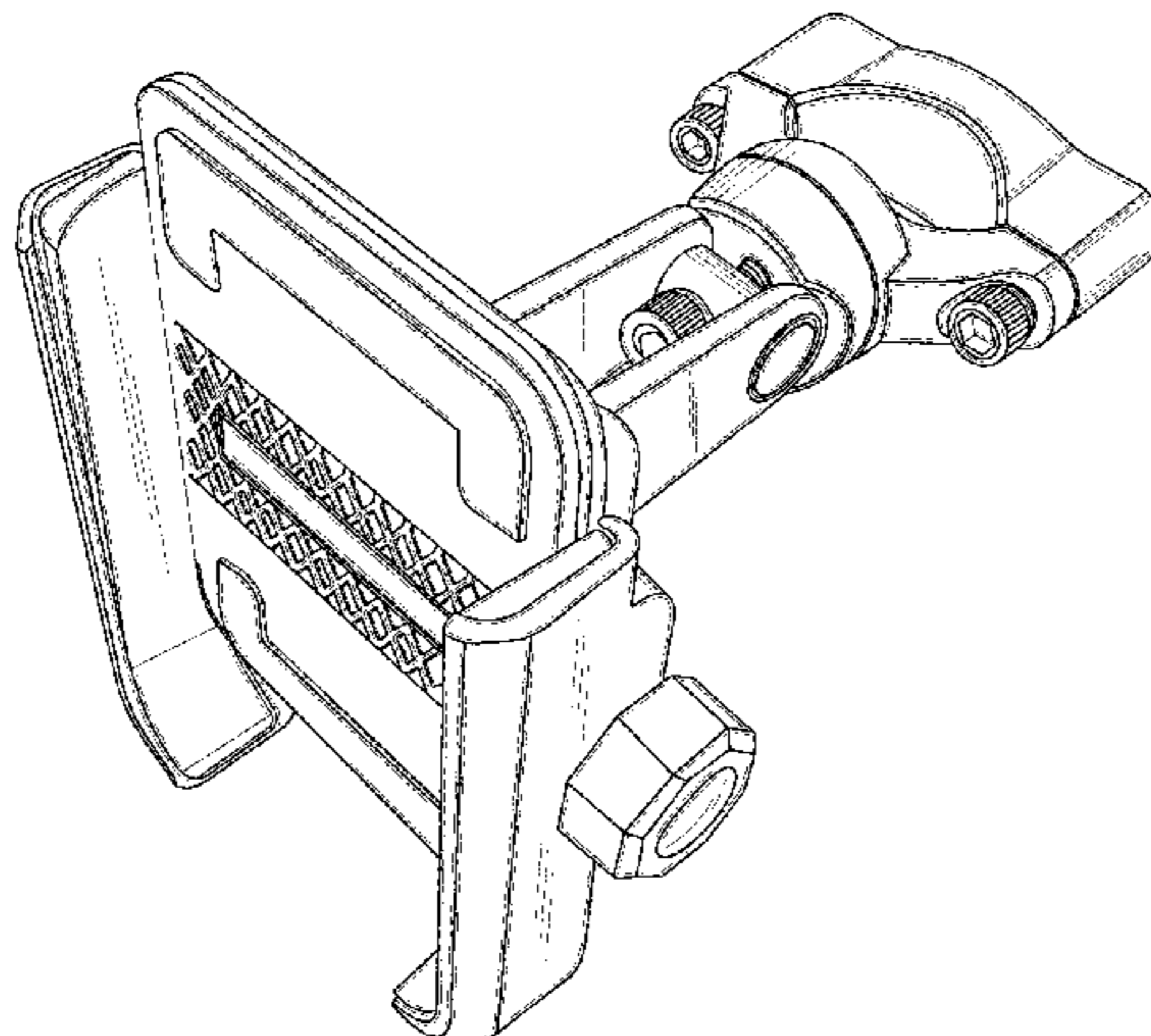
FIG. 4 is a left side perspective view of FIG. 1 thereof;

FIG. 5 is a right side perspective view of FIG. 1 thereof;

FIG. 6 is a top perspective view of FIG. 1 thereof; and,

FIG. 7 is a bottom perspective view of FIG. 1 thereof.

1 Claim, 7 Drawing Sheets



(56)

References Cited

U.S. PATENT DOCUMENTS

D780,743 S * 3/2017 Chun D14/253
D782,463 S * 3/2017 Segal D14/253
D782,901 S * 4/2017 Richter D8/355
D783,012 S 4/2017 Lee
D784,923 S * 4/2017 Song D13/108
D784,977 S * 4/2017 Ormsbee D14/253
D799,466 S 10/2017 Sukphist et al.
D804,487 S * 12/2017 Theis D14/447
2014/0009900 A1 * 1/2014 Yeo H04B 1/3888
361/809
2016/0207581 A1 * 7/2016 Cheng B62J 11/00

OTHER PUBLICATIONS

“Handlebar Bicycle Mount Holder”, by GreatShield, Found Online
[May 9, 2018] https://images-na.ssl-images-amazon.com/images/I/614gia7p4cL._SL1000_.jpg.

“Swivel Bike Mount Holder”, by HR Grip, Found Online [May 9,
2018] https://images-na.ssl-images-amazon.com/images/I/81MXCJ8KJ3L._SL1500_.jpg.

“Quick Release Handlebar Bike Cell Mount Holder”, by Mount-
Easy, Found Online [May 9, 2018] https://images-na.ssl-images-amazon.com/images/I/61nTwVXXqL._SL1343_.jpg.

* cited by examiner

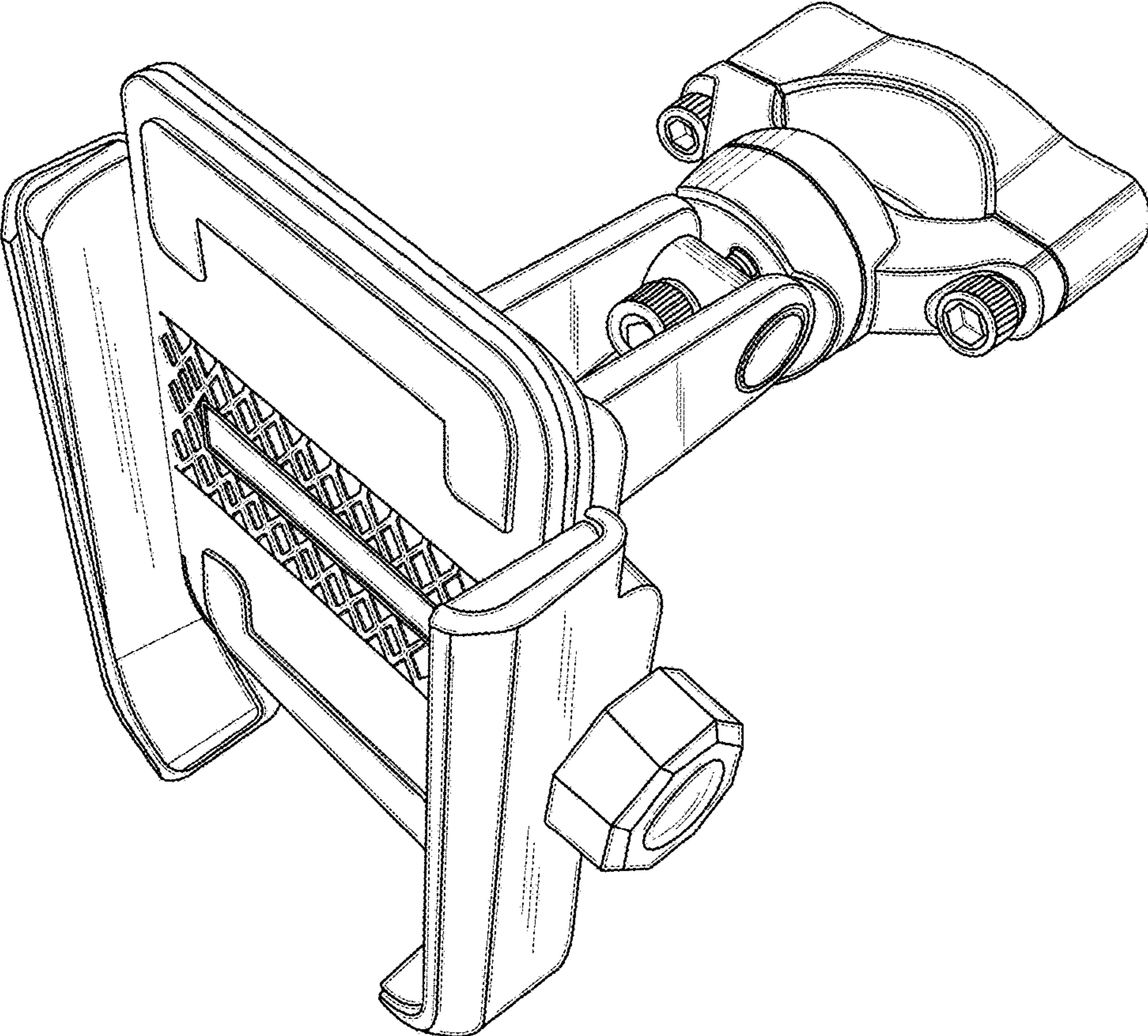


FIG. 1

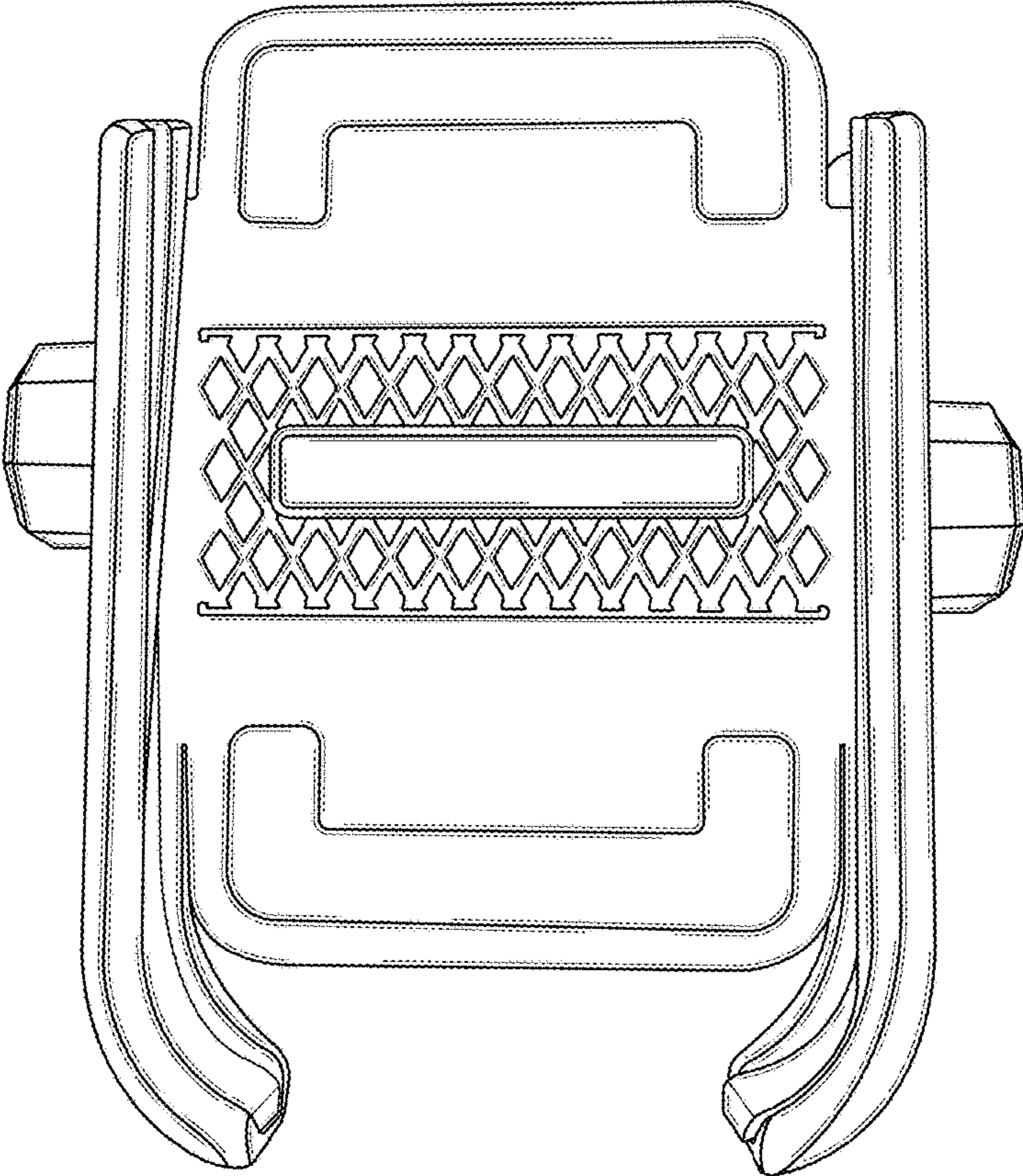


FIG. 2

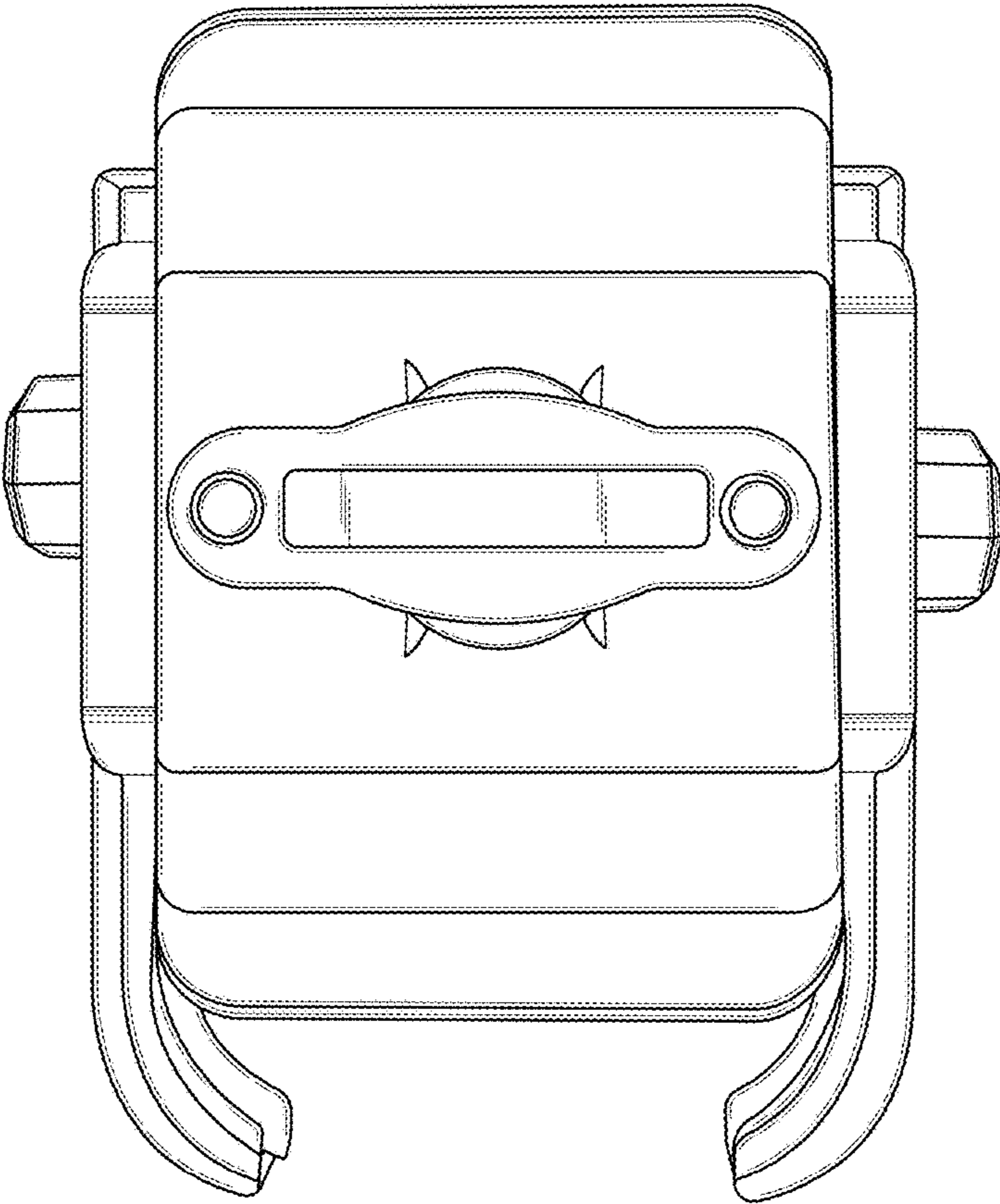


FIG. 3

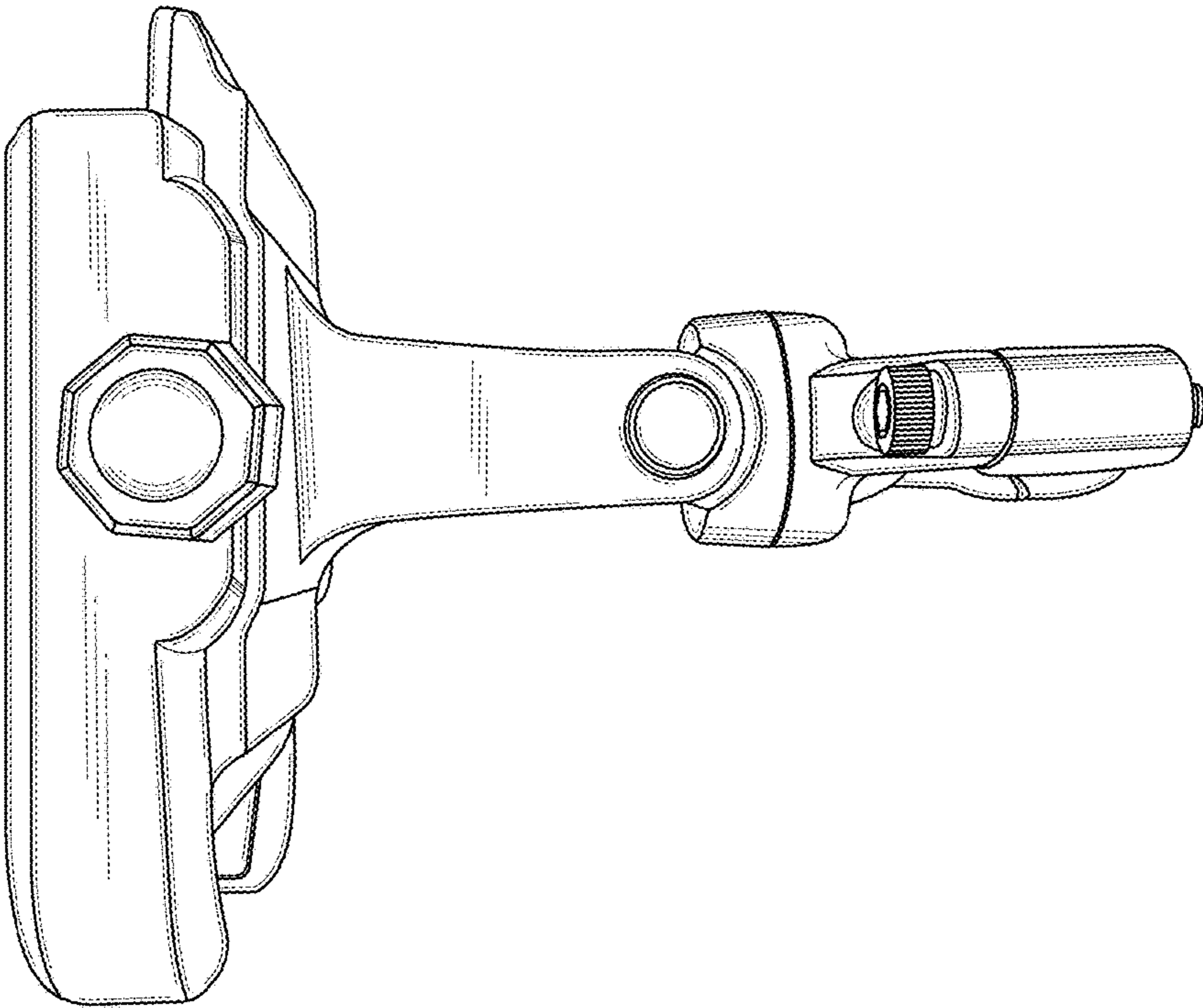


FIG. 4

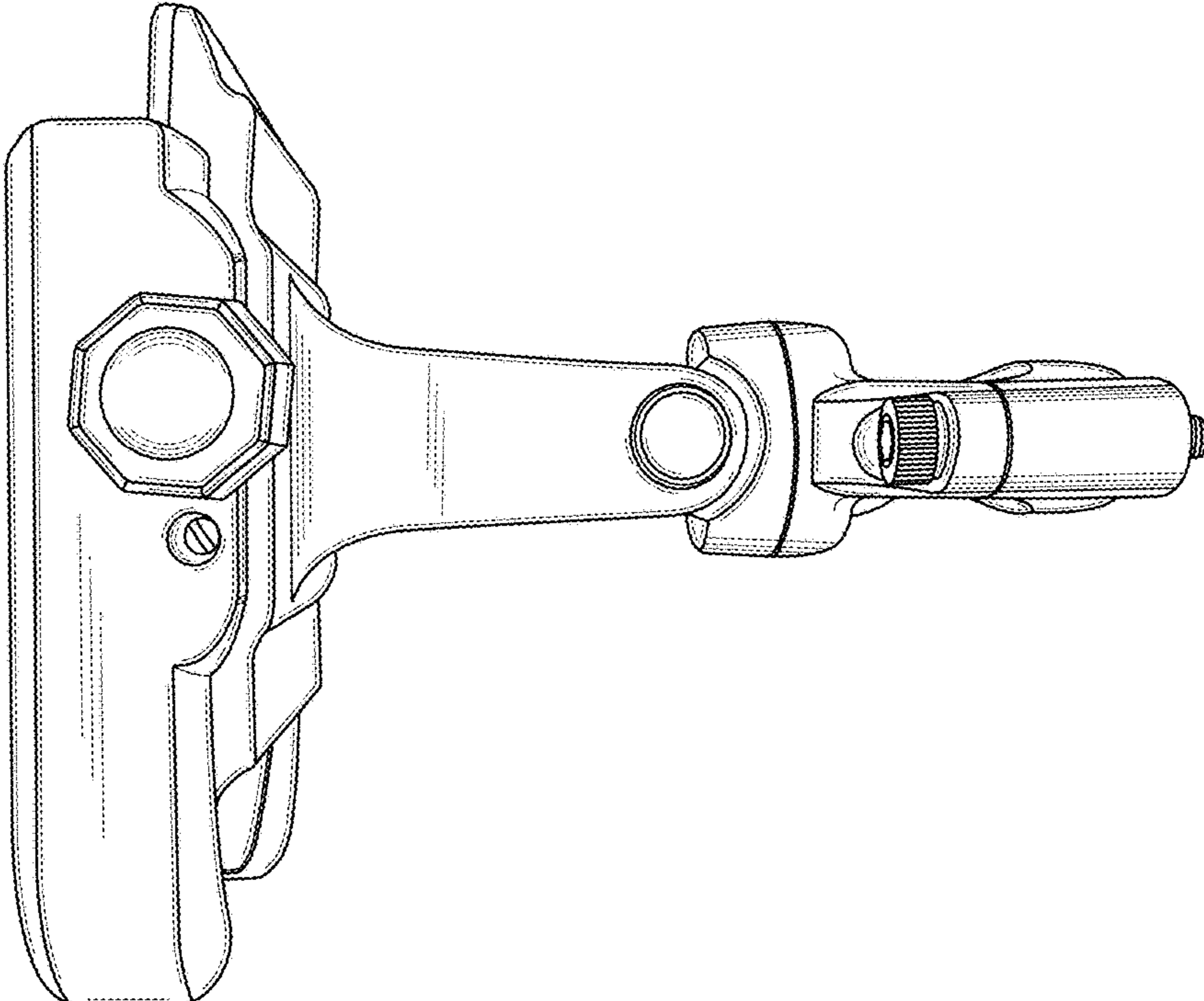


FIG. 5

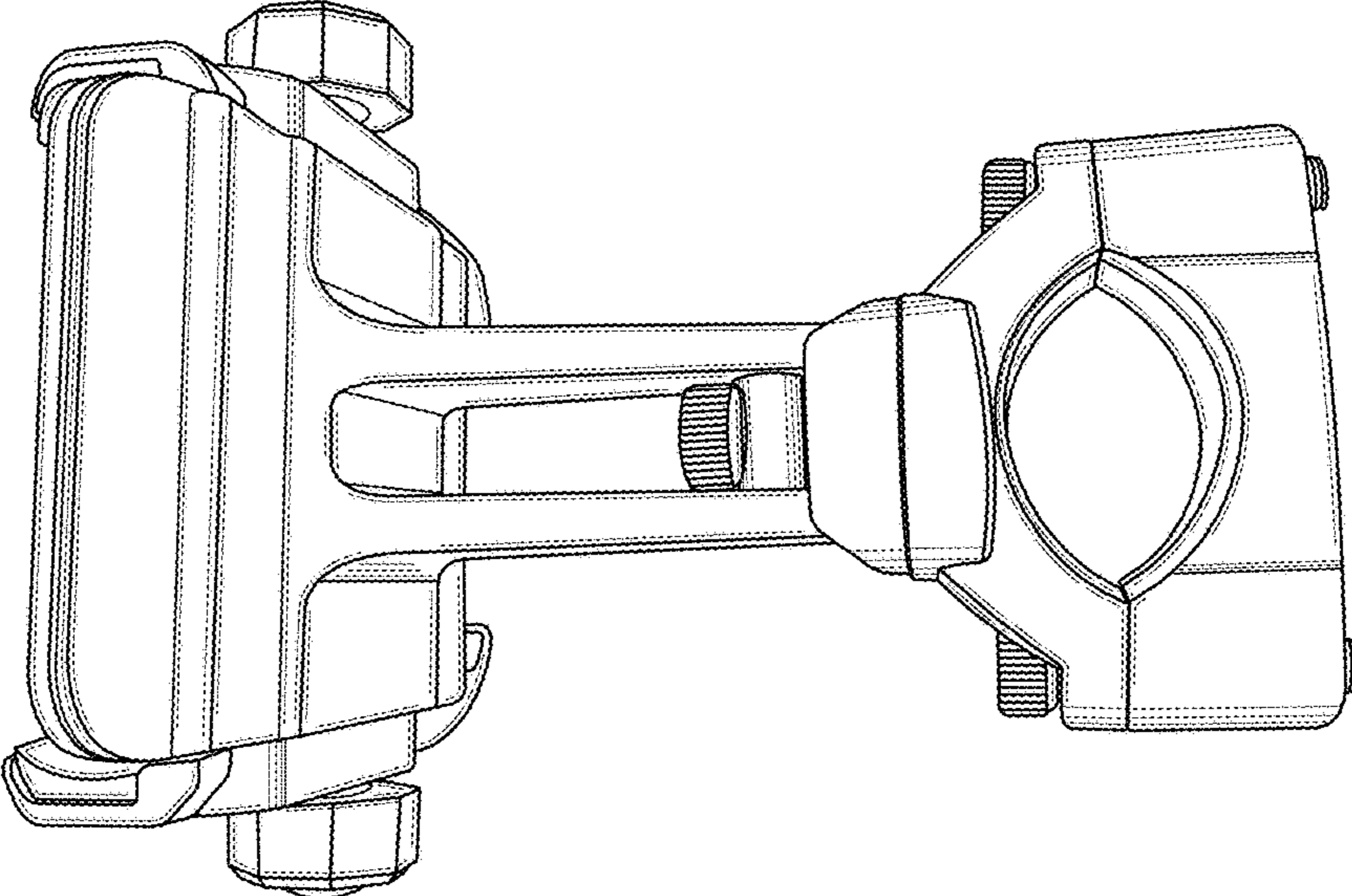


FIG. 6

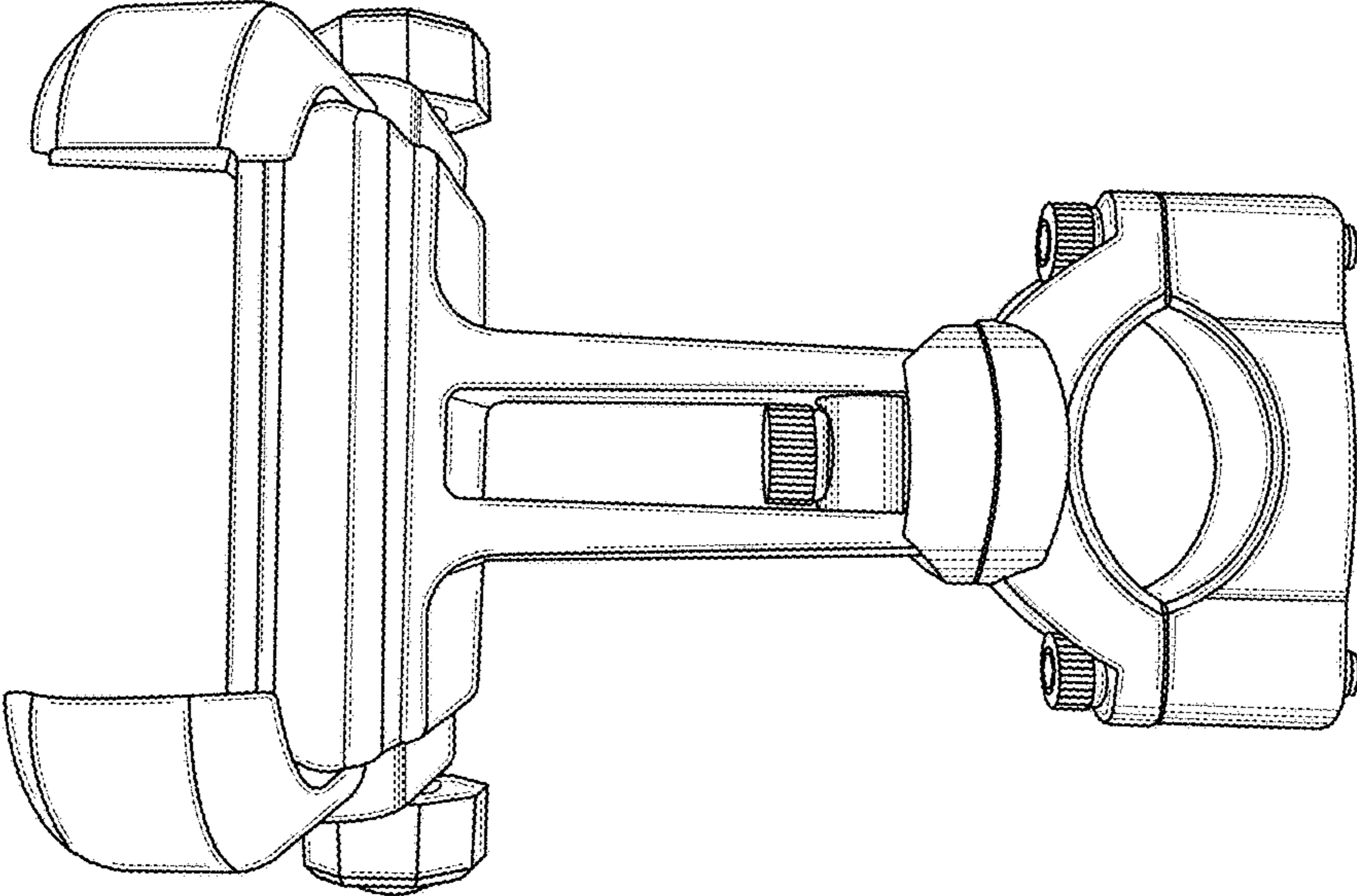


FIG. 7