

US00D860914S

(12) **United States Design Patent**
Han

(10) **Patent No.:** **US D860,914 S**

(45) **Date of Patent:** **** Sep. 24, 2019**

(54) **AUTOMOTIVE WHEEL**

(71) Applicant: **Donnie Han**, Corona, CA (US)

(72) Inventor: **Donnie Han**, Corona, CA (US)

(**) Term: **15 Years**

(21) Appl. No.: **29/665,758**

(22) Filed: **Oct. 5, 2018**

(51) **LOC (12) Cl.** **12-16**

(52) **U.S. Cl.**

USPC **D12/211**

(58) **Field of Classification Search**

USPC D12/204–213

CPC B60B 7/00; B60B 7/02; B60B 7/04; B60B 7/01; B60B 7/06; B60B 3/02; B60B 3/04; B60B 3/06; B60B 3/10; B60B 1/00; B60B 1/08; B60B 1/10; B60B 1/12

See application file for complete search history.

(56) **References Cited**

U.S. PATENT DOCUMENTS

D670,225 S * 11/2012 Muller D12/211
D670,226 S * 11/2012 Muller D12/211

D748,560 S * 2/2016 Simm D12/211
D763,164 S * 8/2016 Chung D12/211
D765,007 S * 8/2016 Chung D12/211
D782,386 S * 3/2017 Zhao D12/211
D802,512 S * 11/2017 Kong D12/211
D808,327 S * 1/2018 Chung D12/211
D823,225 S * 7/2018 Chung D12/211
D833,943 S * 11/2018 Chung D12/209
D837,712 S * 1/2019 Chung D12/209
D838,647 S * 1/2019 Han D12/209
D840,900 S * 2/2019 Lickliter D12/211
D842,200 S * 3/2019 Han D12/209

* cited by examiner

Primary Examiner — Stacia A Cadmus

(57) **CLAIM**

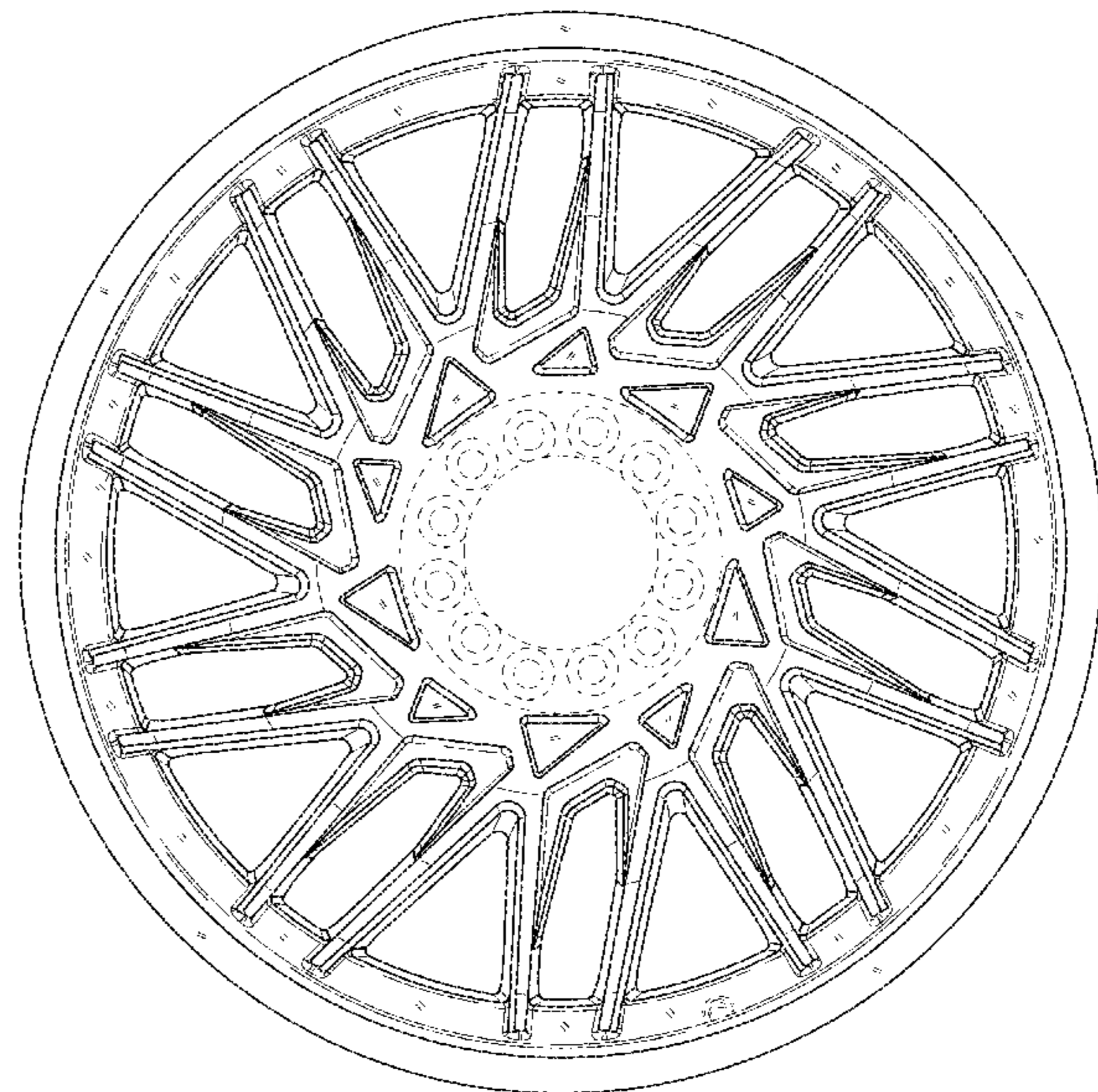
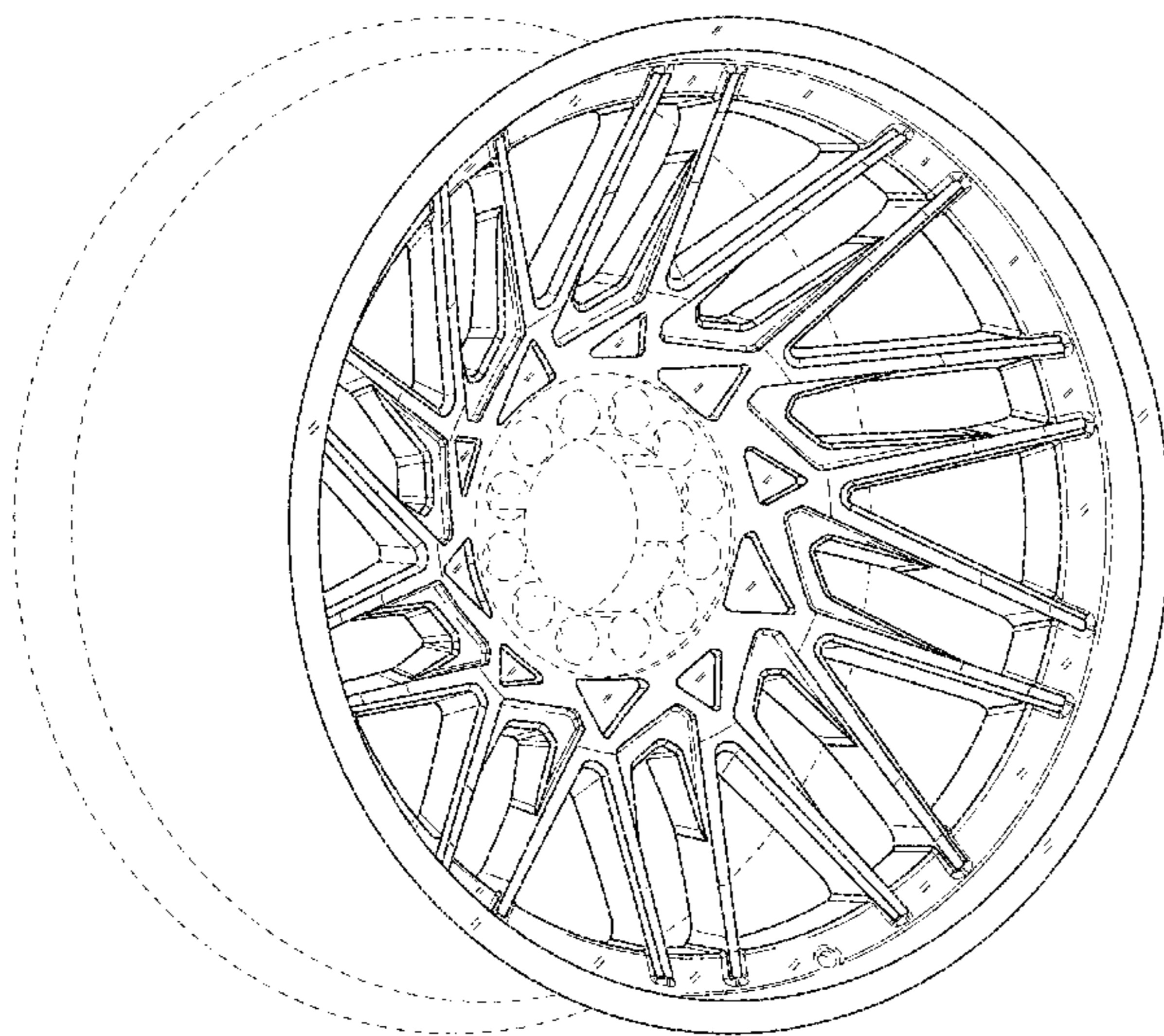
The ornamental design for an automotive wheel, as shown and described.

DESCRIPTION

FIG. 1 is a perspective view of an automobile wheel showing my new design; and, FIG. 2 is a front view thereof.

In the drawings, the broken lines depict environmental subject matter and form no part of the claimed design.

1 Claim, 2 Drawing Sheets



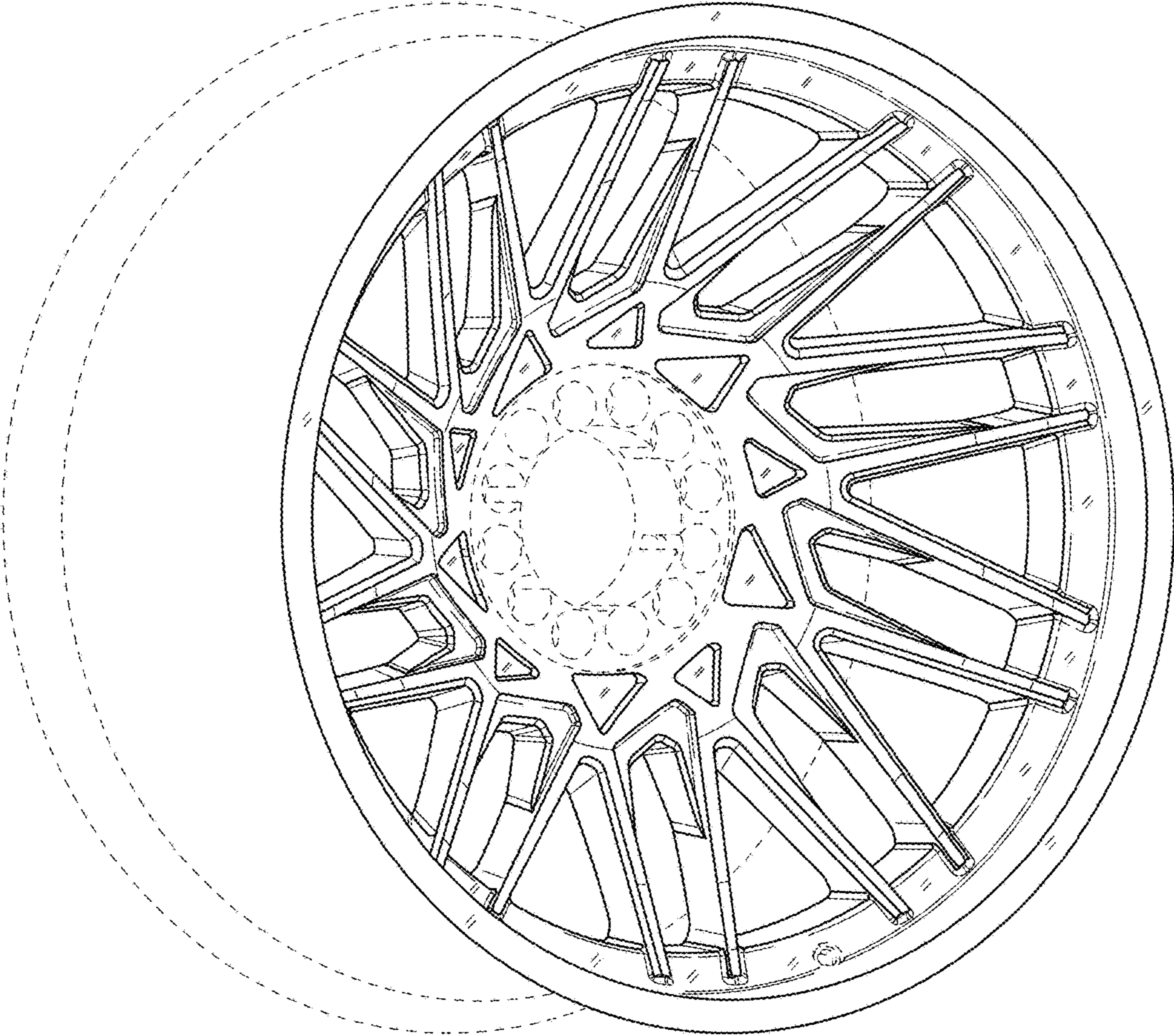


FIGURE 1

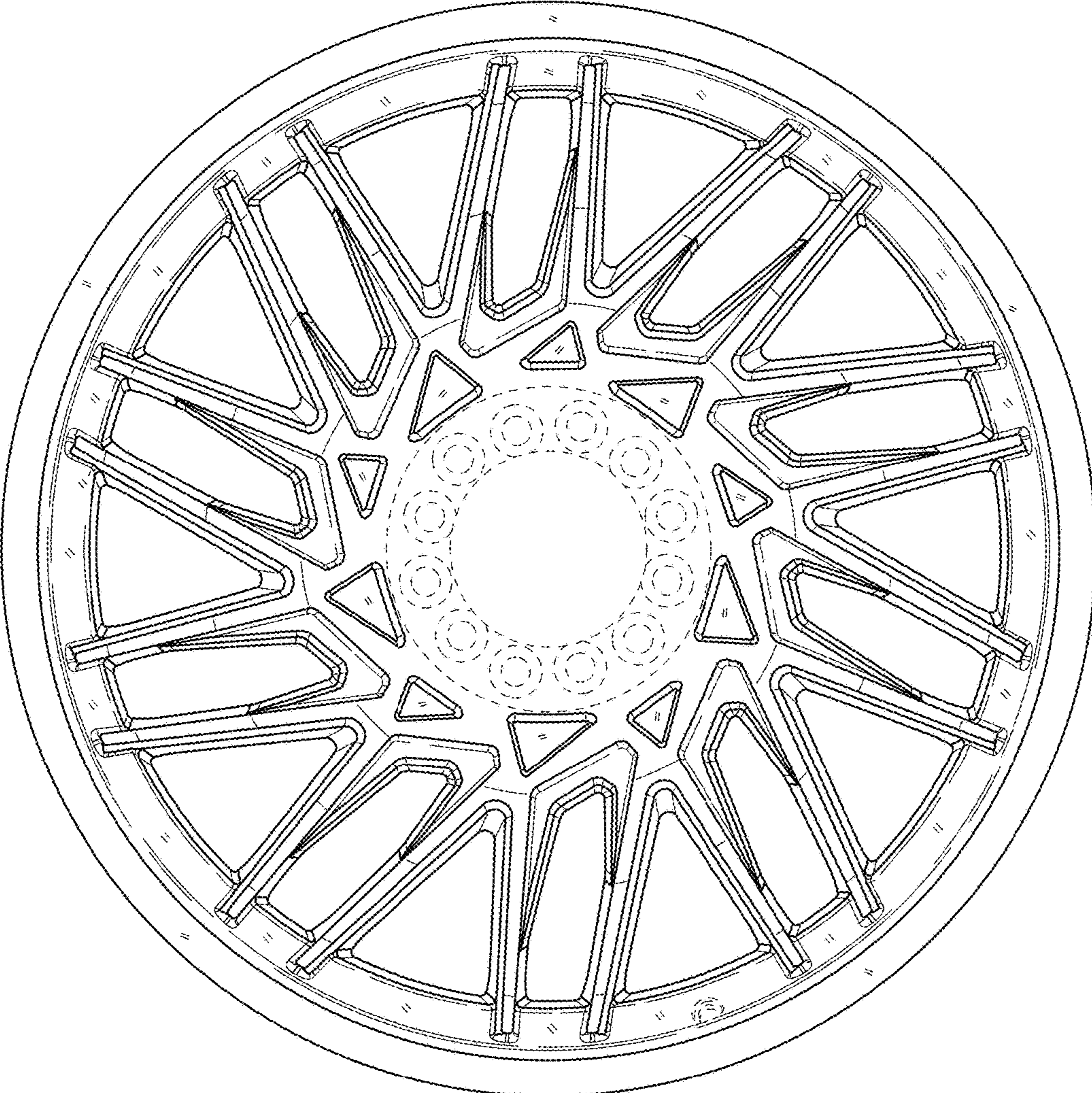


FIGURE 2