

US00D860912S

(12) **United States Design Patent**
Luo

(10) **Patent No.:** **US D860,912 S**

(45) **Date of Patent:** **** Sep. 24, 2019**

(54) **VEHICLE WHEEL**

(71) Applicant: **JAT Wheels, Inc.**, Alhambra, CA (US)

(72) Inventor: **Tom Luo**, Alhambra, CA (US)

(**) Term: **15 Years**

(21) Appl. No.: **29/618,735**

(22) Filed: **Sep. 22, 2017**

(51) **LOC (12) Cl.** **12-16**

(52) **U.S. Cl.**
USPC **D12/211**

(58) **Field of Classification Search**
USPC D12/204-213
CPC B60B 7/00; B60B 7/02; B60B 7/04; B60B
7/01; B60B 7/06; B60B 3/02; B60B 3/04;
B60B 3/06; B60B 3/10; B60B 1/00;
B60B 1/08; B60B 1/10; B60B 1/12
See application file for complete search history.

(56) **References Cited**

U.S. PATENT DOCUMENTS

1,090,743	A	*	3/1914	Morot	B60B 1/08 301/65
D450,649	S	*	11/2001	Penzes	D12/211
D473,836	S	*	4/2003	Laengerer	D12/211
D504,382	S	*	4/2005	Elmitt	D12/211
D520,435	S	*	5/2006	Kulla	D12/211
D522,950	S	*	6/2006	Pfeiffer	D12/211
D531,951	S	*	11/2006	Khan	D12/211
D576,095	S	*	9/2008	Chung	D12/211
D593,020	S	*	5/2009	Blasi	D12/211
D593,021	S	*	5/2009	Chung	D12/211
D596,548	S	*	7/2009	Gallert	D12/211
D610,516	S	*	2/2010	Dilber	D12/211
D618,155	S	*	6/2010	Zhao	D12/211
D625,244	S	*	10/2010	Zhao	D12/211
D632,239	S	*	2/2011	Gallert	D12/211
D638,766	S	*	5/2011	Hilpert	D12/211
D658,105	S	*	4/2012	Hans	D12/211

D663,673	S	*	7/2012	Platto	D12/211
D668,198	S	*	10/2012	Platto	D12/211
D678,165	S	*	3/2013	Zhao	D12/211
D682,181	S	*	5/2013	Zhao	D12/211
D682,770	S	*	5/2013	Zhao	D12/211
D685,310	S	*	7/2013	Alfonso	D12/211
D690,252	S	*	9/2013	Bernoni	D12/211
D697,013	S	*	1/2014	Nemeth	D12/211
D706,192	S	*	6/2014	Chung	D12/209
D717,711	S	*	11/2014	Kern	D12/211
D744,931	S	*	12/2015	Curic	D12/211
D763,766	S	*	8/2016	Alfonso	D12/211
D781,205	S	*	3/2017	O'Neill	D12/211
D788,011	S	*	5/2017	Mielke	D12/211

(Continued)

Primary Examiner — Stacia A Cadmus

(74) *Attorney, Agent, or Firm* — Tommy S F Wang;
Wang IP Law Group, P.C.

(57) **CLAIM**

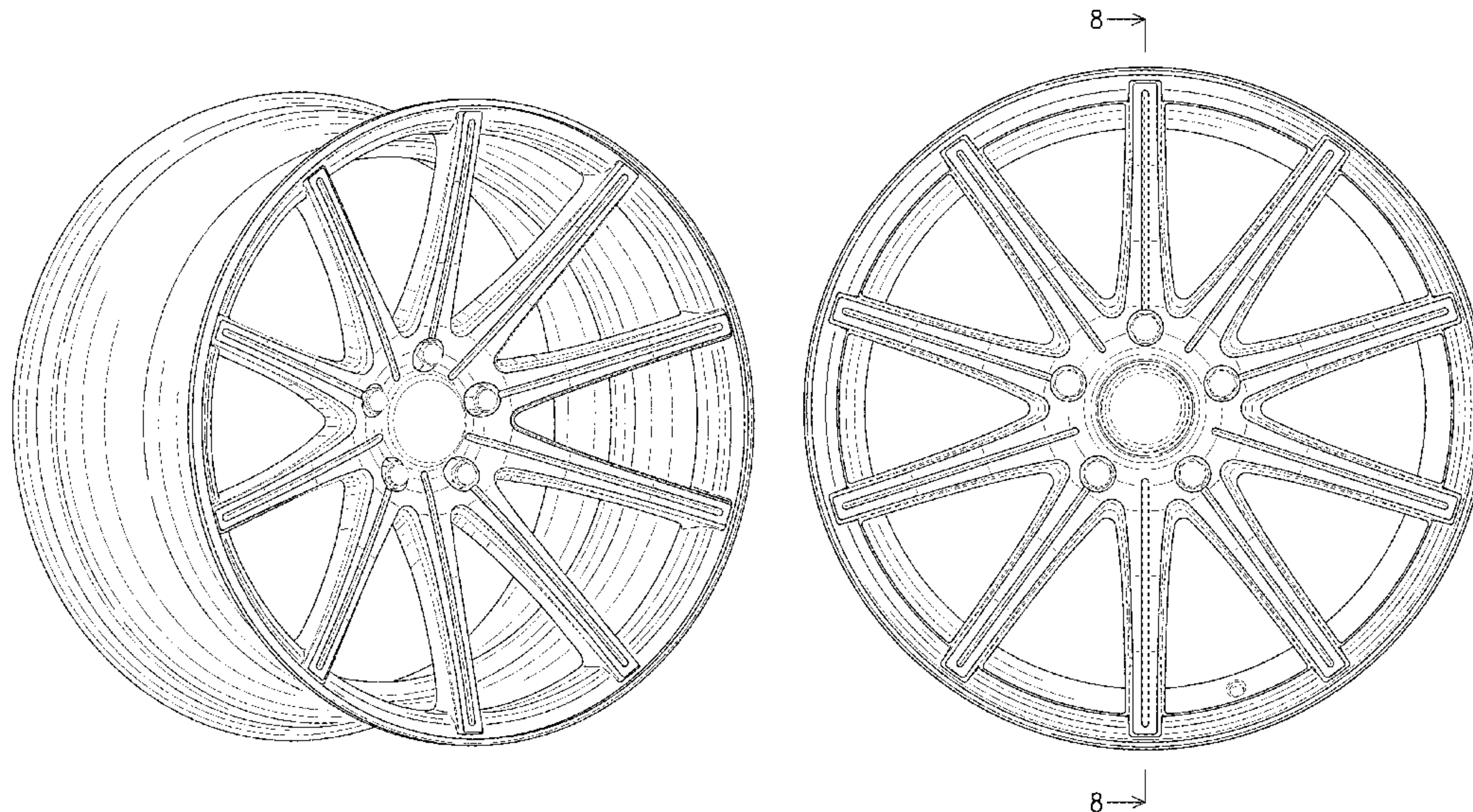
The ornamental design for a vehicle wheel, as shown and described.

DESCRIPTION

FIG. 1 is a perspective view of a vehicle wheel showing my new design;
FIG. 2 is a front view thereof;
FIG. 3 is a rear view thereof;
FIG. 4 is a left side view thereof;
FIG. 5 is a right side view thereof;
FIG. 6 is a top view thereof;
FIG. 7 is a bottom view thereof; and,
FIG. 8 is a cross-sectional view thereof taken along the line 8-8 of FIG. 2.

The broken lines of screws in FIGS. 1-2 and 8 illustrate unclaimed environment and forms no part of the claimed design. The broken line portions of the vehicle wheel in FIGS. 1-3, 5 and 7-8 represent unclaimed portions of the claimed design and form no part thereof.

1 Claim, 7 Drawing Sheets



(56)

References Cited

U.S. PATENT DOCUMENTS

D792,310 S * 7/2017 Burki D12/211
D821,286 S * 6/2018 Zhao D12/211
D845,204 S * 4/2019 Hilpert D12/211

* cited by examiner

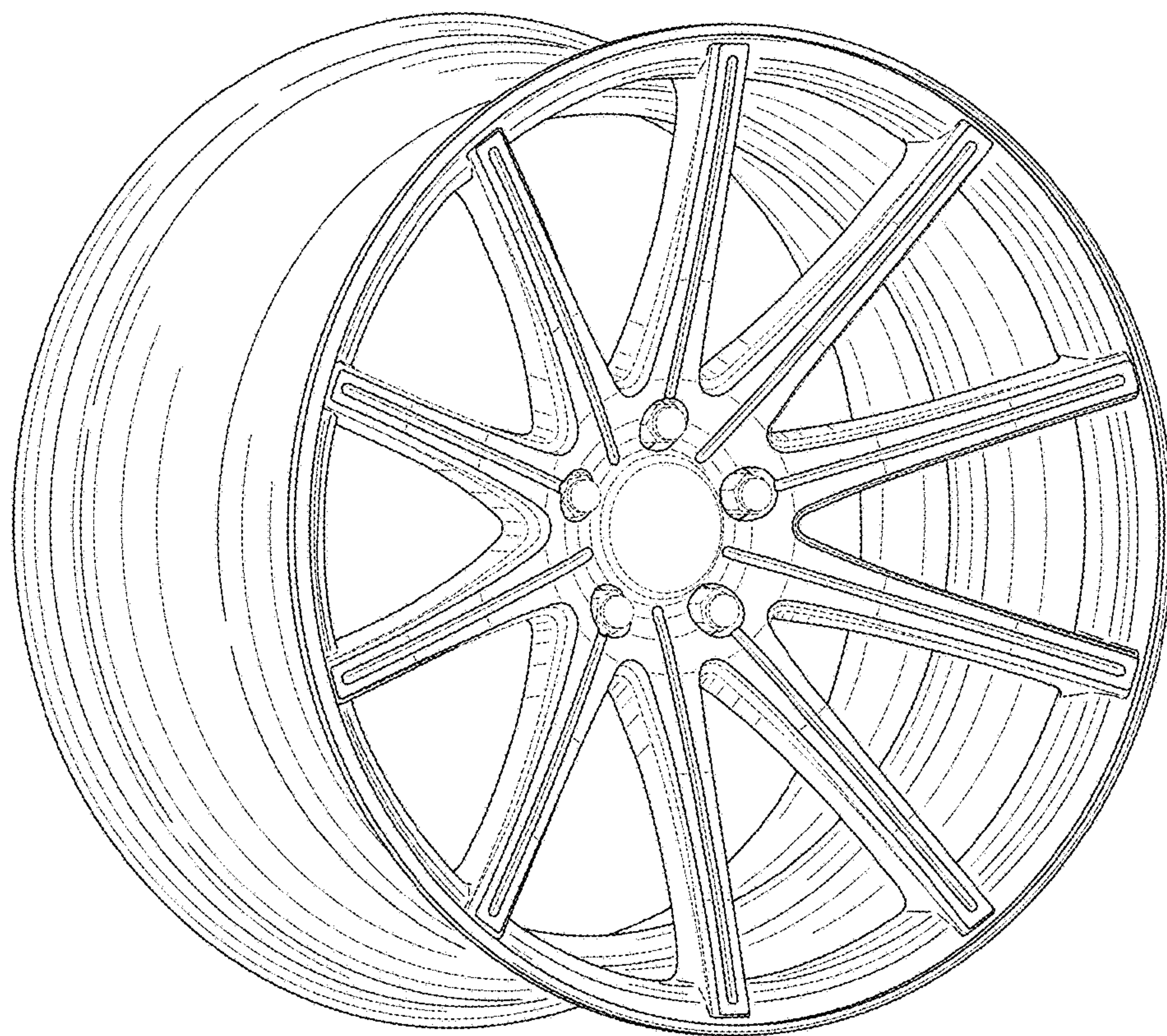


FIG. 1

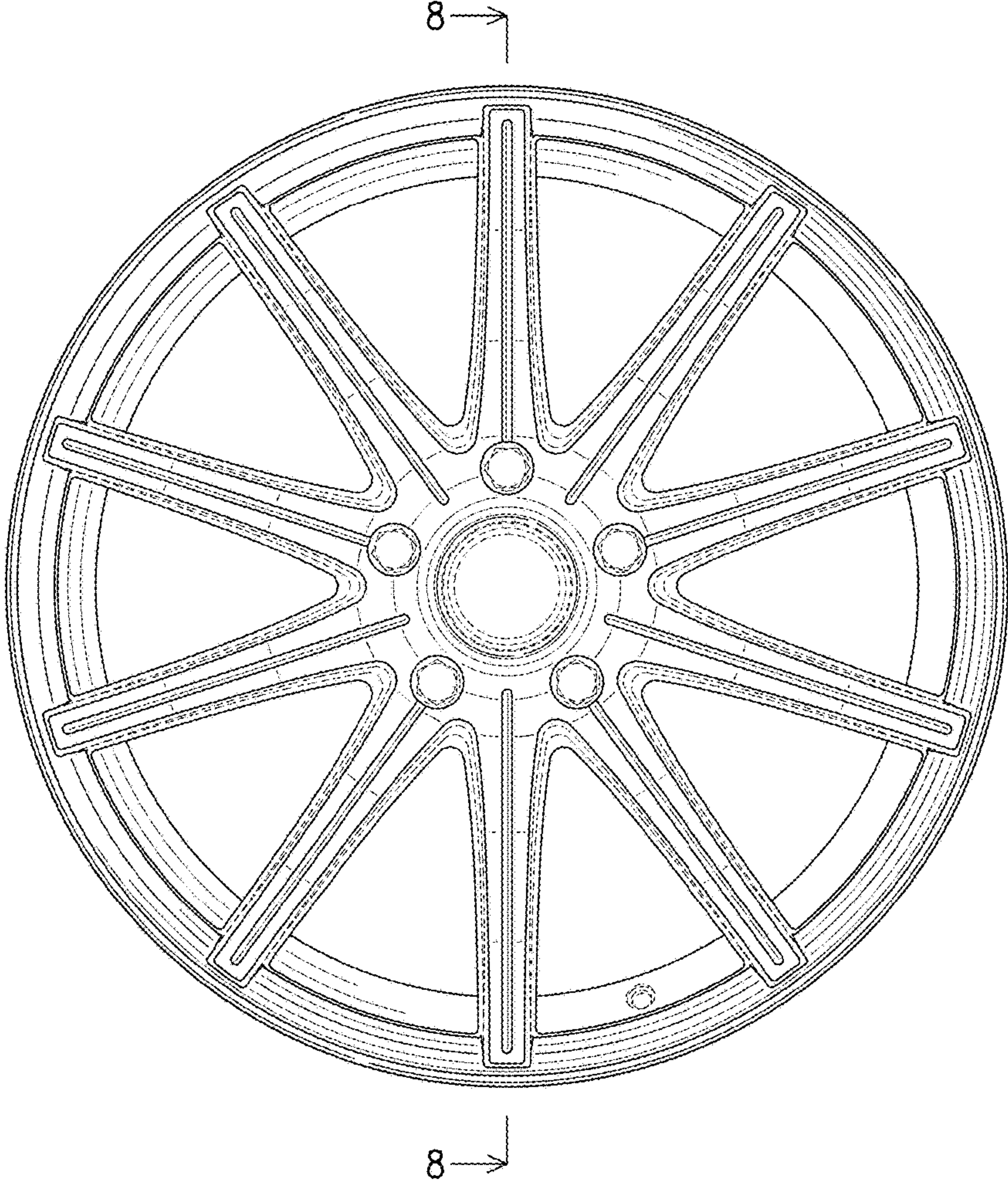


FIG. 2

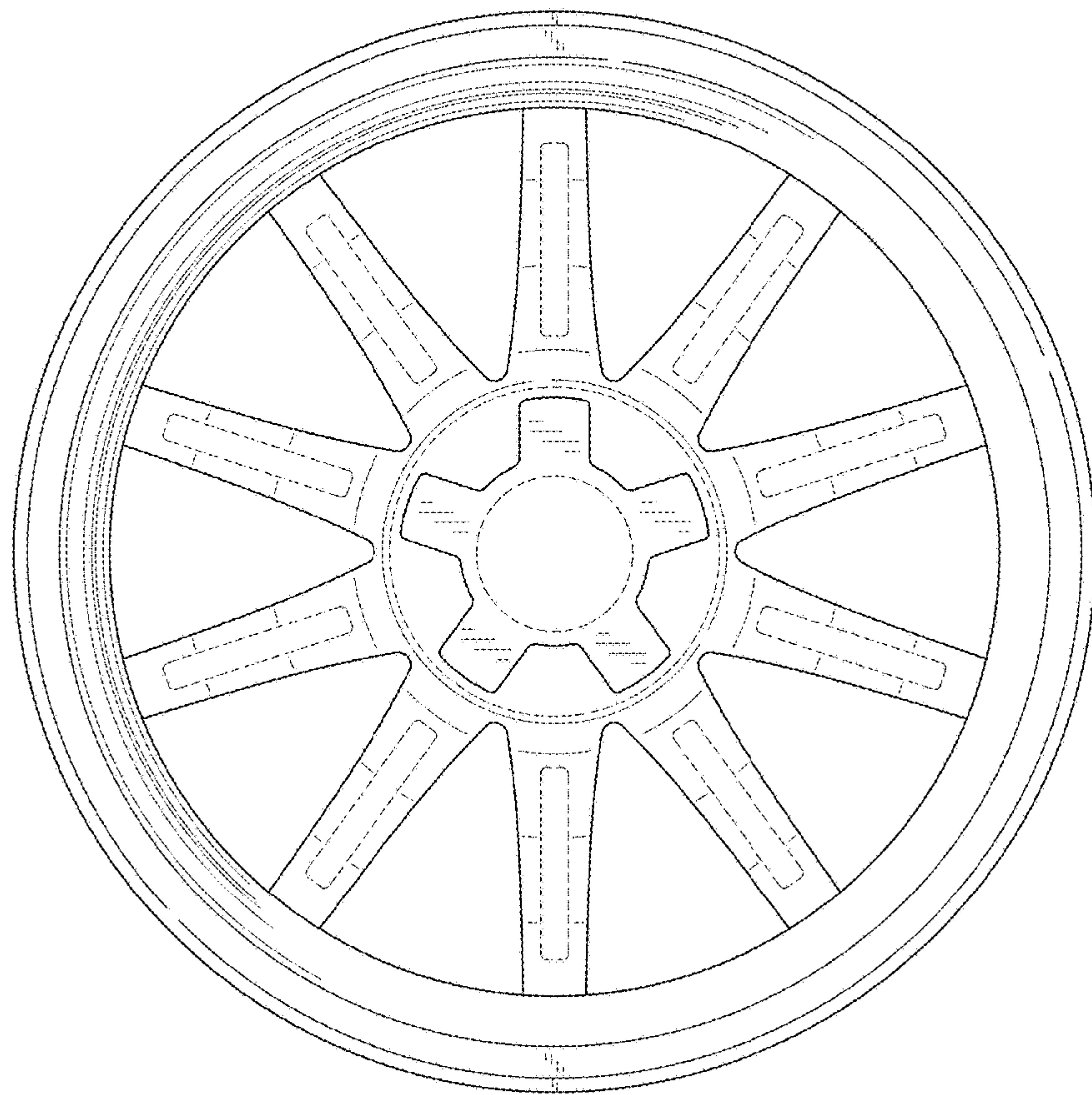


FIG. 3

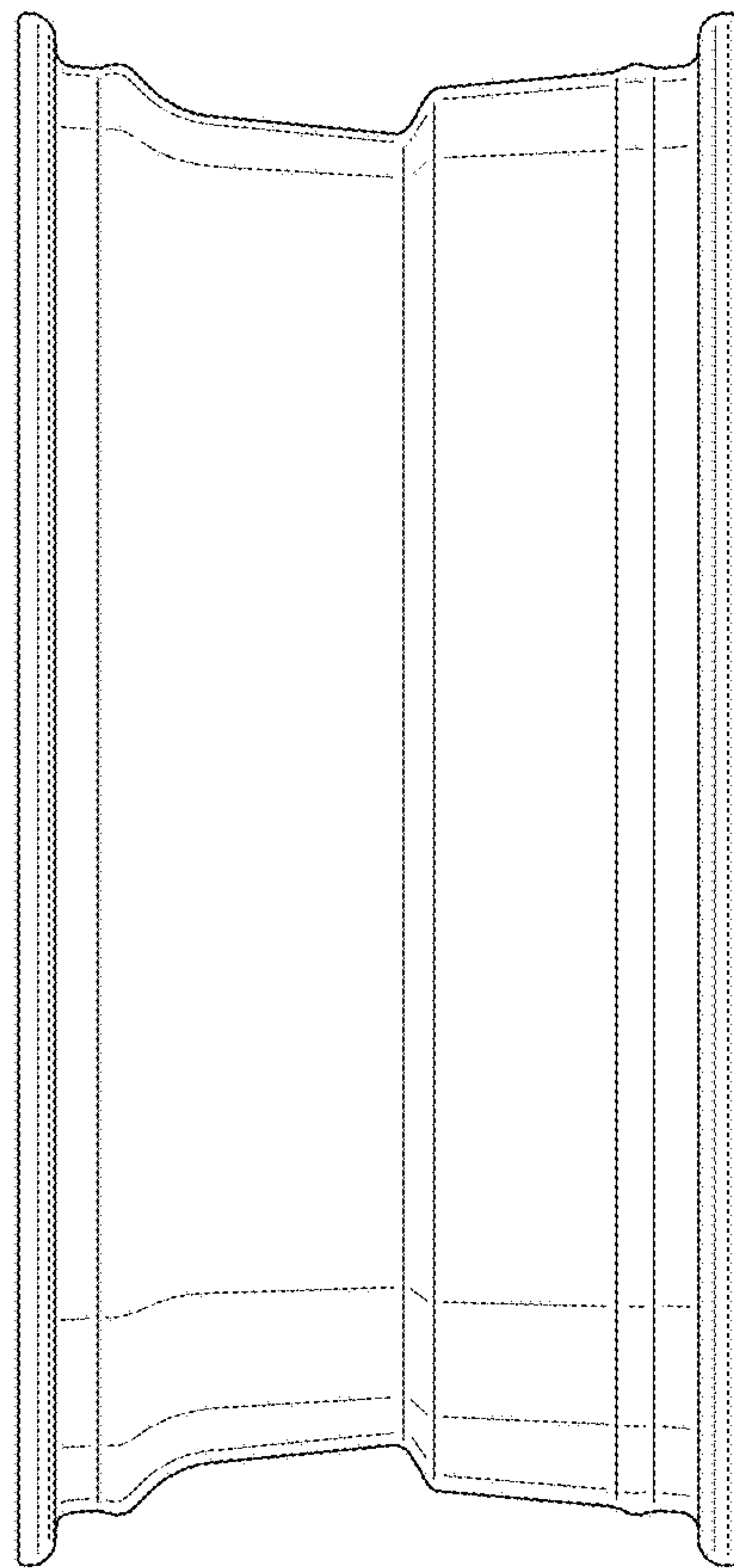


FIG. 4

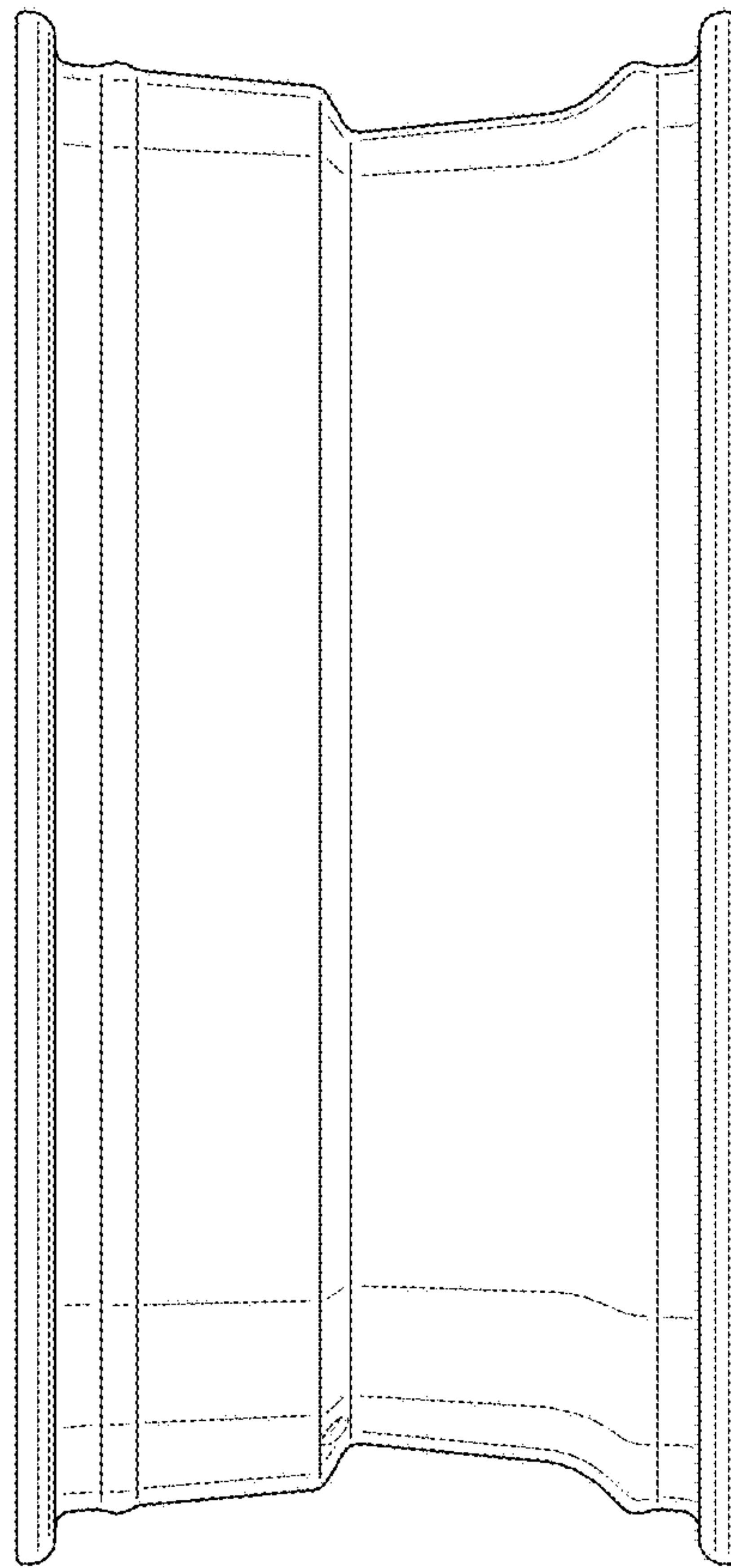


FIG. 5

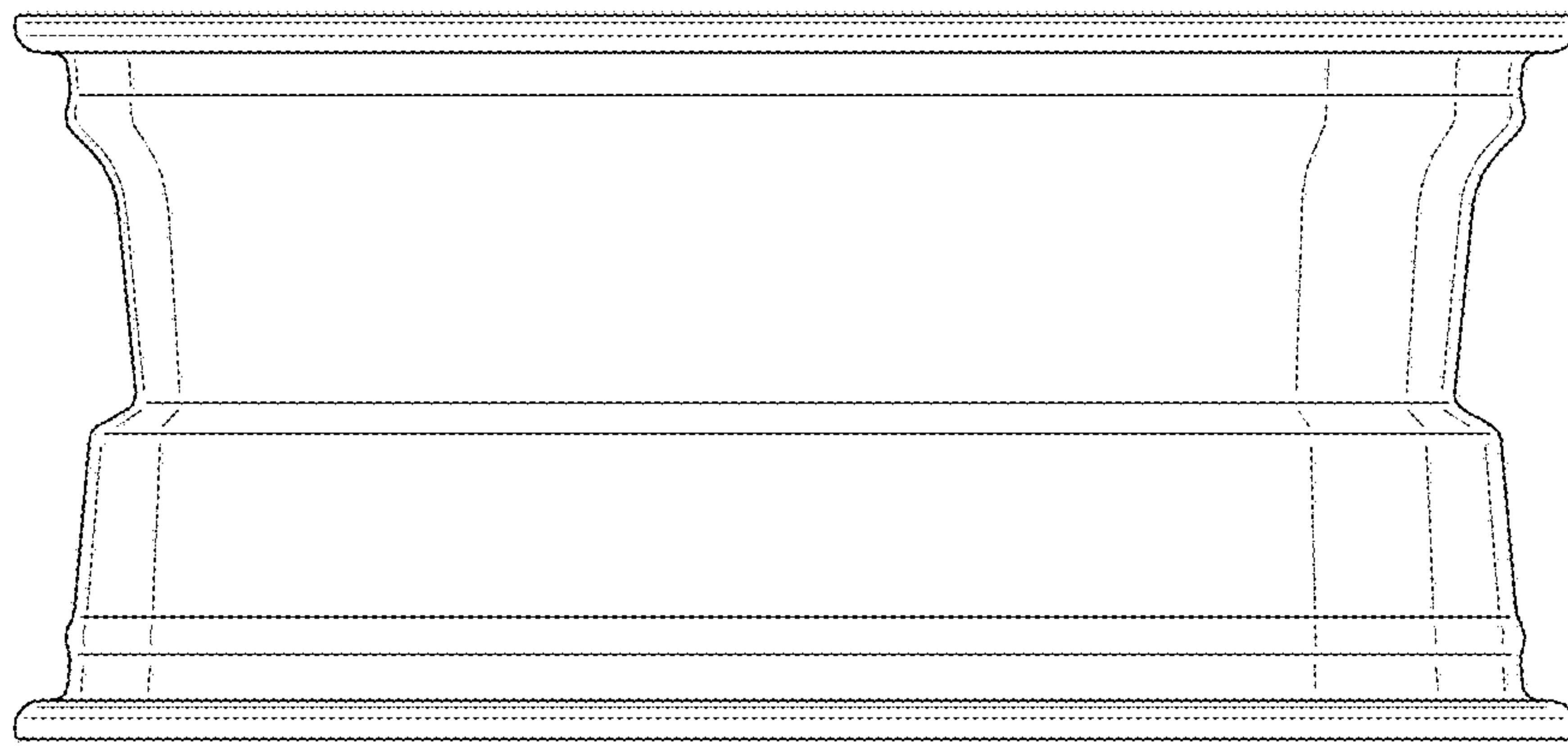


FIG. 6

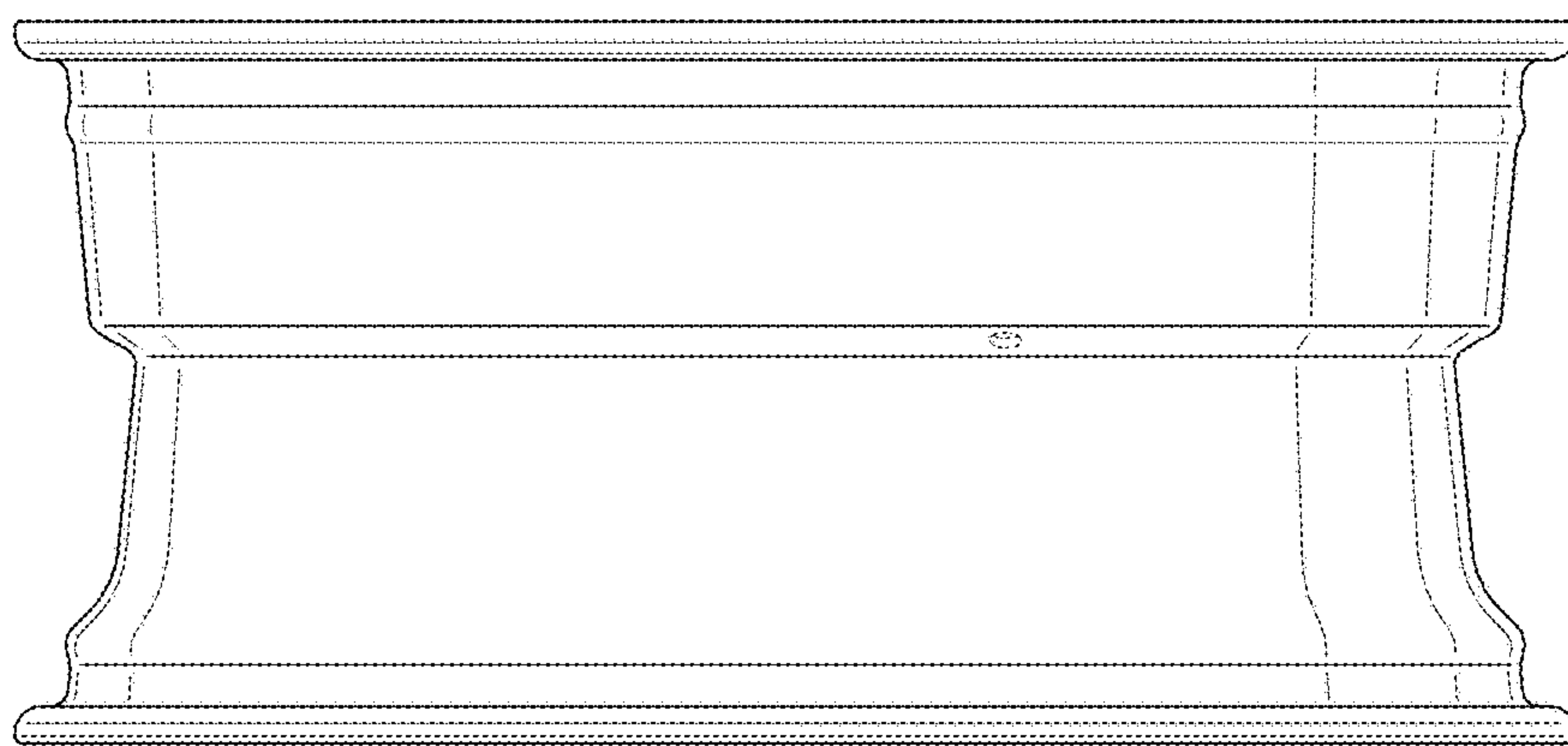


FIG. 7

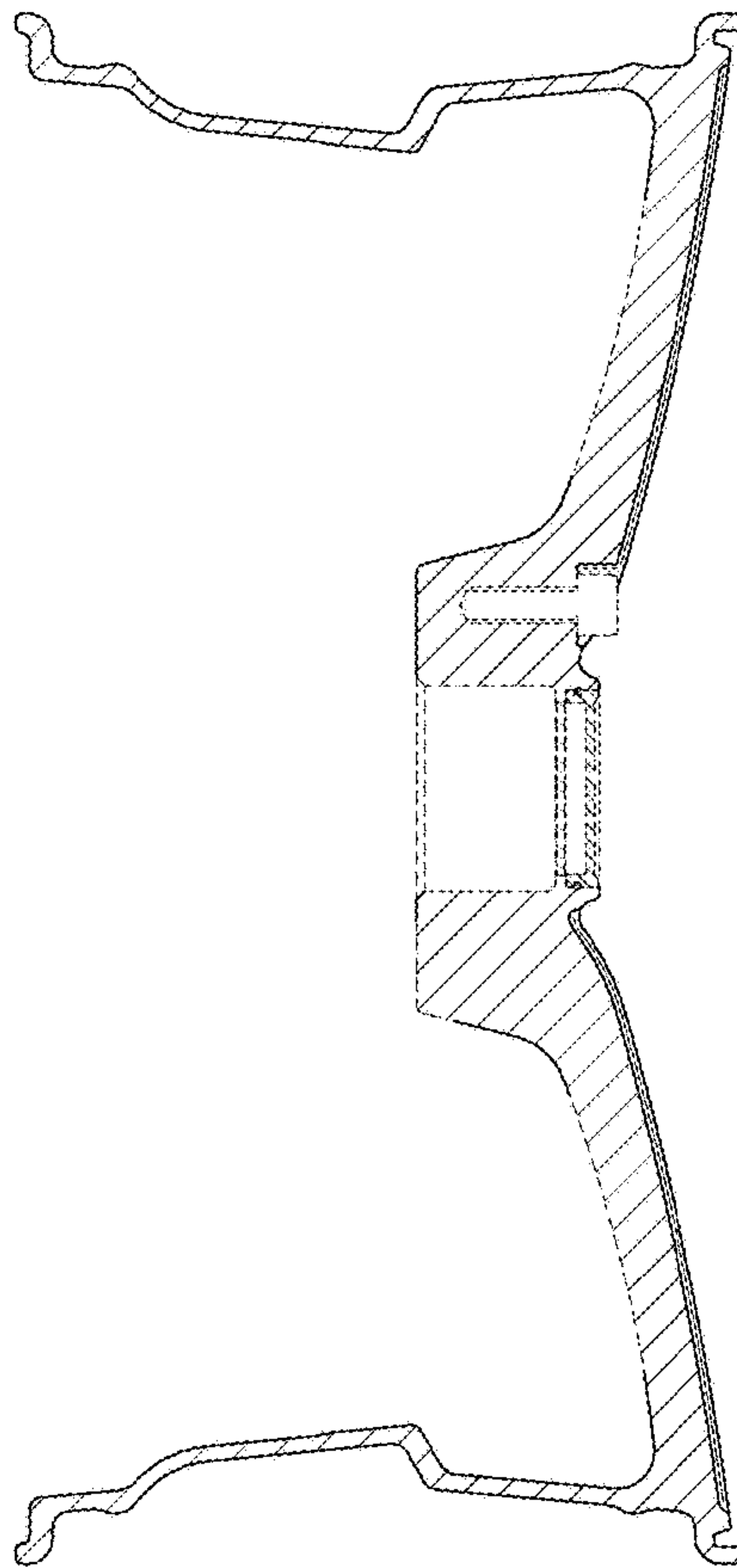


FIG. 8