



US00D860904S

(12) **United States Design Patent**  
**Milani**

(10) **Patent No.:** **US D860,904 S**

(45) **Date of Patent:** **\*\* Sep. 24, 2019**

(54) **AUTOMOBILE WHEEL**

(71) Applicant: **Elite Wheel Warehouse**, Tampa, FL  
(US)

(72) Inventor: **Hamed Milani**, Tampa, FL (US)

(\*\*) Term: **15 Years**

(21) Appl. No.: **29/638,750**

(22) Filed: **Feb. 28, 2018**

(51) **LOC (12) Cl.** ..... **12-16**

(52) **U.S. Cl.**  
USPC ..... **D12/209**

(58) **Field of Classification Search**  
USPC ..... D12/204–213  
CPC .... B60B 7/00; B60B 7/02; B60B 7/04; B60B  
7/01; B60B 7/06; B60B 3/02; B60B 3/04;  
B60B 3/06; B60B 3/10; B60B 1/00;  
B60B 1/08; B60B 1/10; B60B 1/12  
See application file for complete search history.

(56) **References Cited**

**U.S. PATENT DOCUMENTS**

D630,991 S \* 1/2011 Zhao ..... D12/211  
D686,961 S \* 7/2013 Chung ..... D12/209  
D726,621 S \* 4/2015 Alfonso ..... D12/209  
D735,630 S \* 8/2015 Swanseger ..... D12/209

D737,748 S \* 9/2015 Henstridge ..... D12/209  
D756,282 S \* 5/2016 Zhao ..... D12/209  
D792,303 S \* 7/2017 Chung ..... D12/209  
D793,320 S \* 8/2017 Factor ..... D12/209  
D800,629 S \* 10/2017 Tran ..... D12/209  
D824,316 S \* 7/2018 Tran ..... D12/209  
D825,426 S \* 8/2018 Myrberg ..... D12/209  
D826,819 S \* 8/2018 Chung ..... D12/209  
D827,537 S \* 9/2018 Owens ..... D12/209  
D830,931 S \* 10/2018 Factor ..... D12/209  
D830,934 S \* 10/2018 Zhao ..... D12/209  
D838,227 S \* 1/2019 Zhen ..... D12/209  
D841,553 S \* 2/2019 Chung ..... D12/209  
D843,302 S \* 3/2019 Khachatryan ..... D12/209  
D844,527 S \* 4/2019 Lickliter ..... D12/209

\* cited by examiner

*Primary Examiner* — Stacia A Cadmus

(74) *Attorney, Agent, or Firm* — Justin Luby

(57) **CLAIM**

The ornamental design for an automobile wheel, as shown and described.

**DESCRIPTION**

FIG. 1 is a perspective view of an automobile wheel, showing my new design; and, FIG. 2 is a front view thereof.

In the drawings the broken lines depict environmental subject matter and form no part of the claimed design.

**1 Claim, 2 Drawing Sheets**

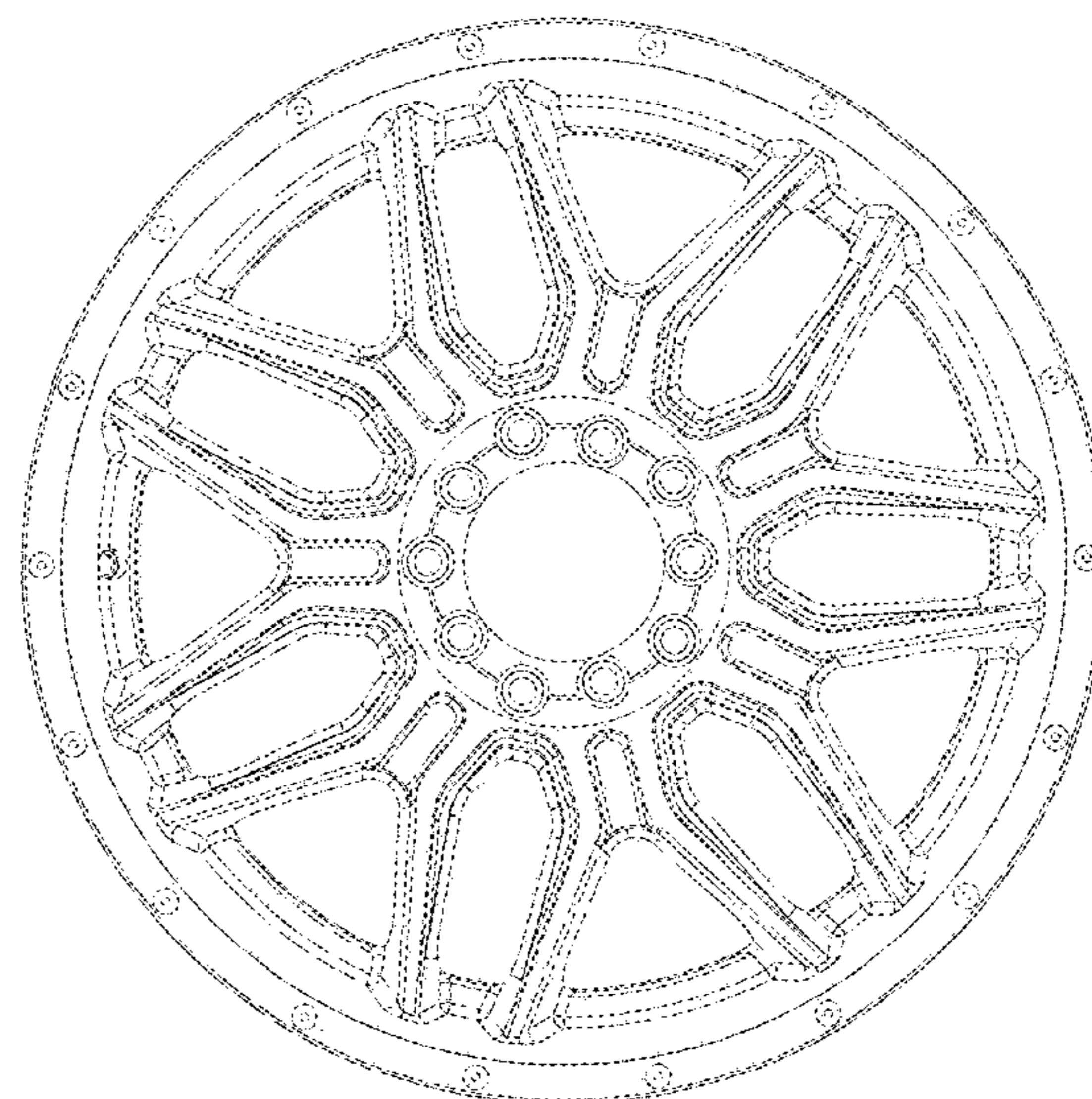
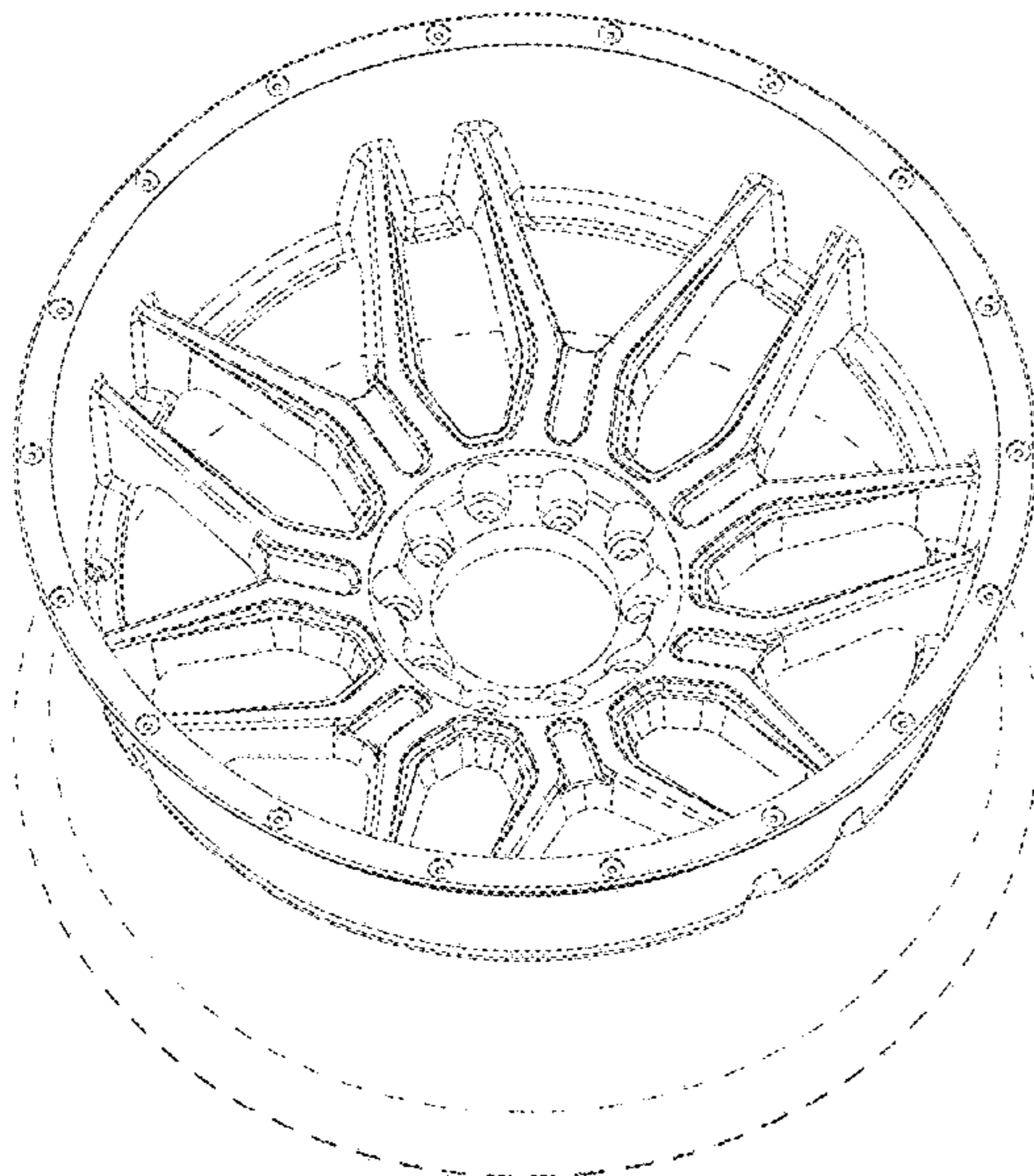


FIG.1

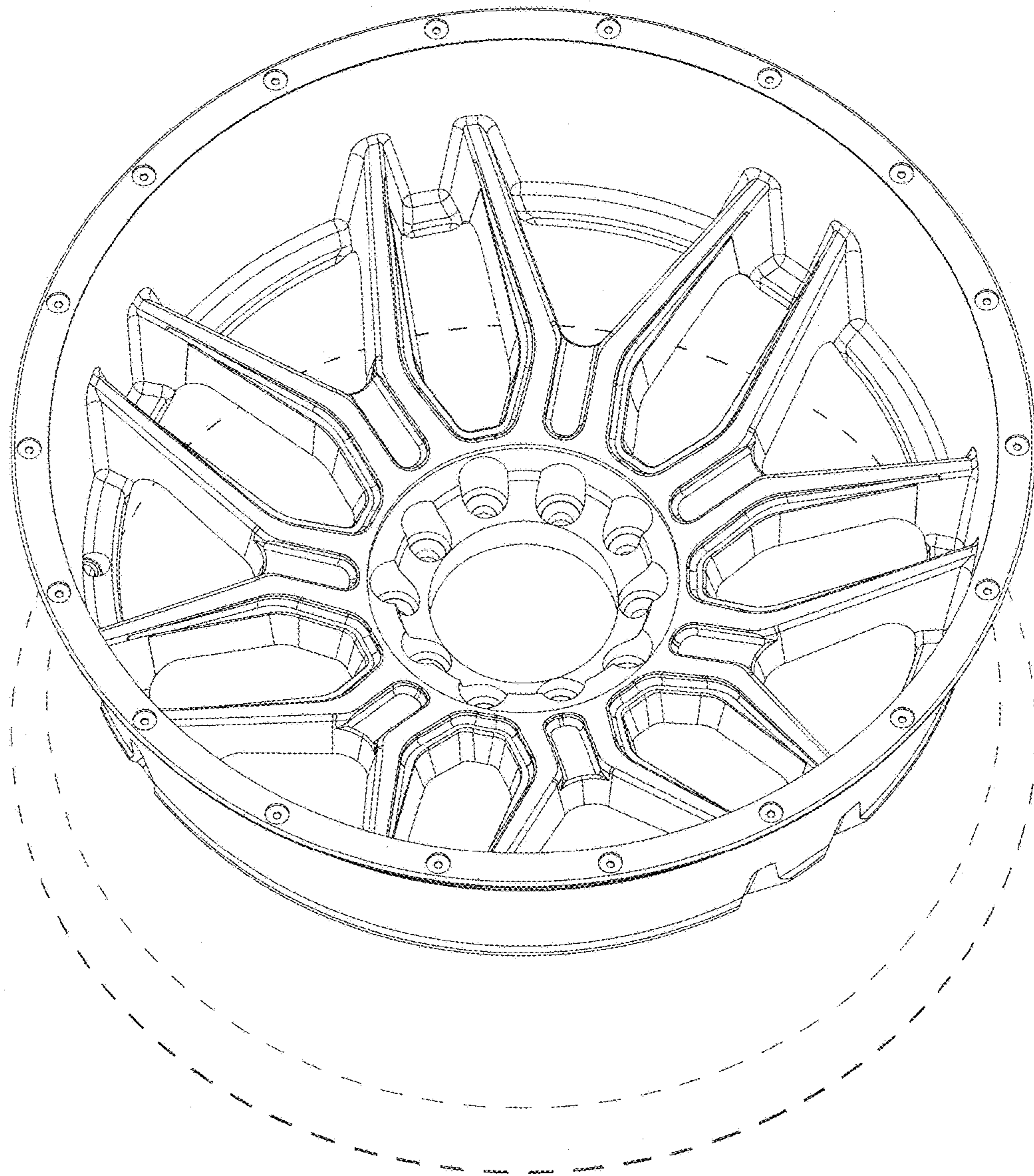




FIG.2

