

US00D860903S

(12) **United States Design Patent**
Lu

(10) **Patent No.:** **US D860,903 S**
(45) **Date of Patent:** **** Sep. 24, 2019**

(54) **VEHICLE WHEEL RIM**

(71) Applicant: **Kuo-wei Lu**, Los Angeles, CA (US)

(72) Inventor: **Kuo-wei Lu**, Los Angeles, CA (US)

(**) Term: **15 Years**

(21) Appl. No.: **29/636,244**

(22) Filed: **Feb. 7, 2018**

(51) **LOC (12) Cl.** **12-16**

(52) **U.S. Cl.**
USPC **D12/209**

(58) **Field of Classification Search**
USPC D12/204–213
CPC B60B 7/00; B60B 7/02; B60B 7/04; B60B 7/01; B60B 7/06; B60B 3/02; B60B 3/04; B60B 3/06; B60B 3/10; B60B 1/00; B60B 1/08; B60B 1/10; B60B 1/12
See application file for complete search history.

(56) **References Cited**

U.S. PATENT DOCUMENTS

D474,440 S	*	5/2003	Oh	D12/211
D480,036 S	*	9/2003	Laengerer	D12/211
D506,172 S	*	6/2005	Pfeiffer	D12/211
D516,990 S	*	3/2006	Schweizer	D12/211
D604,685 S	*	11/2009	Zhou	D12/211
D614,112 S	*	4/2010	Tant	D12/211
D689,004 S	*	9/2013	Jallad	D12/211
D695,197 S	*	12/2013	Jallad	D12/211
D704,617 S	*	5/2014	Chung	D12/211

D709,019 S	*	7/2014	Hale, Jr.	D12/211
D717,710 S	*	11/2014	Chung	D12/211
D748,035 S	*	1/2016	Wagener	D12/211
D763,772 S	*	8/2016	Chung	D12/211
D765,004 S	*	8/2016	Holstein	D12/211
D765,005 S	*	8/2016	Garbas	D12/211
D787,407 S	*	5/2017	Chung	D12/211
D793,942 S	*	8/2017	Factor	D12/211
D795,153 S	*	8/2017	Peat	D12/211
D805,993 S	*	12/2017	Sempek	D12/211
D818,412 S	*	5/2018	Oldham	D12/211
D845,859 S	*	4/2019	Hale, Jr.	D12/209
D845,868 S	*	4/2019	Hale, Jr.	D12/213

* cited by examiner

Primary Examiner — Stacia A Cadmus

(74) *Attorney, Agent, or Firm* — Jen-Feng Lee, Esq.

(57) **CLAIM**

I claim the ornamental design for a vehicle wheel rim, as shown and described.

DESCRIPTION

FIG. 1 shows the perspective view of the front and right side of a vehicle wheel rim showing my new design, FIG. 2 shows the perspective view of the rear and left side thereof,

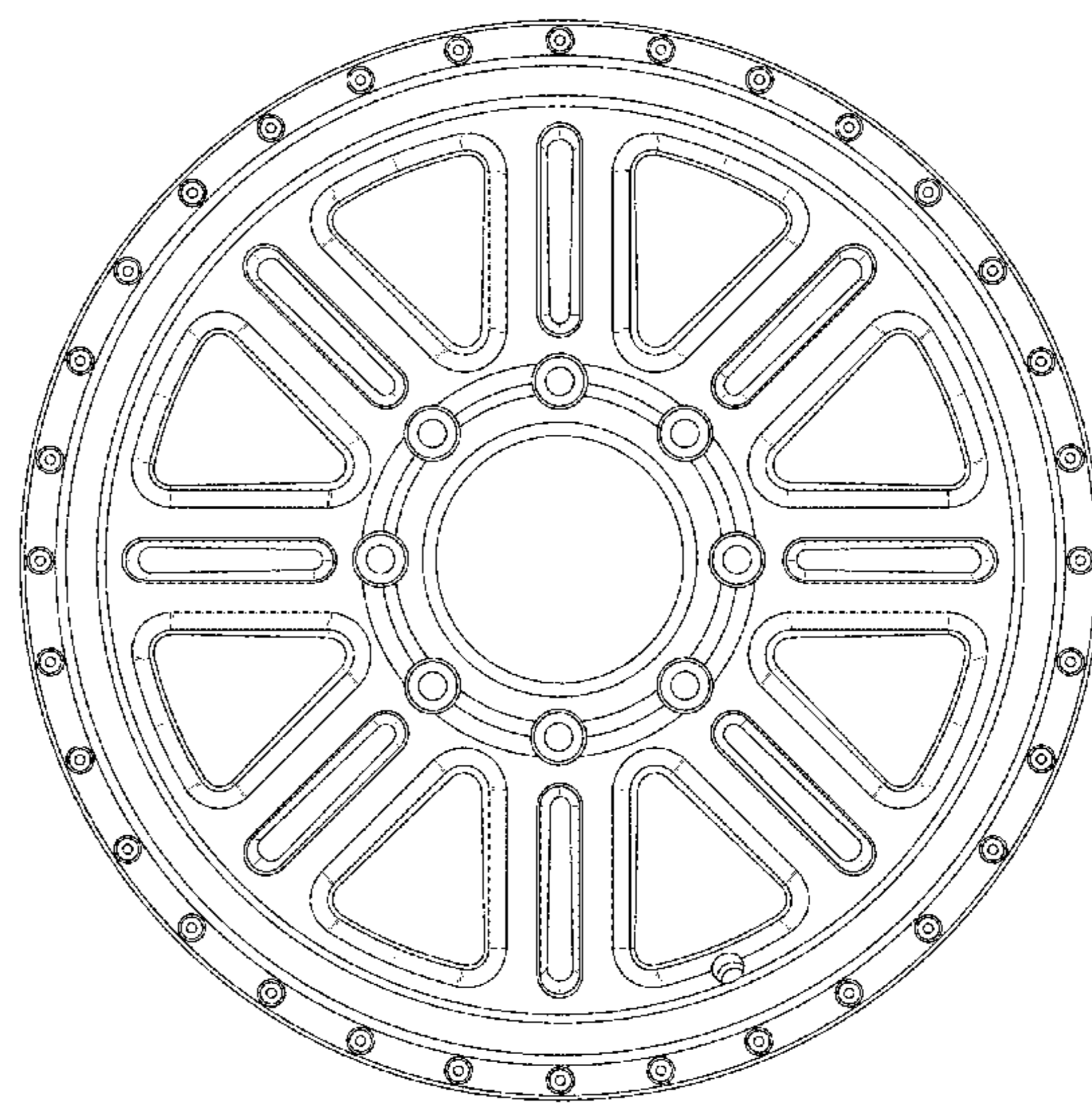
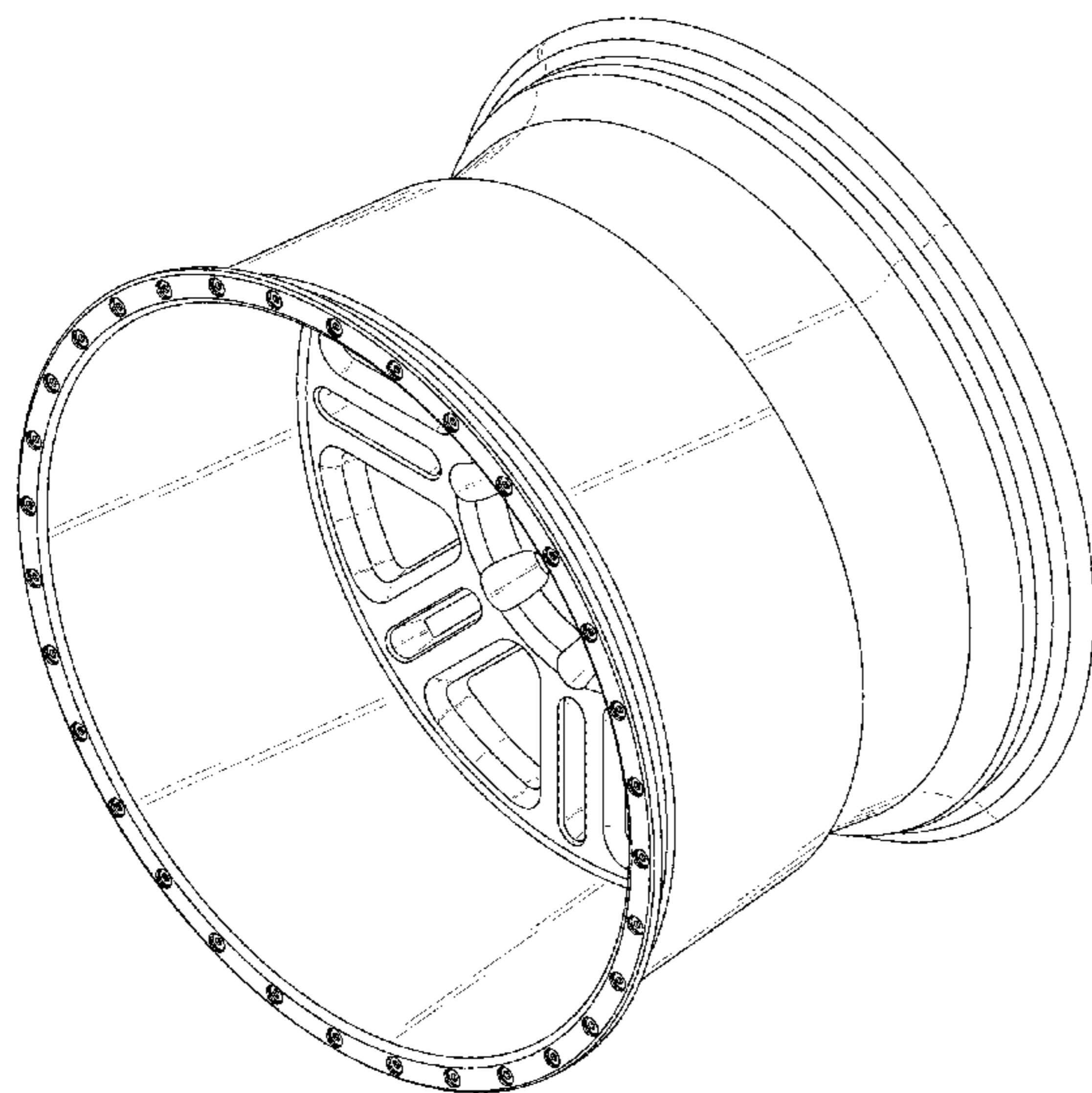
FIG. 3 shows the front view thereof,

FIG. 4 shows the rear side view thereof.

FIG. 5 shows the left side view thereof, the right side view being a mirror image; and,

FIG. 6 shows the top view thereof, the bottom view being a mirror image.

1 Claim, 6 Drawing Sheets



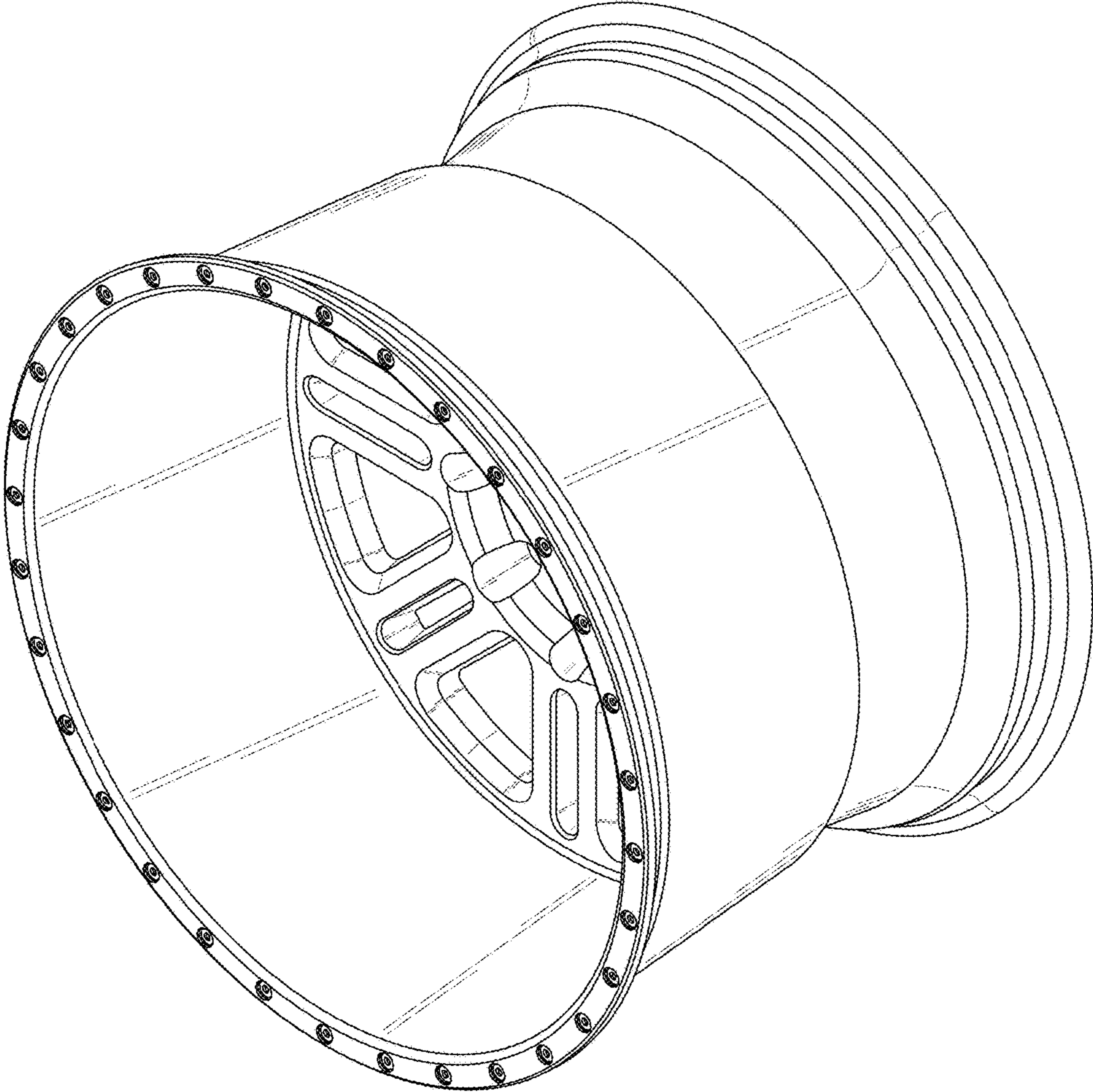


FIG. 1

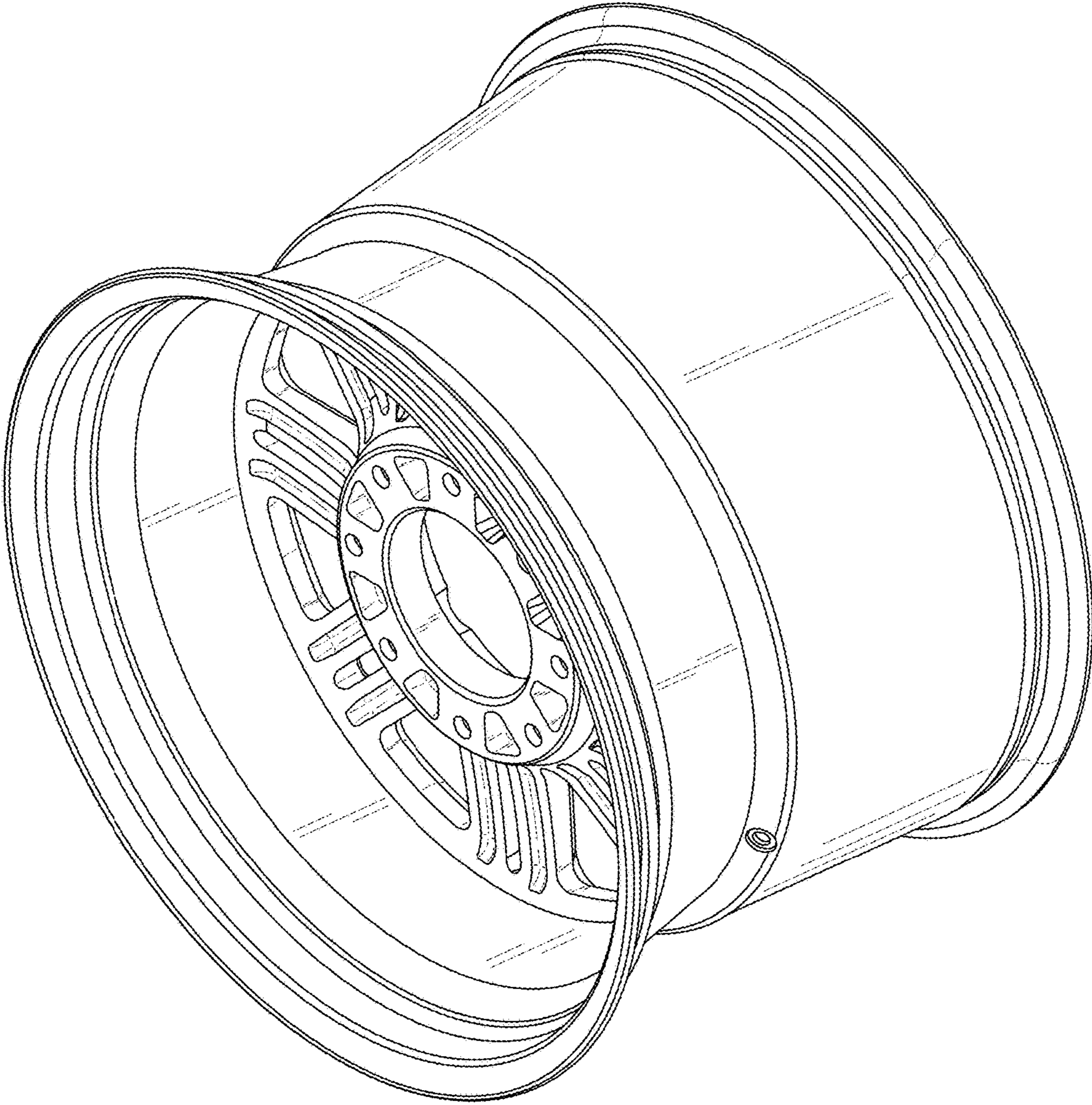


FIG. 2

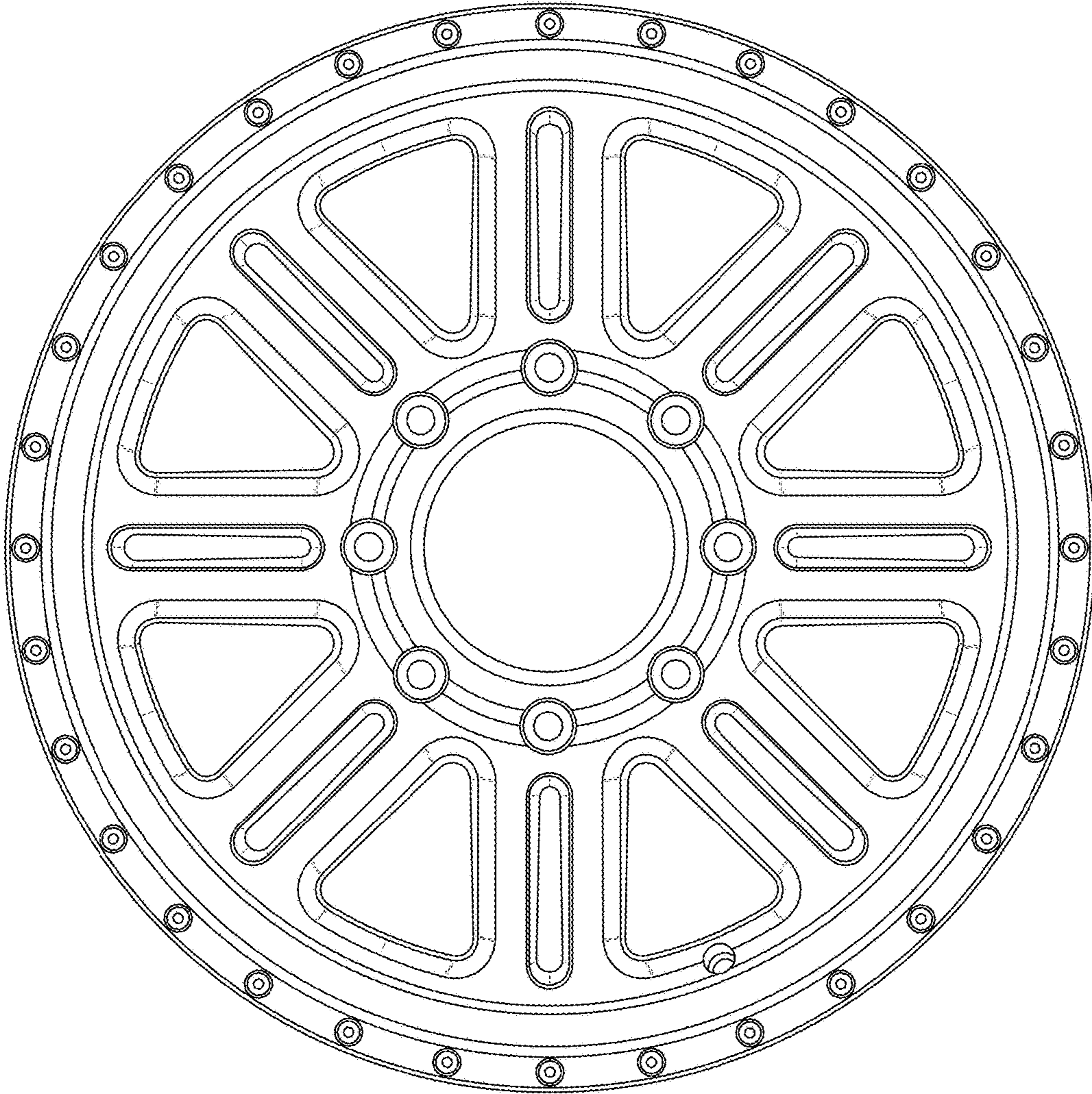


FIG. 3

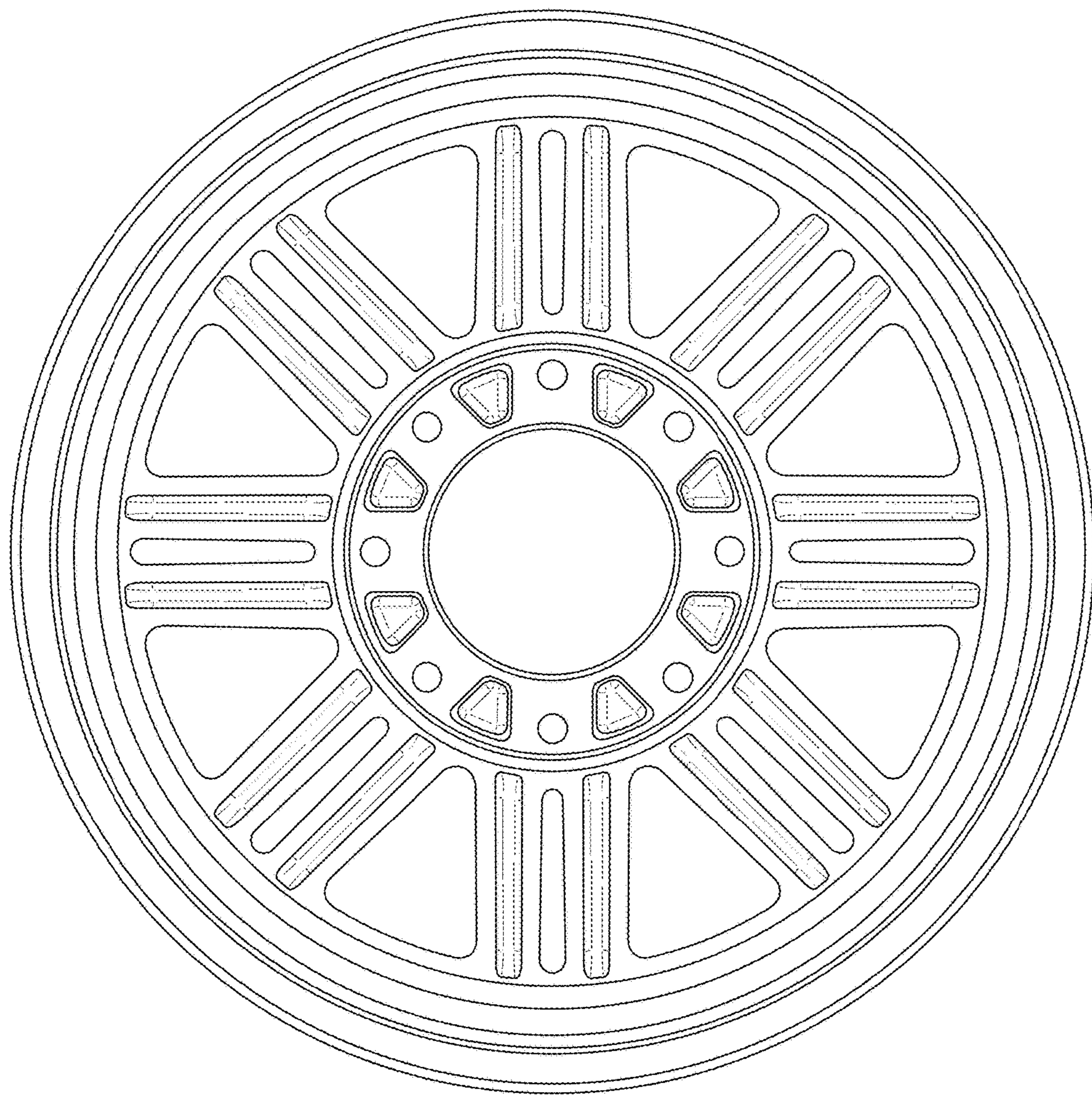


FIG. 4

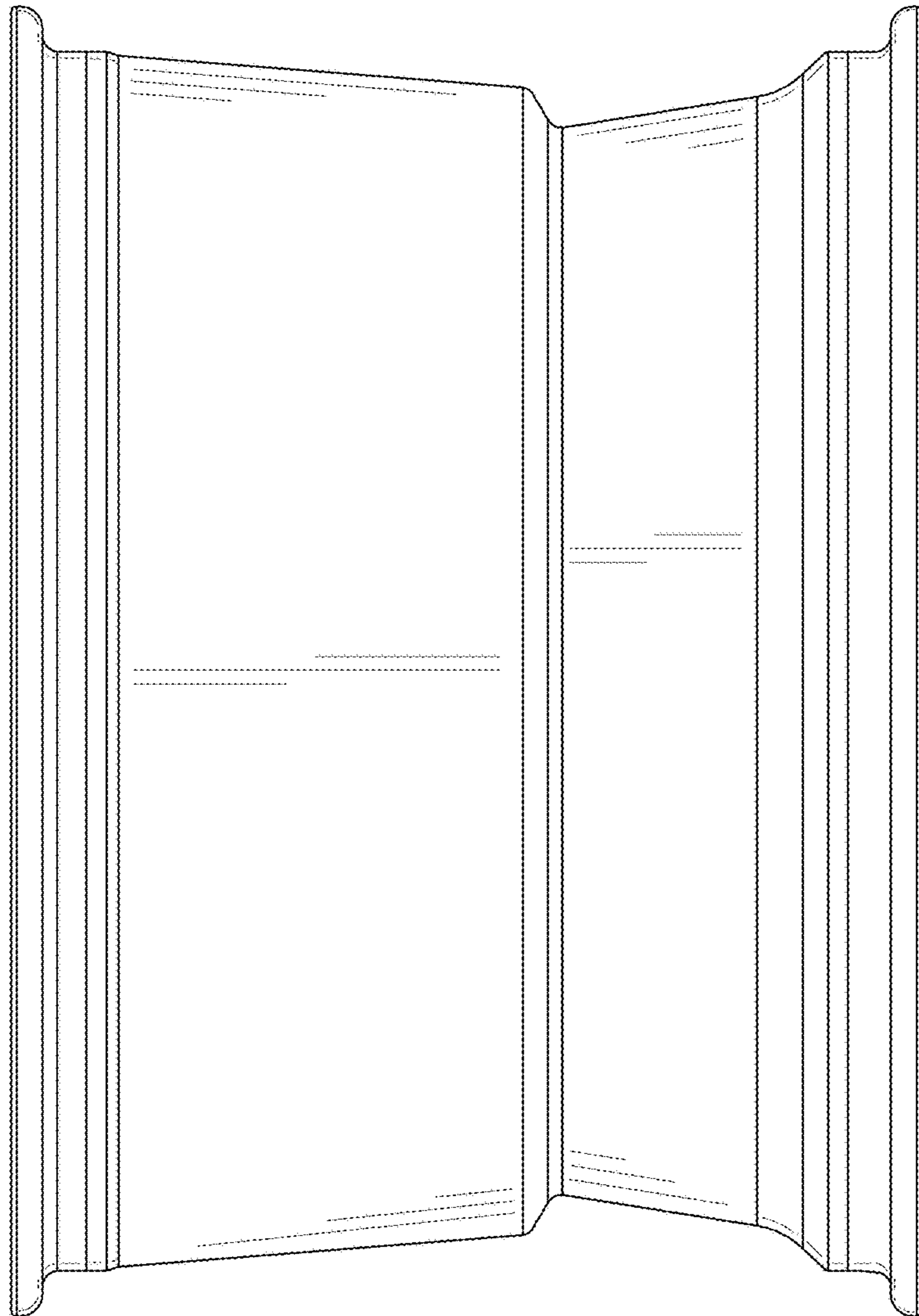


FIG. 5

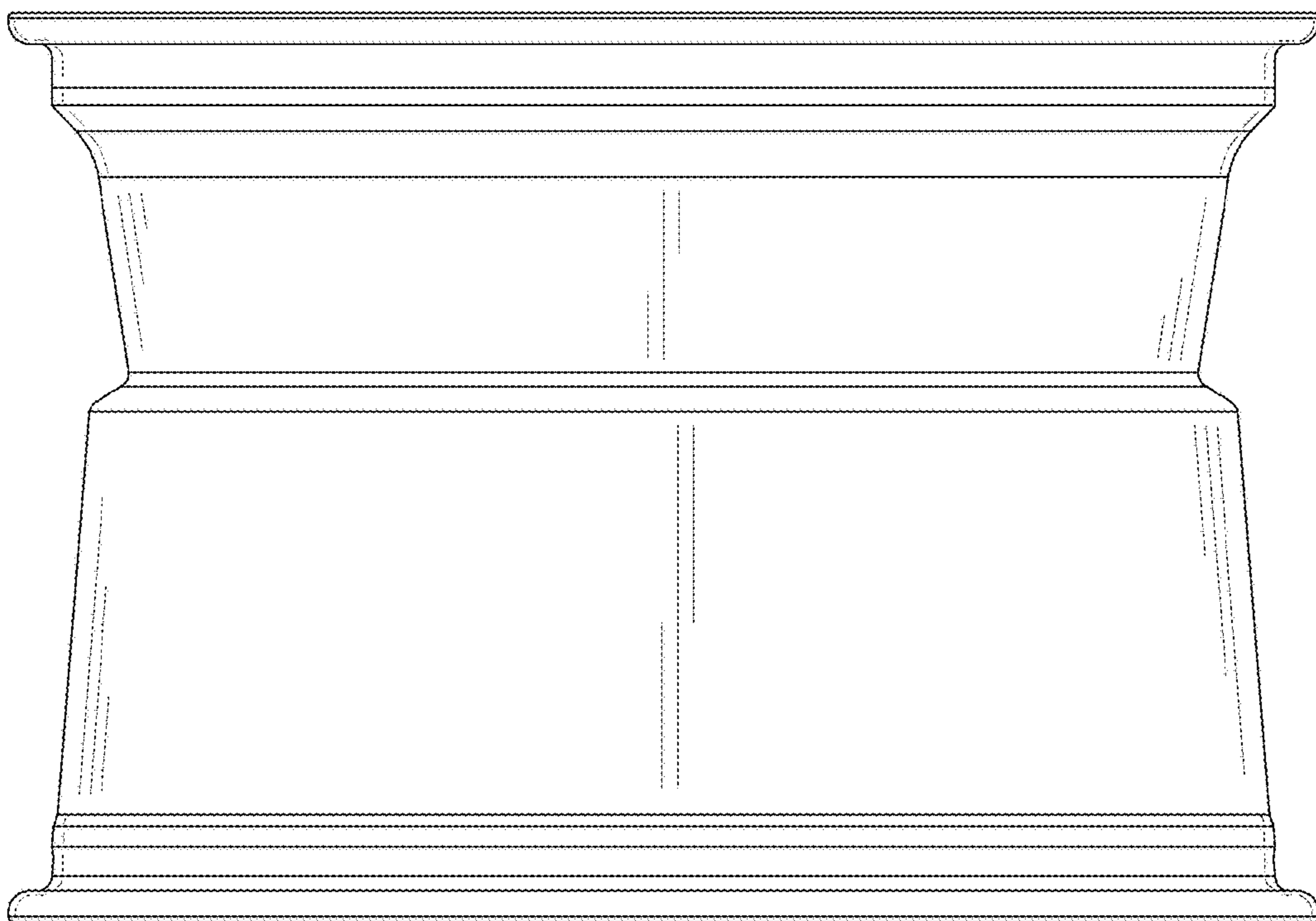


FIG. 6