



US00D860902S

(12) **United States Design Patent** (10) **Patent No.:** **US D860,902 S**
Yeh (45) **Date of Patent:** **** Sep. 24, 2019**

(54) **WHEEL FRONT FACE**
(71) Applicant: **Bruce Yeh**, Chino Hills, CA (US)
(72) Inventor: **Bruce Yeh**, Chino Hills, CA (US)
(73) Assignee: **WHEEL GROUP HOLDING, LLC**,
Ontario, CA (US)
(**) Term: **15 Years**
(21) Appl. No.: **29/628,014**
(22) Filed: **Nov. 30, 2017**
(51) **LOC (12) Cl.** **12-16**
(52) **U.S. Cl.**
USPC **D12/209**
(58) **Field of Classification Search**
USPC D12/204, 209-211; D21/563
CPC B60B 7/00; B60B 7/02; B60B 7/04; B60B
7/07; B60B 3/02; B60B 3/04; B60B 3/06;
B60B 3/10
See application file for complete search history.

(56) **References Cited**

U.S. PATENT DOCUMENTS

D285,916 S *	9/1986	Walter	D12/211
D395,270 S *	6/1998	Baumgartner	D12/211
D398,898 S *	9/1998	Baumgartner	D12/211
D430,526 S *	9/2000	Fitzgerald	D12/211
D438,163 S *	2/2001	Langerer	D12/211
D528,063 S *	9/2006	Schell	D12/211
D558,114 S *	12/2007	Pollmann	D12/209
D581,853 S *	12/2008	Rak	D12/211
D593,018 S *	5/2009	Juergens	D12/209
D622,199 S *	8/2010	Gallert	D12/211
D626,052 S *	10/2010	Majdandzic	D12/209
D671,477 S *	11/2012	Juergens	D12/209
D684,517 S *	6/2013	Scheinutte	D12/211
D686,961 S *	7/2013	Chung	D12/209

D688,186 S *	8/2013	McMath	D12/209
D695,666 S *	12/2013	Chung	D12/209
D697,006 S *	1/2014	Schneider	D12/209
D734,234 S *	7/2015	Juergens	D12/209
D735,630 S *	8/2015	Swanseger	D12/209
D747,251 S *	1/2016	Hammoud	D12/209
D750,543 S *	3/2016	Behmer	D12/209
D751,482 S *	3/2016	Caswell	D12/209
D753,043 S *	4/2016	Pollmann	D12/209
D757,624 S *	5/2016	Hammoud	D12/209
D757,627 S *	5/2016	Chung	D12/211
D761,181 S *	7/2016	Bucher	D12/209
D763,761 S *	8/2016	Dionisopoulos	D12/209
D763,764 S *	8/2016	Dunford	D12/209
D778,223 S *	2/2017	Chu	D12/211
D780,654 S *	3/2017	Gallert	D12/204
D780,663 S *	3/2017	Perini	D12/211
D781,766 S *	3/2017	Galante	D12/209
D782,383 S *	3/2017	Owens	D12/209
D784,233 S *	4/2017	Hejtmanek	D12/209
D784,234 S *	4/2017	Houghton	D12/209
D787,413 S *	5/2017	Alfonso	D12/211
D791,036 S *	7/2017	Owens	D12/209

(Continued)

Primary Examiner — Sheryl Lane

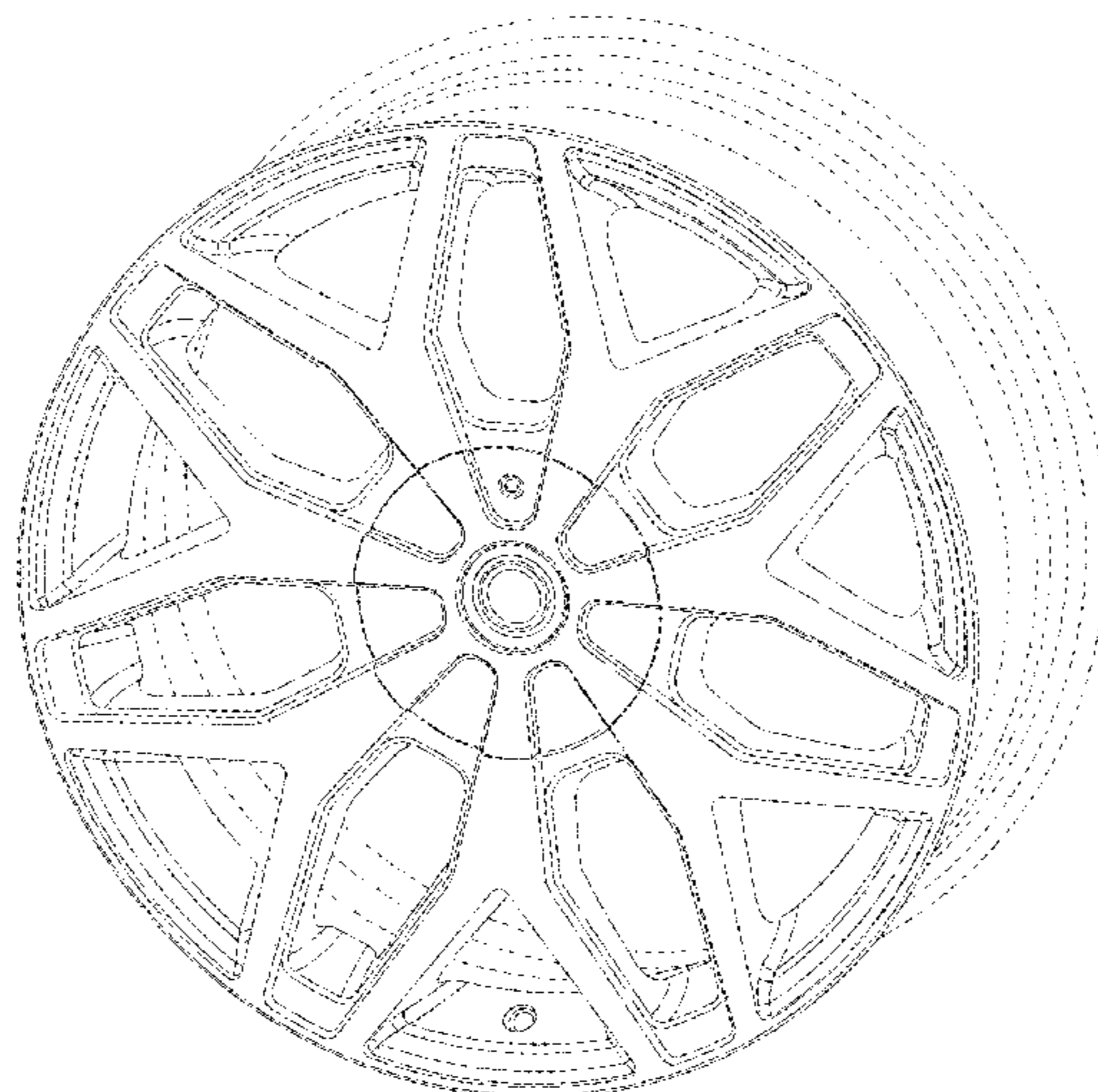
(57) **CLAIM**

The ornamental design for a wheel front face, as shown and described.

DESCRIPTION

FIG. 1 is a perspective view of a wheel front face in accordance with the present invention. FIG. 2 is a front view of the wheel front face of FIG. 1; and, FIG. 3 is a side view of the wheel front face of FIG. 1. The surface shading is included for the purpose of showing the contours of the claimed design. The broken lines showing the rear of the wheel and rim represent portions of the wheel, and form no part of the claimed design.

1 Claim, 3 Drawing Sheets



(56)

References Cited

U.S. PATENT DOCUMENTS

D792,827 S *	7/2017	Chung	D12/209
D794,526 S *	8/2017	Patel	D12/209
D803,135 S *	11/2017	Bucher	D12/209
D817,246 S *	5/2018	Andoh	D12/209
D817,846 S *	5/2018	Stone	D12/209
D820,184 S *	6/2018	Bucher	D12/209
D822,572 S *	7/2018	Smith	D12/209
D824,317 S *	7/2018	Harriton	D12/211
D825,425 S *	8/2018	Brundle	D12/209
D826,819 S *	8/2018	Chung	D12/209
D827,540 S *	9/2018	Hilton	D12/209
D827,544 S *	9/2018	Platto	D12/209

* cited by examiner

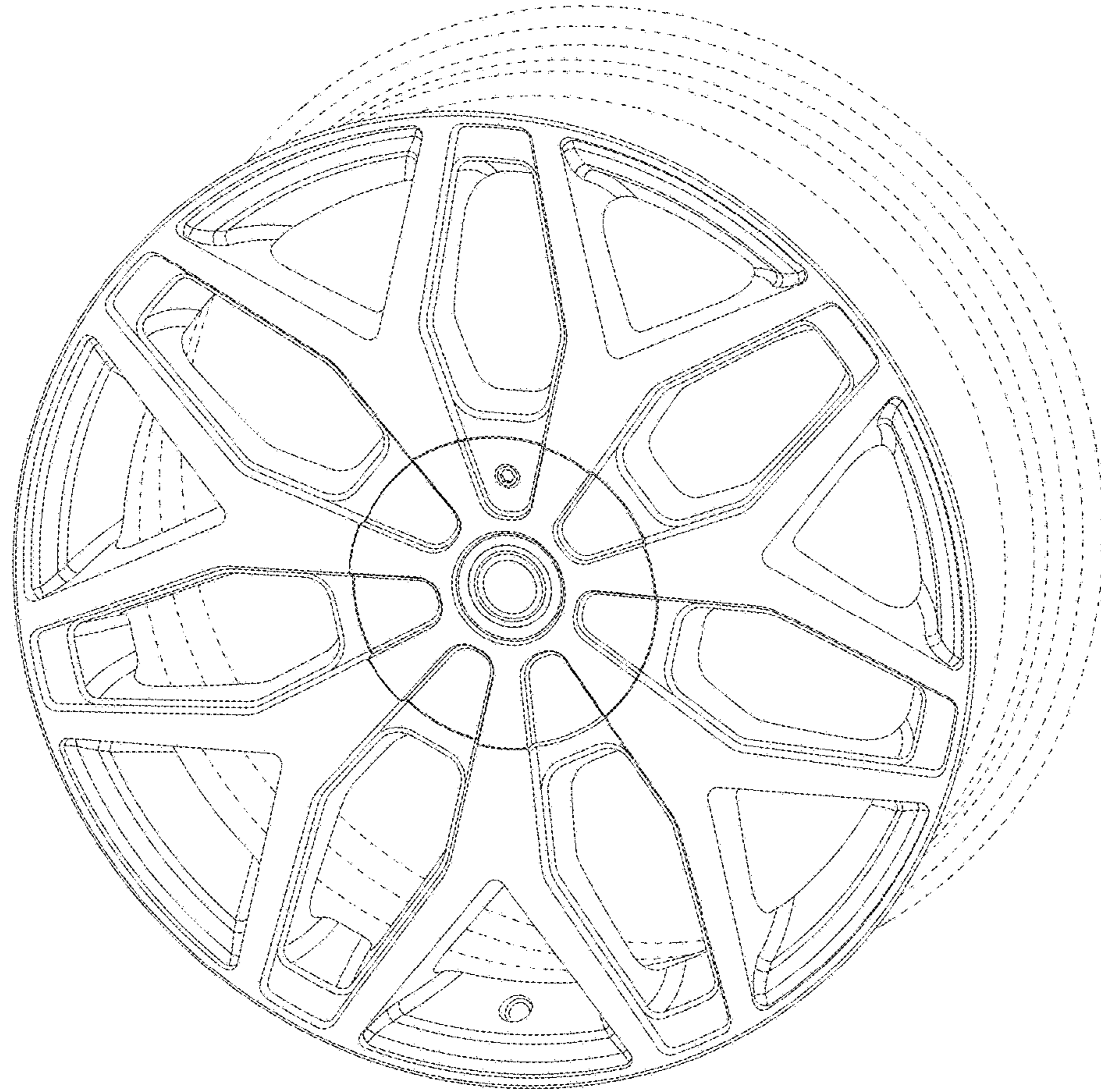


FIG.1

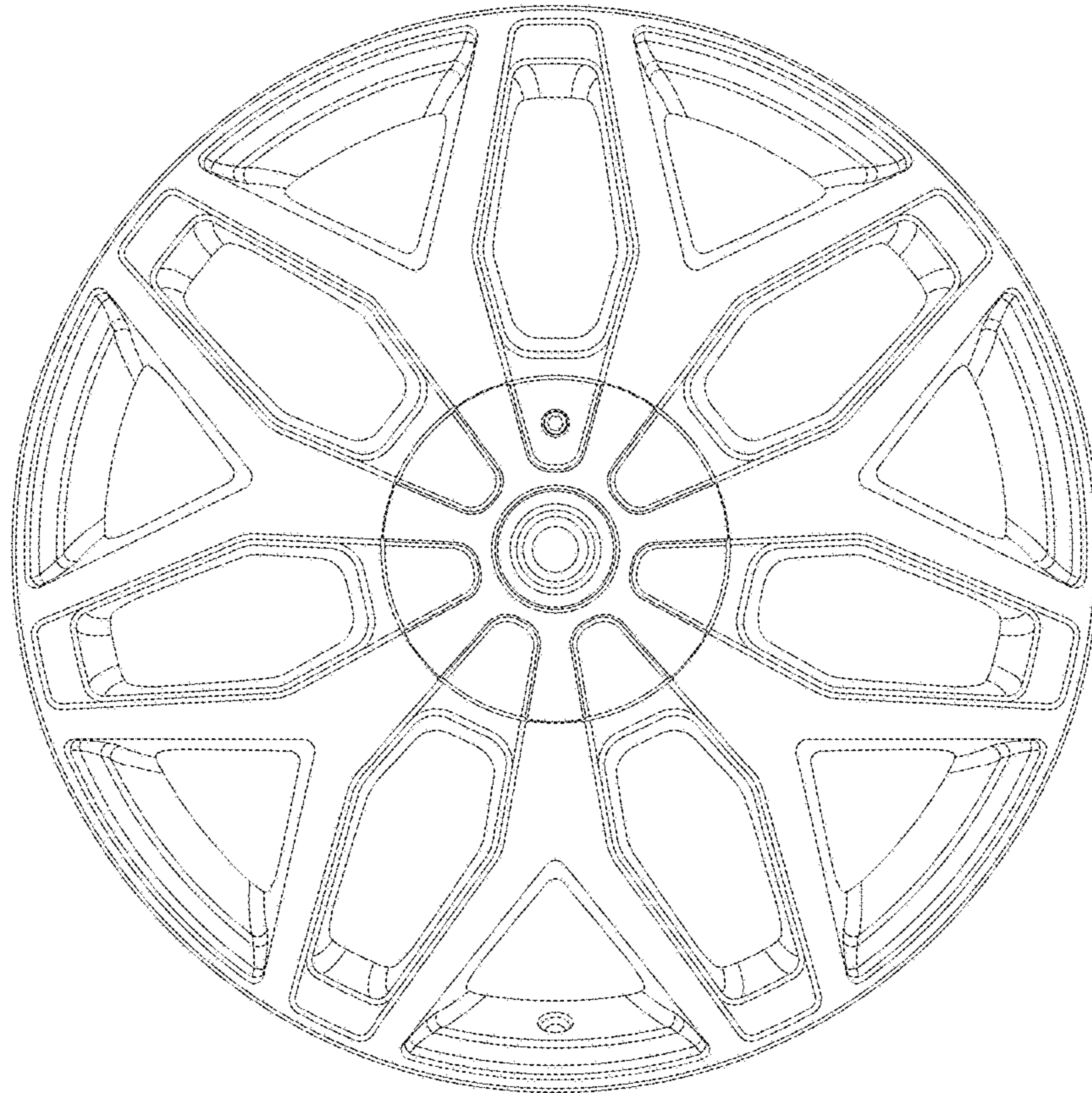


FIG. 2

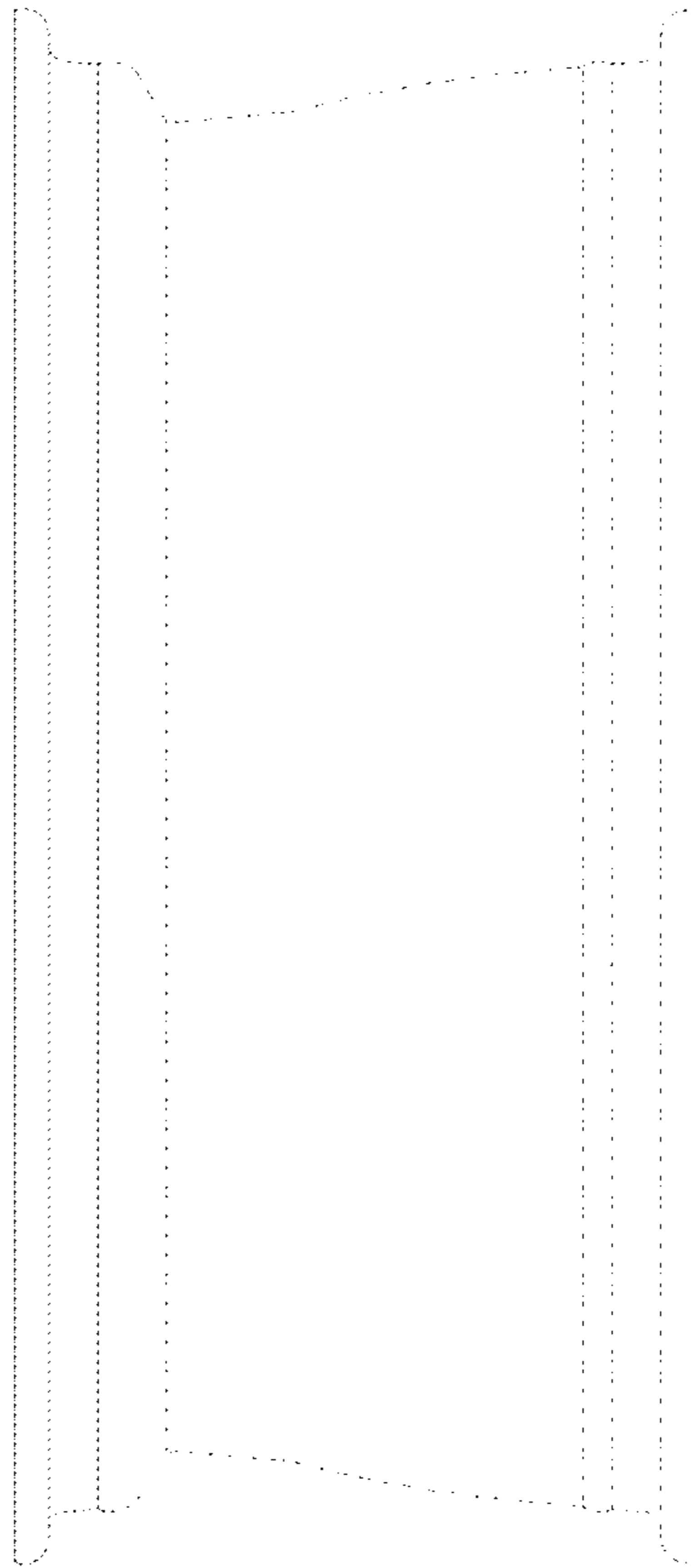


FIG.3