



US00D860896S

(12) **United States Design Patent**  
**Rolfs et al.**

(10) **Patent No.:** **US D860,896 S**

(45) **Date of Patent:** **\*\* Sep. 24, 2019**

(54) **ROCK RAILS**

(71) Applicants: **Jeremy Rolfs**, Sylvan Lake, MI (US);  
**Nicholas Vardis**, Sylvan Lake, MI (US)

(72) Inventors: **Jeremy Rolfs**, Sylvan Lake, MI (US);  
**Nicholas Vardis**, Sylvan Lake, MI (US)

(73) Assignee: **FCA US LLC**, Auburn Hills, MI (US)

(\*\*) Term: **15 Years**

(21) Appl. No.: **29/656,379**

(22) Filed: **Jul. 12, 2018**

(51) **LOC (12) Cl.** ..... **12-16**

(52) **U.S. Cl.**  
USPC ..... **D12/203**

(58) **Field of Classification Search**  
USPC ..... D12/203, 89, 98, 314, 162, 190, 196,  
D12/400, 414  
CPC .. B60R 3/002; B60R 3/02; B60R 3/00; B60R  
3/005; B60R 3/007  
See application file for complete search history.

(56) **References Cited**

U.S. PATENT DOCUMENTS

D349,678 S *	8/1994	Waddington	.....	D12/203
D470,598 S *	2/2003	Schneider	.....	D25/126
D484,080 S *	12/2003	Yamamoto	.....	D12/190
D511,731 S *	11/2005	Lariviere	.....	D12/196
D513,398 S *	1/2006	Kozak	.....	D12/203
D513,725 S *	1/2006	Metros	.....	D12/203
D559,755 S *	1/2008	Ito	.....	D12/203
D584,868 S *	1/2009	Higareda	.....	D32/35
D596,097 S *	7/2009	Huang-Tsai	.....	D12/203

D596,098 S *	7/2009	Huang-Tsai	.....	D12/203
D618,148 S *	6/2010	Hoppert	.....	D12/203
D632,627 S *	2/2011	Huang-Tsai	.....	D12/203
D704,606 S *	5/2014	Kirtland	.....	D12/172
D756,592 S *	5/2016	Bucks	.....	D1/125
D767,976 S *	10/2016	Marocco	.....	D8/363
D768,556 S *	10/2016	McFadden	.....	D12/414
D807,274 S *	1/2018	DeGiule	.....	D12/400
D813,135 S *	3/2018	Baeza	.....	D12/203
D817,839 S *	5/2018	Rolfs	.....	D12/203
D833,940 S *	11/2018	DiCanzio	.....	D12/203
D833,957 S *	11/2018	DiCanzio	.....	D12/414

\* cited by examiner

*Primary Examiner* — Michelle E. Wilson

*Assistant Examiner* — Clese Moore, Jr.

(74) *Attorney, Agent, or Firm* — Ralph E. Smith

(57) **CLAIM**

The ornamental design for rock rails, as shown and described.

**DESCRIPTION**

FIG. 1 is a front perspective view of rock rails showing our new design;

FIG. 2 is a rear perspective view thereof;

FIG. 3 is a driver side view thereof;

FIG. 4 is a passenger side view thereof;

FIG. 5 is a back view thereof;

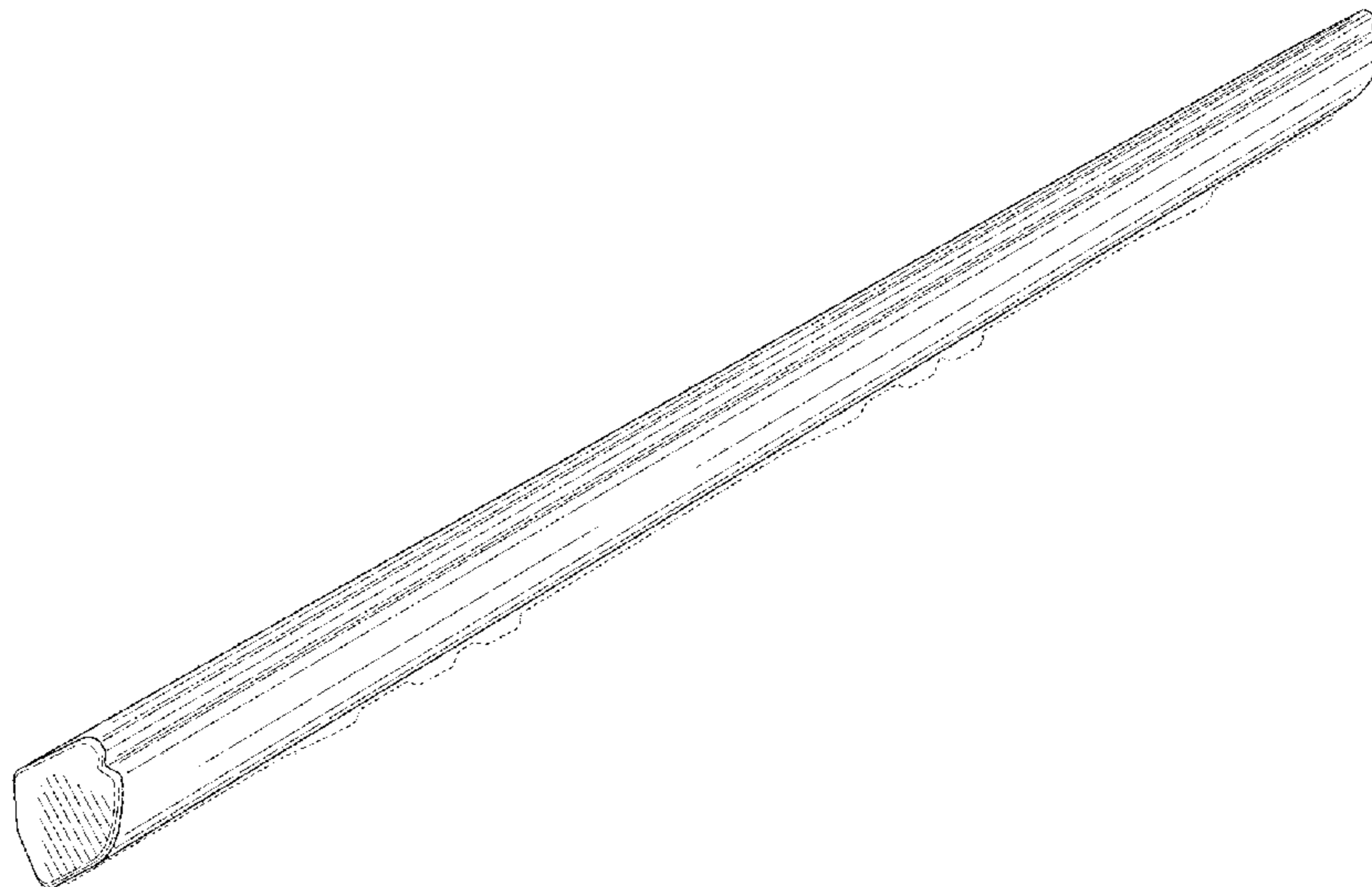
FIG. 6 is a front view thereof;

FIG. 7 is top view thereof; and,

FIG. 8 is a bottom view.

It will be understood that the broken lines shown in the drawings illustrate portions of the rock rails that form no part of claimed design.

**1 Claim, 5 Drawing Sheets**



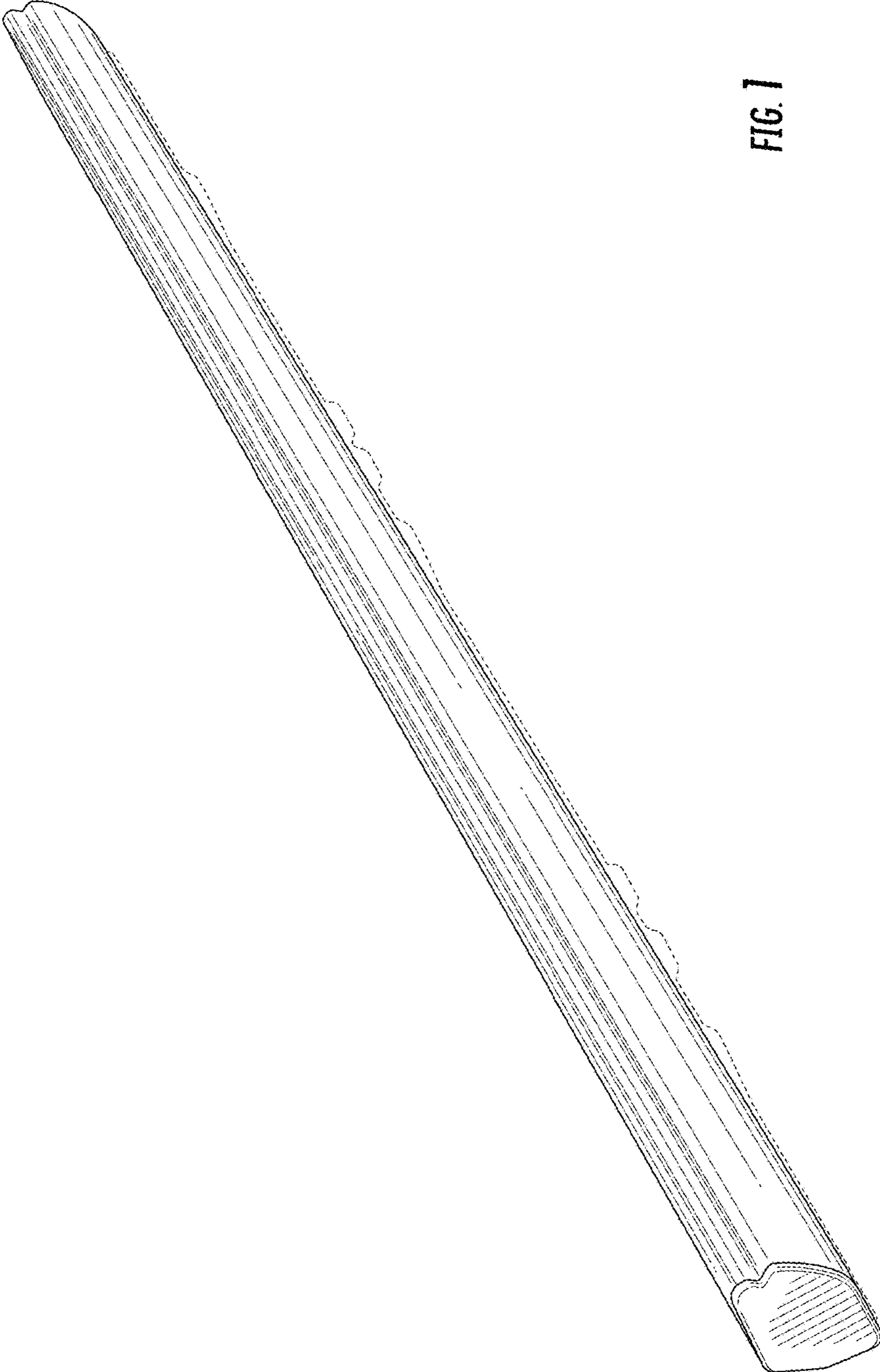


FIG. 1

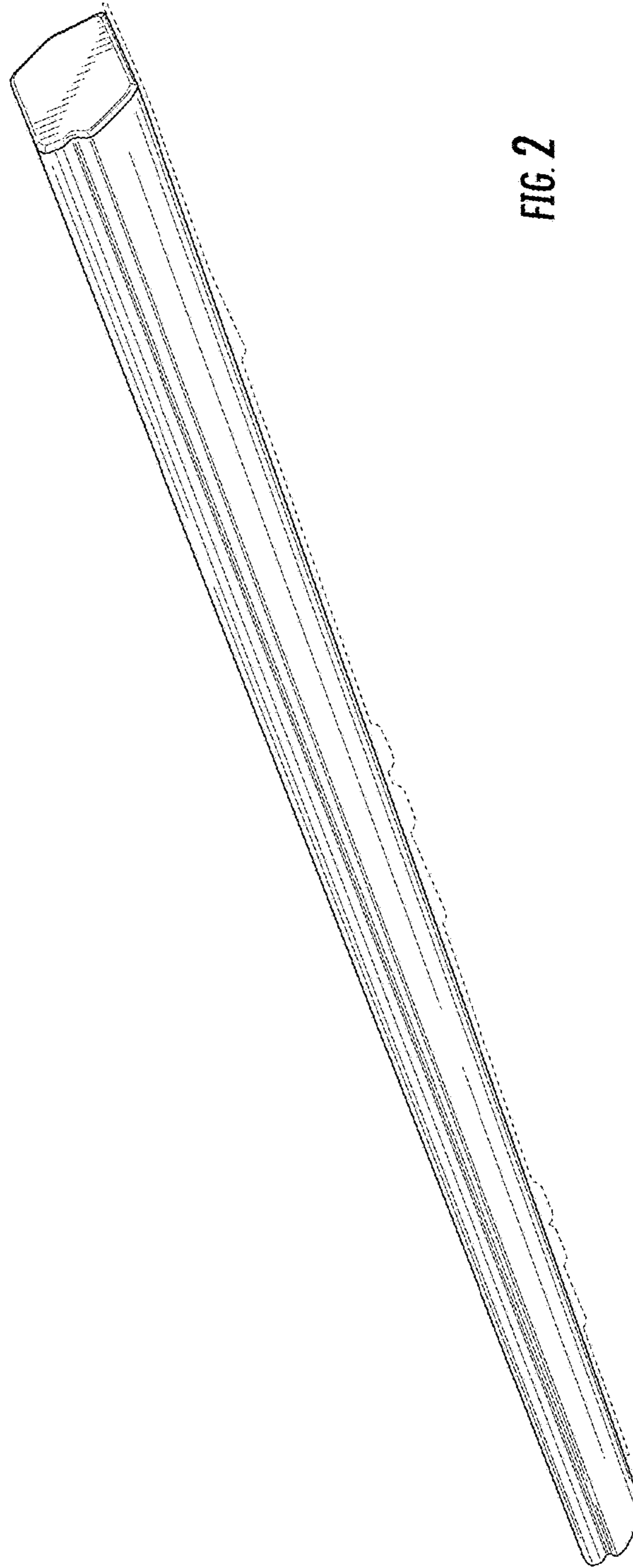


FIG. 2

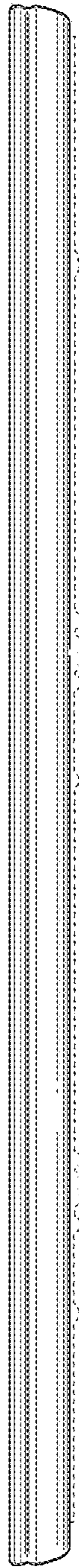


FIG. 3

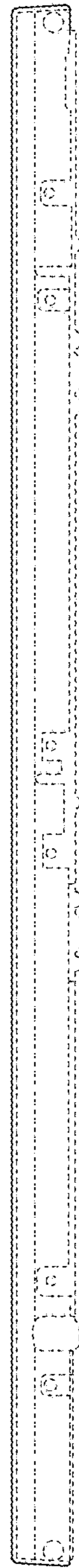


FIG. 4

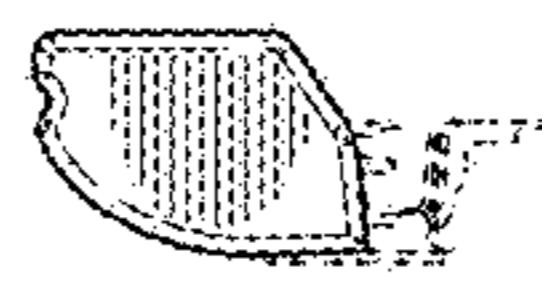


FIG. 5



FIG. 6



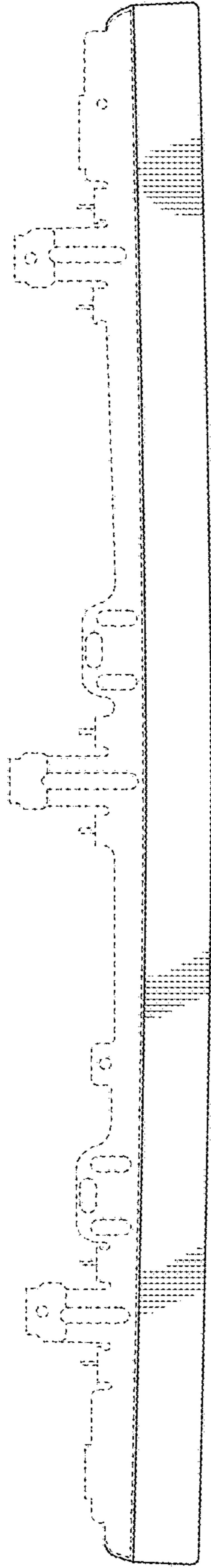


FIG. 7

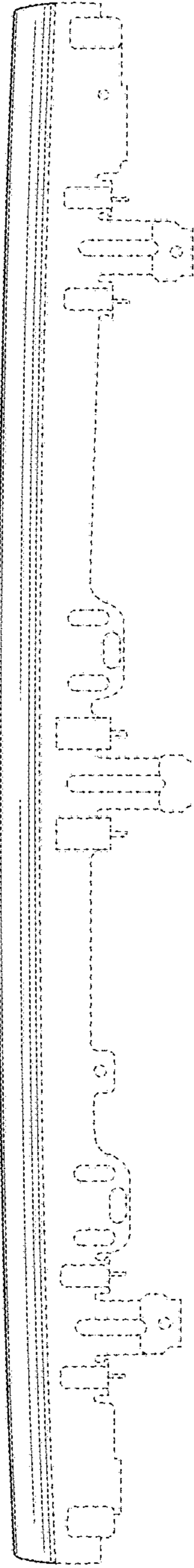


FIG. 8