



US00D860891S

(12) **United States Design Patent**
Paranjothi

(10) **Patent No.:** **US D860,891 S**

(45) **Date of Patent:** **** Sep. 24, 2019**

(54) **SLACK ADJUSTER**

(71) Applicant: **WABCO India Limited**, Chennai (IN)

(72) Inventor: **Rajasekar Paranjothi**, Pollachi (IN)

(73) Assignee: **WABCO India Limited**, Chennai (IN)

(**) Term: **15 Years**

(21) Appl. No.: **29/623,270**

(22) Filed: **Oct. 24, 2017**

(30) **Foreign Application Priority Data**

Jun. 10, 2017 (IN) 294574

(51) **LOC (12) Cl.** **12-16**

(52) **U.S. Cl.**
USPC **D12/180**

(58) **Field of Classification Search**
USPC D12/180
CPC F16D 66/02; F16D 65/60
See application file for complete search history.

(56) **References Cited**

U.S. PATENT DOCUMENTS

- 3,008,344 A * 11/1961 Dracka F16D 65/50
74/522
- 4,798,265 A * 1/1989 Gibas B60T 17/221
184/105.1
- 4,880,085 A * 11/1989 Taylor F16D 65/22
188/79.55
- 4,895,226 A * 1/1990 Berg F16D 65/60
188/79.51
- 5,052,527 A * 10/1991 Stump F16D 65/50
188/196 M
- 5,069,315 A * 12/1991 VanWeelden F16D 65/42
188/382
- 5,253,735 A * 10/1993 Larson B60T 17/22
188/1.11 L

- 5,327,999 A * 7/1994 Nelander F16D 65/60
188/196 BA
- 5,535,854 A * 7/1996 Prince F16D 65/60
188/1.11 R
- 5,689,231 A * 11/1997 Olson B60Q 1/441
116/208
- 6,390,244 B1 * 5/2002 Sitter F16D 66/00
188/1.11 W
- 8,302,744 B2 * 11/2012 Louis F16D 65/60
188/196 B
- 9,097,305 B2 * 8/2015 Onnestam F16D 65/60
- D770,343 S * 11/2016 Hult D12/180
- D770,344 S * 11/2016 Hult D12/180
- D770,345 S * 11/2016 Hult D12/180
- D770,346 S * 11/2016 Hult D12/180
- 10,197,123 B2 * 2/2019 Drake F16D 65/60
- 2005/0211506 A1 * 9/2005 Painchaud F16D 65/28
184/104.1
- 2005/0274578 A1 * 12/2005 Chadha F16D 65/60
188/71.9
- 2008/0000732 A1 * 1/2008 Chen F16D 49/16
188/74

(Continued)

Primary Examiner — Kevin K Rudzinski
(74) *Attorney, Agent, or Firm* — Brinks Gilson & Lione

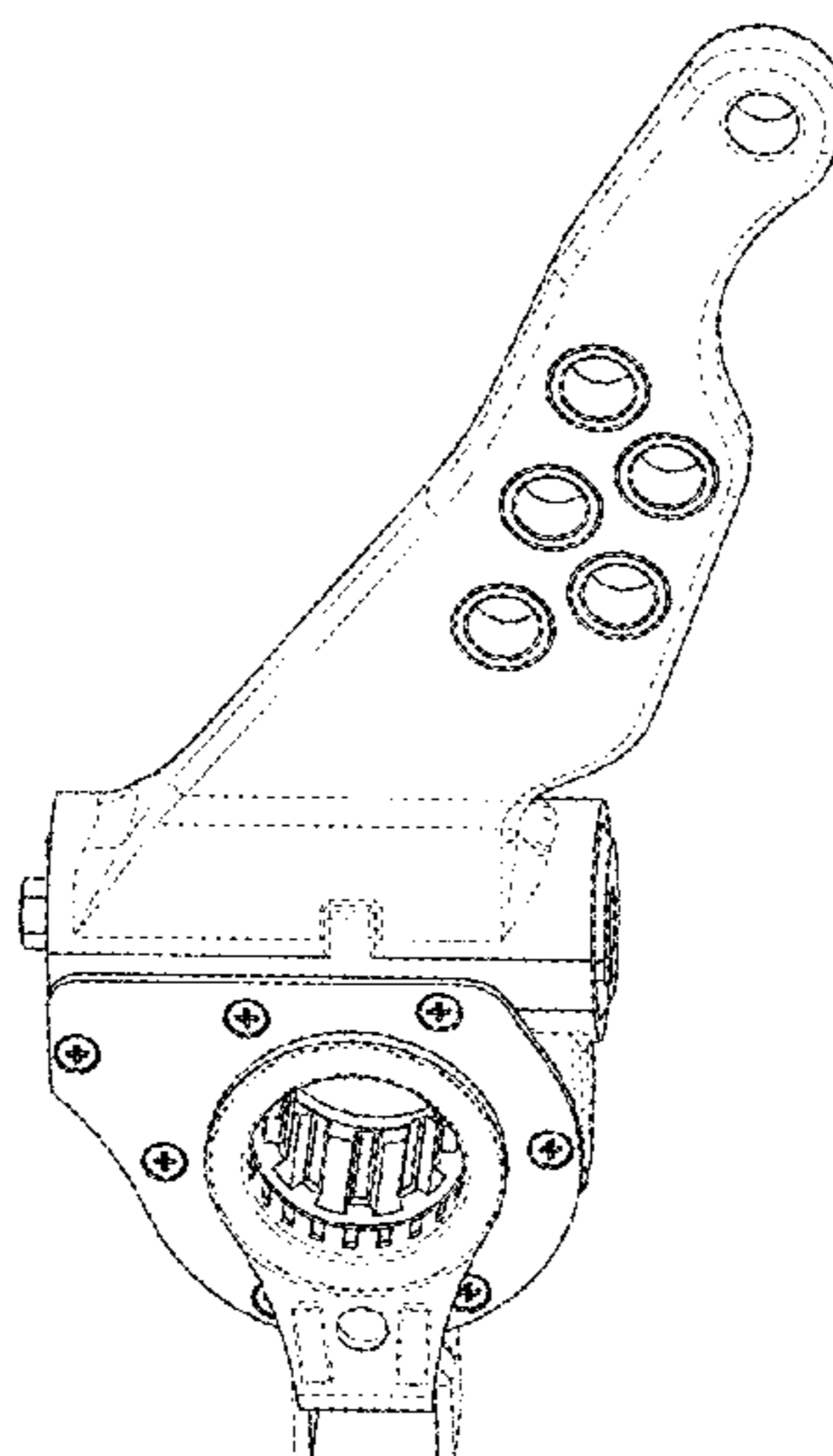
(57) **CLAIM**

The ornamental design for a slack adjuster, as shown and described.

DESCRIPTION

FIG. 1 is a first perspective view of the slack adjuster;
FIG. 2 is a second perspective view thereof;
FIG. 3 is a left side view thereof;
FIG. 4 is a right side view thereof;
FIG. 5 is a front view thereof;
FIG. 6 is a rear view thereof;
FIG. 7 is a top view thereof; and,
FIG. 8 is a bottom view thereof.

1 Claim, 7 Drawing Sheets



(56)

References Cited

U.S. PATENT DOCUMENTS

2010/0018812	A1*	1/2010	Louis	F16D 65/60 188/71.2
2010/0122878	A1*	5/2010	Louis	B60T 7/108 188/79.55
2011/0073422	A1*	3/2011	Li	F16D 65/60 188/196 BA
2014/0034427	A1*	2/2014	Seglo	F16D 66/025 188/1.11 W
2014/0216865	A1*	8/2014	Gripemark	F16D 65/60 188/79.55
2016/0017946	A1*	1/2016	Sandberg	F16D 65/18 188/71.8

* cited by examiner

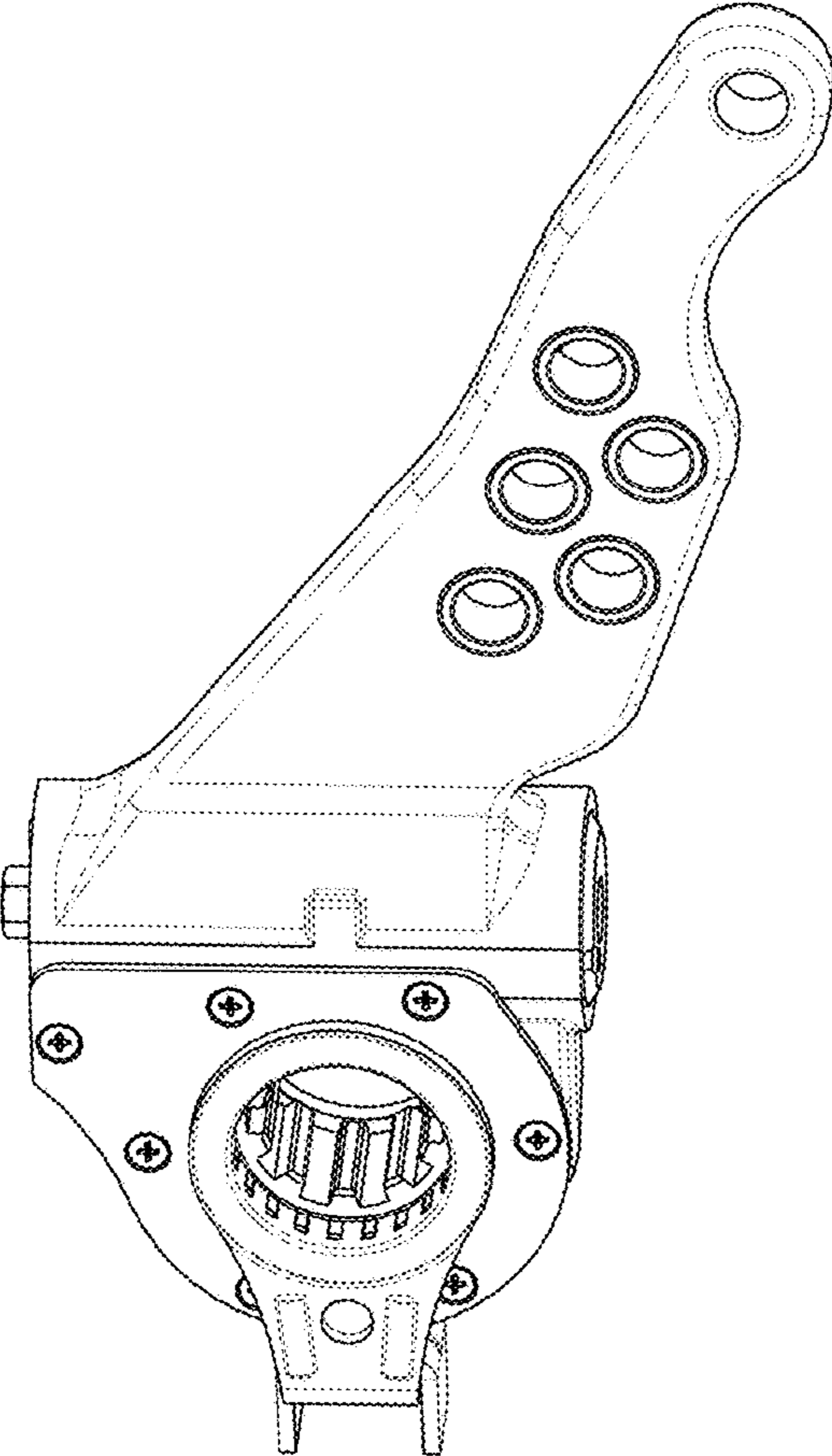


FIG-1

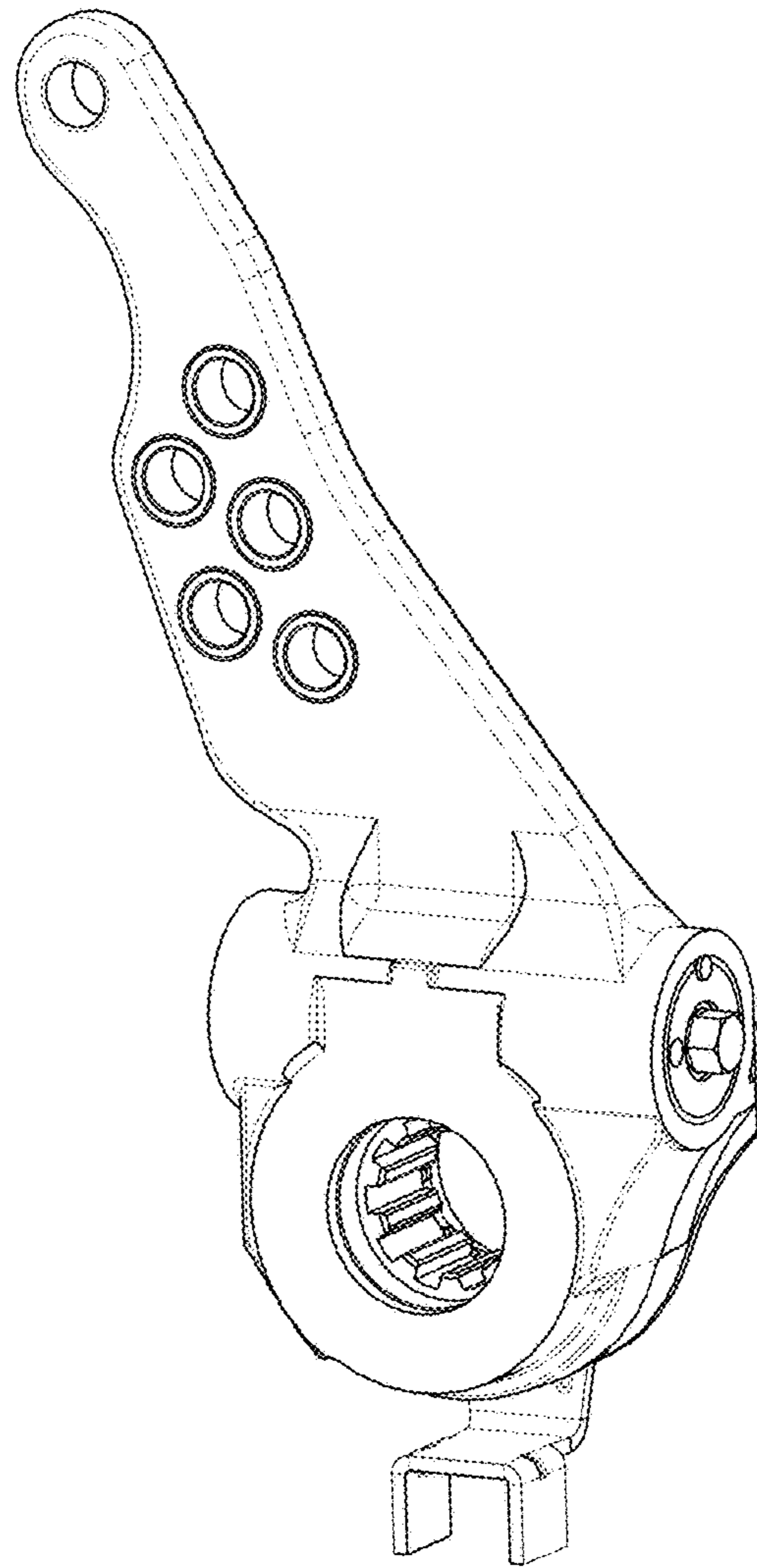


FIG-2

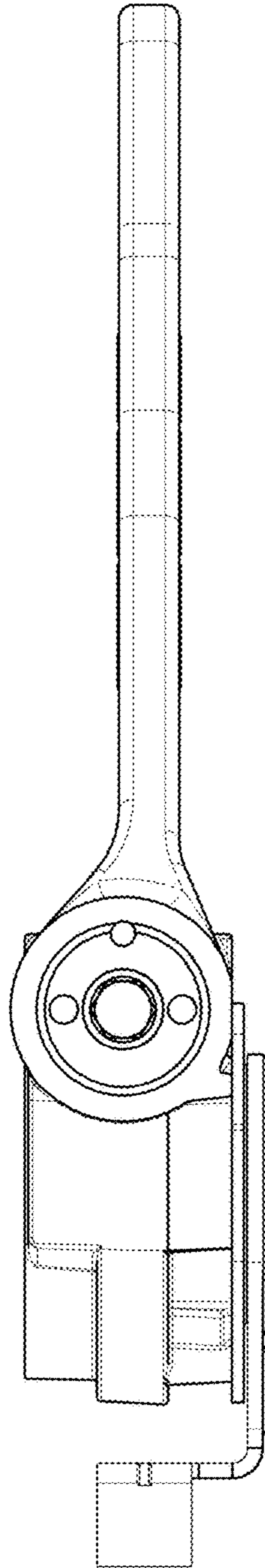


FIG-3

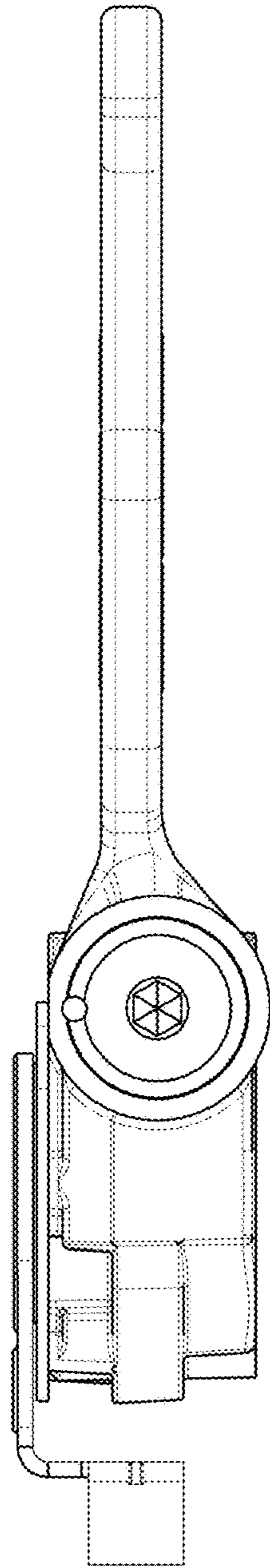


FIG-4

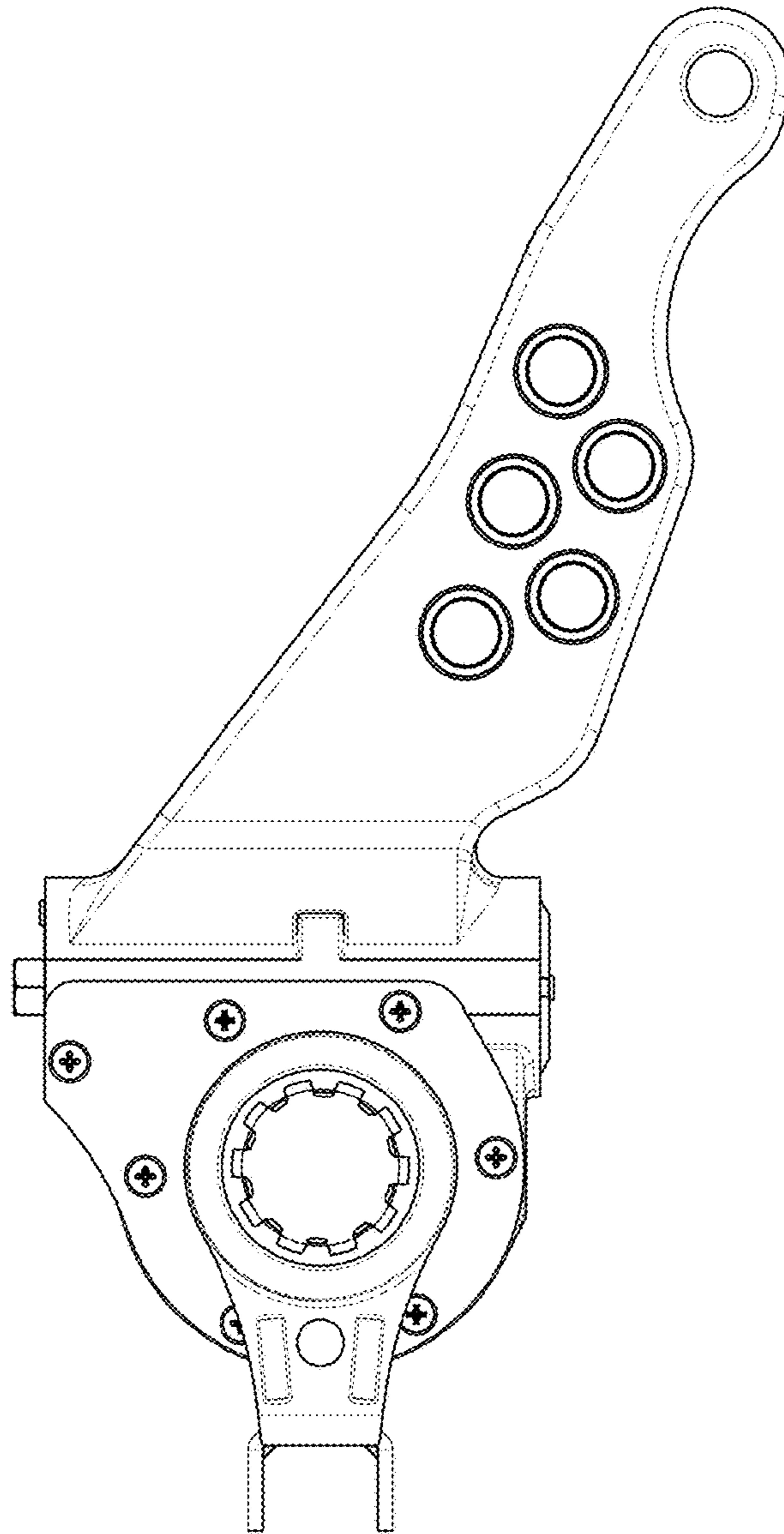


FIG-5

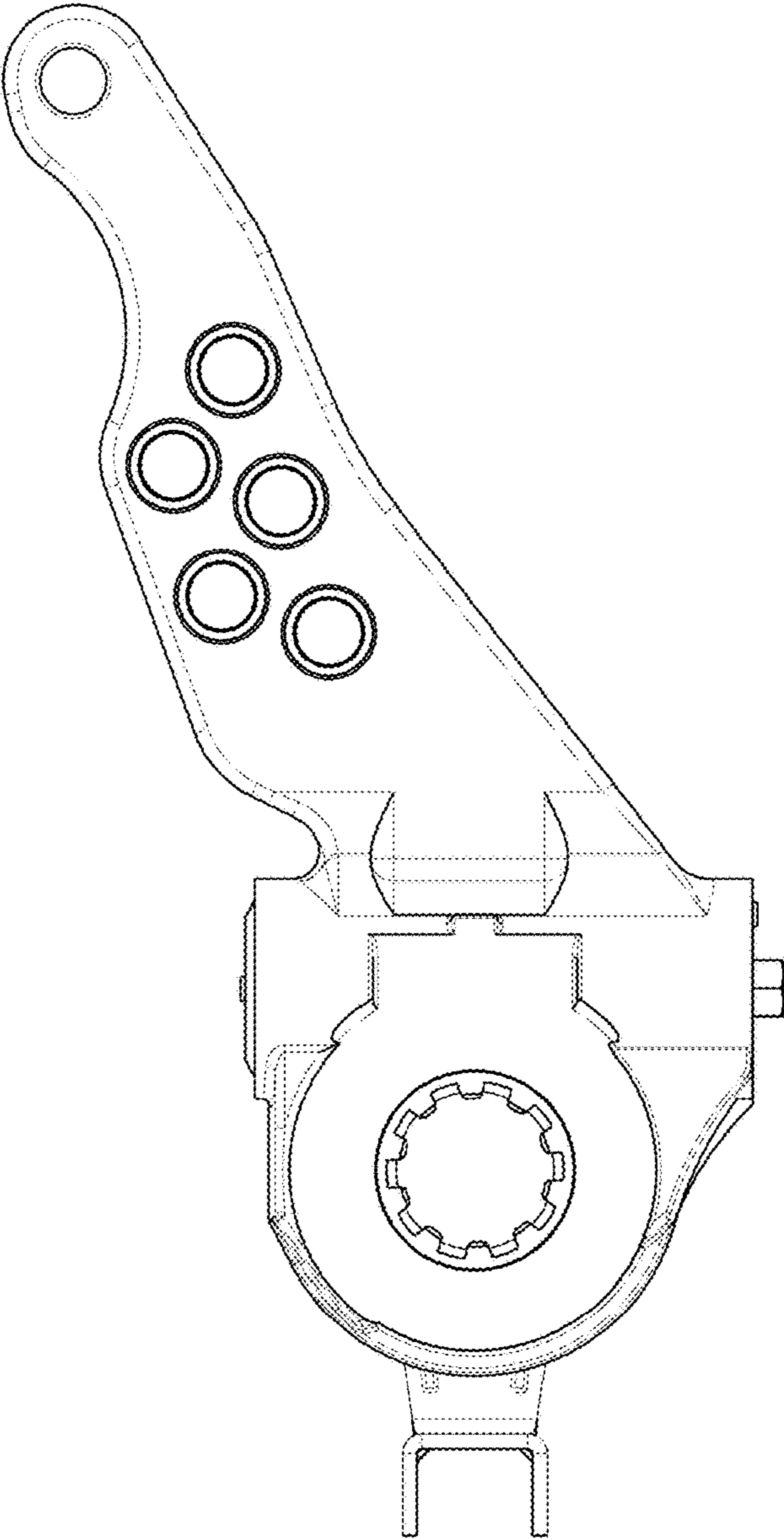


FIG-6

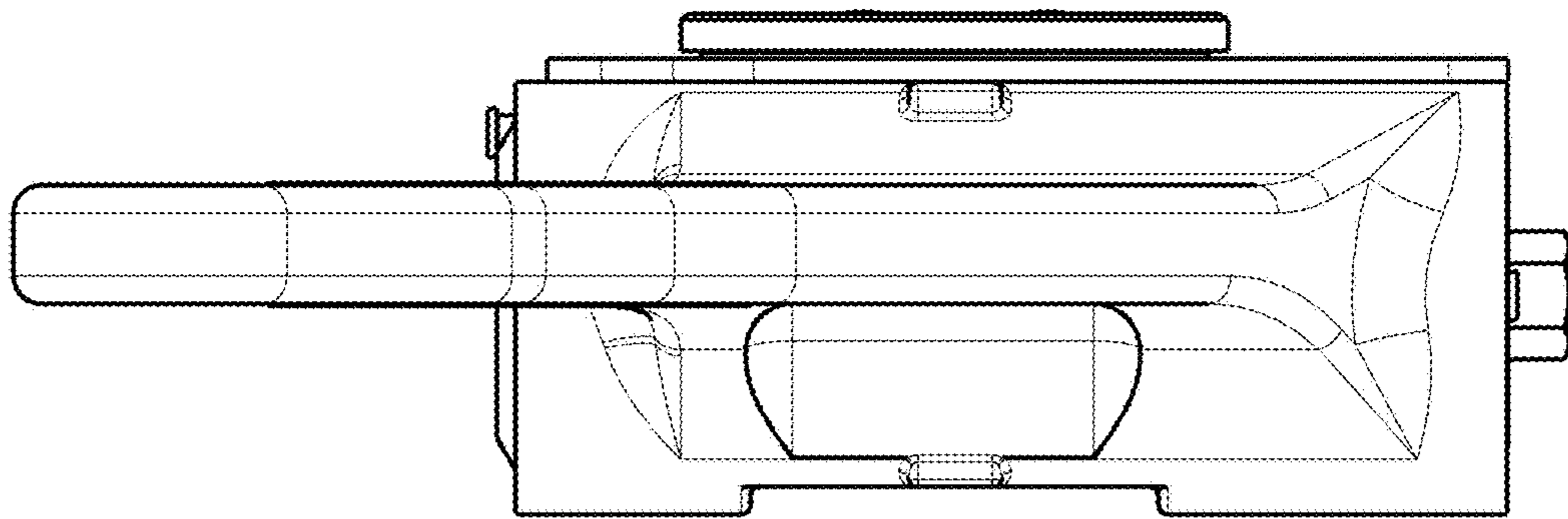


FIG-7

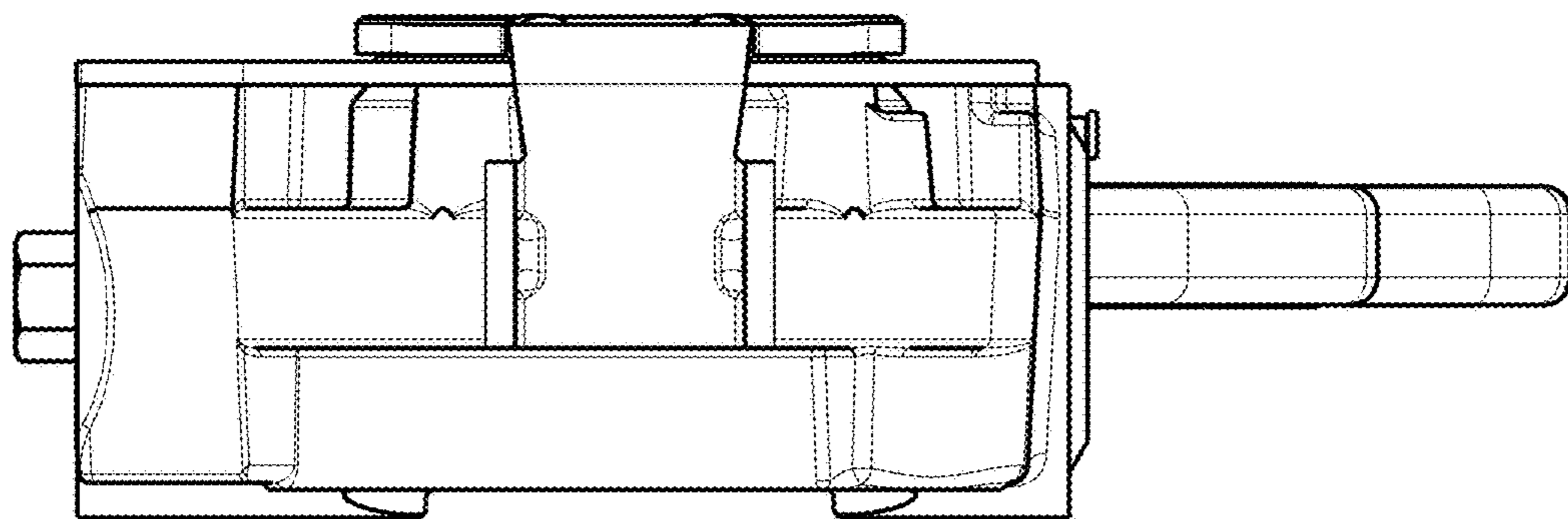


FIG-8