



US00D860890S

(12) **United States Design Patent**  
**Paranjothi**

(10) **Patent No.:** **US D860,890 S**

(45) **Date of Patent:** **\*\* Sep. 24, 2019**

- (54) **SLACK ADJUSTER**
- (71) Applicant: **WABCO India Limited**, Chennai (IN)
- (72) Inventor: **Rajasekar Paranjothi**, Pollachi (IN)
- (73) Assignee: **WABCO India Limited**, Chennai (IN)
- (\*\*) Term: **15 Years**
- (21) Appl. No.: **29/623,264**
- (22) Filed: **Oct. 24, 2017**
- (30) **Foreign Application Priority Data**  
  - Jun. 10, 2017 (IN) ..... 294573
- (51) **LOC (12) Cl.** ..... **12-16**
- (52) **U.S. Cl.**  
  - USPC ..... **D12/180**
- (58) **Field of Classification Search**  
  - USPC ..... D12/180
  - CPC ..... F16D 66/02; F16D 65/60

See application file for complete search history.

- 5,327,999 A \* 7/1994 Nelander ..... F16D 65/60  
188/196 BA
- 5,535,854 A \* 7/1996 Prince ..... F16D 65/60  
188/1.11 R
- 5,689,231 A \* 11/1997 Olson ..... B60Q 1/441  
116/208
- 6,390,244 B1 \* 5/2002 Sitter ..... F16D 66/00  
188/1.11 W
- 8,302,744 B2 \* 11/2012 Louis ..... F16D 65/60  
188/196 B
- 9,097,305 B2 \* 8/2015 Onnestam ..... F16D 65/60
- D770,343 S \* 11/2016 Hult ..... D12/180
- D770,344 S \* 11/2016 Hult ..... D12/180
- D770,345 S \* 11/2016 Hult ..... D12/180
- D770,346 S \* 11/2016 Hult ..... D12/180
- 10,197,123 B2 \* 2/2019 Drake ..... F16D 65/60
- 2005/0211506 A1 \* 9/2005 Painchaud ..... F16D 65/28  
184/104.1
- 2005/0274578 A1 \* 12/2005 Chadha ..... F16D 65/60  
188/71.9
- 2008/0000732 A1 \* 1/2008 Chen ..... F16D 49/16  
188/74

(Continued)

*Primary Examiner* — Kevin K Rudzinski  
(74) *Attorney, Agent, or Firm* — Brinks Gilson & Lione

(57) **CLAIM**

The ornamental design for a slack adjuster, as shown and described.

**DESCRIPTION**

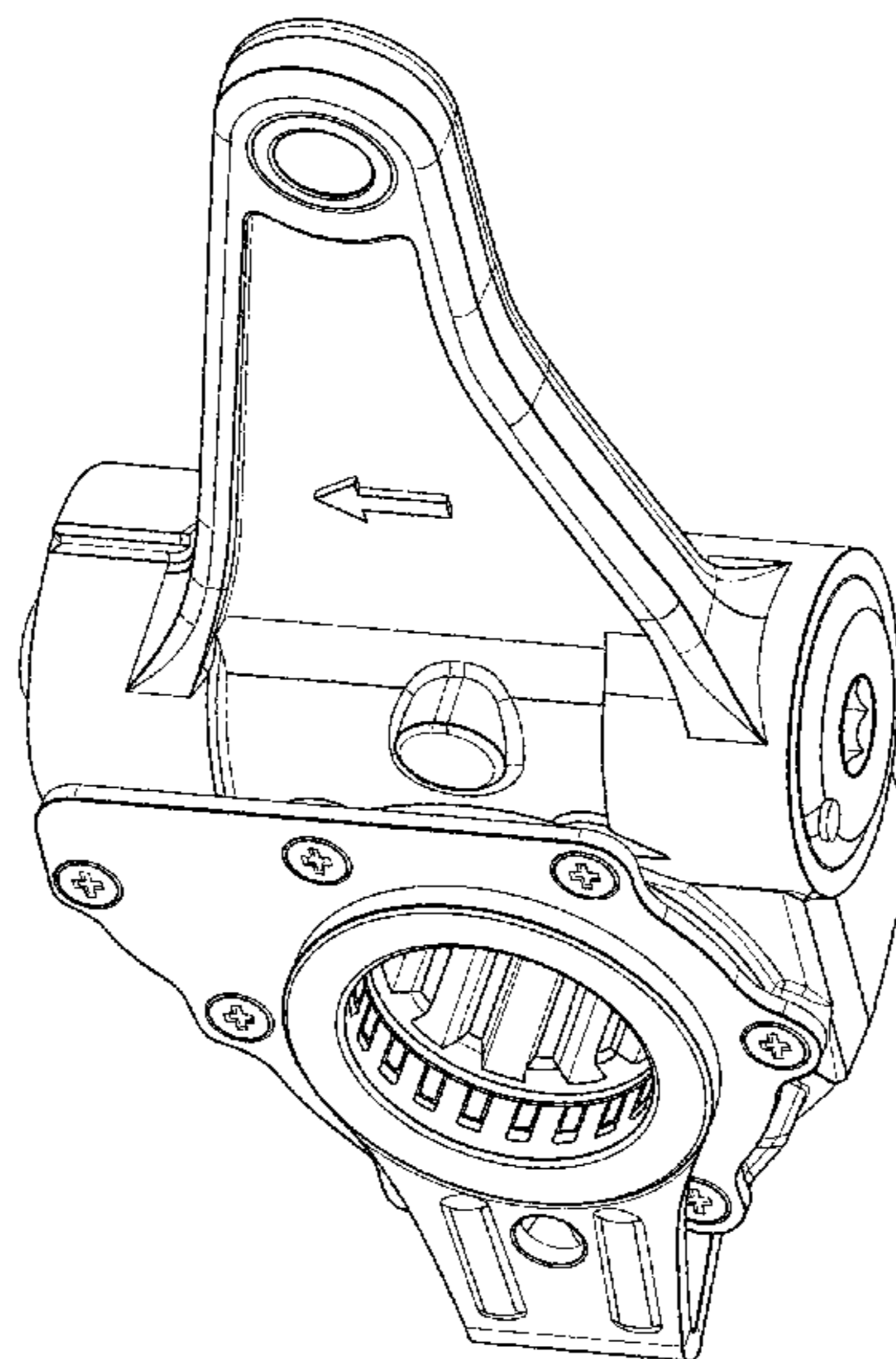
FIG. 1 is a first perspective view of the slack adjuster;  
FIG. 2 is a second perspective view thereof;  
FIG. 3 is a left side view thereof;  
FIG. 4 is a right side view thereof;  
FIG. 5 is a front view thereof;  
FIG. 6 is a rear view thereof;  
FIG. 7 is a top view thereof; and,  
FIG. 8 is a bottom view thereof.

**1 Claim, 6 Drawing Sheets**

(56) **References Cited**

**U.S. PATENT DOCUMENTS**

- 3,008,344 A \* 11/1961 Dracka ..... F16D 65/50  
74/522
- 4,798,265 A \* 1/1989 Gibas ..... B60T 17/221  
184/105.1
- 4,880,085 A \* 11/1989 Taylor ..... F16D 65/22  
188/79.55
- 4,895,226 A \* 1/1990 Berg ..... F16D 65/60  
188/79.51
- 5,052,527 A \* 10/1991 Stump ..... F16D 65/50  
188/196 M
- 5,069,315 A \* 12/1991 VanWeelden ..... F16D 65/42  
188/382
- 5,253,735 A \* 10/1993 Larson ..... B60T 17/22  
188/1.11 L



(56)

**References Cited**

U.S. PATENT DOCUMENTS

2010/0018812	A1*	1/2010	Louis	.....	F16D 65/60 188/71.2
2010/0122878	A1*	5/2010	Louis	.....	B60T 7/108 188/79.55
2011/0073422	A1*	3/2011	Li	.....	F16D 65/60 188/196 BA
2014/0034427	A1*	2/2014	Seglo	.....	F16D 66/025 188/1.11 W
2014/0216865	A1*	8/2014	Gripemark	.....	F16D 65/60 188/79.55
2016/0017946	A1*	1/2016	Sandberg	.....	F16D 65/18 188/71.8

\* cited by examiner

FIG. 1

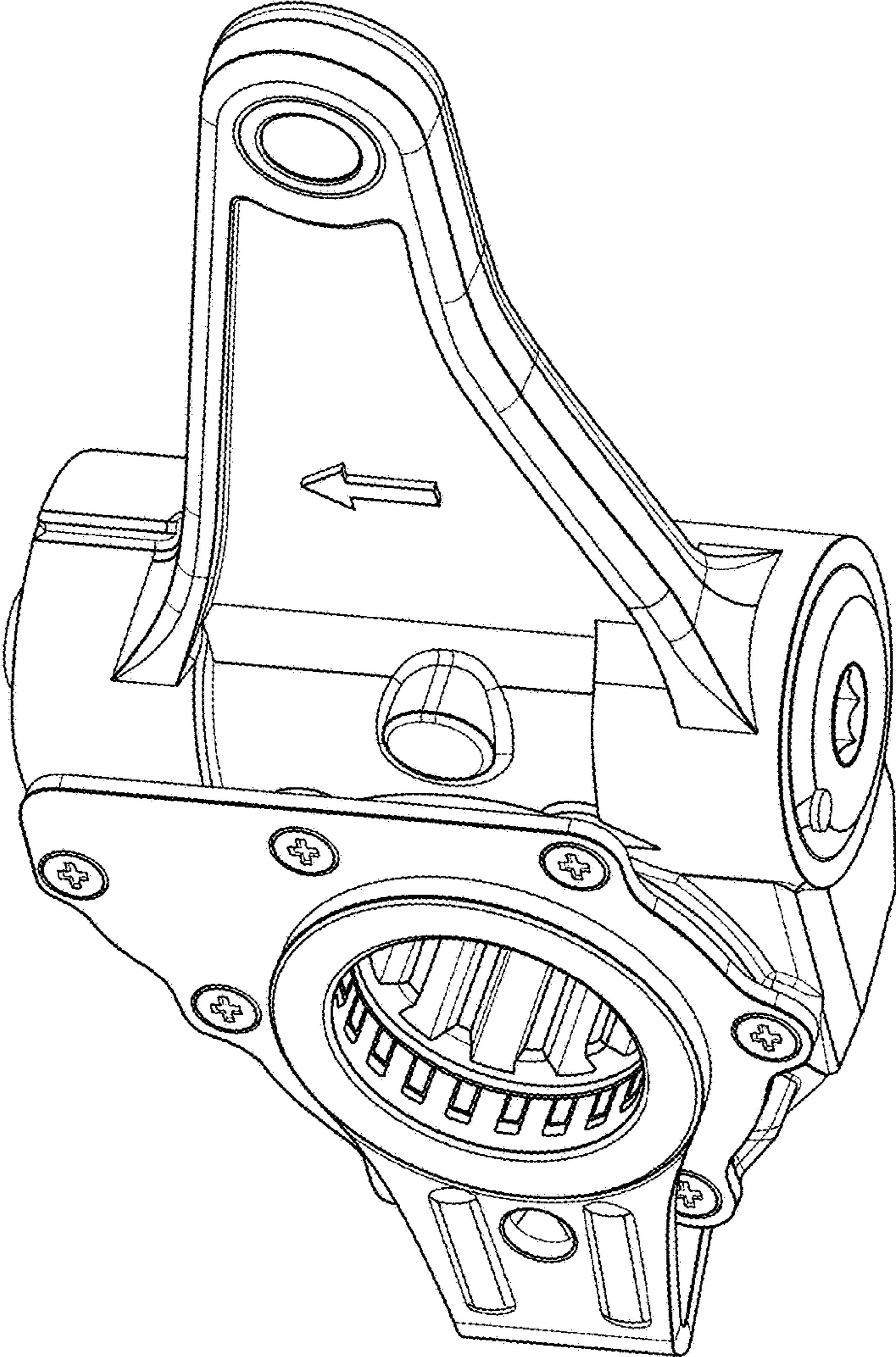


FIG. 2

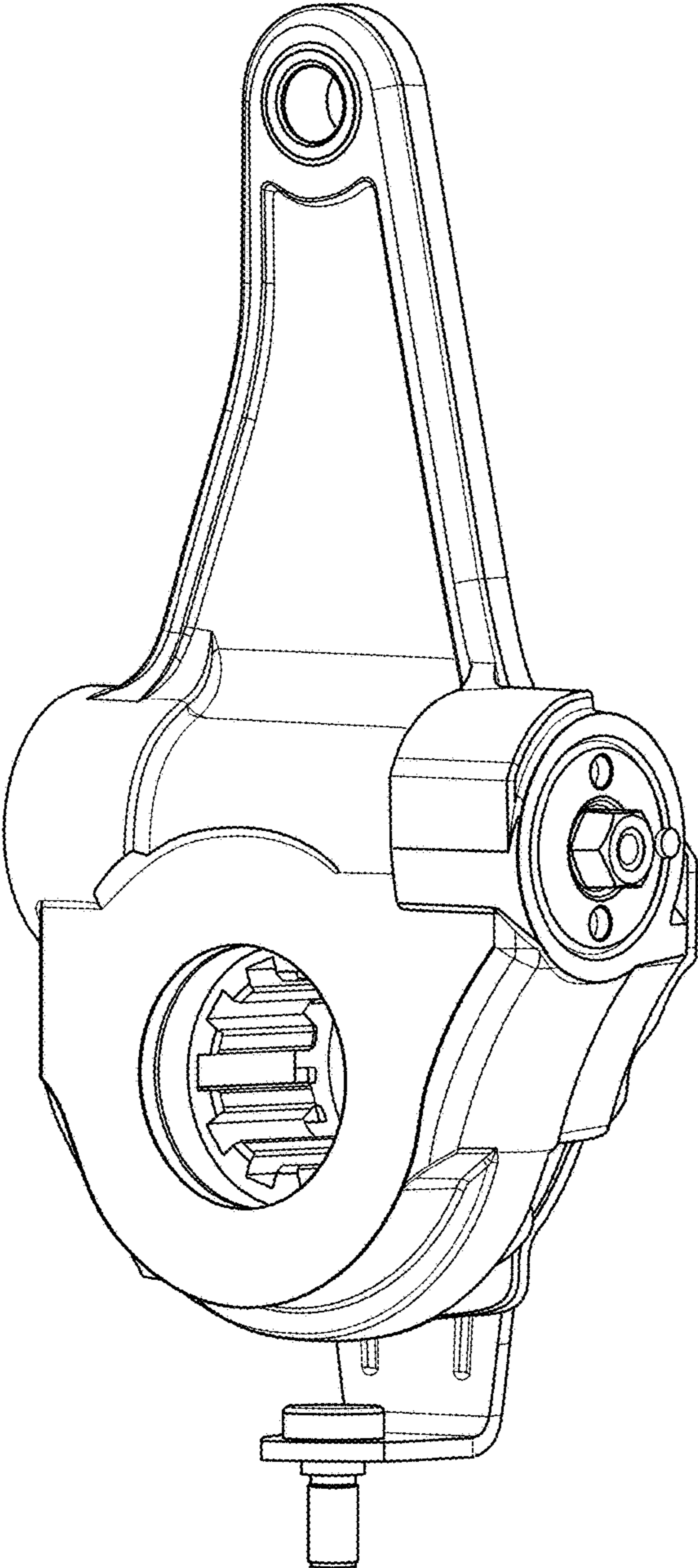


FIG. 3

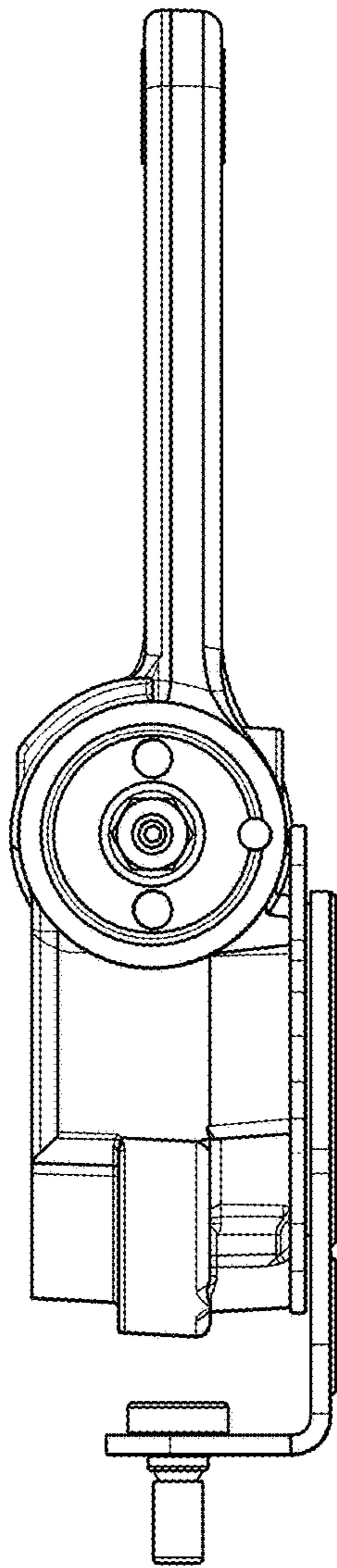


FIG. 4

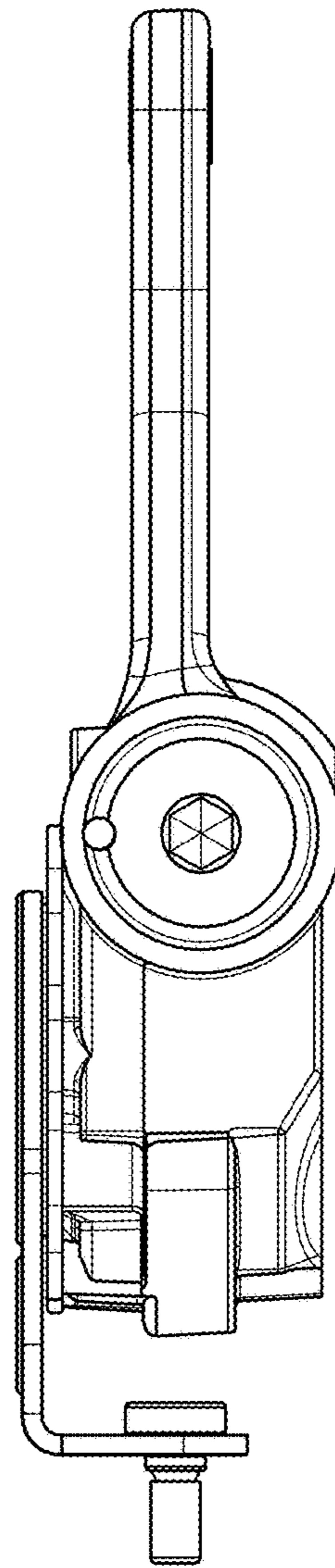


FIG. 5

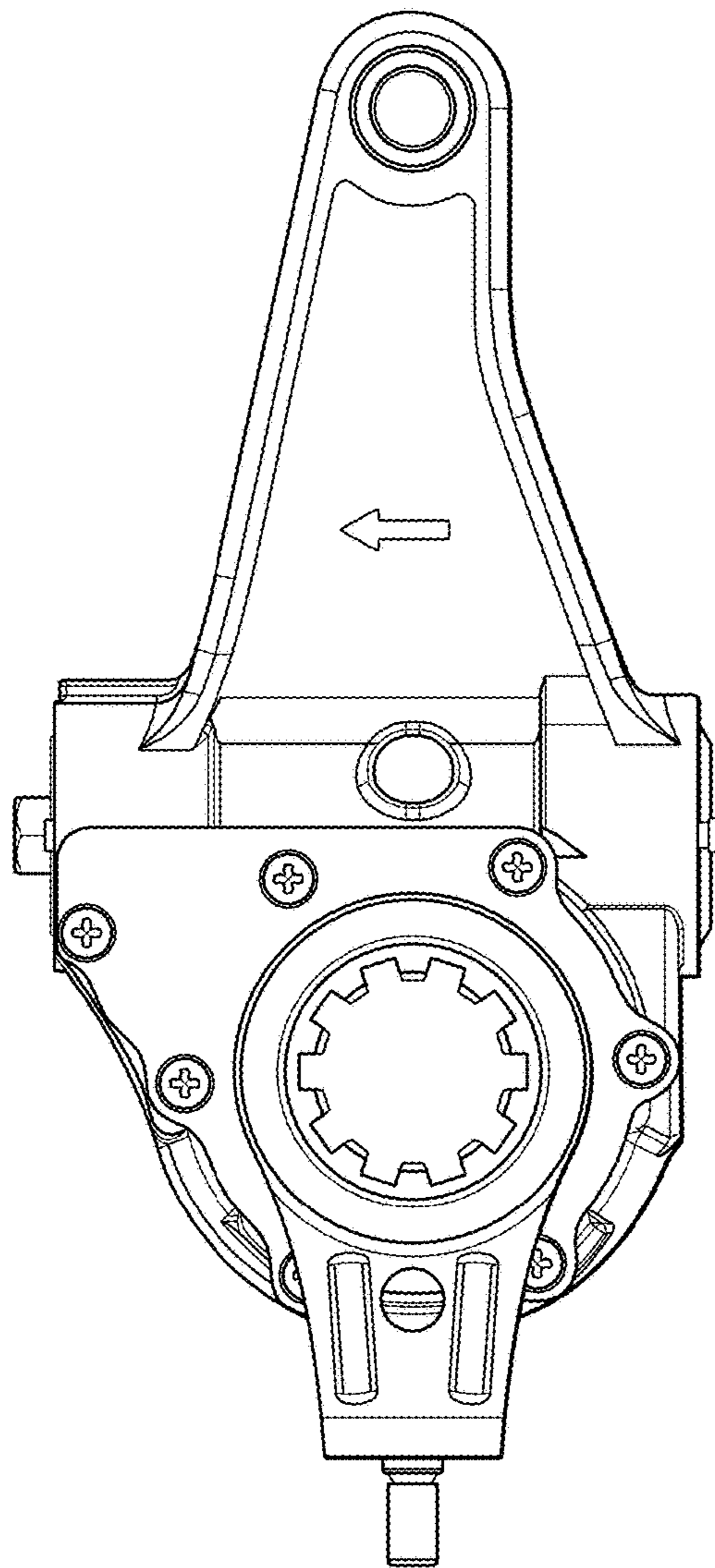


FIG. 6

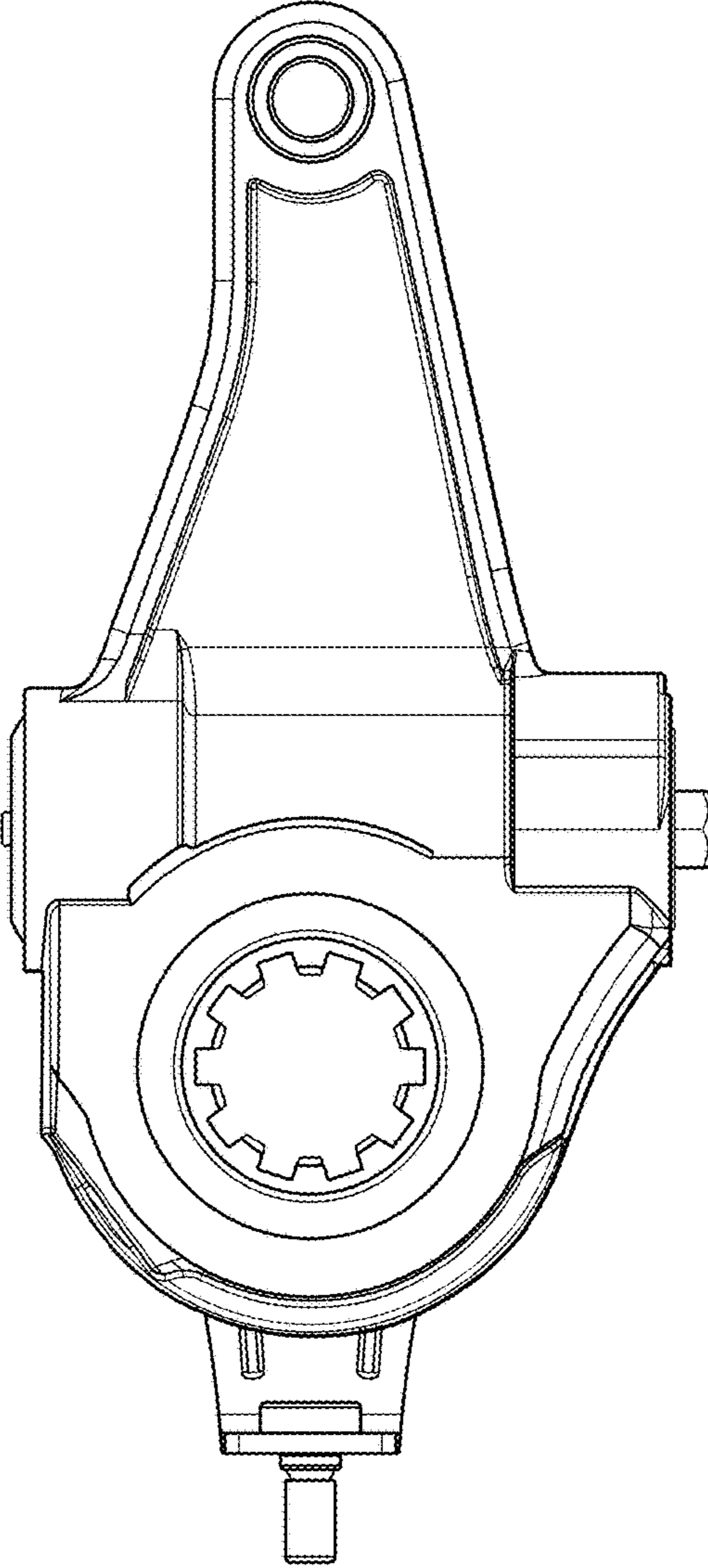


FIG. 7

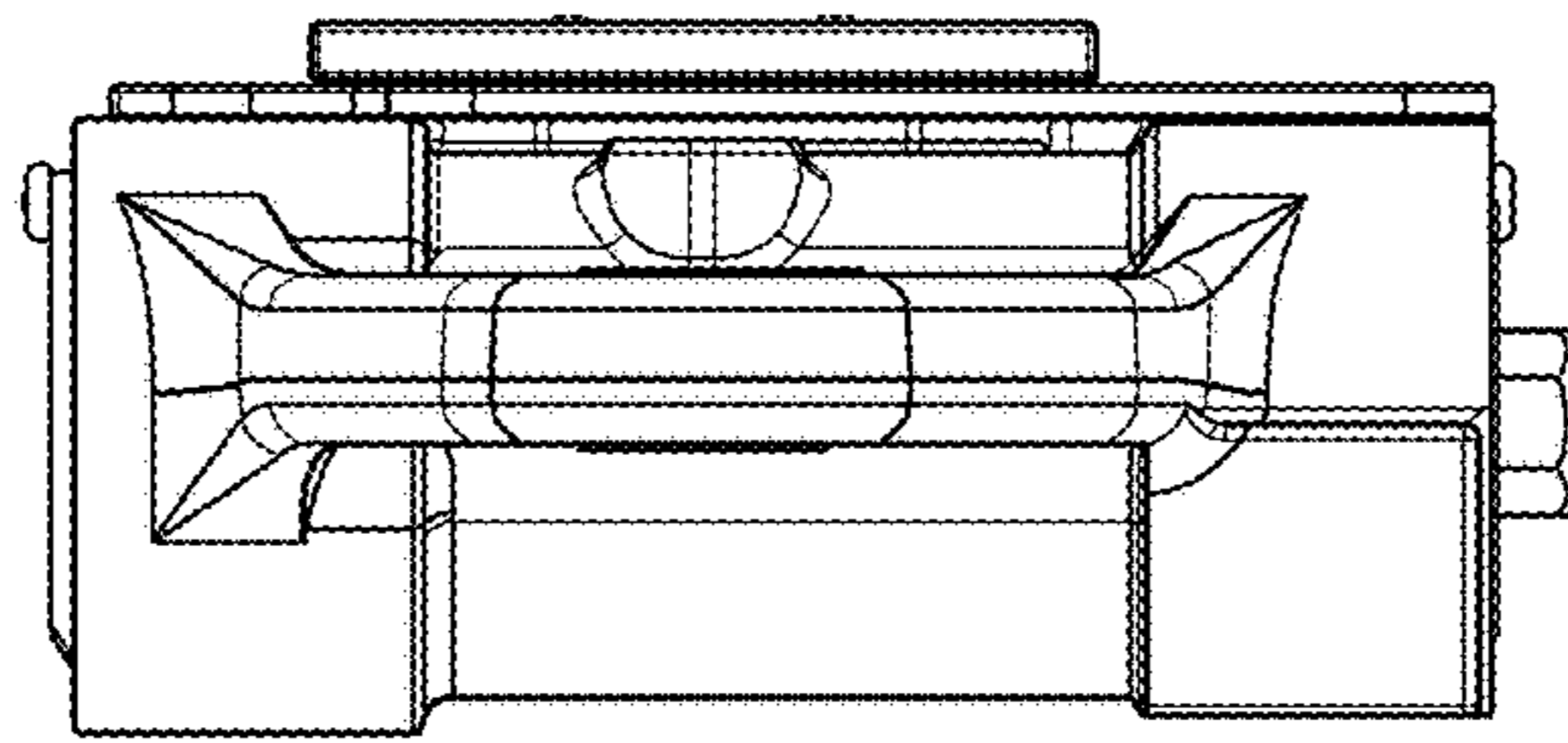


FIG. 8

